

## STORM POLLUTION PREVENTION PLAN

### 1. Fuel Oil Unloading

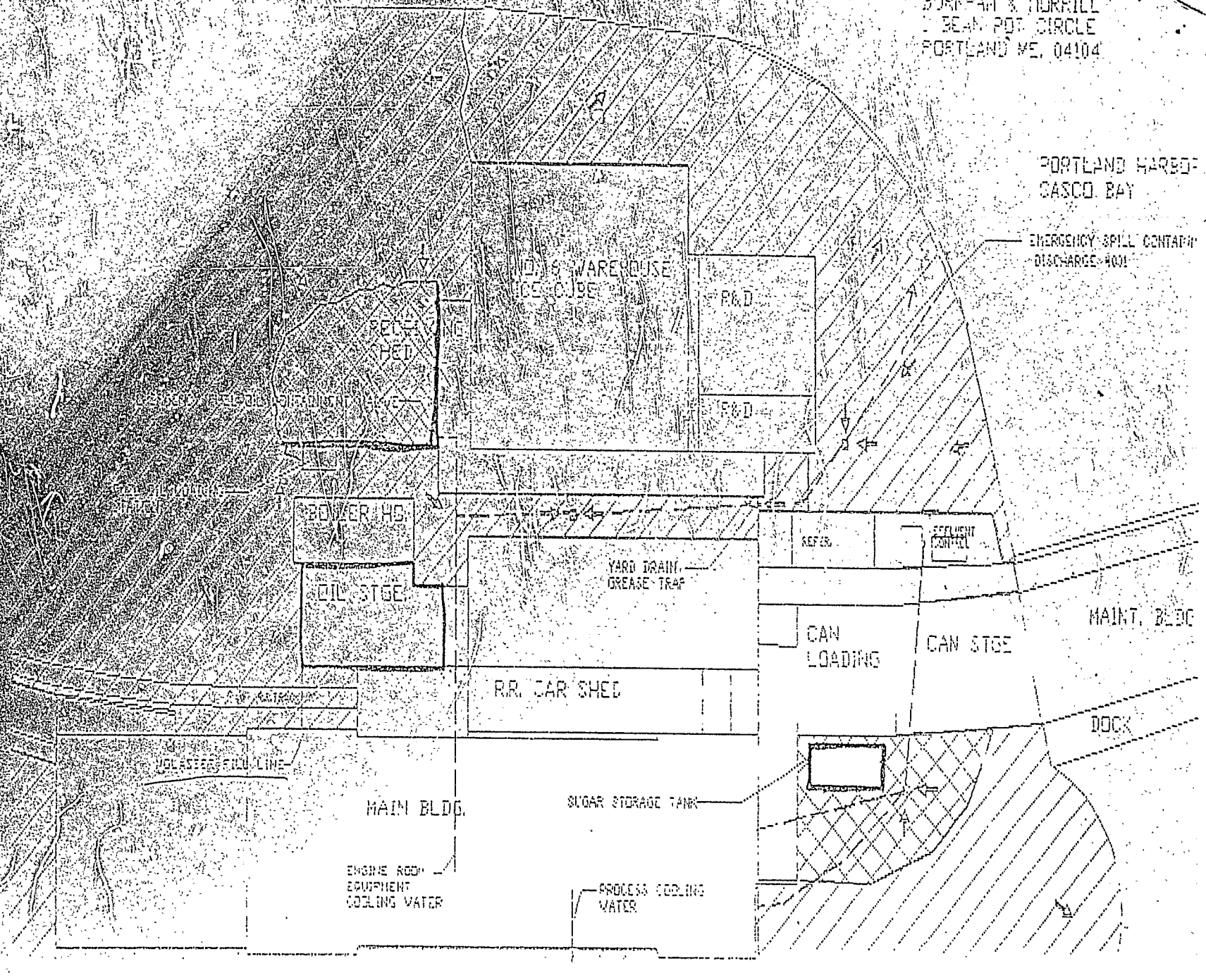
- A. Driver to stay with truck while unloading.
- B. Boiler Room Engineer to check tank level indicators while unloading to make sure proper tank is being filled.
- C. For significant spills:
  - 1. Knife valve at loading dock is to be closed to prevent oil from entering storm drains.
  - 2. Knife valve at end of dock to be closed to prevent discharge to bay.
  - 3. Plant Engineer to be notified.
  - 4. Maintenance Supervisor to be notified.
  - 5. Truck Driver to call his dispatcher.
- D. Tank Room should have floor area picked up at all times to prevent reduction of dike volume under tanks. Boiler Room Engineer leadman to inspect area once each month and log same.
- E. Yard Man to keep loading area knife valve clean of debris to prevent plugging valve.
- F. Overboard knife valve and loading dock knife valve inspected for free movement each month by Utility Engineer.
- G. Containment interceptor on yard drain line to overboard discharge knife valve will be inspected monthly by Utility Engineer. Pigs will be changed as needed.
- H. Plant Engineer will keep telephone list and call, as needed, Waste Cleanup Companies/
  - 1. Clean Harbors of Maine, Inc. Tel: 799-8111
  - 2. Jet-Line Services, Inc. Tel: 799-0850

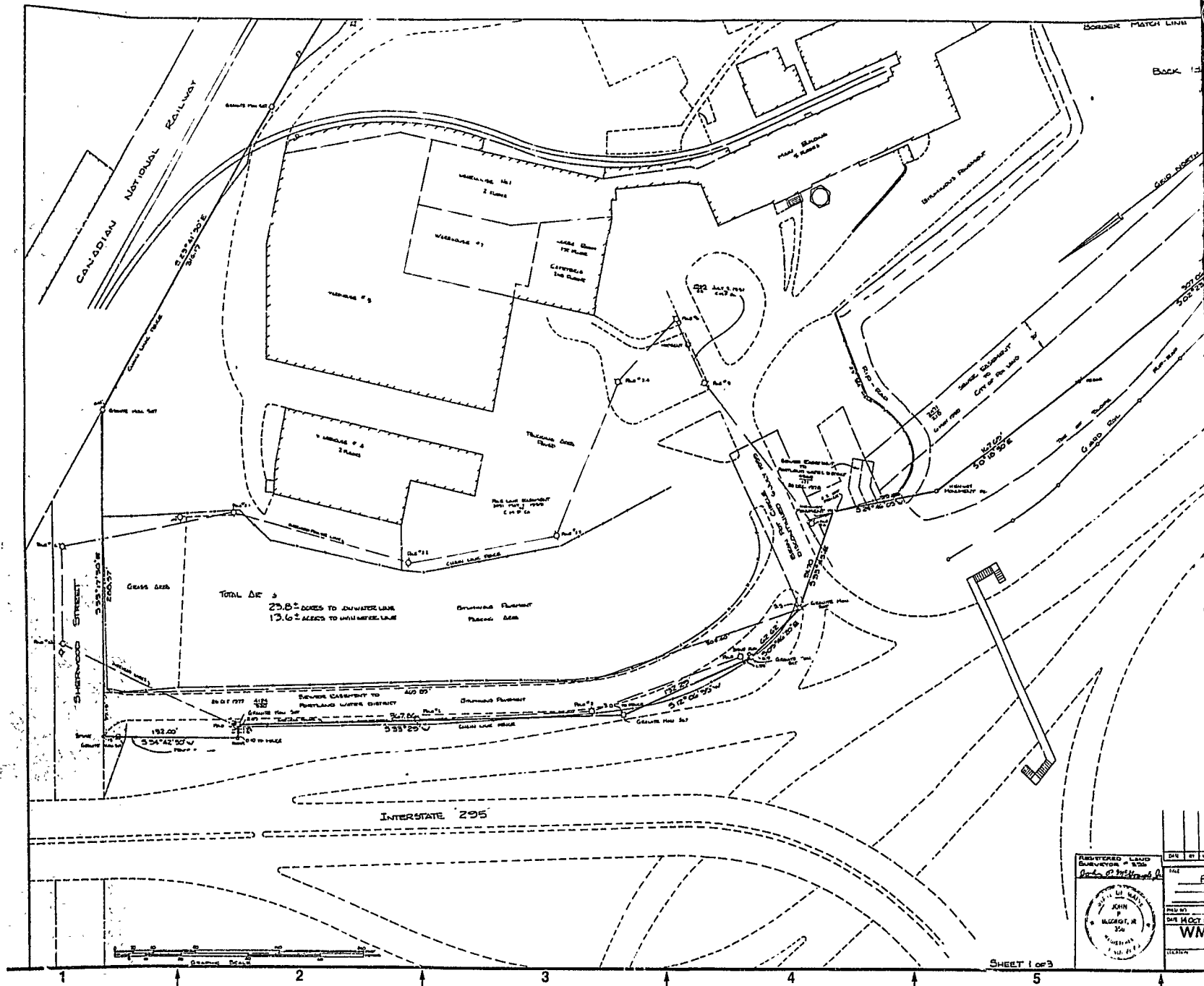


BURNHAM & MURKILL  
1 BEAN POT CIRCLE  
PORTLAND ME. 04104

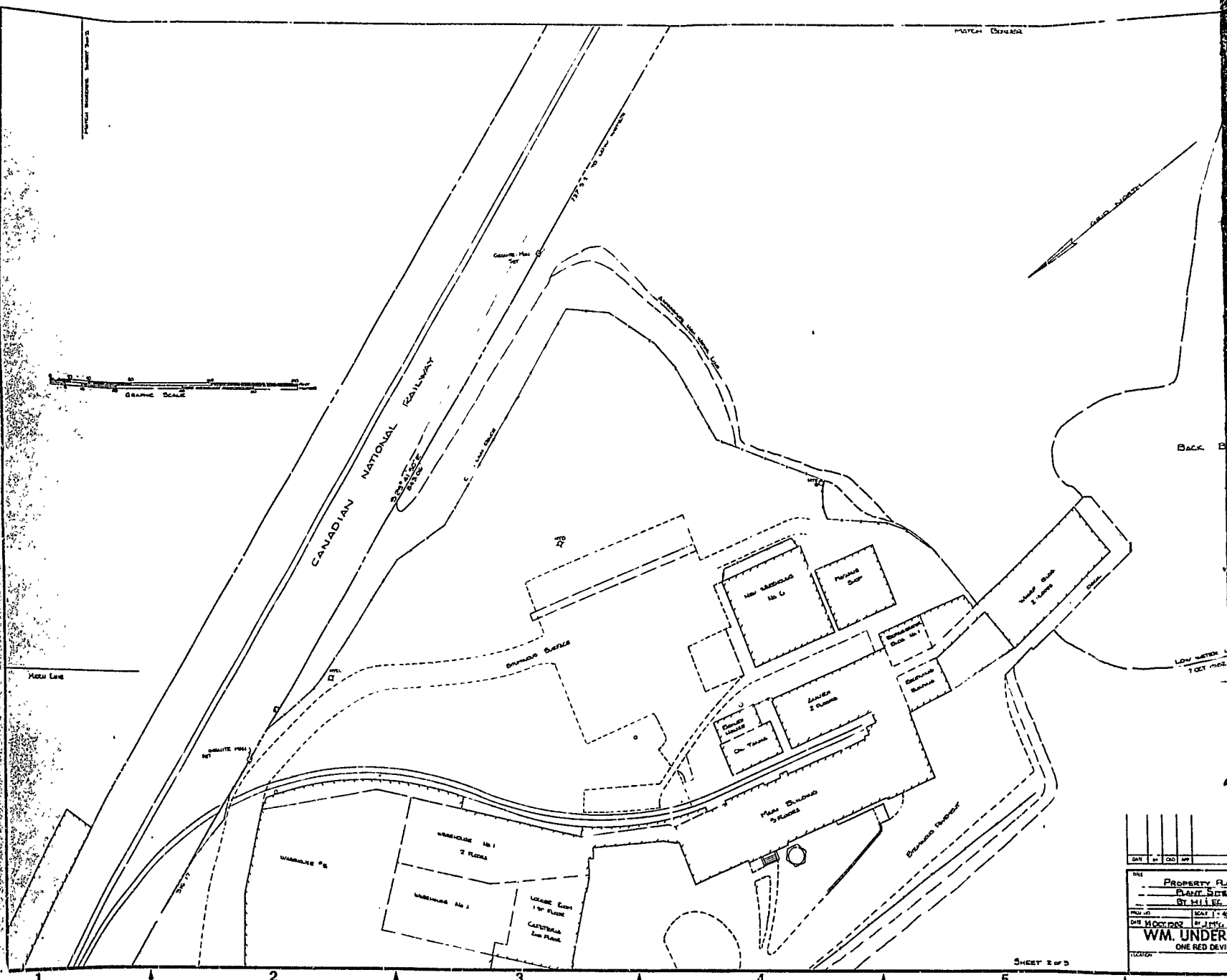
PORTLAND HARBOUR  
CASCO BAY

EMERGENCY SPILL CONTAINMENT  
DISCHARGE 4001





REGISTERED LAND SURVEYOR  
 JOHN P. MCGEE, JR.  
 356  
 W.M.

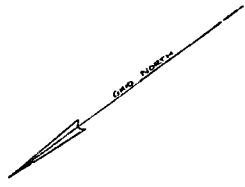


DATE	BY	NO.	REV.
THE PROPERTY PLAN DRAWN BY BY HILLIER PROJECT DATE 10 OCTOBER 1945 WM. UNDER ONE RED DEVIL			

SHEET 2 OF 3

1 2 3 4 5

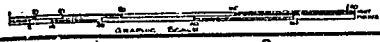




CASCO Bay

BUCK Bay

CANADIAN NATIONAL Railway  
S 25° 41' 30" E  
725 5' 7" to low water mark



1

2

3

4

MATCH BORDER SHEET 3 of 3

DATE	BY	APP'D
PROPERTY		
BY 1411		
DATE 14 OCT 1902		
WM. UNDERWOOD		
ONE RED		

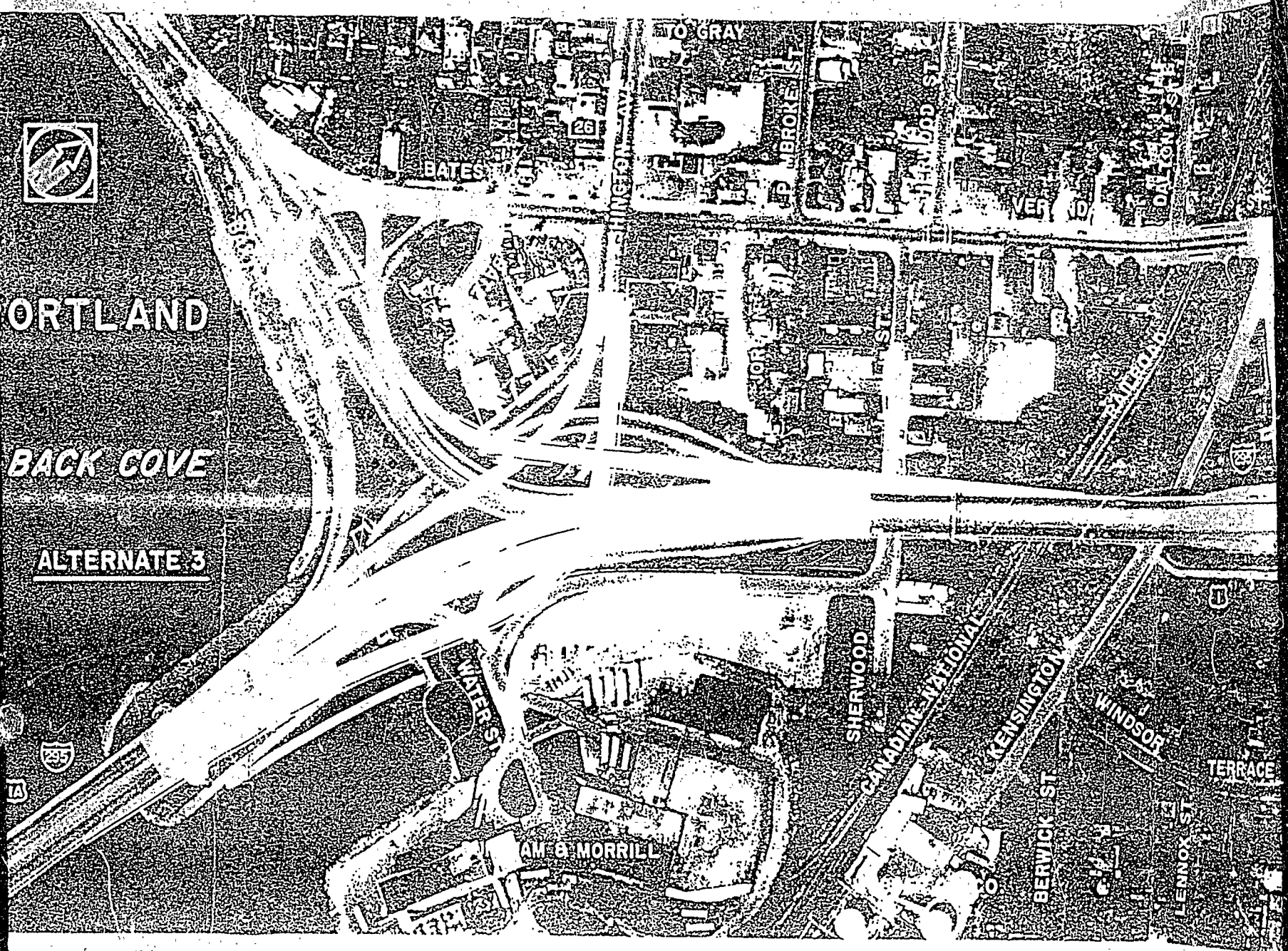




PORTLAND

BACK COVE

ALTERNATE 3



BATES

TO GRAY

M BROKE ST

SHERWOOD ST

VERNO

DALTON ST

WATER ST

SHERWOOD

CALABINE NATIONAL

KENSINGTON

WINDSOR

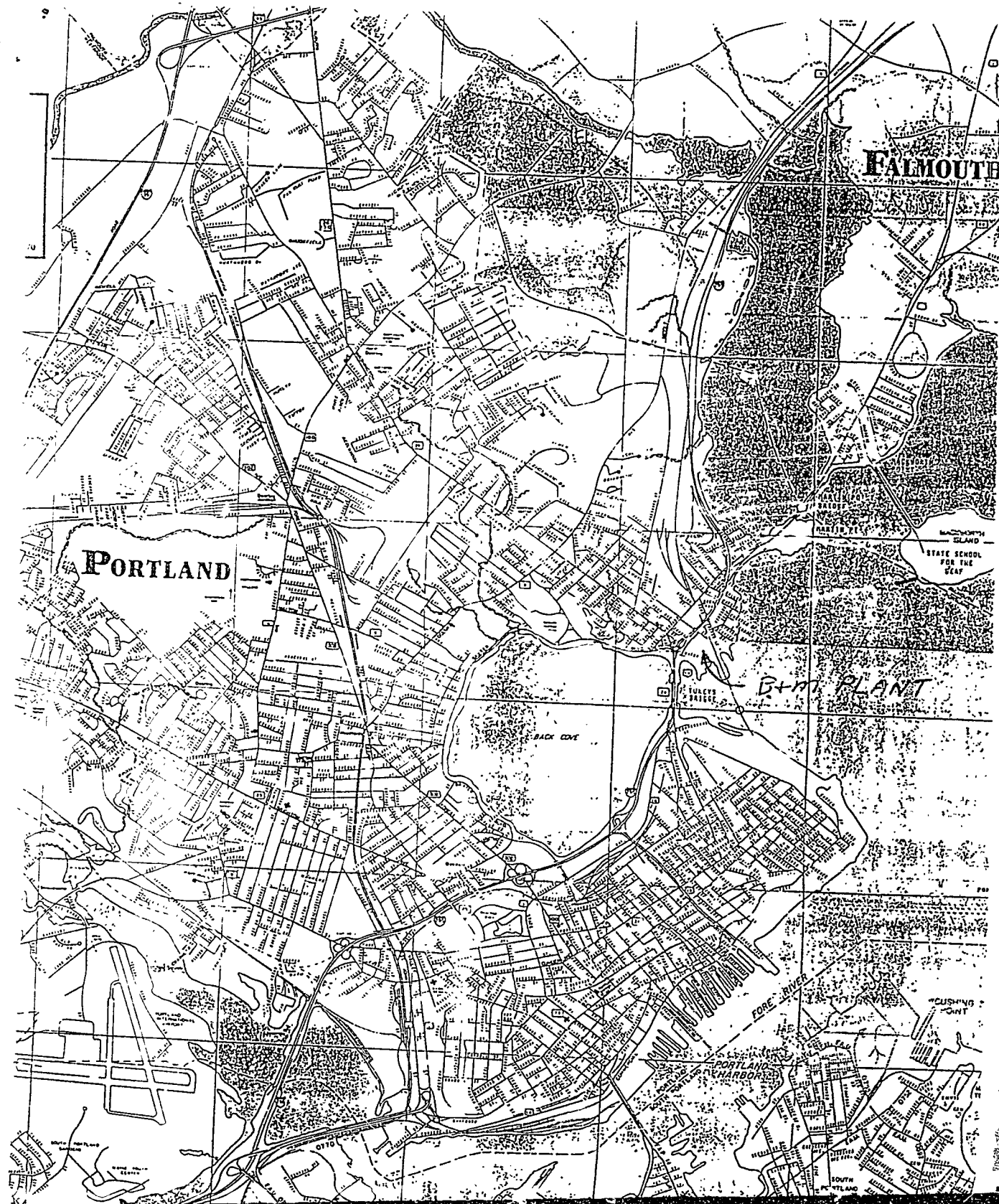
BERVICK ST

LENOX ST

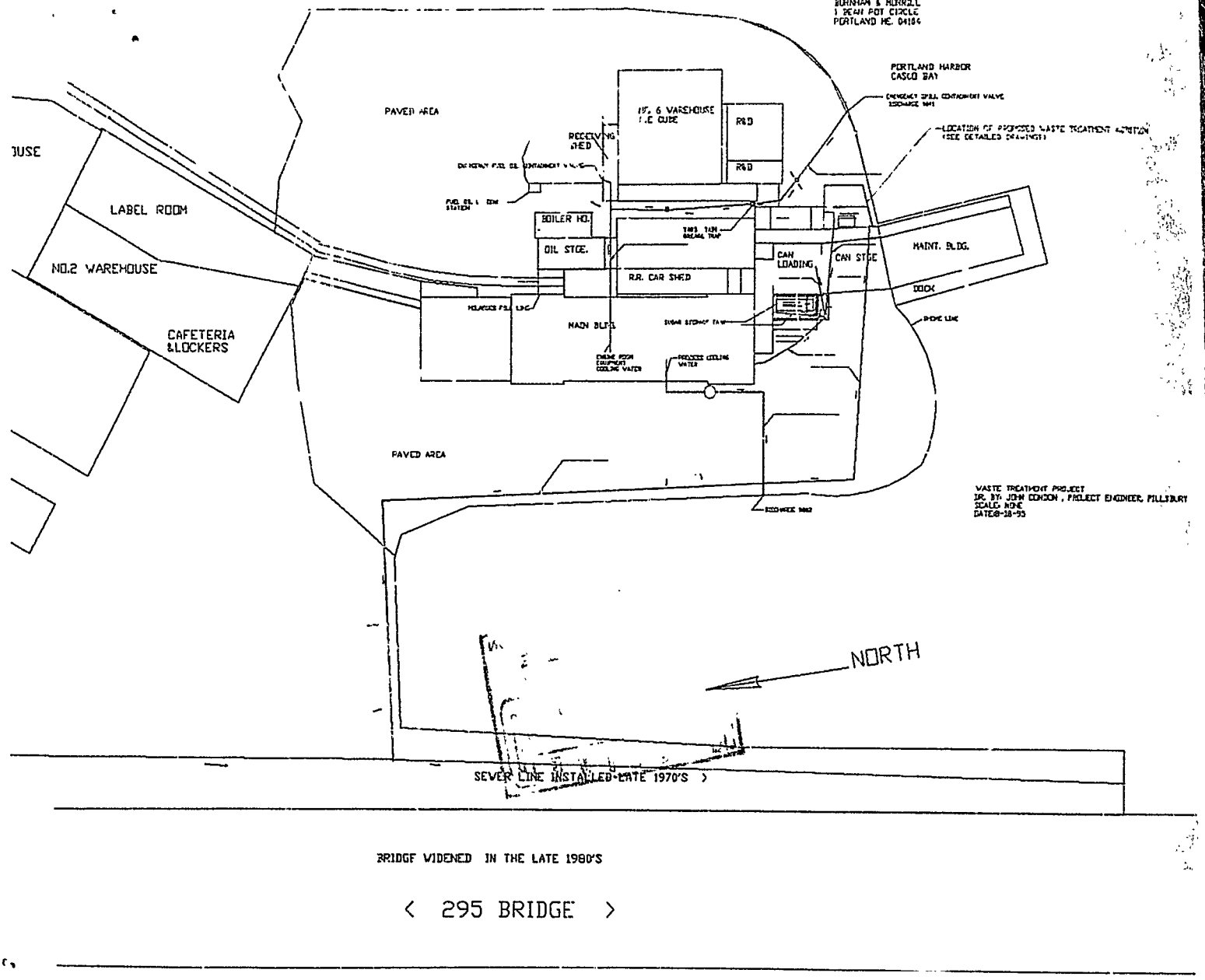
TERRACE

AM B MORRILL





FED. # JP325-4E1001741  
H-DENR-00259-87-00-R  
BURNHAM & MERRILL  
1 BEAH POT CIRCLE  
PORTLAND ME. 04106



WASTE TREATMENT PROJECT  
DR. BY JOHN CONDON, PROJECT ENGINEER, MILLBURY  
SCALE: NONE  
DATE: 12-93



**CITY OF PORTLAND, MAINE  
DEVELOPMENT REVIEW APPLICATION  
PLANNING DEPARTMENT PROCESSING FORM**

I. D. Number \_\_\_\_\_

Address: \_\_\_\_\_

Applicant Fillbury Company  
1 Bean Pot Circle  
Portland

02 June 1996  
Application Date  
U & B

Applicant's Mailing Address  
John Topman X269

Project Name/Description  
1 Bean Pot Circle

Consultant/Agent  
John Condon - 772-8341 x224

Address of Proposed Site  
447-A-001

Applicant or Agent Daytime Telephone, Fax

Assessor's Reference: Chart-Block-Lot

Proposed Development (check all that apply):  
 New Building  Building Addition  Change of Use  Residential  
 Office  Retail  Manufacturing  Warehouse/Distribution  Other (specify) \_\_\_\_\_  
560 Sq Ft 13.8 Acres

Proposed Building Square Feet or # of Units \_\_\_\_\_ Acreage of Site \_\_\_\_\_ Zoning \_\_\_\_\_

**Check Review Required:**

- |   |  |  |  |
|---|--|--|--|
| <input checked="" type="checkbox"/> Site Plan (major/minor) | <input type="checkbox"/> Subdivision # of lots _____ | <input type="checkbox"/> PAD Review            | <input type="checkbox"/> 14-403 Streets Review   |
| <input type="checkbox"/> Flood Hazard                       | <input type="checkbox"/> Shoreland                   | <input type="checkbox"/> Historic Preservation | <input type="checkbox"/> DEP Local Certification |
| <input type="checkbox"/> Zoning Conditional Use (ZBA/PB)    | <input type="checkbox"/> Zoning Variance             | <input type="checkbox"/> Single-Family Minor   | <input type="checkbox"/> Other _____             |

Fees paid: site plan \$90.00 subdivision \_\_\_\_\_

**Approval Status:**

Reviewer Kandi Talbot

- Approved  Approved w/Conditions listed below  Denied

1. \_\_\_\_\_
2. \_\_\_\_\_
3. \_\_\_\_\_
4. \_\_\_\_\_

Approval Date 6/26/96 Approval Expiration 7/26/96 Extension to \_\_\_\_\_ date date  Additional Sheets Attached

Condition Compliance \_\_\_\_\_ signature \_\_\_\_\_ date \_\_\_\_\_

Performance Guarantee  Required\*  Not Required

\* No building permit may be issued until a performance guarantee has been submitted as indicated below

- |   |   |
|---|---|
| <input type="checkbox"/> Performance Guarantee Accepted | _____ date _____ amount _____ expiration date _____           |
| <input type="checkbox"/> Inspection Fee Paid            | _____ date _____ amount _____                                 |
| Performance Guarantee Reduced                           | _____ date _____ remaining balance _____ signature _____      |
| Performance Guarantee Released                          | _____ date _____ signature _____                              |
| Defect Guarantee Submitted                              | _____ submitted date _____ amount _____ expiration date _____ |
| Defect Guarantee Released                               | _____ date _____ signature _____                              |

Pink - Building Inspections Blue - Development Review Coordinator Green - Fire Yellow - Planning 2/9/95 Rev5 KT.DPUD

Applicant: John Candan  
Address: 1 Bear pt Circle  
Assessors No.: 447-A-001

Date: 6/27/96

CHECK LIST AGAINST ZONING ORDINANCE

Date - exists  
Zone Location - I-2  
Interior or corner lot -  
Use - New 560<sup>sq</sup> addition to waste treatment Bldg  
Sewage Disposal - City  
Rear Yards - 18' req - N/A  
Side Yards - 18' req - 25' + shown  
Front Yards - 25' req - 25' + shown  
Projections -  
Height - 1 story - 18' high - max 45'  
Lot Area -  
Building Area -  
Area per Family -  
Width of Lot -  
Lot Frontage -  
Off-street Parking -  
Loading Bays -  
Site Plan - not  
Shoreland Zoning - yes - within but over 75' to high water  
Flood Plains - N/A





JOHN CONDON  
PROJECT ENGINEER  
SPECIALTY BRANDS  
B&M

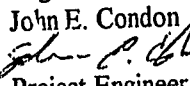
### CONSTRUCTION PLAN OUTLINE

- The east wall of the existing waste treatment building wall be removed .
- The excavating will be done to commodata the footings and foundation walls of the new structure.
- Concrete walls with door opening will be constructed using 8" blocks with required reinforcement.
- Roof support columns and beams with required footings will be installed see attached prints for details.
- Roof to be constructed of steel edge creteplank 2" thick x 15" wide x 120" long cover with 2" of insulation and topped with a rubber roofing.
- Floor to be of concrete minimum of 4" slope to existing floor drain to waste treatment pit.
- install both doors the 9' x 9' overhead door and the 3' x 6'8" man door.
- Finish exterior of building addition with block primer than coat with white exterior grade paint.
- Finish interior with block primer than coat with white epoxy paint.
- See attached construction drawing for details.
- The project is planned to start construction on June 27, 1996 and be completed on July 31, 1996.

If you have any question regarding the inclosed information please feel free to contacted me at the Burnham and Morrill plant a Div. of the Pillsbury Company in Portland Me.

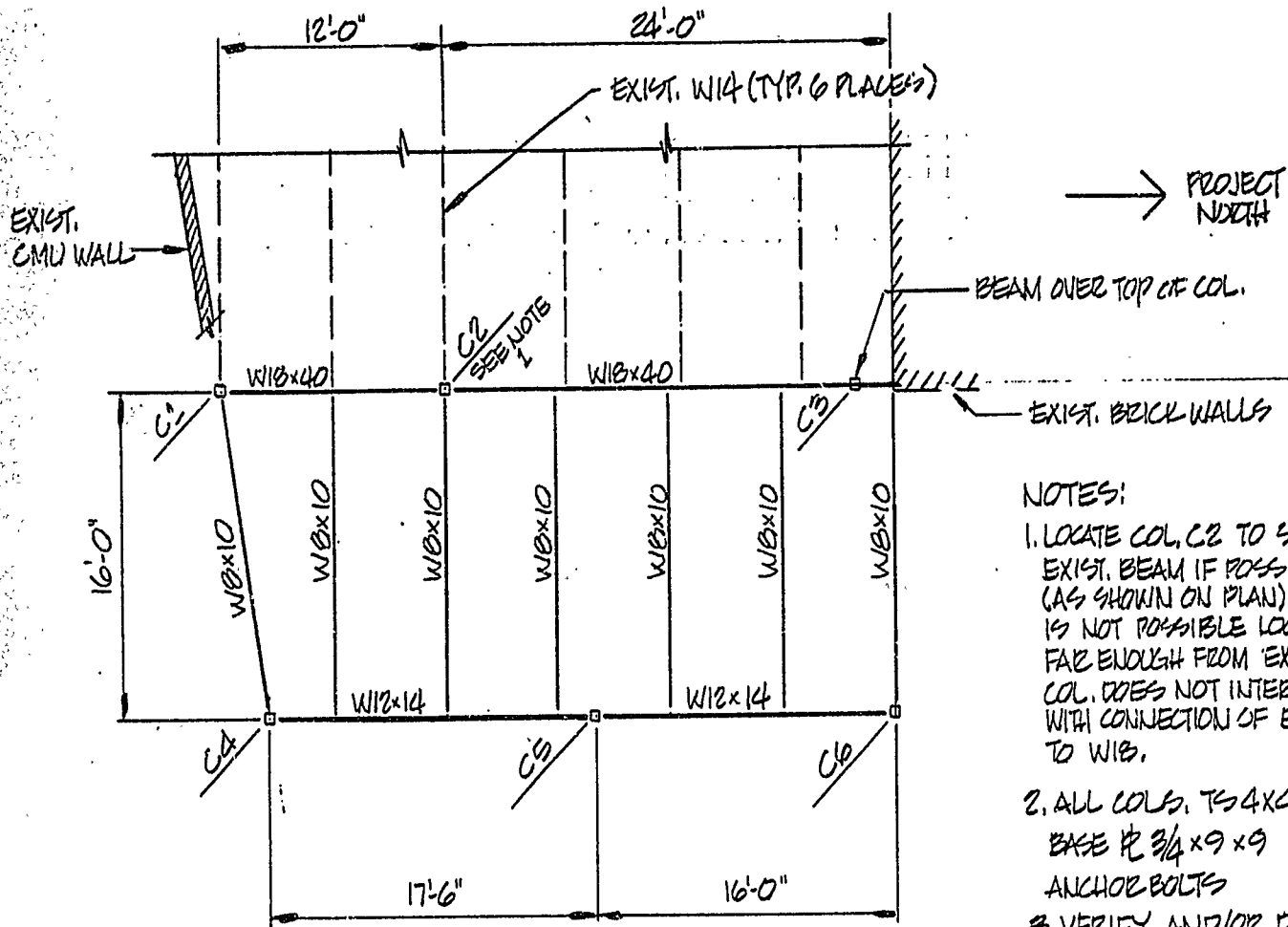
Address: 1 Bean Pot Circle  
Portland Maine 04103

Phone: (207)-772-8341 ext. 224

Regards,  
John E. Condon  
  
Project Engineer

THE PILLSBURY COMPANY • ONE BEAN POT CIRCLE • PORTLAND, MAINE 04103

a Grand Metropolitan company



ROOF FRAMING PLAN  
1/8" = 1'-0" ±

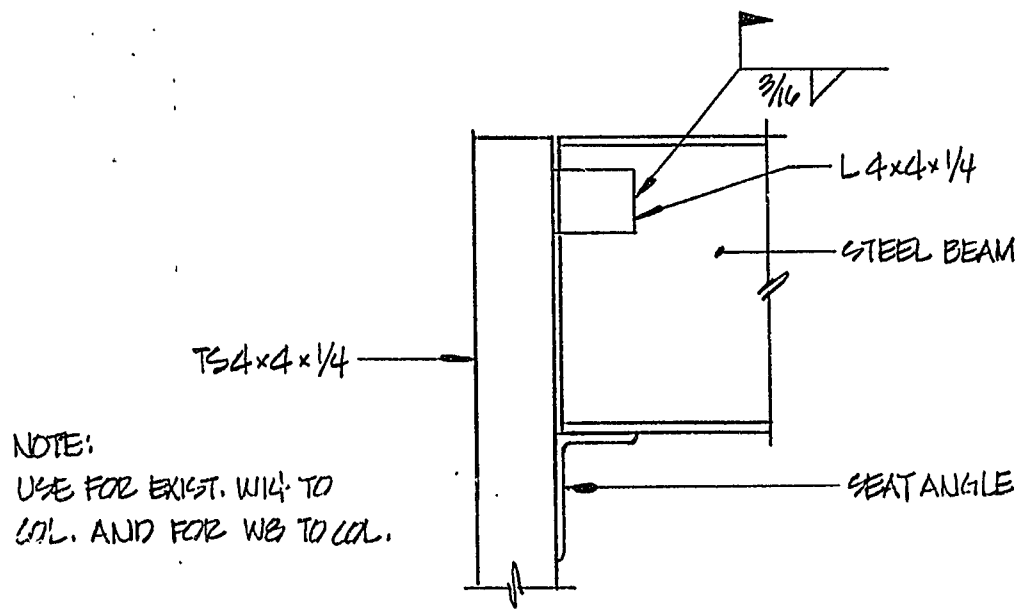
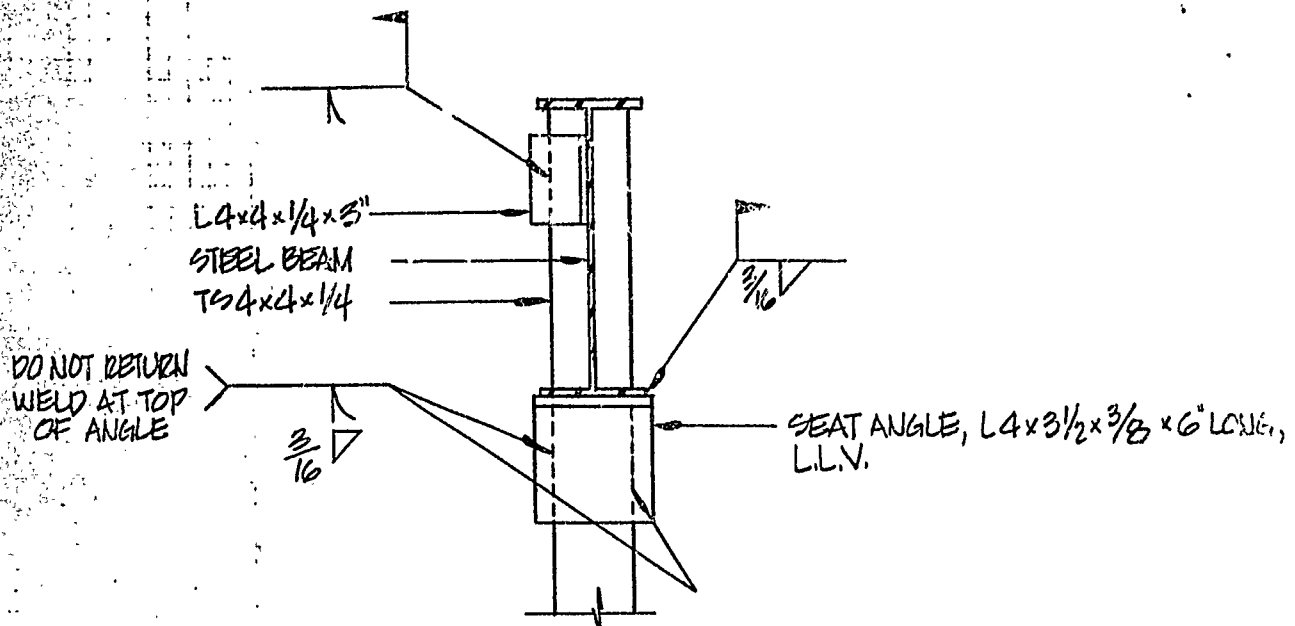
FOOTING SCHEDULE

- COL. C2: 4'-9" x 4'-9" x 1'-0", REINF. W/5#5 EA. WAY
- COL. C3: 4'-0" x 4'-0" x 1'-0", REINF. W/4#5 EA WAY
- COL. C5: 2'-9" x 2'-9" x 1'-0" "
- COLS. C1, C4, C6: 2'-6" x 2'-6" x 1'-0" "

NOTES:

1. LOCATE COL. C2 TO SUPPORT EXIST. BEAM IF POSSIBLE (AS SHOWN ON PLAN), IF THIS IS NOT POSSIBLE LOCATE COL. FAR ENOUGH FROM EXIST. BEAM COL. DOES NOT INTERFERE WITH CONNECTION OF EXIST. BEAM TO W18.
2. ALL COLS. TO 4x4x1/4 WITH BASE PL 3/4 x 9 x 9 W/4-3/4" ANCHOR BOLTS
3. VERIFY AND/OR DETERMINE ALL DIMENSIONS IN THE FIELD. DIMENSIONS SHOWN ARE NOT ADEQUATE FOR FABRICATION.

N.G. BAILEY - BFM ROOF  
DLP 10-27-95

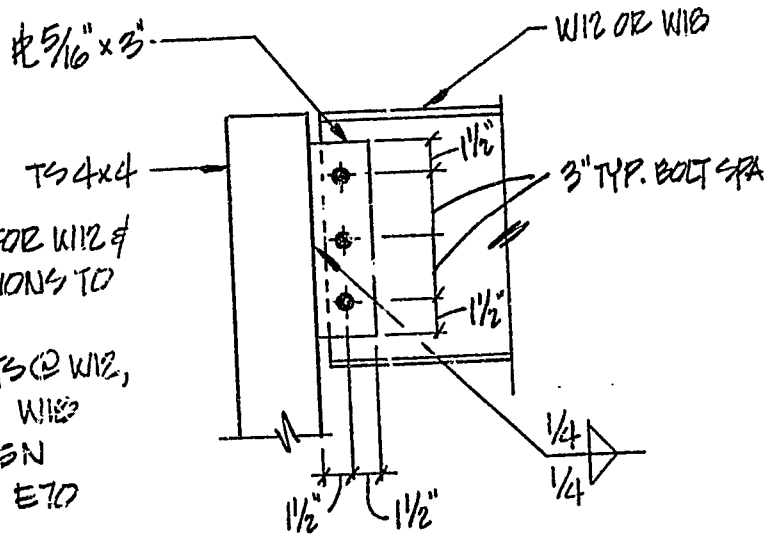


SEATED  
BEAM TO COL. CONNECTION  
N.T.S.

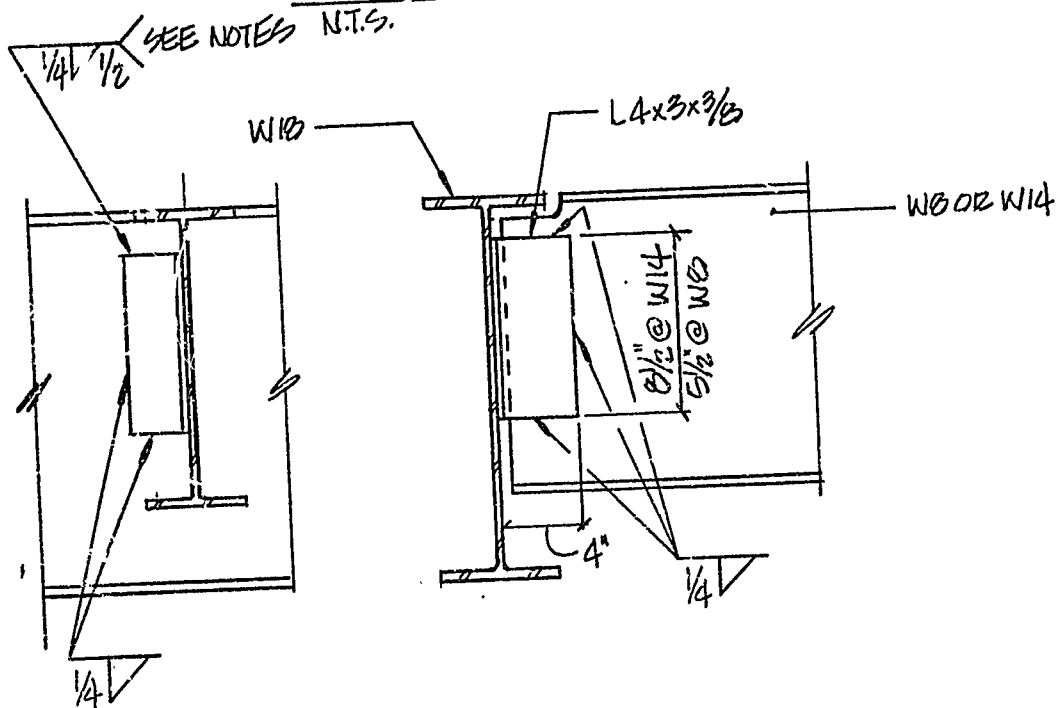
N.G. BAILEY - B#M ROOF  
DHP 10-30-95

2 of 4

NOTE: USE FOR W12 & W10 CONNECTIONS TO COLS.  
 USE 3 BOLTS @ W12,  
 4 BOLTS @ W10  
 BOLTS: A325N  
 ELECTRODES: E70



SINGLE END PLATE BEAM-COL. CONN.



NOTES:  
 1. RETURN WELD 1/2" AT OUTER CORNER, DO NOT WELD ACROSS TOP OR UP BOTH VERTICAL SIDES OF ANGLE  
 2. USE FOR EXIST W14 & W10 CONN. TO W12 & W10

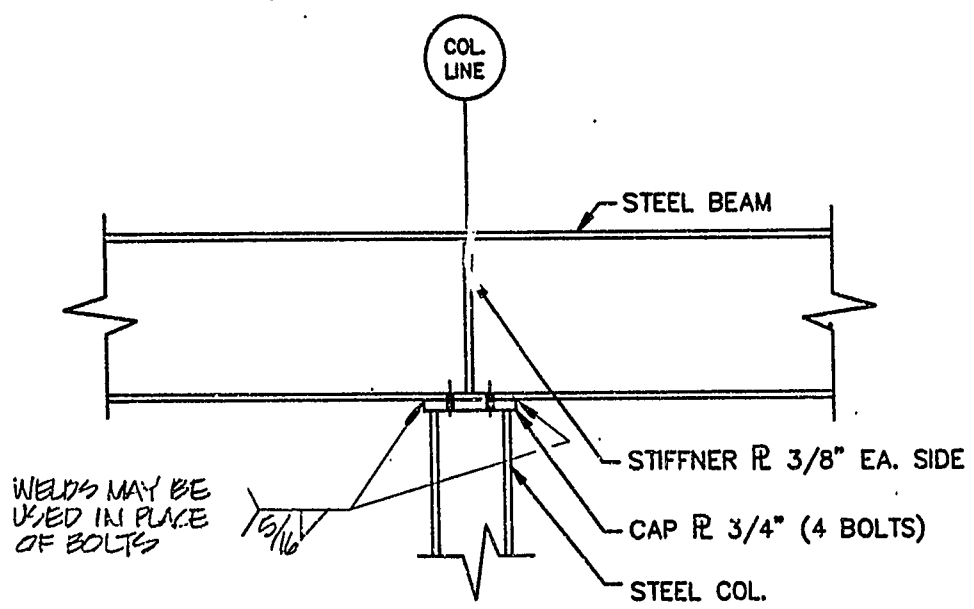
SINGLE ANGLE CONN.

N.G. BAILEY - BFM REC'D  
 DEP 10-20-75

30F4



N.G. BAILEY - B&M ROOF  
DKP 10-30-95



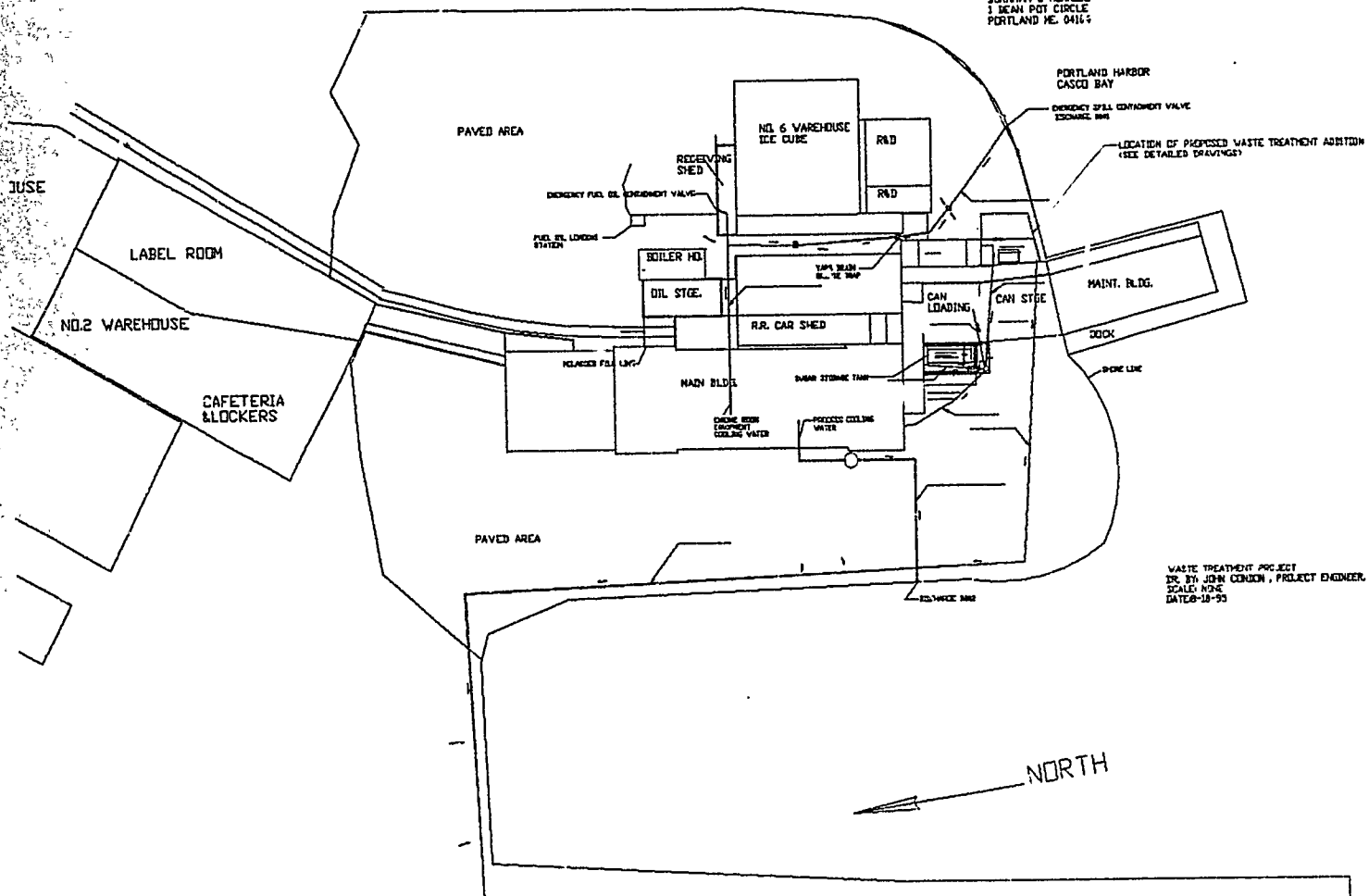
**BEAM FRAMING OVER COLUMN**

N.T.S.

4 of 4

05120-19

FED. # NPDES-HE0001741  
MAINE#00038-57-A-R  
BURNHAM & NORRILL  
1 DEAN POT CIRCLE  
PORTLAND ME. 04114



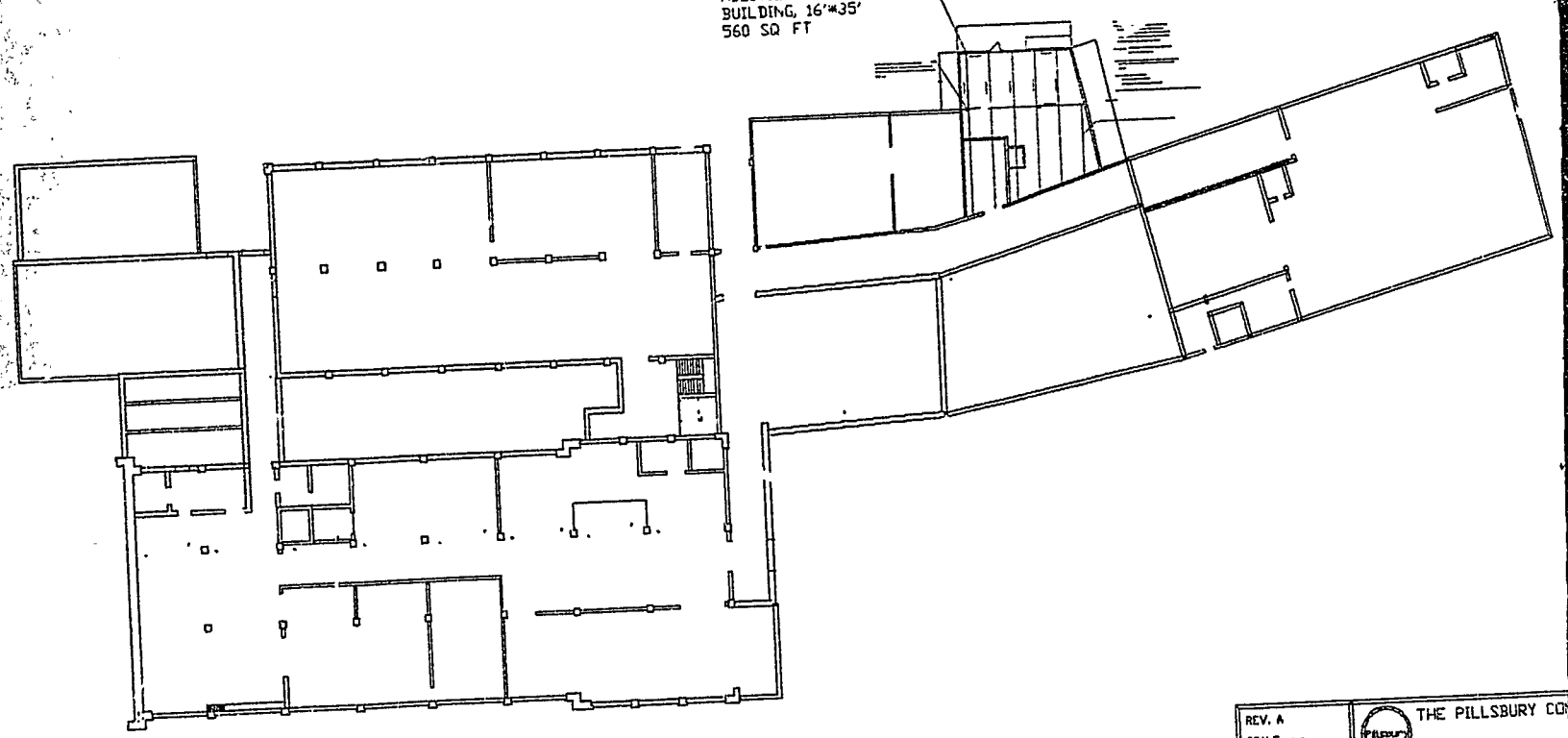
WASTE TREATMENT PROJECT  
BY JOHN CONDON, PROJECT ENGINEER, PILLSBURY  
SCALE: NONE  
DATE: 10-18-93


SEWER LINE INSTALLED LATE 1970'S >

BRIDGE WIDENED IN THE LATE 1980'S

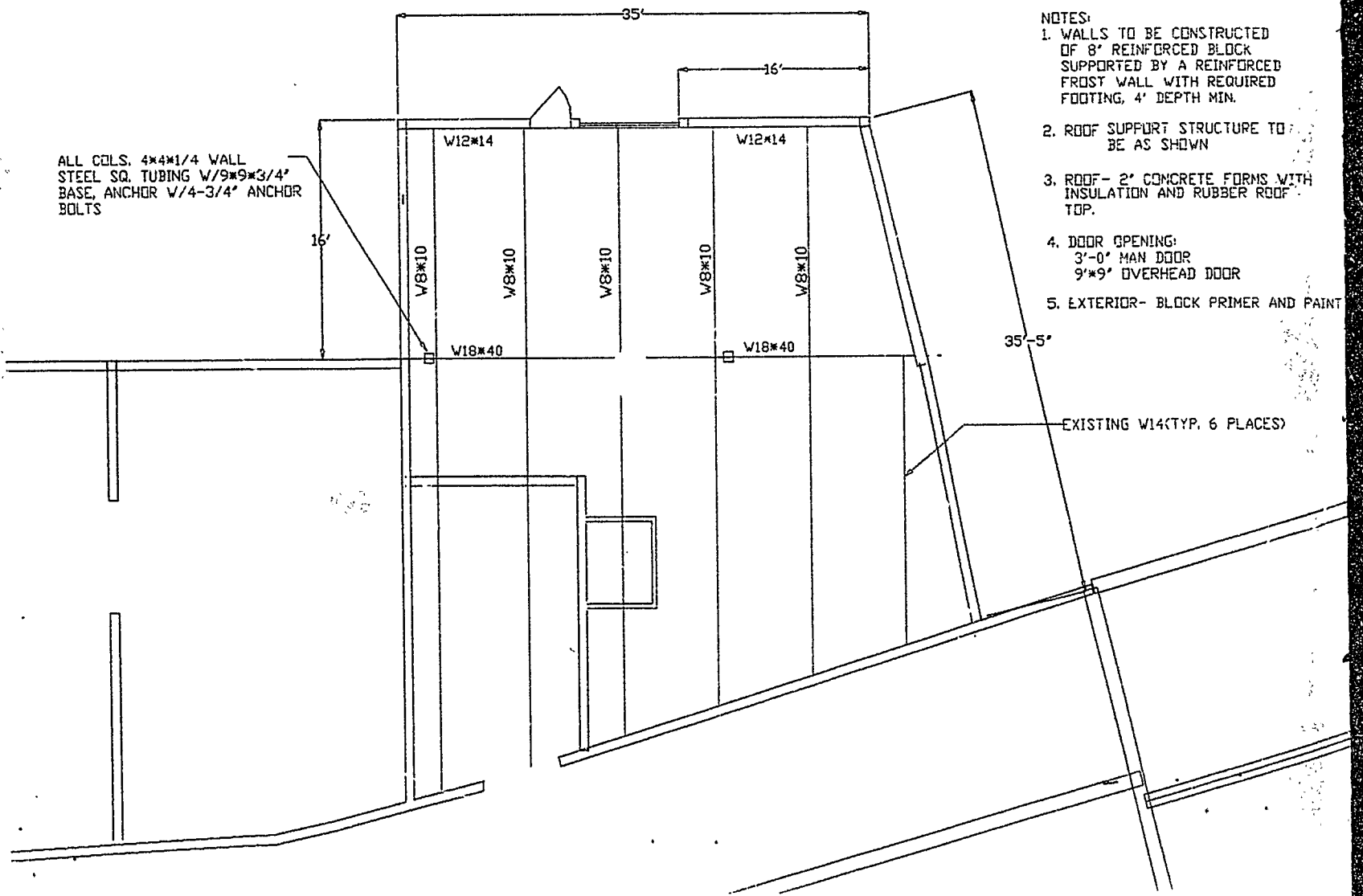
< 295 BRIDGE >

ADDITION TO EFFLUENT  
BUILDING, 16'x35'  
560 SQ FT



REV. A	THE PILLSBURY CO
SCALE: 1/8" = 1'-0"	
DRAWN BY: JOHN E. CONDON	TITLE: EFFLUENT BUILDING RENOVATION
DATE: 5/29/76	DRAWING NO: 07101

BUILDING MODIFICATIONS TO EFFLUENT AREA

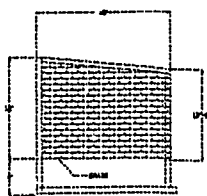
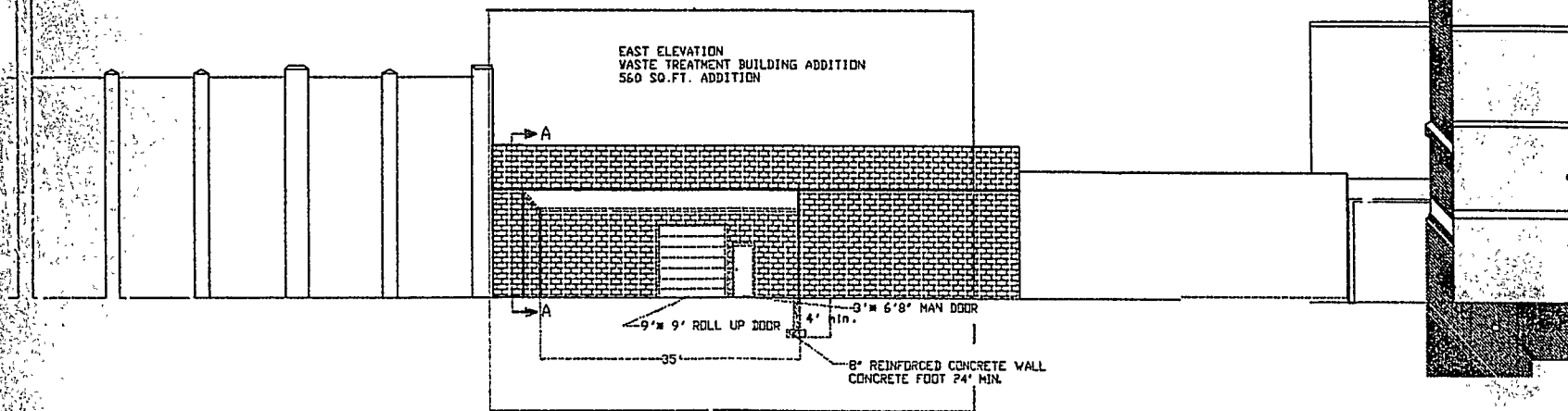


- NOTES:
1. WALLS TO BE CONSTRUCTED OF 8" REINFORCED BLOCK SUPPORTED BY A REINFORCED FROST WALL WITH REQUIRED FOOTING, 4' DEPTH MIN.
  2. ROOF SUPPORT STRUCTURE TO BE AS SHOWN
  3. ROOF - 2" CONCRETE FORMS WITH INSULATION AND RUBBER ROOF TOP.
  4. DOOR OPENING:  
3'-0" MAN DOOR  
9'x9' OVERHEAD DOOR
  5. EXTERIOR - BLOCK PRIMER AND PAINT



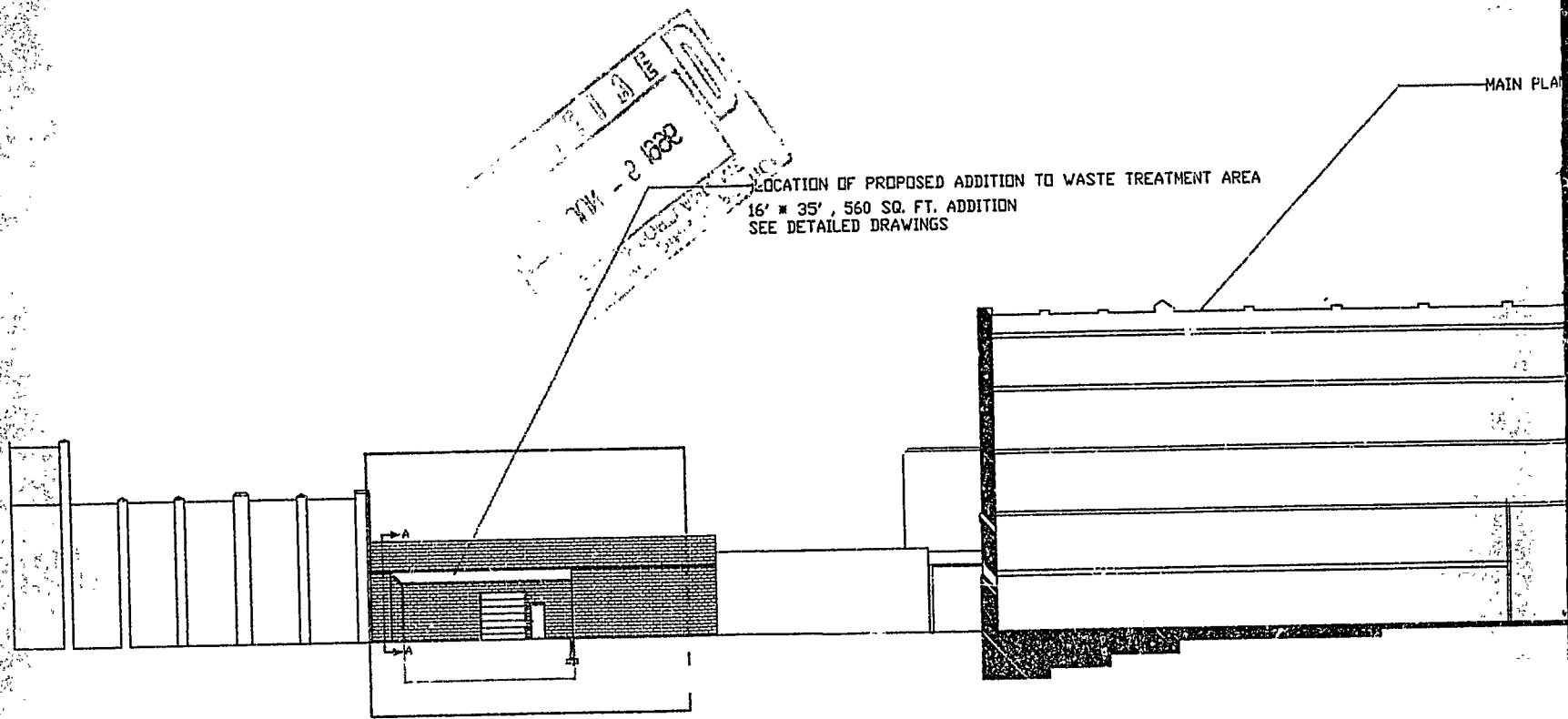
# WASTE TREATMENT BUILDING ADDITION

- NOTES: ADDITION WILL ADD 560 SQ.FT. TO THE AREA OF THE PLANT
- MAN DOOR, 3-0, 6-8, (STEEL INSULATED).
  - OVERHEAD ROLL UP DOOR, 9'\*9' INSULATED WITH WINDOW.
  - ROOF, 2" CONCRETE FORMS, WITH INSULATION AND RUBBER ROOF TOPPING.
  - ALL BUILDING CONSTRUCTION TO MEET ALL FEDERAL, STATE AND LOCAL BUILDING CODES.
  - EXTERIOR OF ADDITION TO BE FINISHED WITH (1) COAT CONCRETE PRIMER AND (2) COATS EXTERIOR GRADE WHITE PAINT.



SOUTH ELEVATION  
VIEW A-A

WASTE TREATMENT BUILDING ADDITION  
DR. BY: JOHN CONDON, PROJECT ENGINEER  
DATE: 5/30/96  
SCALE: 1" = 20'



THE PILLSBURY COMPANY  
BURNHAM & MORRILL DIV.  
WASTE TREATMENT BUILDING ADDITION  
DR. BY: JOHN CONDON, PROJECT ENGINEER  
DATE: 5/30/96  
SCALE: 1" = 30'



JOHN CONDON  
PROJECT ENGINEER  
SPECIALTY BRANDS  
B&M

### SITE PLAN INFORMATION

This property located at 1 Bean Pot Circle Portland Maine is Presently uses as a food manufacturing plant. The owner of the parcel is The Pillsbury Company, 200 South Sixth St. Minneapolis, Minnesota 55402-5414. The building addition will be used as a enclosure to house the expansion of our waste treatment system. The estimated cost of the enclosure will be approximately \$42,000.00

The total land area of this site is 23.8 +/- acres to low water line and 13.6 +/- acres to high water line. The building addition will cover a 560 Sq. Ft. area, (16 feet x 35 feet)

There are no existing easements or other burdens now existing and none will be placed on the property as a result of the addition.

There will be on solid waste generated as a result of this development.

There is existing city sewer and water lines to and from the plant these systems will not be effected as a result of the proposed addition. There as an existing plant entrance from Sherwood street.

See the attached documentation for drainage and storm water management plans.

#### Construction plan outline:

- The east wall of the existing waste treatment building will be removed .
- The excavating will be done to accomdata the footings and foundation walls of the new structure.
- Concrete walls with door opening will be constructed using 8" blocks with required reinforcement.
- Roof support columns and beams with required footings will be installed see attached prints for details.
- Roof to be constructed of steel edge creteplank 2" thick x 15" wide x 120" long cover with 2" of of insulation and topped with a rubber roofing.
- Floor to be of concrete minimum of 4" slope to existing floor drain to waste treatment pit.
- install both doors the 9' x 9' overhead door and the 3' x 6'8" man door.
- Finish exterior of building addition with block primer than coat with white exterior grade paint.
- Finish interior with block primer than coat with white epoxy paint.
- See attached construction drawing for details.
- The project is planned to start construction on June 27, 1996 and be completed on July 31, 1996.

---

THE PILLSBURY COMPANY • ONE BEAN POT CIRCLE • PORTLAND, MAINE 04103

a Grand Metropolitan company



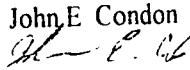
JOHN CONDON  
PROJECT ENGINEER  
SPECIALTY BRANDS  
B&M

- There are no none state or federal regulatory approvals that are required with this building addition
- See attach statements for evidence of financial capacity
- See attached documentation for information regarding title, rights and interest in the property.
- This property is located off the shore of Casco Bay at the entrance into Back Cove which is is bird sanctuary

If you have any question regarding the inclosed information please feel free to contacted me at the Burnham and Merrill plant a Div of the Pillsbury Company in Fortland Me.

Address 1 Bea. Pot Circle  
Portland Maine 04103

Phone (207)-772-8341 ext 224

Regards,  
John E Condon  
  
Project Engineer

THE PILLSBURY COMPANY • ONE BEAN POT CIRCLE • PORTLAND MAINE 04103

A Grand Metropolitan Company



**PILLSBURY CREDIT INFORMATION**

Pillsbury Center.  
200 South 6th Street  
Minneapolis, MN 55417

TAX I.D. 41-0481770

DUNS # 00-132-6438

**BANK REFERENCE:**

**FIRST BANK - MINNEAPOLIS**

First Bank Place  
Minneapolis, MN 55480  
Mr. David Foster  
(612)973-0848

**NORWEST BANK.**

6th & Marquette Ave.  
Minneapolis, MN 55479  
(612)667-1000  
(612)667-1001 FAX

**TRADE REFERENCES:**

**JAMES RIVER CORP. - FLEX PACKAGING**

8044 Montgomery Rd., Suite 650  
Cincinnati, OH 45236  
(513)576-7000  
(513)576-7100 FAX

**AMERICAN NATIONAL CAN**

8770 W. Bryn Mawr Ave.  
Chicago, IL 60631  
(312)399-3524  
(312)399-3990 FAX

**SONOCO PRODUCTS CO.**

P.O. Box 160  
Hartsville, SC 29550  
(803)333-7493  
(803)339-6076 FAX

TRUSTEES' DEED

KNOW ALL MEN BY THESE PRESENTS, that WILLIAM B. JOHNSON, BOYD F. SCHENK and ROBERT F. SCHNOES, being the present Trustees under that certain Declaration of Trust dated May 27, 1966, recorded in the Cumberland County Registry of Deeds in Book 2961, Page 663, in consideration of one dollar and other valuable consideration paid by WILLIAM UNDERWOOD COMPANY, a Massachusetts Voluntary Association, the receipt whereof they do hereby acknowledge, do hereby remise, release, and forever quitclaim unto William Underwood Company, its successors and assigns forever:

I. Ter. parcels of land with the buildings thereon situated in the State of Maine, City of Portland, in the district formerly known as East Deering, and being more particularly bounded and described as follows:

Parcel One - So-called Merrill Lot

A parcel of land bounded northeasterly and easterly by land now or formerly of Mark Jordan; southerly by the channel of Back Bay; westerly by land now or formerly of George P. Derr; northerly and westerly by land now or formerly of Alberta Pettengill.

There is hereby accepted from Parcel One (a) that part which William M. Merrill conveyed to Ralph Kelley by deed of quit-claim bearing date of May 23, 1853, and recorded in the Cumberland County Registry of Deeds in Book 269, Page 137, and (b) that part of the same which William M. Merrill conveyed to Silas H. Adams by deeds bearing date of April 17, 1869, and December 11, 1860, and recorded in said Registry in Book 298, Page 425, and in Book 314, Page 463.

Reference is hereby made to the deed from William Merrill et al. to Burnham & Morrill Company by deed dated January 2<sup>d</sup>, 1912 and recorded in said Registry in Book 891, Page 440.

Parcel Two - So-called Jordan-Saunders Lot

A triangular parcel bounded and described as follows: beginning at a stake in the division line between land formerly of Sarah Jordan and Isabelle Jordan Saunders and land formerly of William Merrill, said stake being about eighty-eight (88) feet northerly of a street formerly known as Water Street on a line that passes through a stake five (5) feet northwest of the northwesterly corner of a house on said land of Merrill; thence from said first named stake north sixty-nine (69) degrees two (2) minutes east three hundred twenty-one (321) feet and thirty-five one hundredths (35/100) of a foot to a post in the westerly line of the right of way of Grand Trunk Railway Company of Canada; thence southerly by said westerly line of said right of way of said Railway Company five hundred sixty-eight (568) feet, more or less, to the northerly line of said land of Merrill; thence north forty (40) degrees thirty-seven (37) minutes west by said northerly line of Merrill's land five hundred ninety (590) feet, more or less, to point of beginning, containing about two (2) acres and twenty two hundred (2200) square feet of land.

Being the same premises conveyed by Sarah Jordan et al. to Burnham & Morrill Company by deed dated April 1912 and recorded in said Registry of Deeds in Book 891, Page 439.

Parcel Three - So-called Derr Lot

A parcel bounded and described as follows, viz: beginning at a stake standing in the northerly side line of said Water Street, in the easterly corner of land formerly owned by Ephraim Sawyer; thence running south seventy-one (71) degrees east to a point where was situated an "Oak Stump" January 23, 1845, a distance of one (1) rod and eleven (11) links; thence south forty (40) degrees east five (5) rods and eight (8) links; thence north nine (9) degrees east twelve and one-half (12-1/2) rods to the line

LH9: 0916: 227

on which an old fence formerly stood; thence northwesterly by the line of said fence one hundred and thirty (130) feet to a point; thence on a straight line two hundred and thirty (230) feet, more or less, to the first bounds mentioned.

Also a certain log or parcel of upland and flats on the southerly side of said Water Street, so-called, directly opposite the above described lot, bounded and described as follows: beginning on said southerly side of said Water Street at the northeasterly corner of land now or formerly of Ephraim Sawyer; thence southerly by said Sawyer land to the channel; thence easterly by said channel to land formerly of Burnham & Morrill Company; thence northerly by said Burnham & Morrill Company's land to said Water Street; thence westerly by said Water Street to said Sawyer land and point of beginning.

Excepting and reserving from Parcel Three that portion which was conveyed by Lemuel Dyer to Jacob P. Shattuck by his deed dated January 23, 1865, and recorded in said Registry in Book 770, Page 141.

Being the same premises conveyed by George P. Derr to Burnham & Morrill Company by deed dated September 10, 1913 and recorded in said Registry of Deeds in Book 915, Page 430.

Parcel Four - So-called Pettingill Lot

A parcel of land bounded and described as follows: beginning on said Water Street where the said lot and the land now or formerly of L. W. Dyer intersects at a post firmly set in the ground; thence along said Water Street in a southeasterly direction about eighty feet (80') to a post where the said lot intersects with land formerly owned by William W. Merrill; thence in a northeasterly direction about 100 feet to a post and land formerly owned by Ralph Kelley; thence in a northwesterly direction about 120 feet to a post and land now or formerly of said L. W. Dyer; thence in a southwesterly direction along said Dyer land to the point of beginning; containing one-quarter of an acre, more or less.

Being the same premises conveyed by Alberta Pettingill to Burnham & Morrill Company by deed dated March 2, 1918 and recorded in said Registry in Book 1002, Page 318.

Parcel Five - So-called Shattuck Lot

Two parcels of land bounded and described as follows: beginning on the southerly side of said Water Street at the northeasterly corner of land and flats formerly belonging to Isaac Sturdivant and the heirs of Isaac Hsley; thence running southwesterly by said land and flats owned as aforesaid to low water mark; thence easterly by low water mark to land and flats formerly belonging to Lemuel Dyer; thence northeasterly by said Dyer land and flats to said Water Street; thence westerly by said Water Street to place of beginning; being about one hundred (100) feet on said Water Street and extending to low water mark, holding the width of one hundred (100) feet; subject to the rights and limitations set forth in the Colonial Ordinances, 1641-1646.

Also another certain lot or parcel of land with the buildings thereon, situated on the northerly side of said Water Street, bounded and described as follows: beginning at a post standing on the northerly side of said Water Street, south forty (40) degrees west, fourteen (14) feet and six (6) inches from the most southwesterly corner of the cellar wall of the house formerly on said premises; thence running north two (2) degrees east by land formerly of the heirs of James Lunt, one hundred (100) feet to a post at the southeasterly corner of land formerly of S.B. Brackett; thence north seven and one-half (7-1/2) degrees east by said Brackett's land, and by land formerly of the heirs of James Lunt, one hundred fifty-two (152) feet, more or less, to land formerly of Ralph Kelley; thence southeasterly by said Kelley's land, one hundred fifty-five (155) feet, more or less, to land conveyed by James Lunt to John Randall and William M. Merrill, afterwards owned by Lemuel Dyer; thence southwesterly by said last mentioned land to said Water Street; thence westerly by said Water Street to the place of beginning.

Reference is made to the deed from Leola Murphy, Guardian, to said Burnham & Morrill Company dated March 1, 1929 and recorded in said Registry in Book 1318, Page 32.

Parcel Six - So-called Dartmouth Real Estate Company Lot

A parcel of land with the buildings thereon bounded and described as follows: commencing at a stake standing in the northwesterly side line of a right of way granted to said Burnham & Morrill Company, which said stake is fifty-three and nine hundredths (53.09) feet on a course north 39 degrees 35 minutes west, from a concrete monument which stands on the southeasterly side line of said right of way and separating said right of way from other land of the said Burnham & Morrill Company; thence north 39 degrees 35 minutes west, three hundred forty-seven and sixty-eight hundredths (347.68) feet to a stake; thence at right angles on a course north 50 degrees 25 minutes east three hundred six and ninety-eight hundredths (306.98) feet to a stake; thence at right angles and running on a course south 39 degrees 35 minutes east two hundred nine and fifty-five hundredths (209.55) feet to a stake; thence on a course south 38 degrees 45 minutes east two hundred ninety-nine and eighteen hundredths (299.18) feet to a concrete monument standing in the line of the right of way of the Grand Trunk Railway of Canada; thence turning an interior angle of 71 degrees 11 minutes and running on a course south 70 degrees 04 minutes west one hundred sixty and sixty-eight hundredths (160.68) feet to a concrete monument at the easterly corner of the right of way of Burnham & Morrill Company; thence turning an angle of 90 degrees and running fifty (50) feet across the end of said right of way to a stake; thence in a course south 70 degrees 04 minutes west one hundred seventy-eight and fifty-two hundredths (178.52) feet to the point of beginning.

A plan of the above described premises entitled "The McLain Company Plan" is recorded in the Registry of Deeds for Cumberland County in Plan Book 15, Page 26.

Being the same premises conveyed by Dartmouth Real Estate Company to Burnham & Morrill Company by deed dated January 16, 1932 and recorded in said Registry in Book 1393, Page 40.

Parcel Seven - So-called McCracken Lot

A parcel of land situated on the southwesterly side of Sherwood Street (formerly Winslow Street) in said Portland, and more particularly bounded and described as follows:

beginning at a point on the southwesterly line of Sherwood Street at the easterly corner of Lot No. 7 on Plan of Property belonging to the Lunt Heirs, made by John D. Bailey, C. E., dated May 15, 1857, and recorded in Cumberland County Registry of Deeds in Plan Book 3, Page 48; thence southwesterly along the southeasterly line of said Lot No. 7 one hundred thirty-two (132) feet to a point on the southwesterly line of Lot No. 6 as shown on said Plan; thence southeasterly along said southwesterly line of Lot No. 6 and Lot No. 5 on said Plan one hundred (100) feet to the westerly corner of Lot No. 4 on said Plan; thence northeasterly along the northwesterly line of Lot No. 4 one hundred thirty-two (132) feet to a point on the southwesterly line of said Sherwood Street; thence along the southwesterly line of Sherwood Street in a northwesterly direction one hundred (100) feet to the point of beginning.

Being Lots Nos. 5 and 6 as shown on said Plan of Property belonging to the Lunt Heirs, recorded in Plan Book 3, Page 48.

Being the same premises conveyed by Florence B. McCracken to Burnham & Morrill Company by deed dated August 24, 1953 and recorded in said Registry in Book 2143, Page 482.

Parcel Eight - So-called Lunt Lot

A parcel of land consisting of lots numbered three (3) and four (4) on the southwesterly side of Sherwood Street, formerly called Winslow Street, as delineated upon a plan entitled "Plan of Property belonging to the Lunt Heirs" and duly recorded in Cumberland County Registry of Deeds, in Plan Book 3, Page 48, to which plan and record thereof reference is hereby made for a more particular description of the premises above described.

DX9400FC:229



Being the same premises conveyed by Alice Storer Lunt et al. to Burnham & Morrill Company by deed dated April 27, 1933 and recorded in said Registry in Book 1420, Page 140.

Parcel Nine - So-called Wells Lot

A parcel of land situated on the southwesterly side of Sherwood (formerly Winslow) Street in said Portland, bounded and described as follows: beginning on said southwesterly side of said Sherwood Street at the most easterly corner of lot number 3 and the most northerly corner of lot number 2 on a plan made by John D. Bailey dated May 15, 1857 for the James Lunt heirs recorded in Cumberland County Registry of Deeds in Plan Book 3, Page 48; thence running southeasterly by said Street 87 feet to a stake standing on the most westerly line of the location of the Grand Trunk Railroad; thence southerly on the line of said Grand Trunk Railroad location 251 feet, more or less, to a stake standing on the line of land now or formerly owned by Ralph Kelley; thence northwesterly by said Kelley land 300 feet, more or less, to the most southerly corner of lot number 3 on said plan; thence northeasterly 132 feet to the point of beginning; being lots number 1 and 2 on said plan.

DX9400PC-230

Being the same premises conveyed by Charles S. Morrill to Burnham & Morrill Company by deed dated August 14, 1957 and recorded in said Registry in Book 2369, Page 298.

Parcel Ten - So-called Eastern Dredging Company Lot

A parcel of land conveyed by Charles B. Clarke, Trustee in Bankruptcy of Eastern Dredging Company, to Burnham & Morrill Company by deed dated May 22, 1916 and recorded in said Registry in Book 971, Page 270.

The conveyance of Parcels One through Ten is made subject to pole line easements granted by conveyances recorded in said Registry in Book 1989, Page 88, Book 2053, Page 394 and in Book 2491, Page 45.

The property encompassed by Parcels One through Ten borders on, and/or includes, streets and highways of the City of Portland and State of Maine; in connection with said streets and highways reference is hereby made to instruments recorded in said Registry in Book 1622, Page 134; Book 2146, Page 400; Book 2368, Page 345; Book 2369, Page 116; Book 2407, Page 418; Book 2471, Page 218; and Book 2563, Page 202.

II. Certain lots or parcels of land, with the buildings thereon, in said Portland on Commercial, Fore, Union and Cross Streets and being the same conveyed by Bessey Foods, a Maine corporation, to Burnham & Morrill Company by deed dated June 16, 1964 and recorded in said Registry in Book 2830, Page 266.

III. Also all other real estate, interests in real estate, rights of way, easements, streets, highways, flats, water rights, and interests in water, shore and flats, owned or possessed by the Trust in said County of Cumberland or elsewhere.

IV. EXCEPTING THEREFROM that portion of the above described property taken by the State of Maine as shown on a Right-of-Way Map, State Highway "295", City of Portland, Federal Aid Project No. 1-IR-295-3(91), dated April 1985, on file in the Office of the Department of Transportation, (D.O.T. File No. 3-336), recorded in the Registry of Deeds of Cumberland County.

TO HAVE AND TO HOLD the same, together with all the privileges and appurtenances thereunto belonging, to the said William Underwood Company, a Massachusetts Voluntary Association, its successors and assigns forever, so that neither the said Trustees, nor their heirs, nor any other person or persons, for them or in their name or behalf, shall or will hereafter claim or demand any right or title to the aforesaid premises or any part thereof, but they and each of them shall, by these presents, be excluded and forever barred.



IN WITNESS WHEREOF, the Trustees have caused this instrument to be executed this \_\_\_ day of October, 1990.

William B. Johnson  
William B. Johnson Trustee

Boyd F. Schenk  
Boyd F. Schenk Trustee

Robert F. Schnoes  
Robert F. Schnoes Trustee

State of Illinois }  
County of COOK } SS.

I, OLGA ISZCZUK, a Notary Public, do hereby certify that William B. Johnson, acting as Trustee under a certain Declaration of Trust dated May 27, 1966, personally known to me to be the same person whose name is subscribed to the foregoing instrument, appeared before me this day in person, and acknowledged that he signed and delivered the said instrument as his free and voluntary act as such trustee, for the uses and purposes therein set forth.

Given under my hand and seal this 15 day of October, 1990.

Olga Iszczuk  
Notary Public  
"OFFICIAL SEAL"  
OLGA ISZCZUK  
Notary Public, State of Illinois  
My Commission Expires Sept. 5, 1993

State of Illinois }  
County of COOK } SS.

I, OLGA ISZCZUK, a Notary Public, do hereby certify that Boyd F. Schenk, acting as Trustee under a certain Declaration of Trust dated May 27, 1966, personally known to me to be the same person whose name is subscribed to the foregoing instrument, appeared before me this day in person, and acknowledged that he signed and delivered the said instrument as his free and voluntary act as such trustee, for the uses and purposes therein set forth.

Given under my hand and seal this 15 day of October, 1990.

Olga Iszczuk  
Notary Public  
"OFFICIAL SEAL"  
OLGA ISZCZUK  
Notary Public, State of Illinois  
My Commission Expires Sept. 5, 1993

State of Illinois }  
County of SULLIVAN } SS.

I, PAMELA K. HASTING, a Notary Public, do hereby certify that Robert F. Schnoes, acting as Trustee under a certain Declaration of Trust dated May 27, 1966, personally known to me to be the same person whose name is subscribed to the foregoing instrument, appeared before me this day in person, and acknowledged that he signed and delivered the said instrument as his free and voluntary act as such trustee, for the uses and purposes therein set forth.

Given under my hand and seal this 16 day of October, 1990.

Pamela K. Hasting  
Notary Public  
"OFFICIAL SEAL"  
PAMELA K. HASTING  
NOTARY PUBLIC, STATE OF ILLINOIS  
MY COMMISSION EXPIRES 6/8/93

DX9 L O 10 PG. 231

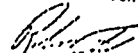
This instrument was prepared by

Ronald E. Toczylowski  
Assistant General Counsel  
Pet Incorporated  
400 South Fourth Street  
St. Louis, Missouri 63102

JK96000023

6

RECEIVED  
RECORDS DEPARTMENT OF REVENUE  
30 NOV 30 PM 2:00  
CUMBERLAND COUNTY



POLLUTION PREVENTION TEAM

Plant Manager - Jonathan Tupper  
Office: 207-772-8341 ext. 235  
Home: 207-657-4737

Benefits Manager - Ronald Mattia  
Office: 207-772-8341 ext. 288  
Home: 207-353-5413

Plant Engineer - John Totman  
Office: 207-772-8341 ext. 269  
Home: 207-829-5852

Project Engineer - John Condon  
Office: 207-772-8341 ext. 224  
Home: 207-777-3040

Maintenance Supervisor  
- Gary Latuscha  
Office: 207-772-8341 ext. 228  
Home: 207-926-3609

NON-STORM WATER DISCHARGES

#001 - Boiler Room Equipment Cooling Water

Located on south side of property  
next to R&D building, discharging  
into Portland Back Cove of Casco Bay.

#002 - Retort Cooling Water

Located on west side of property in  
front of main building, discharging  
into Portland Back Cove of Casco Bay

FEDERAL PERMIT NO: NPDES - ME -0001741

STATE PERMIT NO: W000980-57-A-R

Water Samples are sent to Northeast Laboratory  
P. O. Box 788  
Waterville, ME 04903-0788

2. Molasses Unloading or Significant Spill such as Tank Truck Hose Rupture

- A. Driver to stay with truck while unloading.
- B. For significant spills:
  - 1. Knife valve at loading dock is to be closed to prevent spill from entering storm drains.
  - 2. Knife valve at end of dock to be closed to prevent discharge to bay.
  - 3. Plant Engineer to be notified.
  - 4. Maintenance Supervisor to be notified.
  - 5. Truck Driver to call his dispatcher.

3. Liquid Sugar Unloading or Tank Rupture

- A. Driver to stay with truck while unloading.
- B. For significant spill open manhole cover to effluent holding pit.
- C. Notify Plant Engineer.
- D. Notify Maintenance Supervisor.
- E. Driver to call dispatcher.

4. Cleaners:

- A. All liquid barrels are kept on four-barrel containment pallets.
- B. The Soap Room for these barrels has no floor drains and a containment capacity of approximately 75 gallons.