



APPLICATION FOR PERMIT
DEPARTMENT OF BUILDING INSPECTIONS SERVICES
ELECTRICAL INSTALLATIONS

Date December 13, 19 89
 Receipt and Permit number 00969

To the CHIEF ELECTRICAL INSPECTOR, Portland, Maine:

The undersigned hereby applies for a permit to make electrical installations in accordance with the laws of Maine, the Portland Electrical Ordinance, the National Electrical Code and the following specifications:

LOCATION OF WORK: 134 Colonial Rd; Portland
 OWNER'S NAME: Kenneth W. Talbot ADDRESS: 134 Colonial Rd; Portland

OUTLETS:	Receptacles _____	Switches _____	Plugmold _____	ft. TOTAL _____	_____
FIXTURES: (number of)	Incandescent _____	Flourescent _____	(not strip) TOTAL _____	_____	_____
	Strip Flourescent _____	ft. _____	_____	_____	_____
SERVICES:	Overhead <u>1</u>	Underground _____	Temporary _____	TOTAL amperes <u>100</u>	<u>3.00</u>
METERS: (number of)	_____	_____	_____	_____	_____
MOTORS: (number of)	Fractional _____	_____	_____	_____	_____
	1 HP or over _____	_____	_____	_____	_____
RESIDENTIAL HEATING:	Oil or Gas (number of units) _____	_____	_____	_____	_____
	Electric (number of rooms) _____	_____	_____	_____	_____
COMMERCIAL OR INDUSTRIAL HEATING:	Oil or Gas (by a main boiler) _____	_____	_____	_____	_____
	Oil or Gas (by separate units) _____	_____	_____	_____	_____
	Electric Under 20 kws _____	Over 20 kws _____	_____	_____	_____
APPLIANCES: (number of)	Ranges _____	Water Heaters _____	_____	_____	_____
	Cook Tops _____	Disposals _____	_____	_____	_____
	Wall Ovens _____	Dishwashers _____	_____	_____	_____
	Dryers _____	Compactors _____	_____	_____	_____
	Fans _____	Others (denote) _____	_____	_____	_____
	TOTAL _____	_____	_____	_____	_____
MISCELLANEOUS: (number of)	Branch Panels _____	_____	_____	_____	_____
	Transformers _____	_____	_____	_____	_____
	Air Conditioners Central Unit _____	_____	_____	_____	_____
	Separate Units (windows) _____	_____	_____	_____	_____
	Signs 20 sq. ft. and under _____	_____	_____	_____	_____
	Over 20 sq. ft. _____	_____	_____	_____	_____
	Swimming Pools Above Ground _____	_____	_____	_____	_____
	In Ground _____	_____	_____	_____	_____
	Fire/Burglar Alarms Residential _____	_____	_____	_____	_____
	Commercial _____	_____	_____	_____	_____
	Heavy Duty Outlets, 220 Volt (such as welders) 30 amps and under _____	_____	_____	_____	_____
	over 30 amps _____	_____	_____	_____	_____
	Circus, Fairs, etc. _____	_____	_____	_____	_____
	Alterations to wires _____	_____	_____	_____	_____
	Repairs after fire _____	_____	_____	_____	_____
	Emergency Lights, battery _____	_____	_____	_____	_____
	Emergency Generators _____	_____	_____	_____	_____

INSTALLATION FEE DUE: _____
 FOR ADDITIONAL WORK NOT ON ORIGINAL PERMIT DOUBLE FEE DUE: _____
 FOR REMOVAL OF A "STOP ORDER" (804-18.b)
 TOTAL AMOUNT DUE: 5.00

INSPECTOR'S minimum fee

Will be ready on _____, 19____; or Will Call yes
 CONTRACTOR'S NAME: M.N.M Electric Co.
 ADDRESS: 16 Cheverus St.
 TEL.: 767-2411
 MASTER LICENSE NO.: 02779 Mr. Maforano SIGNATURE OF CONTRACTOR: [Signature]
 LIMITED LICENSE NO.: _____

INSPECTOR'S COPY — WHITE
 OFFICE COPY — CANARY
 CONTRACTOR'S COPY — GREEN

000907
 Permit # 000907 City of Portland BUILDING PERMIT APPLICATION Fee 521 Zone
 Please fill out any part which applies to job. Proper plans must accompany form

Owner: Terry Talbot Phone # 775-0604
 Address: 134 Colonial St. Ptld, ME 04102
 LOCATION OF CONSTRUCTION 134 Colonial St.
 Contactor: Ed Murray Sub: 797-5111
 Add/Alt: 56 Pleasant Hill RD Phone #
Falmouth, ME 04105
 Est. Construction Cost: \$1000. Proposed Use: 1-fam w deck
 Past Use: 1-fam
 # of Existing Res. Units _____ # of New Res. Units _____
 Building Dimensions L _____ W _____ Total Sq. Ft. _____
 # Stories: _____ # Bedrooms _____ Lot Size: _____
 Is Proposed Use: Seasonal _____ Condominium _____ Conversion _____
 Explain Conversion Construct a deck: 12'x16'

For Official Use Only
 Date 7/19/90 Sub-division: **PERMIT ISSUED**
 Inside Fire Limits _____ Name _____
 Bldg Code _____ Lot JUL 25 1990
 Time Limit _____ Ownership: _____
 Estimated Cost \$1000. City of Portland
 Zoning: R-3
 Street Frontage Provided _____
 Provided Setbacks: Front _____ Back _____ Side _____
 Review Required:
 Zoning Board Approval: Yes _____ No _____ Date: _____
 Planning Board Approval: Yes _____ No _____ Date: _____
 Conditional Use: _____ Variance _____ Site Plan _____ Subdivision _____
 Shoreland Zoning Yes _____ No _____ Floodplain Yes _____ No _____
 Special Exception _____
 Other (Explain) OK W/D 7-24-90

Foundation:
 1. Type of Soil: _____
 2. Set Backs - Front _____ Rear _____ Side(s) _____
 3. Footings Size: _____
 4. Foundation Size: _____
 5. Other _____

Floor:
 1. Sills Size: _____ Sills must be anchored.
 2. Girder S. e. _____
 3. Lally Column Spacing _____ Size: _____
 4. Joists Size: _____ Spacing 16" O.C.
 5. Bridging Type: _____ Size: _____
 6. Floor Sheathing Type: _____ Size: _____
 7. Other Material: _____

Exterior Walls:
 1. Studding Size _____ Spacing _____
 2. No. windows _____
 3. No. Doors _____
 4. Header Sizes _____ Span(s) _____
 5. Bracing: Yes _____ No _____
 6. Corner Posts Size _____
 7. Insulation Type _____ Size _____
 8. Sheathing Type _____ Size _____
 9. Siding Type _____ Weather Exposure _____
 10. Masonry Materials _____
 11. Metal Materials _____

Interior Walls:
 1. Studding Size _____ Spacing _____
 2. Header Size _____ Span(s) _____
 3. Wall Covering Type _____
 4. Fire Wall If Acquired _____
 6. Other Materials _____

Ceiling:
 1. Ceiling Joists Size: _____
 2. Ceiling Strapping Size _____ Spacing _____
 3. Type Ceiling: _____
 4. Insulation Type _____ Size _____
 5. Ceiling Height: _____

Roof:
 1. Truss or Rafter Size _____ Span _____
 2. Sheathing Type _____ Size _____
 3. Roof Covering Type _____

Chimneys:
 Type: _____ Number of Fire Places _____

Heating:
 Type of Heat: _____

Electrical:
 Service Entrance Size: _____ Smoke Detector Required Yes _____ No _____

Plumbing:
 1. Approval of soil test if required Yes _____ No _____
 2. No. of Tubs or Showers _____
 3. No. of Flushes _____
 4. No. of Lavatories _____
 5. No. of Other Fixtures _____

Swimming Pools:
 1. Type: _____
 2. Pool Size _____ x _____ Square Foot _____
 3. Must conform to National Electrical Code and State Law.

Permit Received By Louise E. Chase

Signature of Applicant Ed Murray 7-19-90

Signature of CEO _____

Inspection Dates _____

White-Tax Assessor Yellow-GPCOG White Tag -CEO

PERMIT ISSUED WITH LETTER

2/ MMS, Lowe

000907

Permit # City of Portland BUILDING PERMIT APPLICATION Fee \$25. Zone Map # Lot#
 Please fill out any part which applies to job. Proper plans must accompany form.

Owner: Terry Talbot Phone # 775-1334
 Address: 134 Colonial St. Bldg, ME 04102
 LOCATION OF CONSTRUCTION 134 Colonial St.
 Contractor: Ed Murray Sub: 797-5111
 Address: 56 Pleasant Hill Rd Phone #
Fal.outh, ME 04105
 Est. Construction Cost: \$1000. Proposed Use: 1-fam w deck
 Past Use: 1-fam
 # of Existing Res. Units # of New Res. Units
 Building Dimensions L W Total Sq. Ft.
 # Stories: # Bedrooms Lot Size:
 Is Proposed Use: Seasonal Condominium Conversion
 Explain Conversion: Construct a deck; 12'x16'

PERMIT ISSUED

For Official Use Only

Date: 7/19/90 Subdivision: JUL 25 1990
 Inside Fire Limits Lot
 Bldg Code Owner: City Of Portland
 Time Limit Permits
 Estimated Cost: \$1000.

Zoning: R-3
 Street Frontage Provided:
 Provided Setbacks: Front Back Side Side

Review Required:
 Zoning Board Approval: Yes No Date:
 Planning Board Approval: Yes No Date:
 Conditional Use: Variance Site Plan Subdivision
 Shoreland Zoning Yes No Floodplain Yes No
 Special Exception
 Other (Explain): OK with ASD 7-24-90

Foundations:
 1. Type of Soil:
 2. Set Backs - Front Rear Side(s)
 3. Footings Size:
 4. Foundation Size:
 5. Other:

Floors:
 1. Sills Size: Sills must be anchored.
 2. Girder Size:
 3. Lally Column Spacing: Size:
 4. Joists Size: Spacing: 6" O.C.
 5. Bridging Type: Size:
 6. Floor Sheathing Type: Size:
 7. Other Material: 9/7

Exterior Walls:
 1. Studding Size Spacing
 2. No. windows
 3. No. Doors
 4. Header Sizes Spacing
 5. Bracing Yes No
 6. Corner Posts Size
 7. Insulation Type Size
 8. Sheathing Type Size
 9. Siding Type Weather Exposure
 10. Masonry Materials
 11. Metal Materials

Interior Walls:
 1. Studding Size Spacing
 2. Header Sizes Spacing
 3. Wall Covering Type
 4. Fire Wall if required
 5. Other Materials

Ceiling:
 1. Ceiling Joists Size:
 2. Ceiling Strapping Size Spacing
 3. Type Ceiling:
 4. Insulation Type Size
 5. Ceiling Height:

Roof:
 1. Truss or Rafter Size Span Size
 2. Sheathing Type
 3. Roof Covering Type

Chimneys:
 Type Number of Fire Places

Heating:
 Type of Heat:

Electrical:
 Service Entrance Size: Smoke Detector Required Yes No

Plumbing:
 1. Approval of soil test if required Yes No
 2. No. of Tubs or Showers
 3. No. of Toilets
 4. No. of Lavatories
 5. No. of Other Fixtures

Swimming Pools:
 1. Type:
 2. Pool Size: x Square Footage
 3. Must conform to National Electrical Code and State Law.

Permit Received By Louise F. Chasn
 Signature of Applicant: Ed Murray Date:
 Signature of CEO:
 Inspection Dates:

PERMIT ISSUED WITH LETTER

22-217 White-Tax Assessor Yellow-GP/OG

White Tag - CEO

Copyright GPCOG 1988

PLOT PLAN

7/30- *Computed OK*



N



FEES (Breakdown From Front)

Base Fee \$ 25
Subdivision Fee \$ _____
Site Plan Review Fee \$ _____
Other Fees \$ _____
(Explain) _____
Late Fee \$ _____

Type	Inspection Record	Date
_____	_____	____/____/____
_____	_____	____/____/____
_____	_____	____/____/____
_____	_____	____/____/____
_____	_____	____/____/____

COMMENTS

Signature of Applicant

Ed Mung

Date

7-19-90

BUILDING PERMIT REPORT

ADDRESS: 13 Colonia L ST. DATE: 24/July/98
REASON FOR PERMIT: TO CONSTRUCT A 12'x16' DECK.

BUILDING OWNER: TALBOT-
CONTRACTOR: MURRAY
PERMIT APPLICANT: ''
APPROV: KJ 89 ~~DENIED~~

CONDITION OF APPROVAL OR DENIAL

- 1.) Before concrete for foundation is placed, approvals from ~~Public Works~~ and Inspection Services must be obtained.
- 2.) Precaution must be taken to protect concrete from freezing.
- 3.) All vertical openings shall be enclosed with construction having a fire rating of at least one(1) hour, including fire doors with self-closers.
- 4.) Each apartment shall have access to two(2) separate, remote and approved means of egress. A single exit is acceptable when it exits directly from the apartment to the building exterior with no communications to other apartment units.
- 5.) The boiler shall be protected by enclosing with one(1) hour fire rated construction including fire doors and ceiling, or by placing over the boiler, two(2) residential sprinkler heads supplied from the domestic water.
- 6.) Every sleeping room below the fourth story in buildings of Use Groups R and I-1 shall have at least one operable window or exterior door approved for emergency egress or rescue. The units must be operable from the inside opening without the use of separate tools. Where windows are provided as a means of egress or rescue, they shall have a sill height not more than 44 inches (1118 mm) above the floor. All egress or rescue windows from sleeping rooms must have minimum net clear openings of 5.7 square feet (0.53m²). The minimum net clear opening height dimension shall be 24 inches (610 mm). The minimum net clear opening width dimension shall be 20 inches (508 mm).
- 7.) In addition to any automatic fire alarm system required by Sections 1018.3.5, a minimum of one single station smoke detector shall be installed in each guest room, suite or sleeping area in buildings of Use Groups R-1 and I-1 and in dwelling units in the immediate vicinity of the bedrooms in buildings of Use Group R-2 or R-3. When actuated, the detector shall provide an alarm suitable to warn the occupants within the individual unit (see Section 1717.3.1).

In buildings of Use Groups R-1 and R-2 which have basements, an additional smoke detector shall be installed in the basement. In buildings of Use Group R-3, smoke detectors shall be required on every story of the dwelling unit, including basements.

In dwelling units with split levels, a smoke detector installed on the upper level shall suffice for the adjacent lower level provided the lower level is less than one full story below the upper level. If there is an intervening door between the adjacent levels, a smoke detector shall be installed on both levels.

All detectors shall be installed in an approved location. Where more than one detector is required to be installed within an individual dwelling unit, the detectors shall be wired in such a manner that the actuation of one alarm will actuate all the alarms in the individual unit.

- 8.) Private garages located beneath rooms in buildings of Use Groups R-1, R-2, R-3 or I-1 shall have walls, partitions, floors and ceilings separating the garage space from the adjacent interior spaces constructed of not less than 1-hour fire-resistance rating. Attached private garages shall be completely separated from the adjacent interior spaces and the attic area by means of 1/2-inch gypsum board or equivalent applied to the garage side. The sills of all door openings between the garage and adjacent interior spaces shall be raised not less than 4 inches (102 mm) above the garage floor. The door opening protectives shall be 1 3/4-inch solid core wood doors or approved equivalent.

K A guardrail system located near the open side of deck or elevated walking surfaces shall be constructed. Guards in buildings of Use Group R-3 shall be not less than 36 inches in height. Open guards shall have intermediate rails, balusters or other construction such that a sphere with a diameter of 6 inches cannot pass through any opening.

- 10.) Section 25-135 of the Municipal Code for the City of Portland states: "No person or utility shall be granted a permit to excavate or open any street or sidewalk from the time of November 15 of each year to April 15 of the following year.

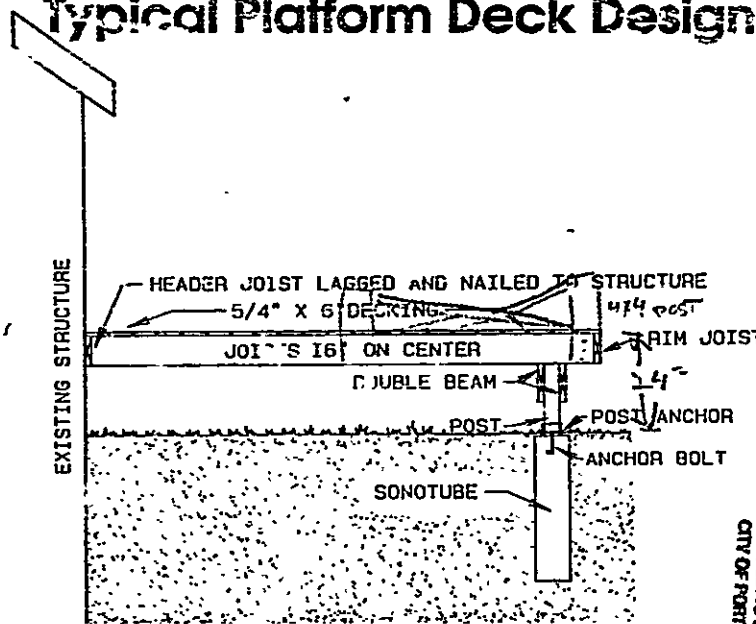
- 11.) The builder of a facility to which Section 4594-C of the Maine State Human Rights Act, Title 5 M.R.S.A. refers, shall obtain a certification from a design professional that the plans of the facility meet the standards of construction required by this section. Prior to commencing construction of the facility, the builder shall submit the certification to the Division of Inspection Services.

Sincerely,


Samuel Hoffes
Chief of Inspection Services

/s/
11/16/88

Typical Platform Deck Design

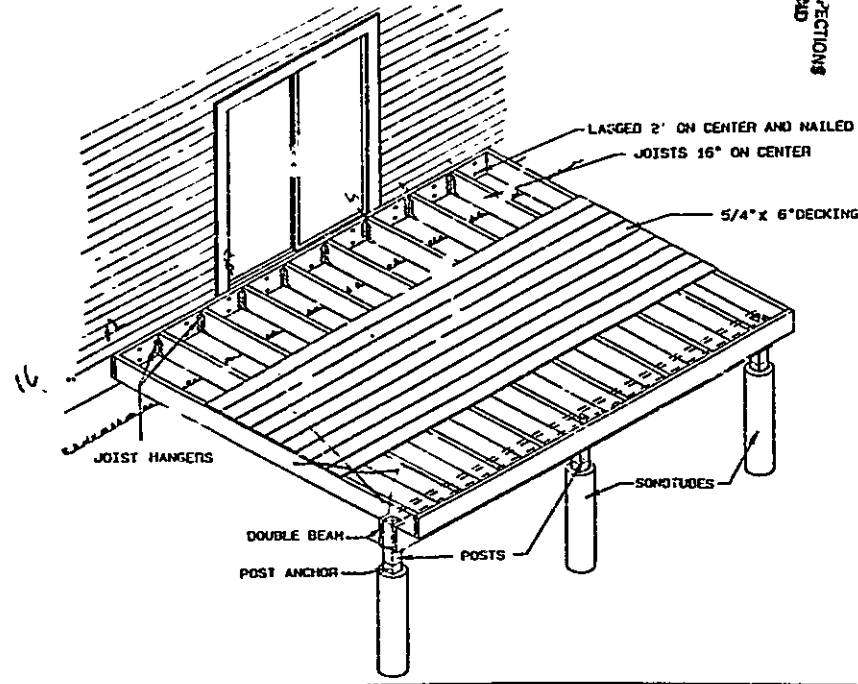


CONTINUOUS
all around.

DEPT. OF BUILDING INSPECTIONS
CITY OF PORTLAND

JUL 19 1993

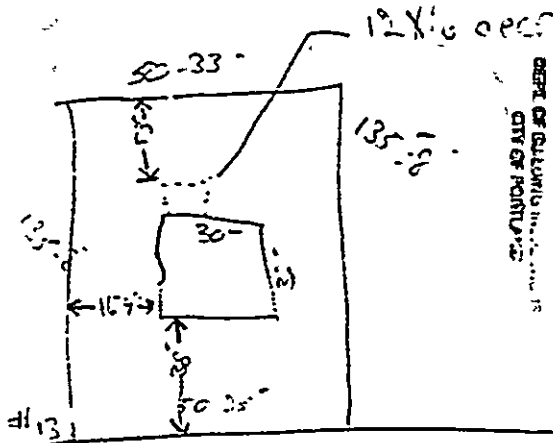
RECEIVED



W Wickes Lumber

238 Riverside St., Portland, ME Telephone (207)-772-2884

VENTOLIN[®]
(ALBUTEROL, USP/
ALBUTEROL SULFATE, USP)



DEPT. OF SALUBRITY
CITY OF PORTLAND

JUL 19 1990

RECEIVED

collected

no post