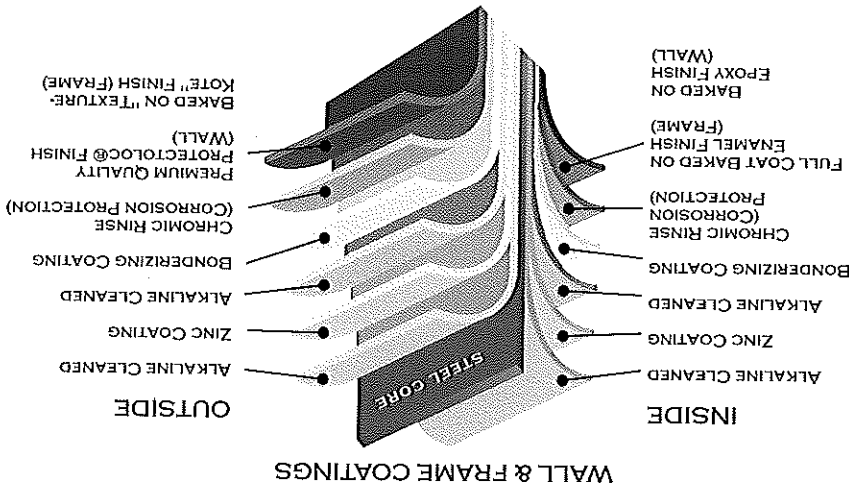
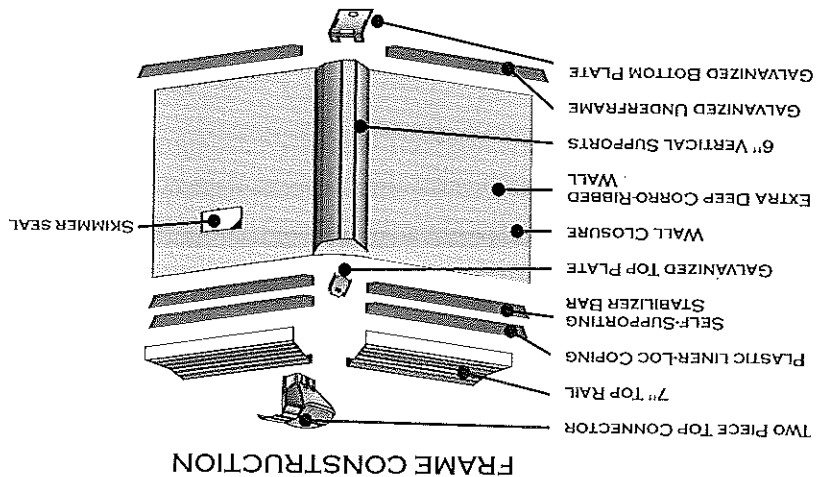


J1000

J1000 FEATURES UNEQUALLED STRUCTURAL STRENGTH, SUPERB FIT AND FINISH WITH TRIM AND WALL COLOUR SCHEMES FIT FOR A KING. OUR J1000 POOL HAS IT ALL, A PREMIUM POOL FOR THOSE WHO SEEK ONLY THE HIGHEST QUALITY FOR THEIR QUALITY TIME.

HERE'S MORE: THE J1000 COMBINES UNBEATABLE STYLE VALUE WITH THE BEST ALL-WEATHER FINISH IN THE BUSINESS.

J1000: THE BEST-BUILT AND BEST-LOOKING POOL FOR YOUR DOLLAR.



SHAPE	SIZE	METRES	VOLUME U.S. GAL	LITRES
ROUND POOL 48"	15 X 48" 18 X 48" 21 X 48" 24 X 48" 27 X 48" 33 X 48"	4.57 X 1.22 5.49 X 1.22 6.40 X 1.22 7.32 X 1.22 8.23 X 1.22 10.06 X 1.22	4,715 6,752 9,341 12,133 15,200 22,904	17,850 25,560 35,360 45,930 57,540 86,701
ROUND POOL 52"	15 X 52" 18 X 52" 21 X 52" 24 X 52" 27 X 52" 33 X 52"	4.57 X 1.32 5.49 X 1.32 6.40 X 1.32 7.32 X 1.32 8.23 X 1.32 10.06 X 1.32	5,019 7,186 9,941 12,913 16,177 25,057	18,997 27,202 37,631 48,881 61,237 94,851
OVAL POOL 48"	12 X 24 X 48" 15 X 30 X 48" 18 X 33 X 48"	3.66 X 7.32 X 1.22 4.57 X 9.14 X 1.22 5.49 X 10.1 X 1.22	6,843 10,692 13,982	25,903 40,472 52,929
OVAL POOL 52"	12 X 24 X 52" 15 X 30 X 52" 18 X 33 X 52"	3.66 X 7.32 X 1.32 4.57 X 9.14 X 1.32 5.49 X 10.1 X 1.32	7,300 11,430 14,880	27,633 43,270 56,330

QUALITY BUILT POOLS

ATLANTIC

DANGER: NO JUMPING OR DIVING. ABOVE GROUND POOLS ARE DESIGNED FOR SWIMMING ONLY. NEVER LEAVE CHILDREN UNATTENDED.

COMMENTS

6/18 Fire Con with Sandra Bassett reviewed setbacks
stands for ladder and electrical permit requirements

Type	Inspection Record	Date
Foundation:		
Framing:		
Plumbing:		
Final:		
Other:		