

**City of Portland, Maine - Building or Use Permit Application**  
 389 Congress Street, 04101 Tel: (207) 874-8703, Fax: (207) 874-8716

Permit No: 06-0533	Issue Date: PERMIT ISSUED 0427 2006	CBL: B010001
--------------------	-------------------------------------	--------------

Location of Construction: 26 WORDSWORTH ST	Owner Name: BOUCHER NAN M	Owner Address: 26 WORDSWORTH ST 2 E 2006	Phone:
Business Name:	Contractor Name: New England Stove Co.	Contractor Address: 747 Broadway Sq Portland	Phone: 2077992241
Lessee/Buyer's Name	Phone:	Permit Type: HVAC	Zone: CITY OF PORTLAND

Past Use: Single Family Home	Proposed Use: Single Family Home/ install a pellet stove into an existing double wall calss "A" existing chimney	Permit Fee: \$48.00	Cost of Work: \$2,500.00	CEO District: 4
Proposed Project Description: install a pellet stove into an existing double wall calss "A" existing chimney		FIRE DEPT: <input checked="" type="checkbox"/> Approved <input type="checkbox"/> Denied	INSPECTION: Use Group: R-3 Type: SB	

Permit Taken By: Idobson	Date Applied For: 04/20/2006	Signature: <i>[Signature]</i>	Signature: <i>[Signature]</i>	Date:
1. This permit application does not preclude the Applicant(s) from meeting applicable State and Federal Rules. 2. Building permits do not include plumbing, septic or electrical work. 3. Building permits are void if work is not started within six (6) months of the date of issuance. False information may invalidate a building permit and stop all work..		PEDESTRIAN ACTIVITIES DISTRICT (P.A.D.) Action: <input type="checkbox"/> Approved <input type="checkbox"/> Approved w/Conditions <input type="checkbox"/> Denied Signature: _____ Date: _____		

Special Zone or Reviews		Zoning Appeal		Historic Preservation	
<input type="checkbox"/> Shoreland	<input type="checkbox"/> Wetland	<input type="checkbox"/> Variance	<input type="checkbox"/> Miscellaneous	<input checked="" type="checkbox"/> Not in District or Landmark	<input type="checkbox"/> Does Not Require Review
<input type="checkbox"/> Flood Zone	<input type="checkbox"/> Subdivision	<input type="checkbox"/> Conditional Use	<input type="checkbox"/> Interpretation	<input type="checkbox"/> Requires Review	<input type="checkbox"/> Approved
<input type="checkbox"/> Site Plan	<input type="checkbox"/> Maj <input type="checkbox"/> Minor <input type="checkbox"/> MM <input type="checkbox"/>	<input type="checkbox"/> Approved	<input type="checkbox"/> Denied	<input type="checkbox"/> Approved w/Conditions	<input type="checkbox"/> Denied
Date: 4/20/06		Date:		Date: 4/20/06	

**CERTIFICATION**

I hereby certify that I am the owner of the named property, or that the proposed work is authorized by the owner of record and that I have been authorized by the owner to make this application as his authorized agent and I agree to conform to all applicable laws of this jurisdiction. In addition, if a permit for work described in the application is issued, I certify that the code official's authorized representative shall have the authority to enter all areas covered by such permit at any reasonable hour to enforce the provision of the code(s) applicable to such permit.

SIGNATURE OF APPLICANT	ADDRESS	DATE	PHONE
RESPONSIBLE PERSON IN CHARGE OF WORK, TITLE		DATE	PHONE

# City of Portland, Maine - Building or Use Permit

389 Congress Street, 04101 Tel: (207) 874-8703, Fax: (207) 874-8716

Permit No:	06-0533	Date Applied For:	04/20/2006	CBL:	427 B010001
------------	---------	-------------------	------------	------	-------------

Location of Construction: 26 WORDSWORTH ST	Owner Name: BOUCHER NAN M	Owner Address: 26 WORDSWORTH ST	Phone:
Business Name:	Contractor Name: New England Stove Co.	Contractor Address: 747 Broadway So Portland	Phone (207) 799-2241
Lessee/Buyer's Name	Phone:	Permit Type: HVAC	

Proposed Use:  
Single Family Home/ install a pellet stove into an existing double wall calss "A" existing chimney

Proposed Project Description:  
install a pellet stove into an existing double wall calss "A" existing chimney

Dept: Zoning Note:	Status: Approved	Reviewer: Tammy Munson	Approval Date: 04/20/2006	Ok to Issue: <input checked="" type="checkbox"/>
-----------------------	------------------	------------------------	---------------------------	--

Dept: Building Note:	Status: Approved with Conditions	Reviewer: Tammy Munson	Approval Date: 04/20/2006	Ok to Issue: <input checked="" type="checkbox"/>
1) Installation shall comply with the manufacturers installation instructions.				

**Comments:**

4/20/06-ldobson: waiting for additional faxed info.

# General Building Permit Application



If you or the property owner does not elect or personal property taxes or user charges on any property within the City payment arrangements must be made before permits of any kind are accepted.

Location/Address of Construction		26 Wardsworth St. Portland 04103	
Total Square Footage of Proposed Structure		N/A	
Total Square Footage of Lot		N/A	
Tax Assessor's Chart, Block & Lot	Owner	Telephone	
Chart # 3102# Lot#	Nan Boucher	207-409-9876	
Lessee/Buyer's Name (If Applicable)	Applicant name, address & telephone	Cost Of Work \$	
	Nan Boucher 26 Wardsworth St Portland Me 04103	3500.00	
Current Specific use:	Proposed Specific use:	Per \$	Colo Per \$
wood burning stove	pellet wood burning stove		
Project description: Installing a wood pellet stove into an existing double wall class "A" chimney already installed thru the roof.			
Contractor's name, address & telephone:		NEW England Stove Co.	
Who should we contact when the permit is ready:		Matt Boucher 799-2241	
Mailing address:		747 Broadway South Portland Maine 04106	
OR Phone:		JAM Mackey	

Please submit all of the information outlined in the Commercial Application Checklist. Failure to do so will result in the automatic denial of your permit.

In order to be sure the City fully understands the full scope of the project, the Planning and Development Department may request additional information prior to the issuance of a permit. By further information with us on-line at [www.ci.portland.me.us](http://www.ci.portland.me.us) stop by the Building Inspection office, Room 315 City Hall or call 874-8703.

I hereby certify that I am the Owner of record of the named property or that the owner of record authorizes the proposed work and that I have been authorized by the owner to make this application or his/her authorized agent. I agree to conform to all applicable laws of this jurisdiction. In addition, if a permit for work described in this application is issued, I certify that the Code Official's authorized representative shall have the authority to enter all areas covered by this permit at any reasonable hour to enforce the provisions of the code applicable to this permit.

Signature of applicant: [Signature] Date: 4/11/06

This is not a permit; you may not commence ANY work until the permit is issued.

FAX 11 3306 (costs vary)  
APR 20 '06 (FRI) 08:15 COMMUNICATION No: 26 PAGE 1  
48-00



# FAX COVER SHEET

SHAMROCK ENTERPRISES, INC.  
 New England Stove Company  
 747 Broadway  
 South 347-4217  
 207-799-9372 fax

Send to: <i>Steve at Pot House</i>	From: Tom McGlynn
Fax Number:	Date: 4-20-06

- Urgent  
  Reply ASAP  
  Please comment  
  Please review  
  For your information

Total pages, including cover **9**

Comments: *Hi Lemmie*

*The model is a accenta pellet  
 stove # 1-90-02470-1 direct vent  
 The installation is on page 8  
 figure # 7 (circled)*

*Thank you  
 Tom Mc Glynn*

**IMPORTANT: CORN-BURNING APPLIANCES**  
 For corn-burning appliances, it is required that you use Corn Vent. Corn Vent has been constructed to better withstand the more corrosive exhaust of corn-burning appliances. Refer to the table below for the list of available Corn Vent components. For other components not listed (components not in contact with exhaust gases), use a regular Pellet Vent component (examples: Support Boxes, Tee Support NO. 693 ratchet, Flashing).

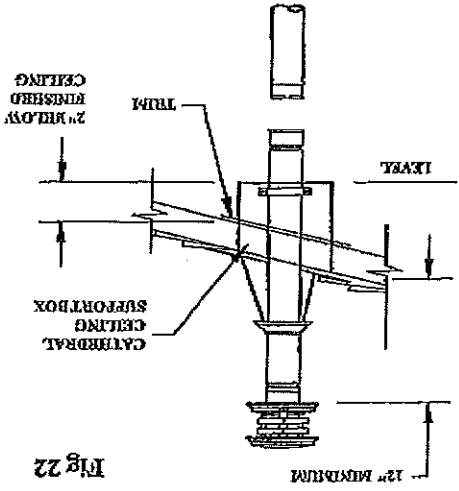
Corn Vent Parts List (available in 3" and 4" diameter)

Pipe Sections: 6", 12", 24", 36", 60" lengths  
 Adjustable Length Pipe  
 Stove Top Pipe Adapter  
 45 & 90 Degree Elbows  
 Single Tee with Clean-Out Adapter  
 Clean-Out Adapter  
 Vertical Cap  
 Round and Square Horizontal Caps  
 Wall Thimble

**VENT LISTING**  
 Pellet Vent and Corn Vent are listed (listing numbers MH8381 & MH14420) to the American standard UL 641 Type L Low Temperature Venting Systems. Pellet Vent and Corn Vent are also listed to the Canadian standards ULCS609 Standard for Low Temperature Vents Type L and UL/ORD-C41 Standard for Pellet Vents.

**INSTALLATION NOTES**

For the purpose of these instructions, Pellet Vent will collectively include Pellet Vent and Corn Vent, unless Corn Vent is specifically called out. Proper planning for your Pellet Vent installation will result in greater safety, efficiency, and convenience, saving both time and money. Use only authorized Simpson Dura-Vent Pellet Vent listed parts. Do not install damaged parts. When installing a Corn-burning appliance or an appliance that can burn both pellets and corn use Corn Vent parts as specified above.

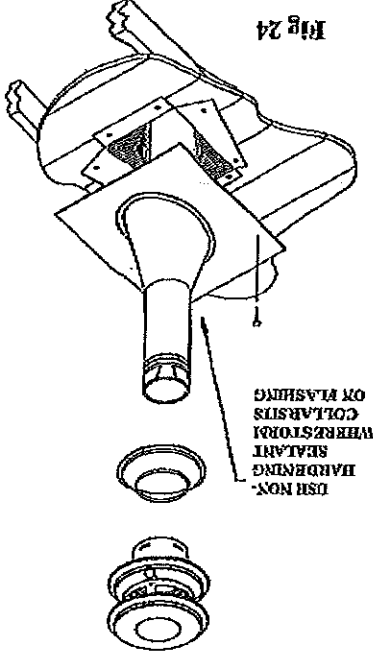


the roof, run a bead of non-hardening sealant around the outside top edges of the Support Box so as to make a seal between the box and the roof. Clean out any combustible material or debris from inside the Support Box.

8. Place the Pipe Clamp, (which comes as a component of the Support Box) around the top of the hole in the bottom of the Support Box (Figure 23).

9. Connect the necessary amount of pipe sections to reach the stove at a point where the Cap will be at least 12-inches above the roof (Figure 22).

10. Run the assembled pieces of pellet vent pipe down through the Clamp of the Support Box and connect to the appliance with a Pipe Adapter.



Using a level, make slight adjustments in the position of the appliance until the pipe is truly vertical. Tighten the bolts in the Clamp. Note that the overall length of the pellet vent pipe as assembled, can be no longer than 42 feet.

11. Slip the Flashing over the pipe section(s) protruding through the roof. Secure the base to the roof with roofing nails as shown in Figure 24. Insure that the roofing material overlaps the top edge of the Flashing (Refer to Figure 2).

**GENERAL INSTALLATION INSTRUCTIONS**

8 Pellet Vent and Corn Vent are listed with a minimum 1" clearance to combustibles (clearance in Canada when used on pellet- or corn-burning appliances), however, the Ceiling Support/Firestop Spacer, Cathedral Ceiling Support Box, Wall Thimble and Tee Support Brackets are manufactured to satisfy the clearance requirements of both US and Canada. Refer to Table 1 for framing requirements needed for these components.

NO. 693

1. Follow the stove/appliance manufacturer's instructions.
- A. Choose an appliance that is listed by a recognized testing laboratory.
- B. Connect only one five per appliance.
- C. Follow the appliance manufacturer's instructions and safety manual for maximum efficiency and safety. Overfitting can damage the appliance and vent.

2. If the vent exit is on top of the stove (Figure 1):
  - A. Place the appliance according to the manufacturer's instructions.
  - B. Drop a plumb bob to the center of the appliance flue outlet and mark center point on the ceiling, cut a square hole in the ceiling for the Ceiling Support Firestop Spacer. Refer to Table 1 for the dimensions of the hole.
  - C. Connect Fire Adapter to stove. Attach each section of pipe by pushing male and female ends of pipe together and twisting until pipe is in locked position.
  - D. When the pipe passes through the Ceiling Support Firestop Spacer at flue, tighten bolt and clamp around pipe.

**E. ALWAYS MAINTAIN AT LEAST 1" CLEARANCE FROM COMBUSTIBLE MATERIALS (3" clearance in Canada when installed pellet- and corn-burning appliances).** Where the chimney passes through additional floors and ceilings, always install a Ceiling Support Firestop Spacer.

F. When the Pellet Vent enters the Attic, install an Attic Insulation Shield around the framed opening. Adjust the height of the Attic Insulation Shield by sliding the cylindrical shield over the one from the base. Insure that the top of the Shield is above the level of building insulation. Secure the Shield in place with at least two sheet metal screws through the side of the cylindrical shield. Attach collar around the top of the Attic Insulation shield.

4

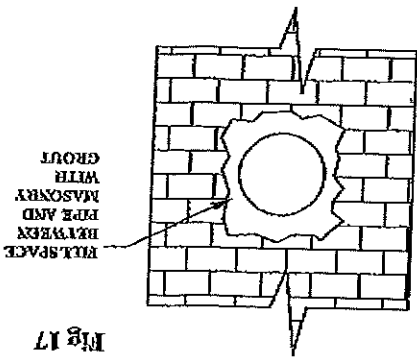
APR. 20, 2006 8:28 AM  
VERXAS LAW  
3 vent (Figures 1 & 3). This will prevent insulation and debris from collecting near the vent pipe. Use (4) wood screws to secure the base of the Attic Insulation Shield to the cylindrical shield over the one from the base. Insure that the top of the Shield is above the level of building insulation. Secure the Shield in place with at least two sheet metal screws through the side of the cylindrical shield. Attach collar around the top of the Attic Insulation shield.

needed to accommodate the offset.

B. A Tee is installed at the bottom end of the vertical pipe (Figure 16).

C. A Reduction Collar or a Trim Collar is required to go around the pipe section that passes through the masonry to give it a finished look (Figure 16).

3. It will be necessary to break out the masonry around the location of the pipe center line mark to a diameter of at least 4 inches for 3 inch pipe, and at least 5 inches in diameter for 4 inch pipe.



4. Install the Tee on the bottom of the vertical pipe system and lower it down the chimney until the center of the branch of the Tee is level with the center of the hole in the masonry. Connect horizontal pipe section to the Tee branch.

5. Holding the pipe at the proper elevation, install the Storm Collar and Cap, as described in Step 11 for the fireplace installation.

6. Connect the horizontal piece of pipe which goes through the masonry to the Tee by pushing it through the hole in the masonry, and fitting it up with the branch of the Tee. Then push it into the Tee, while twisting to lock it.

7. Once the horizontal pipe section is in place, the space between the pipe and the masonry may be filled with high temperature grout, as shown in Figure 17, if desired.

8. Install the Reduction Collar or Trim Collar, the 90° Elbow, and the vertical pipe section going to the appliance. An Adjustable Pipe length will probably be needed, as well as a Pipe Adapter.

9. Conduct a final inspection of the entire job, and review the manufacturer's operating and installation instructions once more, before firing the appliance.

**INSTALLATION IN A CATHEDRAL CEILING**

1. Mark a line on the side of the Cathedral Ceiling Support Box to correspond to the line of the roof pitch, as shown in Figure 18. Allow for the Support Box to provide below the low side of the finished ceiling a minimum of 2 inches.

2. Position the appliance at its proper location on the floor. Pay close attention to the manufacturer's installation instructions regarding the distances from combustibles, etc. The appliance must also be positioned so the Support Box will not interfere with roof rafters or other structural framing.

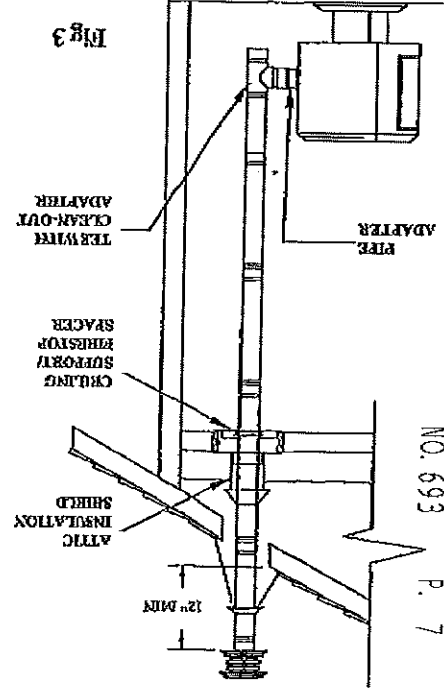


Fig 3

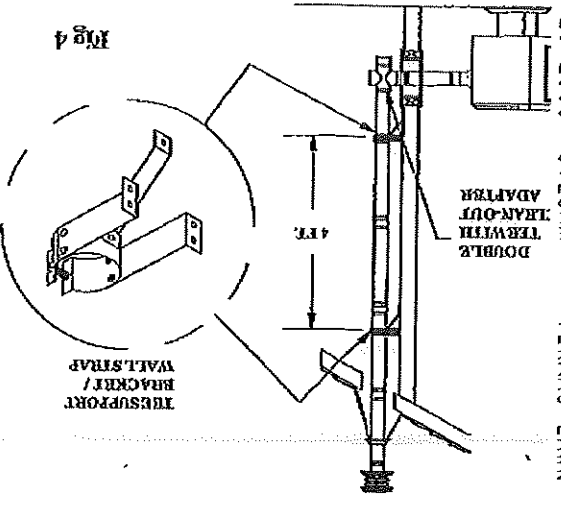


Fig 4

**C.** After lining up for the hole in roof, using the same method as 2.(B), cut either a round or square hole in the roof. Always cut the hole with the proper clearance to combustibles. Install the upper edge and sides of flashing under the roofing materials and nail to the roof along the upper edge. Do not nail across the lower edge. Seal all nail heads with non-hardening waterproof sealant.

**H.** To finish, apply high-temperature waterproof sealant where the Storm Collar will meet the vent and flashing; slide Storm Collar down until it sets on the flashing, put the Cap on and twist to lock (Figure 2).

**3.** If the flue exits on back of stove and an interior installation is desired (Figure 3):  
**A.** Place the appliance according to the manufacturer's instructions.  
**B.** Connect a Tee Adapter to the back of the stove and attach a Tee to the Tee Adapter, align, push together and twist to lock.  
**C.** Continue to assemble pipe as described in Step 2.

**4.** If the flue exit is on the back of stove, and an exterior vertical installation is desired (Figure 4):  
**A.** Place the appliance according to manufacturer's instructions.  
**B.** Cut a square opening in the wall in accordance with the

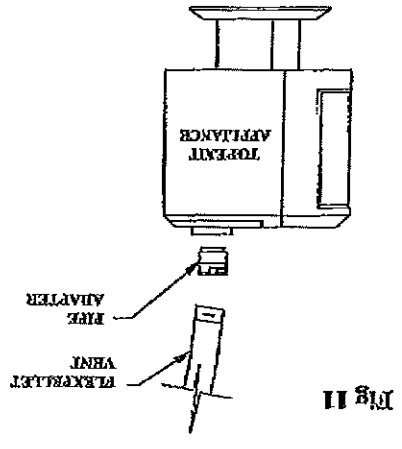


Fig 11

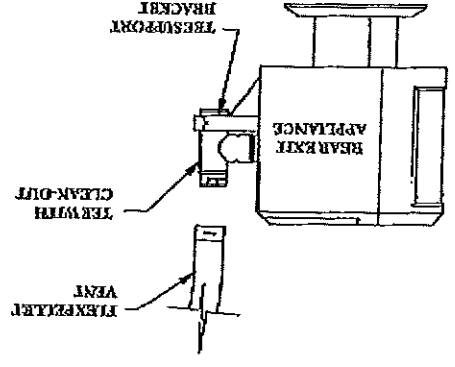


Fig 12

shown in Figure 10 may be made. It may be necessary to contact the manufacturer of the unit to determine exactly what may or may not be done to make the correct connection. Some typical arrangements are shown in Figures 1 and 12. A Tee Adapter may be needed, depending on the exit size of the stove or insert collar. 9. If a Tee is necessary to make the connection, as shown in Figure 12, the Tee has a removable Clean Out Adapter on its base to enable cleaning. The Tee Support Bracket to hold the Tee to the rear of the appliance is mandatory. If it is desired to mount the Tee Support to the rear of the stove, obtain approval from the manufacturer of the stove before

**10.** Connect the appliance to the coupling on the bottom of the Flex Pipe, by twisting to the locked position. Push the appliance into the fireplace to its final resting place. Go to the top of the chimney and pull the vent system up to its desired height.  
**11.** For the termination of the Cone Flashing, and a Storm Collar. This will require 14 inches of pipe

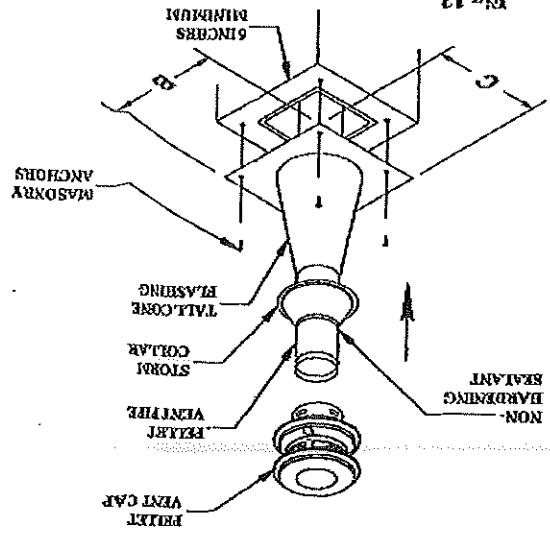


Fig 13

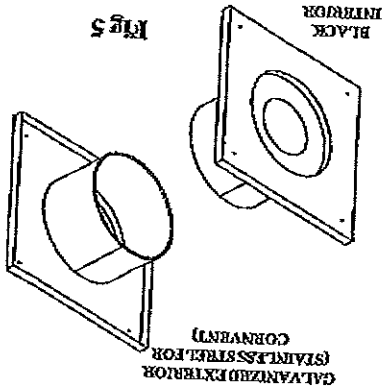


Fig 5

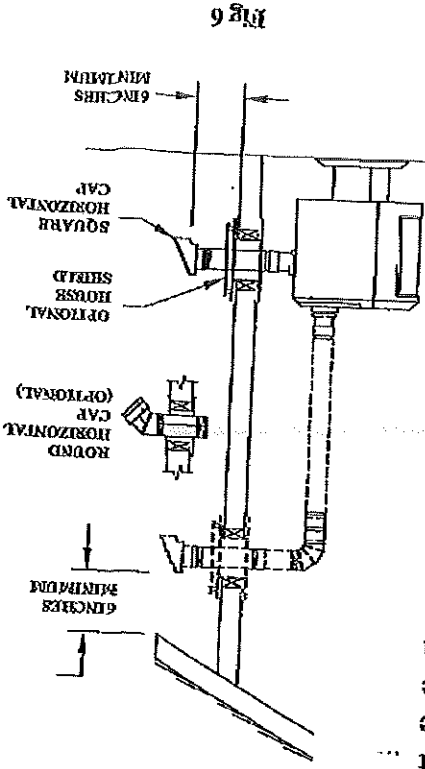


Fig 6

dimensions in Table 1. The black portion of the Wall Thimble is to be attached to the interior wall, and the galvanized portion (stainless steel on Corn Vent) is to be attached to the exterior wall. The Wall Thimble adjusts to fit walls from 3"-8" thick (Figure 5).

C. Connect a Pipe Adapter to back of stove; attach pipe to penetrate wall so vertical section from Tee will be 3" from the exterior of the wall. Attach a Single Tee or a Double Tee with Clean-Out Adapter, and proceed up the wall. Attach a Tee Support/Wall Strap just above the tee. A Tee Support/Wall Strap must be placed every 4 feet along the vertical run. Assemble pipe in the same manner described in Step 2 of the general instructions. If an Adjustable Length is required in the horizontal run, and the Adjustable Length must enter the Wall Thimble, the diameter of the center hole in the Wall Thimble must be enlarged by 1/8"

to accommodate the Adjustable Length. D. Seal the exterior section of the Wall Thimble to the wall with non-hardening waterproof sealant. As an option, you may also seal the gap between the pipe and Wall Thimble with sealant.

5. If the flue exits on back of the stove, and a horizontal through-the-wall installation is desired (Figure 6):

A. Place the appliance according to manufacturer's instructions.

B. Connect the Pipe Adapter to back of stove and attach sufficient pipe to penetrate

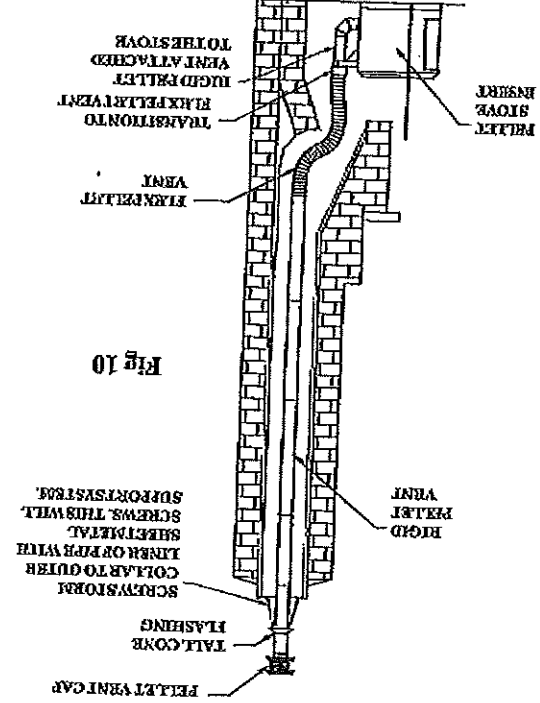


Fig 10

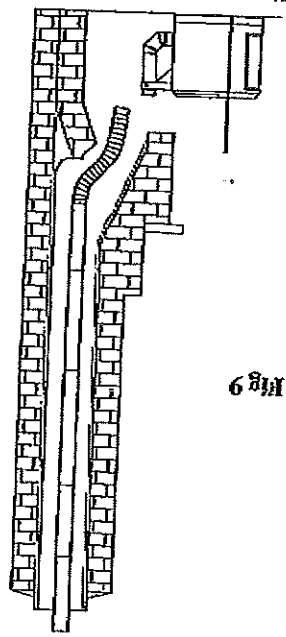


Fig 9

4. Use dimension "A" to determine total pipe requirements. Add 12 additional inches to insure the termination is an adequate distance above the roofline.

5. The gross pipe required will be "A" dimension plus 12 inches. Five feet of this will be Flex Pipe. The remainder will be rigid pipe. For each joint, subtract 1-1/2 inches to allow for the overlap. You may need extra pipe, or an adjustable length pipe section to achieve the correct height.

Assemble the first rigid pipe section to the Flex Pipe, insuring that the "UP" arrows down on the pipe labels are, in fact, pointing up. Push the sections together and twist to lock. Screws are not required for a firm lock, however, should it be desired to use them, use stainless steel sheet metal screws 1/4-inch long - DO NOT penetrate the inner liner of the pipe.

Repeat this process for the remainder of the pipe sections, and lower the assembly down the chimney as shown in Figure 9. Lower it below its normal position in order to connect the Flex Pipe to the pipe on the appliance. It may be necessary to tie a line to the top section, to pull it back up later.

In making the connection at the appliance, configurations other than the one shown in Figure 9 may be necessary.



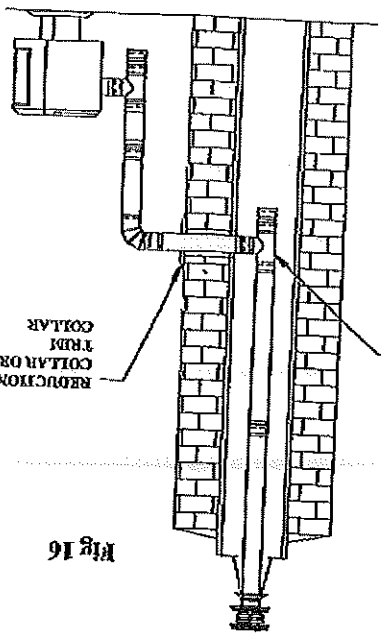


Fig 16

**INSTALLATION THROUGH SIDE OF MASONRY CHIMNEY**

1. Set the appliance in its final location and mark the center of the hole where the pipe is to penetrate the masonry chimney (Figure 16). Insure that you comply with the manufacturer's specifications in regards to clearance and distances from combustible surfaces.
2. The pellet vent system is assembled essentially the same as previously described for installation in an existing masonry chimney with the exceptions listed:
  - A. No Flex Pipe is required, unless the masonry chimney has an offset. If an offset exists, then a section of Flex Pipe will be

above the top of the masonry chimney. Pull the pipe up through the flashing to the desired height. Mark where the Storm Collar will go. Slip the Storm Collar down over the pipe, and affix it to the pipe with a 1/4" long stainless steel sheet metal screw. (Figures 13 & 14). The Storm Collar will then support the entire vent system. Install the Cap. Seal the joint at the Storm Collar, and any other joints or seams which may appear suspect. Figure 15 shows a Tall Cone Flashing modified to fit a chimney where the tile liner protrudes above the masonry, as another alternate termination technique. This completes the masonry installation.

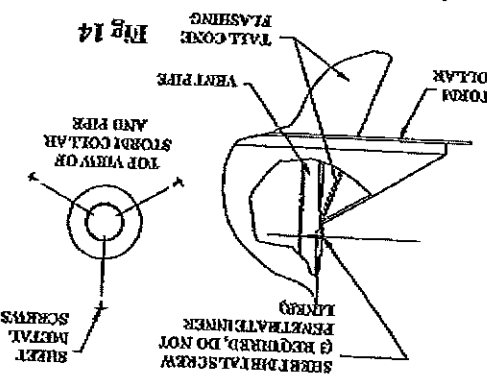


Fig 14

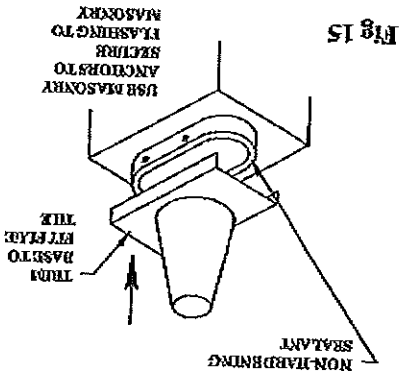


Fig 15

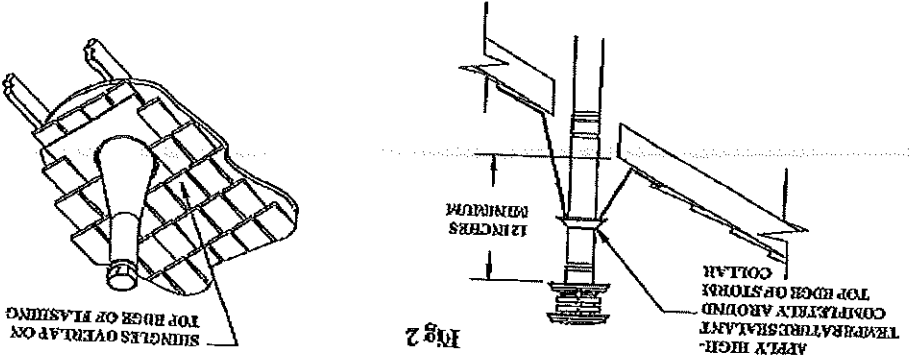


Fig 2

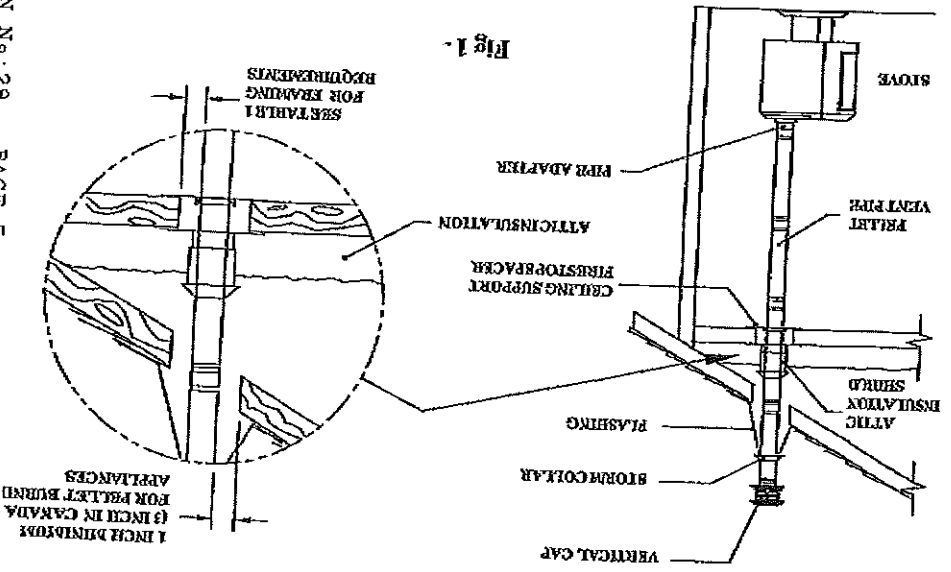
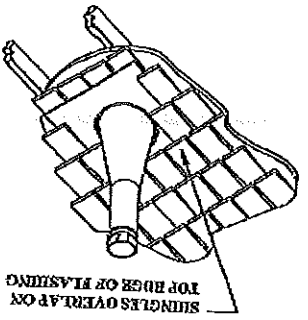


Fig 1

Vent Component	Framing Dimensions
3" Ceiling Support/Firestop Spacer	9-3/4" x 9-3/4"
4" Ceiling Support/Firestop Spacer	10-3/4" x 10-3/4"
3" & 4" Cathedral Ceiling Support Box	10-3/4" x 10-3/4"
3" & 4" Wall Thimble	7-1/2" x 7-1/2"

TABLE 1

- 1. WARNING:** When passing through ceilings and walls, make sure all combustible materials and building insulation products are a minimum of 1" from the vent pipe (minimum of 3" in Canada when used on pellet- or corn-burning appliances).
- When exiting through walls, make sure NFPA rules are followed for distance from windows and openings. These rules are shown on page 6.
- Do not mix and match with other products or improvised solutions.
- Practice good workmanship. Sloppy work could jeopardize your Pellet Vent installation.
- Never use a vent with an inside diameter that is smaller than the appliance flue outlet.
- 6. Multistory:** Where Pellet Vent passes through the ceiling, use Simpson Dura-Vent Firestop/Support assembly.
- 7. Pellet Vent placement:** When deciding the location of your stove and vent, try to minimize the alteration and reframing of structural components of the building.
- Sections of pipe are connected to each other by pushing them firmly together and twisting. Screws are not required. If however, screws are desired, use 1/4"-long sheet metal screws. Under no circumstances, penetrate the inner liner with screws.
- 9. RTV Sealant** may be required at all vent joints. Refer to Appliance manufacturer's instructions. Never install single-wall pipe to freestanding pellet stoves. Single-wall pipe may be connected to a fireplace insert, provided it is inside the fireplace, and the fireplace has completely sealed surroundings.
- 11. Do not** connect B-Vent pipe with aluminum liners to pellet appliances.
- 12. Inspections:** Using pelletized fuel does not eliminate the need for inspection and cleaning. During the heating season, inspect monthly, and clean at least once a year.

**TOOLS AND EQUIPMENT YOU MAY NEED**

- Eye Protection
- Gloves
- Screwdriver
- Hammer
- High-Temperature Waterproof (RTV) Sealant
- Tape Measure
- Saber or Keyhole Saw

**PERMITS**

Contact your local building department or fire officials regarding any needed permits, restrictions, and installation inspection requirements in your area.

APR 20 06 (FRI) 06:47 COMMUNICATION No: 29 PAGE 7

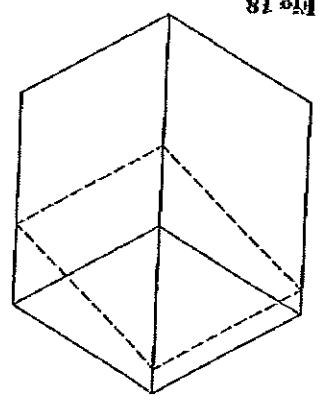


Fig 18

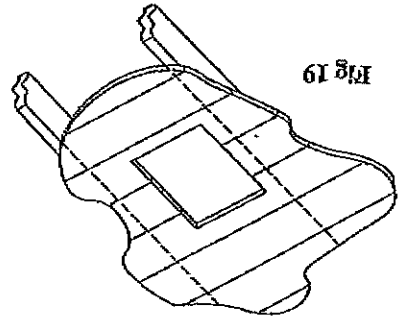


Fig 19

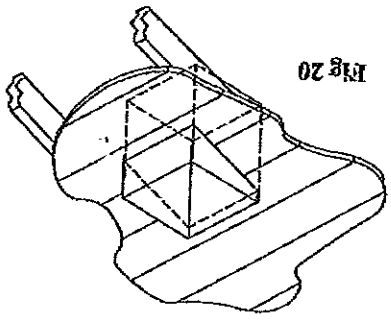


Fig 20

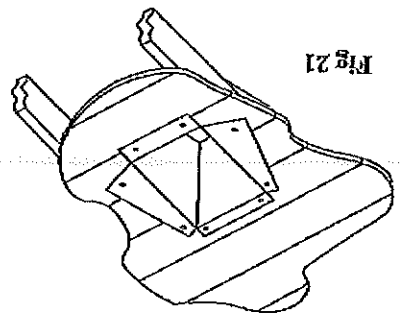


Fig 21

3. Run a plumb line from the center of the flue exit on the stove to the ceiling. Mark the point on the ceiling where the plumb line intersects. This represents the center of the support box. Drill a small hole through the ceiling at this point, so it can be located from the top of the roof.
4. From the roof, locate and mark the outline of the Support Box.
5. Remove shingles or other roof covering as necessary to cut the rectangular hole for the Support Box. Cut the hole 1/8-inch larger than the dimensions of the Support Box. (Figure 19). The rectangular hole should be centered on the small hole which you drilled through the ceiling to mark the location. Again, verify that you are not cutting through rafters or framing members.

6. Run the Support Box through the roof as shown in Figure 20, and place it so that the bottom of the Support Box protrudes at least 2 inches below the finished ceiling. Align the Support Box vertically and horizontally with a level. Temporarily tack the Support Box in place through the inside walls and into the roof sheathing.
7. Using tin snips, cut the Support Box from the top corners down to the roof line, and fold the resulting flap over the roof sheathing (Figure 21). Before nailing it to



**CLEANING AND MAINTENANCE**

1. Have your system cleaned by a certified chimney sweep. If you have doubts about your ability to clean it. Use a plastic or flexible steel brush. Do not use a stiff brush that will scratch the stainless steel liner of your system.
2. Pellet vent systems must be installed so that access is provided for inspection and cleaning.
3. The pellet vent should be inspected at least once every month during the heating season.

4. Do not use chemical cleaners. They can damage the vent pipe.
5. To increase pellet vent life, coat all exterior metal parts with high temperature, rust proof paint. This is highly recommended, particularly in areas near the ocean.
6. In case of a chimney fire, close all appliance draft openings, shut off pellet appliance and call your Fire Department. Do not use the appliance or vent until it has been inspected for possible damage.
7. Simpson Dura-Vent is not responsible for fire by-products that might discolor roofs or walls.

**WARRANTY**

Simpson Dura-Vent warrants Pellet Vent for a period of 25 years from date of installation. The warranty includes all Simpson Dura-Vent components and fittings except Caps. Termination Caps carry a five year warranty. This warranty applies only to parts manufactured by Simpson Dura-Vent. All warranties, whether expressed or implied, shall be limited to replacement (exclusive of installation costs) if the product found to be defective under this warranty providing all recommended installation and maintenance instructions are followed.

**SIMPSON DURA-VENT, INC.**  
**ENGINEERED EXCELLENCE**  
 45 YEARS OF LEADERSHIP IN CHIMNEY DESIGN.  
 SIMPSON DURA-VENT, P.O. BOX 1510,  
 VACAVILLE, CA 95696-1510  
 WICKSBURG, MS  
 (800) 835-4429 (707) 446-4740 FAX  
[www.dura-vent.com](http://www.dura-vent.com)

Aug 2005 L502

**A MAJOR CAUSE OF VENT RELATED FIRES IS FAILURE TO MAINTAIN REQUIRED CLEARANCES (AIR SPACES) TO COMBUSTIBLE MATERIALS. IT IS OF THE UTMOST IMPORTANCE THAT DOUBLE WALL PELLET VENT BE INSTALLED ONLY IN ACCORDANCE WITH THESE INSTRUCTIONS.**

Read through all of these instructions before beginning your installation. Failure to install as described in this instruction will void the manufacturer's warranty, and may have an effect on your homeowner's insurance and UL listing status. Keep these instructions for future reference. This booklet also contains instructions for installing a venting system within an existing masonry chimney, and for installations passing through a cathedral ceiling.

**CLEARANCES AND APPLICATIONS**

Simpson Dura-Vent's Pellet Vent (including Corn Vent) is listed by Underwriters Laboratories as vent for listed oil-, pellet-, and corn-burning appliances. Pellet Vent and Corn Vent are also listed as a masonry reliner, in which case the minimum clearance is 0" from vent to masonry, and 0" clearance from the masonry to nearby combustibles. Never fill any required clearance space with insulation or any other materials. Combustible materials include (but are not limited to) lumber, plywood, sheetrock, plaster and lath, furniture, curtains, electrical wiring, and building insulation of any kind. In the United States, the minimum clearance to combustibles from Pellet Vent or Corn Vent is 1" for oil-burning, pellet-burning, and corn-burning applications. In Canada, the minimum clearance to combustibles from Pellet Vent or Corn Vent is 1" for oil-burning applications, and 3" for pellet-burning and corn-burning applications.



**PELLET VENT  
 AND CORN VENT  
 INSTALLATION  
 INSTRUCTIONS**



UL  
 LISTED  
 MHS381  
 MH14420

Wall Trumble and extend at least 6" beyond the exterior wall. You may install the optional House Shield as shown in Figure 6. The House Shield is used to protect the exterior wall from vent discharge. Attach a Square or Round Horizontal Cap. The Round Horizontal Cap can be swiveled to be directed away from nearby objects (fence, plants, etc.), but must still be pointing in a generally downward direction to insure rain and snow do not enter the cap, and cause potential damage to the appliance. Either vent Cap should be at least 6" from the wall.

C. Follow the below listed NFPA 211 rule for distance of exit terminal from windows and openings:  
 NFPA 211 (2003 ed.) Section 10.4 Termination: 10.4.5 (1) The exit terminal of a mechanical draft system other than a direct vent appliance (sealed combustion system appliance) shall be located in accordance with the following:  
 (a) Not less than 3 ft. (91mm) above any forced air inlet located within 10 ft. (3m).  
 (b) Not less than 4 ft. (1.2m) below, 4 ft. (1.2m) horizontally from or 1 ft. (305mm) above any door, window or gravity air inlet into any building.  
 (c) Not less than 2 ft. (0.61m) from an adjacent building and not less than 7 ft. (2.1m) above grade when located adjacent to public walkways.

6. If it is desired to attach to an existing 6", 7" or 8" DuraTech, DuraPlus or DuraChimney chimney, either roof supported, or ceiling supported: (Figure 7).  
 A. Remove any existing connector pipe, adapter or connector going into the existing support box.

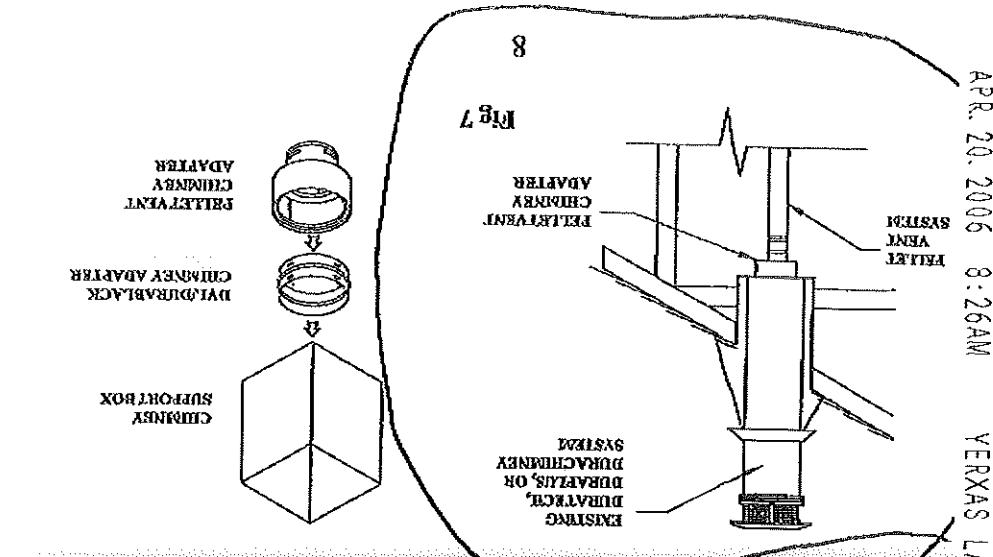


Figure 7

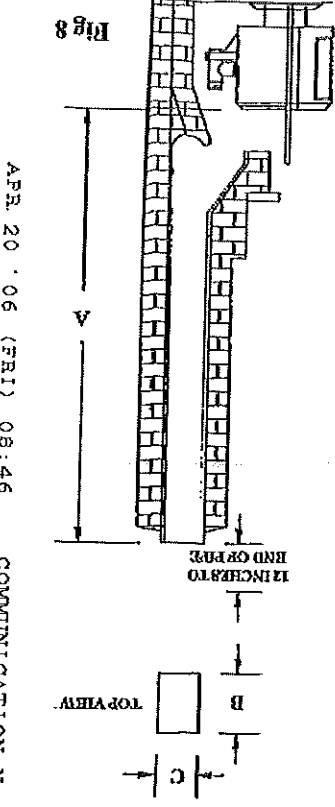


Figure 8

B. Visually inspect with a flashlight the condition of the interior of the chimney for cleanliness and structural integrity. All evidence of soot and creosote must be removed from the existing chimney system. If you doubt your ability to accomplish this, contact a certified chimney sweep. Do not use chemical cleaners, as these can possibly damage the inside of the chimney. Do any required maintenance on the existing chimney system at this time.

C. Install a DVL/Durablack Chimney Adapter - product stock numbers (6") 8674, (7") 8774, or (8") 8874 - in the existing ceiling support box, as shown in Figure 7. Note that the DVL/Durablack Chimney Adapter only connects to Simpson Dura-Vent chimney systems.

D. Connect the appropriate size Chimney Adapter to the DVL/Durablack Chimney Adapter.

E. Connect the appliance to the Chimney Adapter using a Pipe Adapter, lengths of pipe as required, and an Adjustable Length pipe. Slide the Adjustable Length down over the top pipe section, position the installation vertically plumb, then slip the Adjustable Length up and twist lock it to the Chimney Adapter. Once all the components are firmly seated and properly aligned, carefully drill three 1/8" diameter holes through the outer sleeve only in the center of the slots located at the bottom of the Adjustable Length pipe. Do not penetrate the inner liner. Use (3) 3/8" length sheet metal screws to secure the Adjustable Length pipe. The completed installation will look like Figure 7.

**INSTALLATION INTO A MASONRY FIREPLACE**

1. Have the masonry chimney inspected by a certified chimney sweep or installer, to determine its structural condition.

2. Carefully read the pellet stove or insert installation instructions.

3. Measure and record the dimensions as shown in Figure 8.

# DISPLAY THIS CARD ON PRINCIPAL FRONTAGE OF WORK CITY OF PORTLAND

Please Read  
Application And  
Notes, If Any,  
Attached

This is to certify that BOUCHER NAN M /New  
has permission to install a pellet stove into an  
at 26 WORDSWORTH ST

and Stove Co  
ing do  
with  
s "A" ex  
ing chimney

427 **CITY OF PORTLAND**

**PERMIT ISSUED**  
Permit Number: 060553

APR 25 2006

provided that the person or persons  
of the provisions of the Statutes of  
the construction, maintenance and  
this department.

Apply to Public Works for street line  
and grade if nature of work requires  
such information.

ification  
n and w  
re this  
ed or  
UR NOTICES REQUIRED

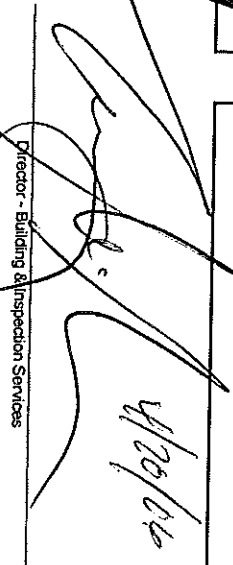
A certificate of occupancy must be  
procured by owner before this build-  
ing or part thereof is occupied.

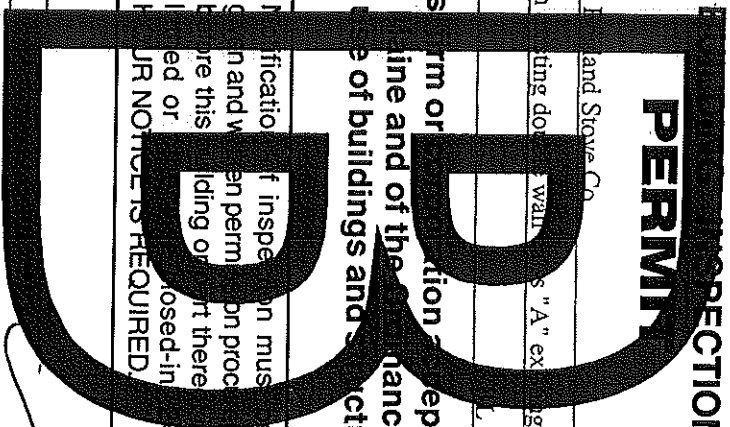
### OTHER REQUIRED APPROVALS

Fire Dept. \_\_\_\_\_  
Health Dept. \_\_\_\_\_  
Appeal Board \_\_\_\_\_  
Other \_\_\_\_\_

Department Name

### PENALTY FOR REMOVING THIS CARD

  
Director - Building & Inspection Services



# BUILDING PERMIT INSPECTION PROCEDURES

Please call 874-8703 or 874-8693 to schedule your

inspections as agreed upon

Permits expire in 6 months, if the project is not started or ceases for 6 months.

The Owner or their designee is required to notify the inspections office for the following inspections and provide adequate notice. Notice must be called in 48-72 hours in advance in order to schedule an inspection:

By initializing at each inspection time, you are agreeing that you understand the inspection procedure and additional fees from a "Stop Work Order" and "Stop Work Order Release" will be incurred if the procedure is not followed as stated below.

A Pre-construction Meeting will take place upon receipt of your building permit.

NA Footing/Building Location Inspection: Prior to pouring concrete

NA Re-Bar Schedule Inspection: Prior to pouring concrete

NA Foundation Inspection: Prior to placing ANY backfill

NA Framing/Rough Plumbing/Electrical: Prior to any insulating or drywalling

✓ Final/Certificate of Occupancy: Prior to any occupancy of the structure or use. NOTE: There is a ~~\$7500~~ 500 fee per inspection at this point.

Certificate of Occupancy is not required for certain projects. Your inspector can advise you if your project requires a Certificate of Occupancy. All projects DO require a final inspection

NA If any of the inspections do not occur, the project cannot go on to the next phase, REGARDLESS OF THE NOTICE OR CIRCUMSTANCES.

NA CERTIFICATE OF OCCUPANCIES MUST BE ISSUED AND PAID FOR, BEFORE THE SPACE MAY BE OCCUPIED

NA Signature of Applicant/Designee 4/26/18 Date

Signature of Inspections Official 4/24/18 Date

CBL: 427 BOLD Building Permit #: 066533?