

**City of Portland, Maine - Building or Use Permit**

389 Congress Street, 04101 Tel: (207) 874-8703, Fax: (207) 874-8716

<b>Location of Construction:</b> 65 Regan Ln Business Name:	<b>Owner Name:</b> Giroux Steven A & Rachel L Jts <b>Contractor Name:</b> Brian Norton <b>Phone:</b>	<b>Permit No:</b> 04-1391	<b>Date Applied For:</b> 09/17/2004	<b>CBL:</b> 348 C071001
<b>Lessee/Buyer's Name</b>	<b>Owner Address:</b> 65 Regan Ln <b>Contractor Address:</b> 9 Commercial Street Portland <b>Permit Type:</b> HVAC	<b>Phone:</b> ( ) 772-2155 <b>Phone</b> (207) 772-2155		
<b>Proposed Use:</b> Single Family home w/heat n glo 8000 gas furnace	<b>Proposed Project Description:</b> Install heat n glo 8000 gas furnace			
<b>Dept:</b> Zoning	<b>Status:</b> Approved	<b>Reviewer:</b> Tammy Munson	<b>Approval Date:</b> 09/29/2004	<b>Ok to Issue:</b> <input checked="" type="checkbox"/>
<b>Dept:</b> Building	<b>Status:</b> Approved with Conditions	<b>Reviewer:</b> Tammy Munson	<b>Approval Date:</b> 09/29/2004	<b>Ok to Issue:</b> <input checked="" type="checkbox"/>
<b>Note:</b> 1) The installation must comply with the State of Maine Gas Regulations.				



FILL IN AND SIGN WITH INK

# APPLICATION FOR PERMIT HEATING OR POWER EQUIPMENT

To the INSPECTOR OF BUILDINGS, PORTLAND, ME.

The undersigned hereby applies for a permit to install the following heating, cooking or power equipment in accordance with the Laws of Maine, the Building Code of the City of Portland, and the following specifications:

348 C 071

Location / CBL. 65 REAGAN LANE Use of Building RESIDENCE Date 9/16/04  
Name and address of owner of appliance. STEVE GIRoux

Installer's name and address Brian Norman  
9 Commercial St

Telephone 772-2155

### Location of appliance:

- Basement
- Floor
- Attic
- Roof

LIVING ROOM

### Type of Fuel:

- Gas
- Oil
- Solid

Appliance Name: HEAT N GAS 5000

U.L. Approved  Yes  No

Will appliance be installed in accordance with the manufacture's installation instructions?  Yes  No

IF NO Explain: \_\_\_\_\_

### Type of Chimney:

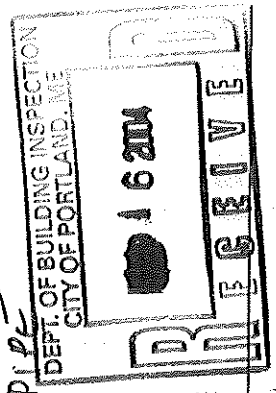
- Masonry Lined
- Factory built

- Metal

Factory Built U.L. Listing # \_\_\_\_\_

Direct Vent

Type MULTIFUEL GAS UL# \_\_\_\_\_



### Type of Fuel Tank

- Oil
- Gas

Size of Tank \_\_\_\_\_

### The Type of License of Installer:

- Master Plumber # \_\_\_\_\_
- Solid Fuel # \_\_\_\_\_
- Oil # \_\_\_\_\_
- Gas # PAT 3869
- Other \_\_\_\_\_

Number of Tanks \_\_\_\_\_

Distance from Tank to Center of Flame \_\_\_\_\_ feet.

Cost of Work: \$ \_\_\_\_\_

Permit Fee: \$ 395.00

Approved

Approved with Conditions

Fire: \_\_\_\_\_

Ele.: \_\_\_\_\_

Bldg.: \_\_\_\_\_

See attached letter or requirement

Signature of Installer Brian Norman

Inspector's Signature \_\_\_\_\_

Date Approved \_\_\_\_\_

White - Inspection

Yellow - File

Pink - Applicant's

Gold - Assessor's Copy

# STATE OF MAINE CHIMNEY OR FIREPLACE DISCLOSURE

Dear Consumer: State law, specifically 32 M.R.S.A., Chapter 33, requires chimney or fireplace installers, as of January 1, 1992, to provide you with this Disclosure prior to the installation work being done on your chimney or fireplace. The purpose of this Disclosure is to help you, as a consumer, make an informed decision as to the abilities of the installer and under what requirements the installation must comply. It is important to note that the State of Maine does not require registration or licensure of chimney or fireplace installers; however, it is just as important to realize that many fires are caused each year by improperly constructed fireplaces and chimneys. For further information about this law, call the Division of Licensing & Registration at 624-8629 or write to the Division at #35 State House Station, Augusta, Maine 04333.

## INSTALLER INFORMATION

Name of Installer BRIAN NORTON  
D.B.A. \_\_\_\_\_  
Name of Installer (if incorporated) THE FINEST KIND  
D.B.A. \_\_\_\_\_  
Legal Address 9 COMMERCIAL ST PORTLAND  
(Street and No.) (City or Town) MAINE 04101  
(State) (County) (Zip Code)  
Home Telephone 1 / 1 Business Telephone 1 / 1  
Years of experience doing fireplace or chimney installations 5 YRS.

## CONSUMER IDENTIFICATION

Consumer's Name STEVE GIBCOX  
Mailing Address 65 REAGAN LANE PORTLAND  
(Street and No.) (City or Town) MAINE 04103  
(State) (County) (Zip Code)  
Home Telephone 1 / 1 Business Telephone 1 / 1

Installer, please give a brief description of installation being offered.

DIRECT VENTED  
HEAT & CO 8000

I, Brian Norton, the installer, hereby attest that the preceding information provided is true to the best of my knowledge. I also understand that if I fail to conform with the standards as outlined in NFPA 211 that I shall be subject to penalties as outlined under Title 32, Chapter 33, Oil and Solid Fuel Board.

Signature Brian Norton

Date 9/16/09

### INSTALLATION STANDARDS

Please check the type of unit(s) that will be installed:

Factory-Built Chimney and Chimney Units

Factory-built chimney and chimney units shall be listed and shall be installed in accordance with the temperature conditions of the listing and the manufacturer's instructions and all requirements of NFPA 221 for chimneys, fireplaces, vents and solid fuel appliances.

Masonry Chimney

Masonry chimneys shall be designed, anchored, supported and re-enforced as required by NFPA 211 for chimneys, fireplaces, vents and solid fuel appliances.

Metal Chimney

Metal chimneys shall be constructed in accordance with NFPA 211, and shall apply good engineering practices as necessary for:

1. Strength to resist stress
2. Adequate anchoring and bracing
3. Durability
4. Security against leakage
5. Allowances for thermal expansion

Factory Built Fireplace

Factory built fireplaces shall be listed and shall be installed in accordance with the terms of its listing and all applicable sections of NFPA 211.

Masonry Fireplace

Masonry fireplaces shall meet the requirements of NFPA 211, Chapter 7 and all other pertinent sections.

Other

Please list on separate sheet of paper if making repairs of pre-existing chimneys, such as repair or replacement of chimney liners, etc.

### CONSUMER CHECKLIST

1. Have you asked for references to be provided by the installer?
2. Is the installer familiar with the NFPA 211 codes and does the installer carry a code book?
3. If the installation is a pre-fabricated or fireplace, is its manufacturer registered with the Maine Oil & Solid Fuel Bd.
4. Does the installer provide any type of written guarantee for the product installation being proposed?
5. Has the installer provided you with a written contract? 10 M.R.S.A. Chapter 219-A requires written contracts for any home remodeling or construction with an estimated cost in excess of \$1,400.
6. Have you asked the local fire department or code enforcement officials to inspect the installation during and after completion?

**City of Portland, Maine - Building or Use Permit**

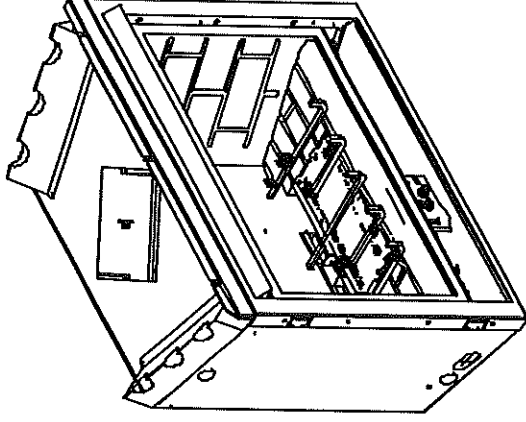
389 Congress Street, 04101 Tel: (207) 874-8703, Fax: (207) 874-8716

Location of Construction:		Permit No: 04-1391	Date Applied For: 09/17/2004	CBL: 348 C071001
65 Regan Ln	Owner Name: Giroux Steven A & Rachel L Jts	Owner Address: 65 Regan Ln		
Business Name:	Contractor Name: Brian Norton	Contractor Address: 9 Commercial Street Portland		
Lessee/Buyer's Name	Phone:	Phone: (207) 772-2155		
Proposed Use: Single Family home w/heat n glo 8000 gas furnace		Permit Type: HVAC		
Proposed Project Description: Install heat n glo 8000 gas furnace				
Dept: Zoning	Status: Approved	Reviewer: Tammy Munson	Approval Date: 09/29/2004	Ok to Issue: <input checked="" type="checkbox"/>
Dept: Building	Status: Approved with Conditions	Reviewer: Tammy Munson	Approval Date: 09/29/2004	Ok to Issue: <input checked="" type="checkbox"/>
Note: 1) The installation must comply with the State of Maine Gas Regulations.				

# HEAT-N-GLO

No one builds a better fire

**Models:**  
**8000TRD**  
**8000TRD-IPI**



## Installers Guide



Underwriters  
Laboratories Listed

**WARNING: IF THE INFORMATION IN THESE INSTRUCTIONS IS NOT FOLLOWED EXACTLY, A FIRE OR EXPLOSION MAY RESULT CAUSING PROPERTY DAMAGE, PERSONAL INJURY, OR DEATH.**

- Do not store or use gasoline or other flammable vapors and liquids in the vicinity of this or any other appliance.
- **What to do if you smell gas**
  - Do not try to light any appliance.
  - Do not touch any electrical switch.
  - Do not use any phone in your building.
  - Immediately call your gas supplier from a neighbor's phone. Follow the gas supplier's instructions.
  - If you cannot reach your gas supplier, call the fire department.
- Installation and service must be performed by a qualified installer, service agency, or the gas supplier.

READ THIS MANUAL BEFORE INSTALLING OR OPERATING THIS APPLIANCE. THIS *INSTALLERS GUIDE* MUST BE LEFT WITH APPLIANCE FOR FUTURE REFERENCE.

**WARNING: IMPROPER INSTALLATION, ADJUSTMENT, ALTERATION, SERVICE OR MAINTENANCE CAN CAUSE INJURY OR PROPERTY DAMAGE. REFER TO THIS MANUAL FOR ASSISTANCE OR ADDITIONAL INFORMATION CONSULT A QUALIFIED INSTALLER, SERVICE AGENCY, OR THE GAS SUPPLIER.**

1. This appliance may be installed in an apartment, permanently located, manufactured (mobile) home, where not prohibited by local codes.
2. This appliance is only for use with the type of gas indicated on the rating plate. This appliance is not convertible for use with other gases, unless a certified kit is used.


Printed in U.S.A. Copyright 2004,  
Heat-N-Glo, a brand of Hearth & Home Technologies Inc.  
20802 Kensington Boulevard, Lakeville, MN 55044

Please contact your Heat-N-Glo dealer for any questions or concerns. For the number of your nearest Heat-N-Glo dealer, please call 1-888-427-3973.


This product is covered by one or more of the following patents: (United States) 4,112,913; 4,408,594; 4,422,426; 4,424,792; 4,520,791; 4,793,322; 4,852,548; 4,875,464; 5,000,162; 5,016,609; 5,076,284; 5,191,877; 5,218,953; 5,328,356; 5,429,495; 5,442,708; 5,542,407; 5,613,487; (Australia) 5,437,90; 5,863,83; (Canada) 1,123,296; 1,237,746; 2,195,264; (Mexico) 97-0457; (New Zealand) 200265; or other U.S. and foreign patents pending.


## SAFETY AND WARNING INFORMATION


 **READ** and **UNDERSTAND** all instructions carefully before starting the installation. **FAILURE TO FOLLOW** these installation instructions may result in a possible fire hazard and will void the warranty.

 Prior to the first firing of the fireplace, **READ** the Using Your Fireplace section of the *Owners Guide*.


 **DO NOT USE** this appliance if any part has been under water. Immediately **CALL** a qualified service technician to inspect the unit and to replace any part of the control system and any gas control which has been under water.

 **THIS UNIT IS NOT FOR USE WITH SOLID FUEL**

 Installation and repair should be **PERFORMED** by a qualified service person. The appliance and venting system should be **INSPECTED** before initial use and at least annually by a professional service person. More frequent cleaning may be required due to excessive lint from carpeting, bedding material, etc. It is **IMPERATIVE** that the unit's control compartment, burners, and circulating air passageways **BE KEPT CLEAN** to provide for adequate combustion and ventilation air.


 Always **KEEP** the appliance clear and free from combustible materials, gasoline, and other flammable vapors and liquids.

 **NEVER OBSTRUCT** the flow of combustion and ventilation air. Keep the front of the appliance **CLEAR** of all obstacles and materials for servicing and proper operations.


 Due to the high temperature, the appliance should be **LOCATED** out of traffic areas and away from furniture and draperies. Clothing or flammable material **SHOULD NOT BE PLACED** on or near the appliance.

 Children and adults should be **ALERTED** to the hazards of high surface temperature and should **STAY AWAY** to avoid burns or clothing ignition. Young children should be **CAREFULLY SUPERVISED** when they are in the same room as the appliance.


 These units **MUST** use one of the vent systems described in the Installing the Fireplace section of the *Installers Guide*. **NO OTHER** vent systems or components **MAY BE USED**.

 This gas fireplace and vent assembly **MUST** be vented directly to the outside and **MUST NEVER** be attached to a chimney serving a separate solid fuel burning appliance. Each gas appliance **MUST USE** a separate vent system. Common vent systems are **PROHIBITED**.


 **INSPECT** the external vent cap on a regular basis to make sure that no debris is interfering with the air flow.

 The glass door assembly **MUST** be in place and sealed, and the trim door assembly **MUST** be in place on the fireplace before the unit can be placed into safe operation.


 **DO NOT OPERATE** this appliance with the glass door removed, cracked, or broken. Replacement of the glass door should be performed by a licensed or qualified service person. **DO NOT** strike or slam the glass door.

 The glass door assembly **SHALL ONLY** be replaced as a complete unit, as supplied by the gas fireplace manufacturer. **NO SUBSTITUTE** material may be used.

 **DO NOT USE** abrasive cleaners on the glass door assembly. **DO NOT ATTEMPT** to clean the glass door when it is hot.

 Turn off the gas before servicing this appliance. It is recommended that a qualified service technician perform an appliance check-up at the beginning of each heating season.

 Any safety screen or guard removed for servicing must be replaced before operating this appliance.

 **DO NOT** place furniture or any other combustible household objects within 36 inches of the fireplace front.

## TABLE OF CONTENTS

Safety and Warning Information .....	2
◆ Service Parts Lists .....	4
<b>Section 1: Approvals and Codes</b> .....	<b>8</b>
Appliance Certification .....	8
Installation Codes .....	8
High Altitude Installations .....	8
<b>Section 2: Getting Started</b> .....	<b>9</b>
Introducing the Heat-N-Glo Gas Fireplaces .....	9
Pre-installation Preparation .....	9
<b>Section 3: Installing the Fireplace</b> .....	<b>11</b>
Constructing the Fireplace Chase .....	11
Step 1 Locating the Fireplace .....	11
Step 2 Framing the Fireplace .....	12
Step 3 Installing the Vent System .....	14
A. Vent System Approvals .....	14
B. Installing Vent Components .....	22
C. Vent Termination .....	25
Step 4 Positioning, Leveling, and Securing the Fireplace .....	27
Step 5 The Gas Control Systems .....	28
◆ Step 6 The Gas Supply Line .....	29
Step 7 Gas Pressure Requirements .....	29
◆ Step 8 Wiring the Fireplace .....	30
Step 9 Finishing .....	32
Step 10 Installing Trim, Logs, and Ember Material .....	33
Installing the Trim .....	33
Positioning the Logs .....	33
Shutter Settings .....	33
Placing the Ember Material .....	33
Glass Specifications .....	34
Step 11 Before Lighting the Fireplace .....	34
Step 12 Lighting the Fireplace .....	34
After the Installation .....	34
<b>Section 4: Maintaining and Servicing Your Fireplace</b> .....	<b>35</b>

◆ = Contains updated information.



# HEAT-N-GLO

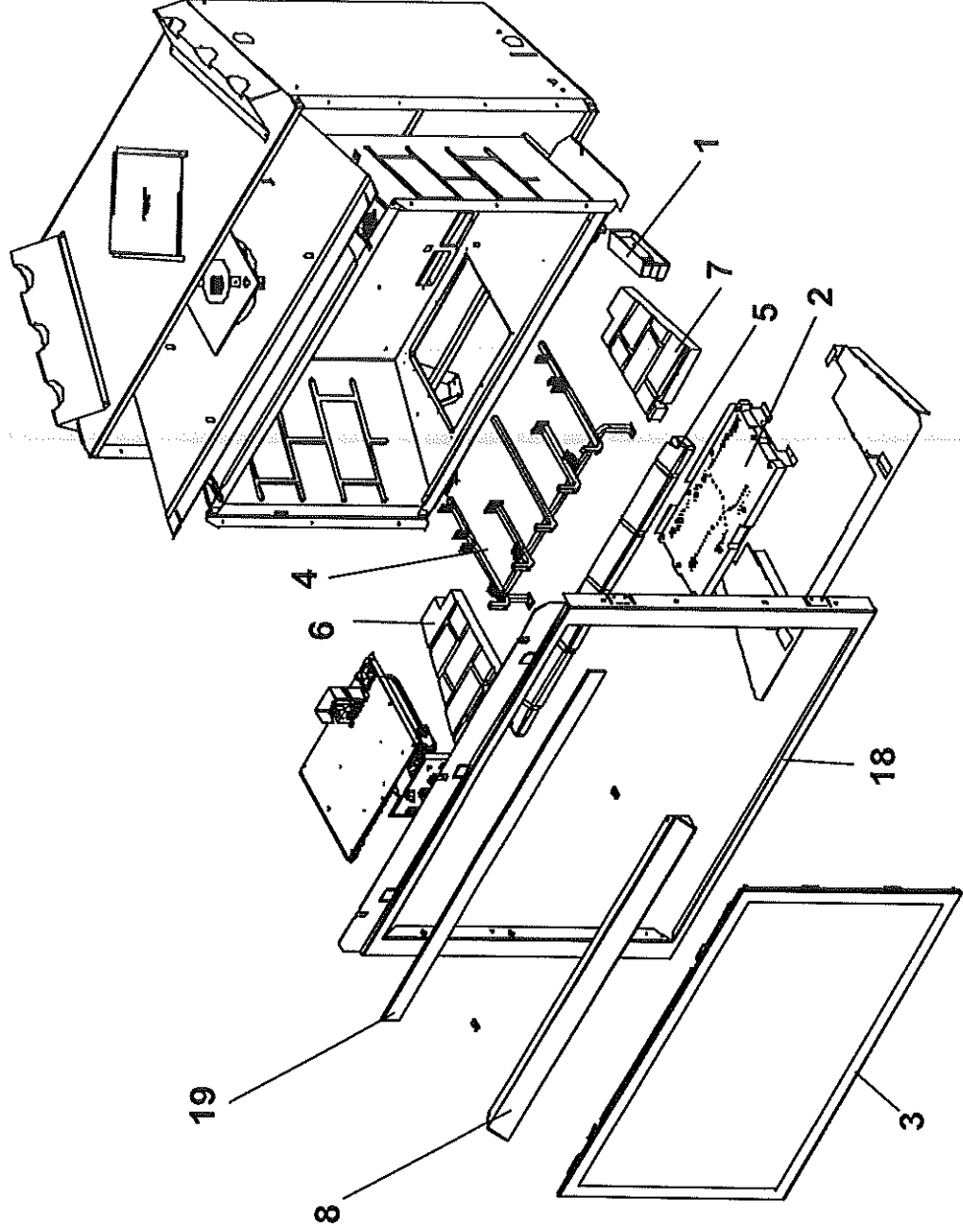
No one builds a better fire

## Service Parts

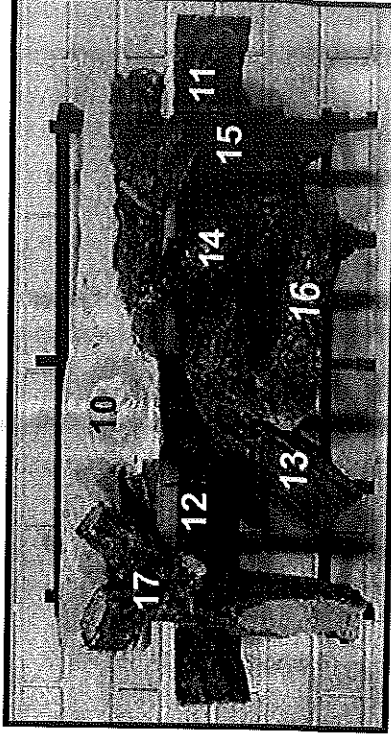
# 8000TRD, 8000TRD-IP1

(NG LP) Exploded Parts Diagram  
(GN, PL) Vue éclatée des pièces

8000TRD Beginning Manufacturing Date: 6-01  
8000TRD-IP1 Beginning Manufacturing Date: 8-01  
Ending Manufacturing Date:



9 Log Set Assembly



- \* Part number list on following page.
- \* La liste des numéros de pièce se trouve à la page suivante.

## Service Parts List / Liste des pièces de rechange

**8000TRD, 8000TRD-IPI**

**IMPORTANT: THIS IS DATED INFORMATION.** The most current information is located on your dealers VIP site. When ordering, supply serial and model numbers to ensure correct service parts. / **IMPORTANT :** L'information fournie dans cette brochure n'est valide que pendant une courte période. Les sites VIP des distributeurs disposent des renseignements les plus récents. Lors d'une commande, veuillez fournir les numéros de série et de modèles pour un remplacement adéquat des pièces.

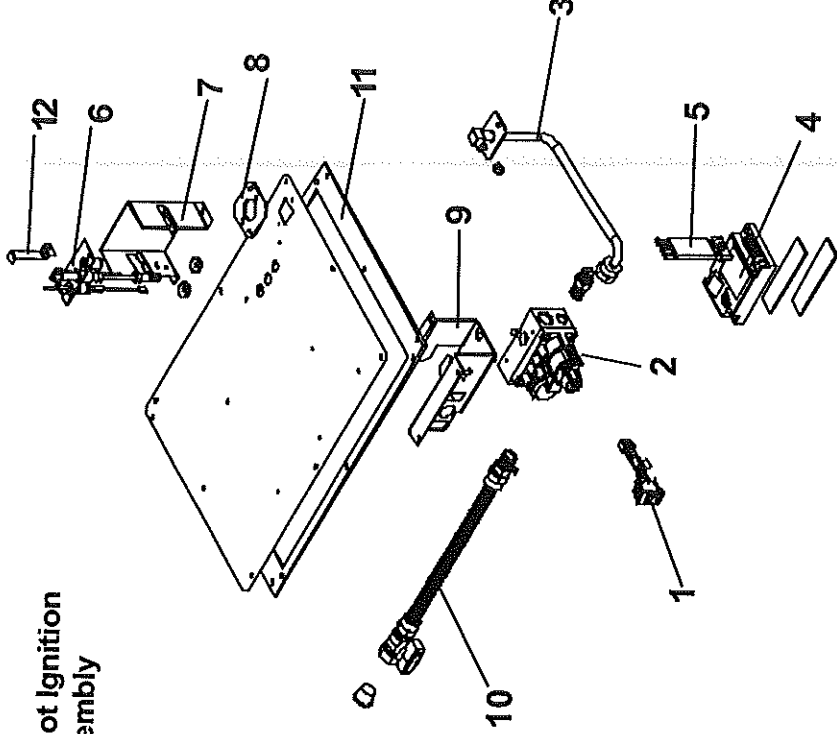
ITEM / PIÈCE	COMMON PARTS / PIÈCES COMMUNES	SERIAL # / N° DE SÉRIE	PART NUMBER / N° DE PIÈCE
	Burner Orifice NG (#31) / Orifice de brûleur GN (#31)		582-831
	Burner Orifice LP (1.8mm) / Orifice de brûleur PL (1.8mm)		582-818
2	Burner NG / Brûleur GN		380-378A-UM
2	Burner LP / Brûleur PL		2028-009
3	Glass Door Assembly / Porte en verre		GLA-8TRD
4	Log Grate / Grille de Bûche		582-360A
5	Refractory Base / Réfractaire Base		SRV582-370-UM
6	Refractory Left Base / Réfractaire		SRV582-376-UM
7	Refractory Right Base / Réfractaire		SRV582-377-UM
8	Hood / Hotte		SRV560-175
9	Log Set Assembly / Jeu de Bûches		LOGS-8TRC
10	Log 1 / Bûche 1		SRV582-701
11	Log 2 / Bûche 2		SRV582-703
12	Log 3 / Bûche 3		SRV582-702
13	Log 4 / Bûche 4		SRV582-704
14	Log 5 / Bûche 5		SRV402-701
15	Log 6 / Bûche 6		SRV582-706
16	Log 7 / Bûche 7		SRV582-707
17	Log 8 / Bûche 8		SRV582-705
18	Surround / Entourage		380-130
19	Insulation Board / Conseil d'Isolation		380-401
	Flue Restrictor / Restricteur de conduite de cheminée		385-128
<b>STANDING PILOT IGNITION* / D'ALLUMAGE PAR VEILLEUSE</b>			
1	Junction Box - Pilot / Boîtier de raccordement - de veilleuse	PRE 002324001 POST 002324001	100-250A 4021-013
	Pilot Orifice NG / Orifice de veilleuse GN		446-505
	Pilot Orifice PL / Orifice de veilleuse PL		446-517
	Thermocouple / Thermocouple		446-511
	Thermopile / Thermopile		060-512
	Conversion Kit NG / Module de conversion GN	Pre 2300 Post 2300	NGK-8TRD NGK-8TRD-A
	Conversion Kit LP / Module de conversion PL	Pre 1326 Post 1326	LPK-8TRD LPK-8TRD-A
<b>IPI IGNITION* / ALLUMAGE IPI</b>			
1	Junction Box / Boîtier de dérivation	PRE 002324001 POST 002324001	383-250A 4021-013
	Conversion Kit - IPI LP / Module de conversion - IPI PL		LPK-8TRD-IPI

\* Also see pages 6 and 7 for additional IPI and Standing Pilot Ignition service part numbers.

(NG, LP) Exploded Parts Diagram  
(GN, PL) Vue éclatée des pièces

Beginning Manufacturing Date: 8-01  
Ending Manufacturing Date:

### Intermittent Pilot Ignition Valve Assembly

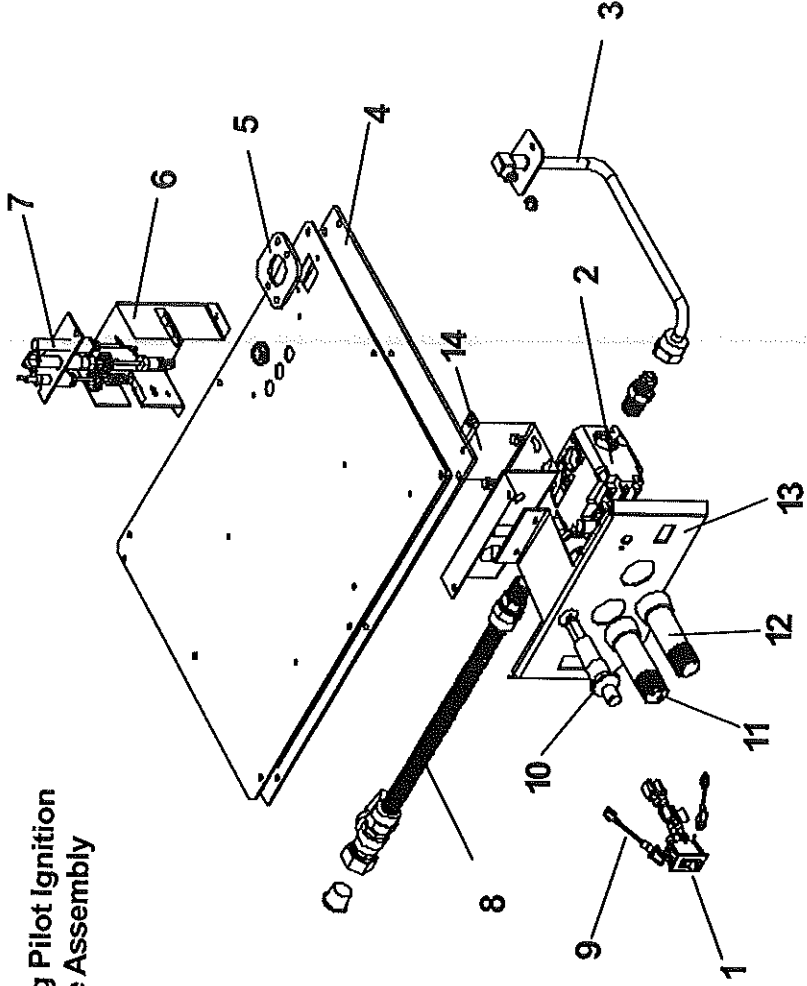


ITEM / PIÈCE	DESCRIPTION	SERIAL # / N° DE SERIE	PART NUMBER / N° DE PIÈCE
1	ON/OFF Rocker Switch / Interrupteur à bascule MARCHE/ARRÊT		060-521A
2	Valve NG / Valve GN		750-500
2	Valve LP / Valve PL		750-501
3	Flexible Gas Connector / Tuyau à gaz flexible	PRE 22099930 POST 22099930	477-301A 383-302A
4	Module / Module		593-592
5	Wire Assembly / Module de fil		593-590A
6	Pilot Assembly NG / Module de veilleuse GN	PRE 002324001 POST 002324001	385-510A 4021-025
6	Pilot Assembly LP / Module de veilleuse PL	PRE 002324001 POST 002324001	385-511A 4021-026
7	Pilot Bracket / Parenthèse Pilote		530-164
8	Gasket Orifice / Orifice de Joint		438-407
9	Valve Bracket / Parenthèse de Valve	PRE 002324001 POST 002324001	385-169 2025-101
10	Flex Ball Valve Assembly / Fléchrir l'Assemblée de Soupape de Baile		302-320A
11	Valve Plate Gasket / Joint de Plat de Valve		385-402
12	Ground Strap / Courroie de Raison(Terre)		2025-512
	Transformer / Transformateur		593-593A
	Battery Pack / Paquet de Batterie(Pile)		593-594A

(NG, LP) Exploded Parts Diagram  
(GN, PL) Vue éclatée des pièces

Beginning Manufacturing Date: 6-03  
Ending Manufacturing Date:

### Standing Pilot Ignition Valve Assembly



ITEM / PIÈCE	DESCRIPTION	SERIAL # / N° DE SÉRIE	PART NUMBER / N° DE PIÈCE
1	ON/OFF Rocker Switch / Interrupteur à bascule MARCHÉ/ARRÊT		060-521A
2	Valve NG / Valve GN		060-522
2	Valve LP / Valve PL		060-523
3	Flexible Gas Connector / Tuyau à gaz flexible	PRE 22099930 POST 22099930	477-301A 383-302A
4	Valve Plate Gasket / Joint de Plat de Valve		385-402
5	Burner Neck Gasket / Joint de Cou de Brûleur		438-407
6	Pilot Bracket / Parenthèse Pilote		530-164
7	Pilot Assembly NG / Module de veilleuse GN		485-510A
7	Pilot Assembly LP / Module de veilleuse PL		485-511A
8	Flex Ball Valve Assembly / Fléehir l'Assemblée de Soupape de Baile		302-320A
9	Wire Assembly / Module de fil		049-552A
10	Piezo Ignitor / Allumeur piézo		291-513
11	Pilot Control Knob / Piloter le Bouton de Contrôle		571-530
12	Flame Control Knob / Flamber le Bouton de Contrôle		571-531
13	Control Panel / Tableau de commande avant		385-154
14	Valve Bracket / Parenthèse de Valve		550-169

# 1

## Approvals and Codes

### Appliance Certification

The Heat-N-Glo fireplace models discussed in this *Installers Guide* have been tested to certification standards and listed by the applicable laboratories.

Certification
<b>MODEL:</b> 8000TRD
<b>LABORATORY:</b> Underwriters Laboratories
<b>TYPE:</b> Direct Vent Gas Fireplace
<b>STANDARD:</b> ANSI Z21.50b-2000•CSA2.22b-2000•UL307B

### Installation Codes

The fireplace installation must conform to local codes. Before installing the fireplace, consult the local building code agency to ensure that you are in compliance with all applicable codes, including permits and inspections.

In the absence of local codes, the fireplace installation must conform to the National Fuel Gas Code ANSI Z223.1 (in the United States) or the CAN/CGA-B149 Installation Codes (in Canada). The appliance must be electrically grounded in accordance with local codes or, in the absence of local codes with the National Electric Code ANSI/NFPA No. 70 (in the United States), or to the CSA C22.1 Canadian Electric Code (in Canada).

These models may be installed in a bedroom or bed-sitting room in the U.S.A. and Canada.

### High Altitude Installations

U.L. Listed gas appliances are tested and approved without requiring changes for elevations from 0 to 2,000 feet in the U. S. A. and in Canada.

When installing this appliance at an elevation above 2,000 feet, it may be necessary to decrease the input rating by changing the existing burner orifice to a smaller size. Input rate should be reduced by 4% for each 1000 feet above a 2000 foot elevation in the U.S.A. or 10% for elevations between 2000 and 4500 feet in Canada. If the heating value of the gas has been reduced, these rules do not apply. To identify the proper orifice size, check with the local gas utility.

If installing this appliance at an elevation above 4,500 feet (in Canada), check with local authorities.



Heat-N-Glo Quality  
Systems registered  
by SGS ICS

# 2

## Getting Started

### Introducing the Heat-N-Glo Gas Fireplaces

Heat-N-Glo direct vent gas fireplaces are designed to operate with all combustion air siphoned from outside of the building and all exhaust gases expelled to the outside.

The information contained in this *Installers Guide*, unless noted otherwise, applies to all models and gas control systems. Gas fireplace diagrams, including the dimensions, are shown in this section.

### Pre-install Preparation

This gas fireplace and its components are tested and safe when installed in accordance with this *Installers Guide*. Report to your dealer any parts damaged in shipment, particularly the condition of the glass. **Do not install any unit with damaged, incomplete, or substitute parts.**

The vent system components are shipped in separate packages. The gas logs may be packaged separately and must be field installed.

**Read all of the instructions before starting the installation. Follow these instructions carefully during the installation to ensure maximum safety and benefit. Failure to follow these instructions will void the owner's warranty and may present a fire hazard.**

The Heat-N-Glo Warranty will be voided by, and Heat-N-Glo disclaims any responsibility for, the following actions:

- Installation of any damaged fireplace or vent system component.
- Modification of the fireplace or direct vent system.
- Installation other than as instructed by Heat-N-Glo.
- Improper positioning of the gas logs or the glass door.
- Installation and/or use of any component part not manufactured and approved by Heat-N-Glo, not withstanding any independent testing laboratory or other party approval of such component part or accessory.

**ANY SUCH ACTION MAY POSSIBLY CAUSE A FIRE HAZARD.**

When planning a fireplace installation, it's necessary to determine:

- Where the unit is to be installed.
  - The vent system configuration to be used.
  - Gas supply piping.
  - Electrical wiring.
  - Framing and finishing details.
  - Whether optional accessories—devices such as a fan, wall switch, or remote control—are desired.
- If the fireplace is to be installed on carpeting or tile, or on any combustible material other than wood flooring, the fireplace should be installed on a metal or wood panel that extends the full width and depth of the fireplace.

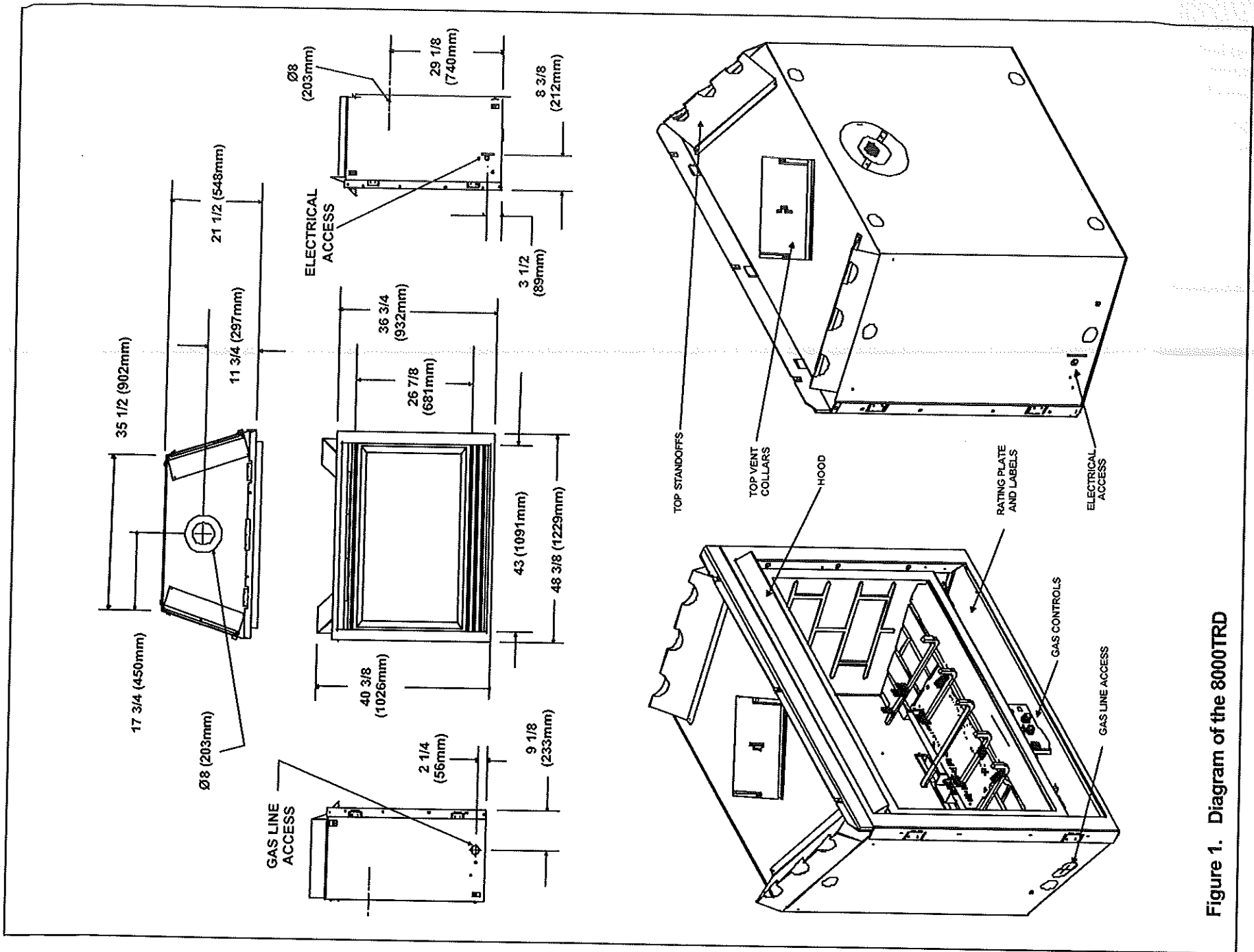


Figure 1. Diagram of the 8000TRD

# 3 Installing the Fireplace

## Constructing the Fireplace Chase

A chase is a vertical box-like structure built to enclose the gas fireplace and/or its vent system. Vertical vents that run on the outside of a building may be, but are not required to be, installed inside a chase.

**CAUTION: TREATMENT OF FIRESTOP SPACERS AND CONSTRUCTION OF THE CHASE MAY VARY WITH THE TYPE OF BUILDING. THESE INSTRUCTIONS ARE NOT SUBSTITUTES FOR THE REQUIREMENTS OF LOCAL BUILDING CODES. THEREFORE, YOUR LOCAL BUILDING CODES MUST BE CHECKED TO DETERMINE THE REQUIREMENTS FOR THESE STEPS.**

Factory-built fireplace chases should be constructed in the manner of all outside walls of the home to prevent cold air drafting problems. The chase should not break the outside building envelope in any manner.

This means that the walls, ceiling, base plate and cantilever floor of the chase should be insulated. Vapor and air infiltration barriers should be installed in the chase as per regional codes for the rest of the home. Additionally, Heat-N-Glo recommends that the inside surfaces be sheetrocked and taped for maximum air tightness.

To further prevent drafts, the firestops should be caulked to seal gaps. Gas line holes and other openings should be caulked or stuffed with insulation. If the unit is being installed on a cement slab, we recommend that a layer of plywood be placed underneath to prevent conducting cold up into the room.

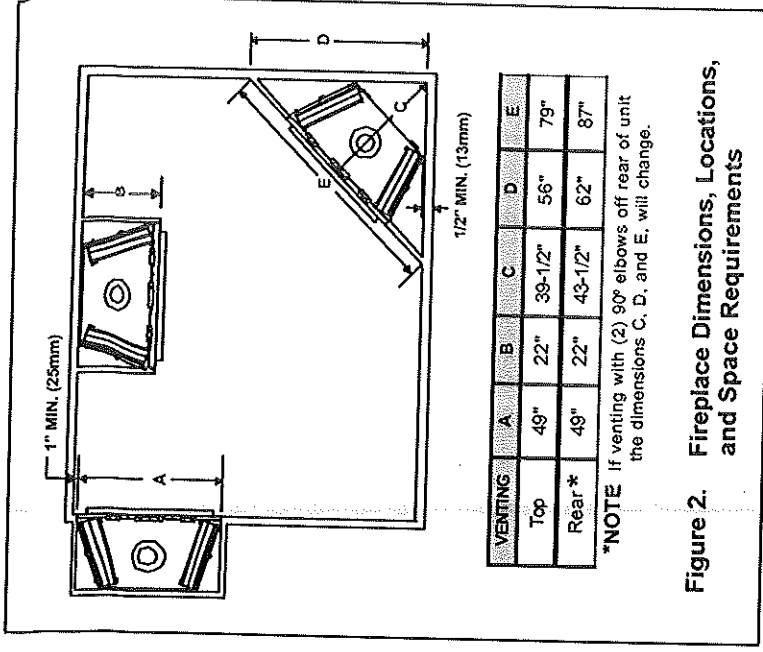
**THE CHASE SHOULD BE CONSTRUCTED SO THAT ALL CLEARANCES TO THE FIREPLACE ARE MAINTAINED AS SPECIFIED WITHIN THIS INSTALLERS GUIDE.**

### Step 1. Locating the Fireplace

The following diagram shows space and clearance requirements for locating a fireplace within a room.

#### Clearance Requirements

The top, back, and sides of the fireplace are defined by stand-offs. The minimum clearance to a perpendicular wall extending past the face of the fireplace is one inch (25 mm). The back of the fireplace may be recessed 21 1/2 inches (546 mm) into combustible construction.



**Figure 2. Fireplace Dimensions, Locations, and Space Requirements**

#### Minimum Clearances from the Fireplace to Combustible Materials

	Inches	mm
Glass Front	36	914
Floor	0	0
Rear	1/2	13
Sides	1/2	13
Top	3 1/2	89
Ceiling**	31	787

\* See Figure 3.

\*\* The clearance to the ceiling is measured from the top of the unit, excluding the standoffs (see Figure 38).

The distance from the unit to combustible construction is to be measured from the unit outer wrap surface to the combustible construction, NOT from the screw heads that secure the unit together.

#### Minimum Clearances from the Vent Pipe to Combustible Materials

	Inches	mm
Vertical Sections	1	25
<i>Horizontal Sections</i>		
Top	3	75
Bottom	1	25
Sides	1	25
<i>At Wall Firestops</i>		
Top	3	75
Bottom	1	25
Sides	1	25

For minimum clearances, see the direct vent termination clearance diagrams on pages 26 and 27 in this manual.

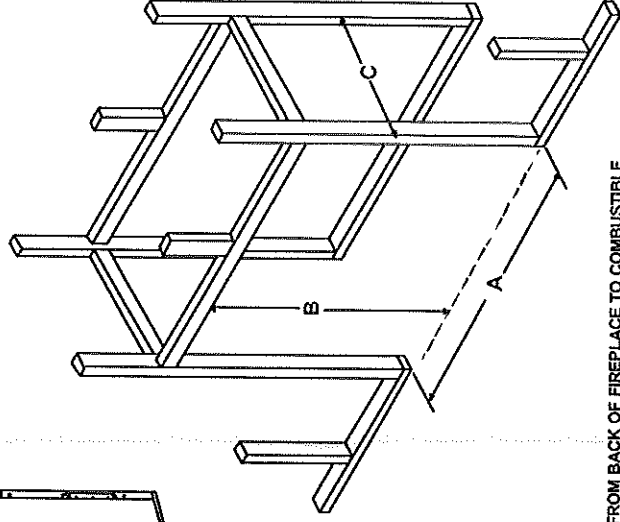
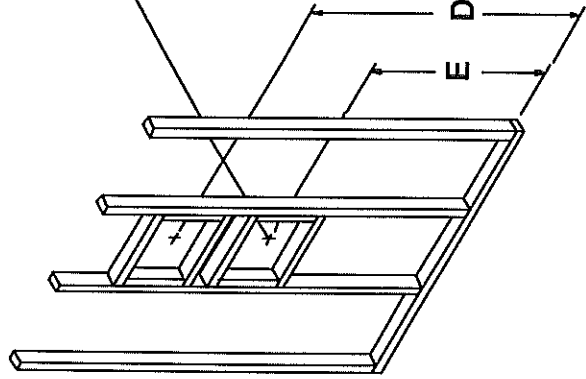


## Step 2. Framing the Fireplace

Fireplace framing can be built before or after the fireplace is set in place. Framing should be positioned to accommodate wall coverings and fireplace facing material. The diagram below shows framing reference dimensions.

**CAUTION: MEASURE FIREPLACE DIMENSIONS AND VERIFY FRAMING METHODS AND WALL COVERING DETAILS BEFORE FRAMING.**

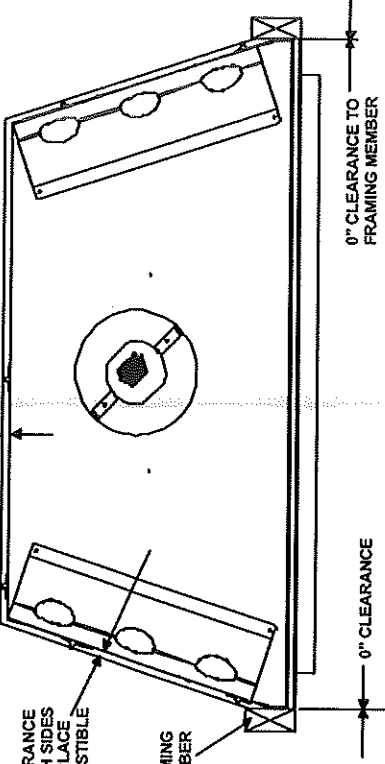
Shows center of 10" x 12" vent framing holes for top and rear venting. The center of the hole is one (1) inch (25.4mm) above the center of the horizontal vent pipe.



1/2" CLEARANCE FROM BACK OF FIREPLACE TO COMBUSTIBLE

1/2" CLEARANCE FROM BOTH SIDES OF FIREPLACE TO COMBUSTIBLE

FRAMING MEMBER



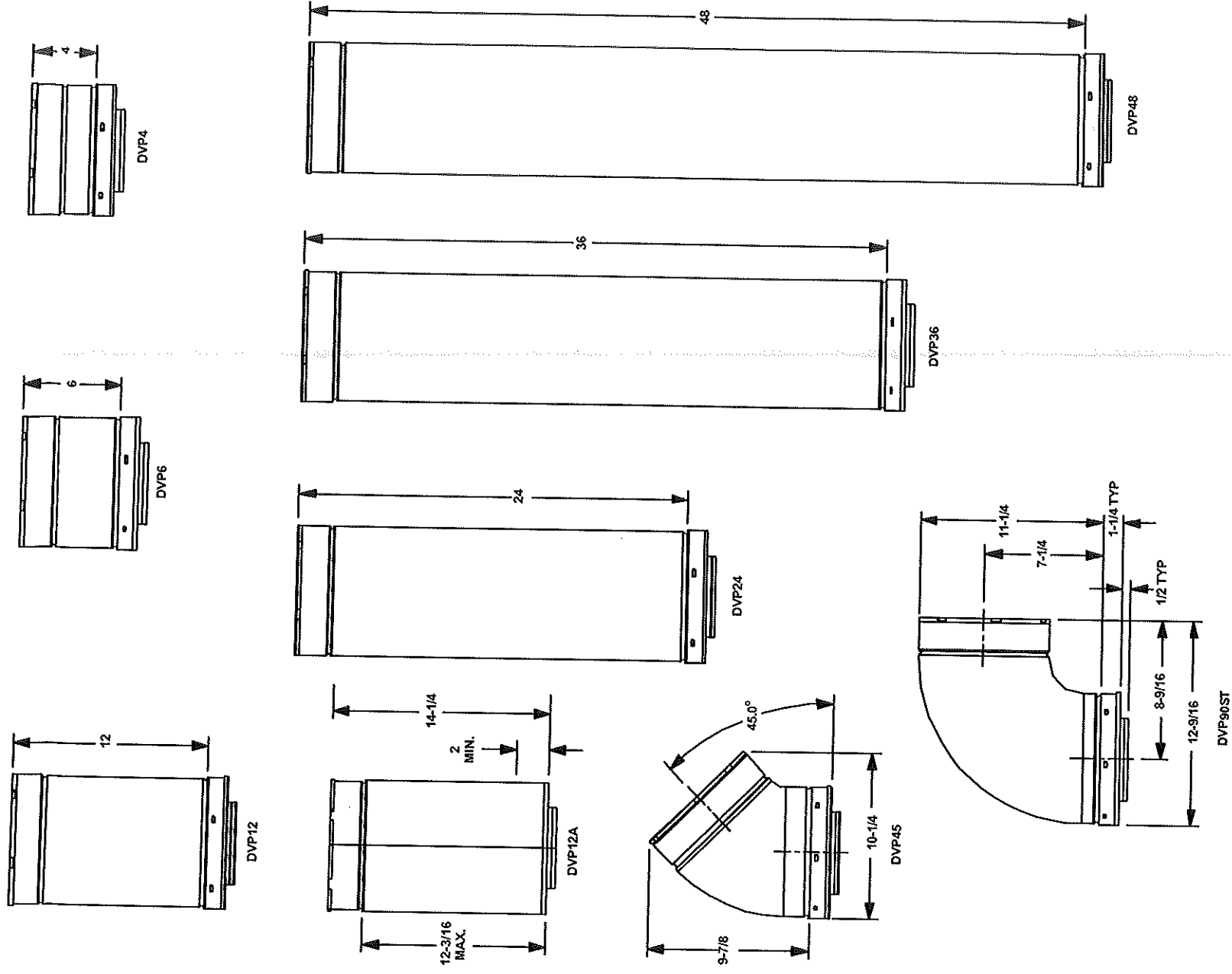
- A ..... 49"
- B ..... 40 1/2"
- C ..... 22"
- D ..... 44 1/8"
- E ..... 30 1/8"

Framing should be constructed of 2 X 4 lumber or heavier.

0" CLEARANCE TO FRAMING MEMBER

0" CLEARANCE

Figure 3. Framing Dimensions



NOTE: PIPES OVERLAP 1-1/4 INCHES AT EACH JOINT.  
 Figure 4. DVP-Series Direct Vent Component Specifications (5-inch inner pipe / 8-inch outer pipe)

### Step 3. Installing the Vent System

#### A. Vent System Approvals

These models are approved to use DVP-series direct vent pipe components and terminations (see Figures 4 and 5). Approved vent system components are labeled for identification. This pipe is tested and listed as an approved component of the fireplace. The pipe is tested to be run inside an enclosed wall. There is no requirement for inspection openings at each joint within the wall. There is no required pitch for horizontal vent runs. **NO OTHER VENTING SYSTEMS OR COMPONENTS MAY BE USED.**

Detailed installation instructions are included with each vent termination kit and should be used in conjunction with this *Installers Guide*.

The flame and ember appearance may vary based on the type of fuel burned and the venting configuration used.

#### Identifying Vent Components

The vent systems installed on this gas fireplace may include one, two, or three 90° elbow assemblies. The relationships of vertical rise to horizontal run in vent configurations using 90° elbows **MUST BE** strictly adhered to. The rise to run relationships are shown in the venting drawings and tables. Refer to the diagrams on the next several pages.

**NOTE: Two 45° elbows may be used in place of one 90° elbow. Rise to run ratios in the vent system must be followed if 45° elbows are used.**

This model has vent starting collars on both the top and the back of the unit. Depending upon the installation, decide which **ONE** set of starting collars will be used to attach the vent system. The starting collar sealing cap must remain on the starting collar **NOT** used.

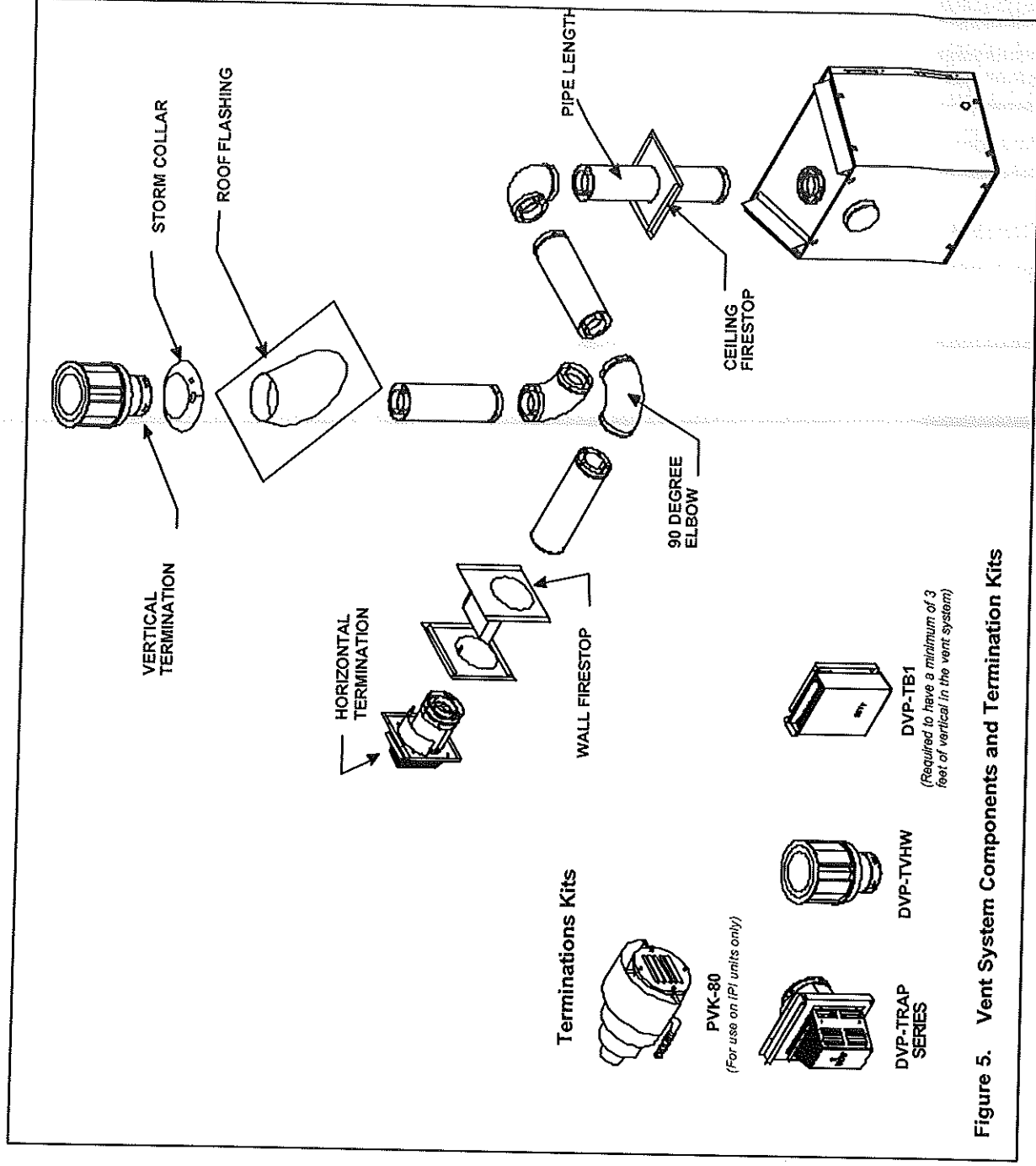
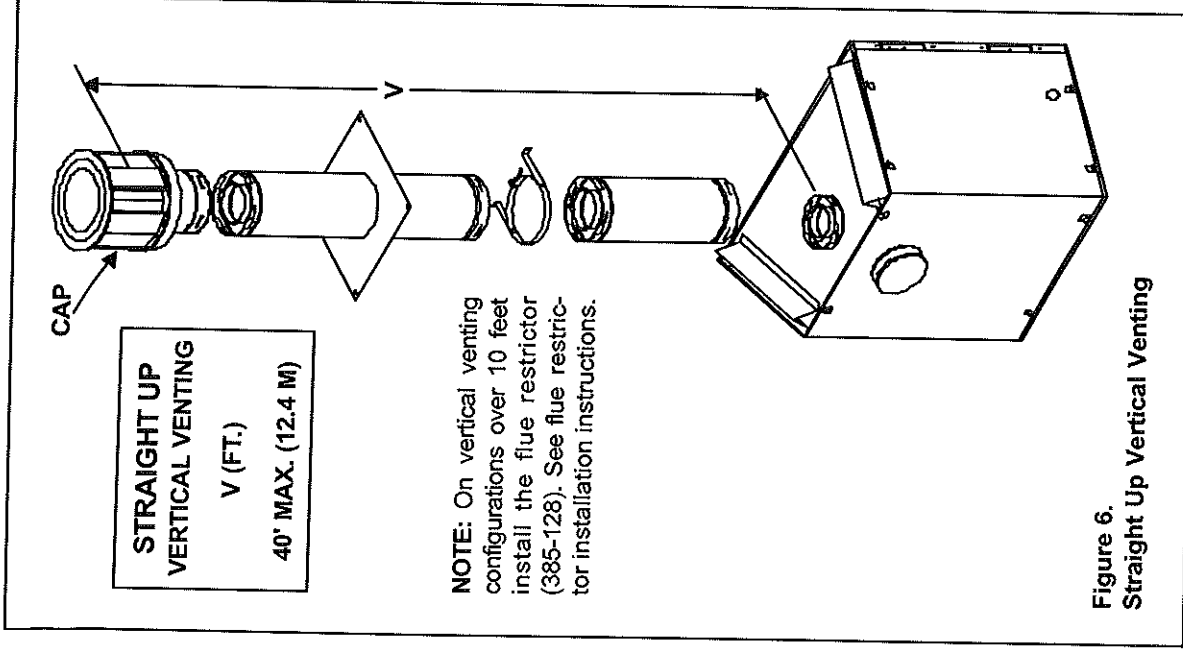
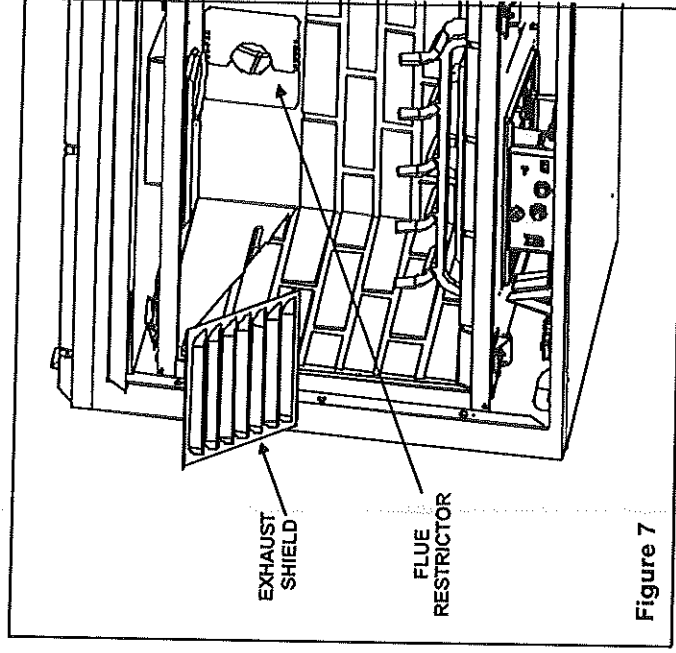


Figure 5. Vent System Components and Termination Kits

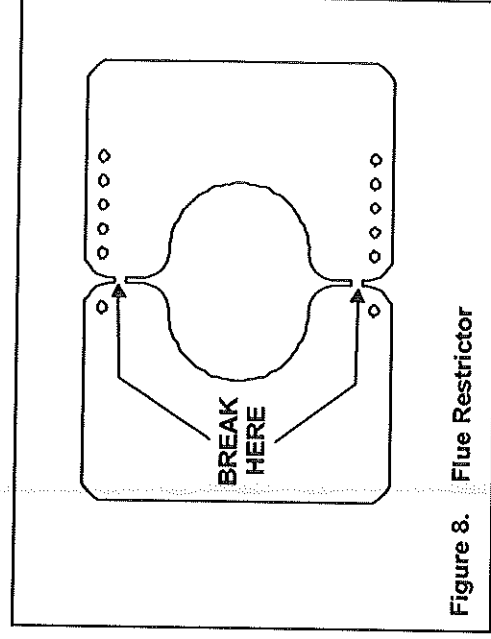


## Flue Restrictor Instructions

1. Remove Exhaust Shield using a 1/4" nut driver by removing the four screws securing it in place (see Figure 7).



2. Break the Flue Restrictor into two pieces. Do this by bending the part back and forth until it breaks (see Figure 8).



3. Match the amount of vertical you have in the system with the chart to find the appropriate position to set the Flue Restrictor (see Figure 9).

- CHART -				
Vertical	Top Vent NG	Top Vent LP	Rear Vent NG	Rear Vent LP
4'	1-1	No Restrictor	No Restrictor	No Restrictor
8'	2-2	1-2	1-1	No Restrictor
15'	3-3	3-2	2-2	Restrictor
20'	3-4	3-3	3-3	1-2
25'	3-4	3-3	3-3	2-3
30'	4-4	3-4	3-4	2-3
35'	4-4	3-4	3-4	3-3
40'	5-4	4-4	4-4	3-4

Figure 9.

4. Center the Flue Restrictor on vent and secure in place by using two self-tapping screws (see Figure 10).
5. Reinstall the Exhaust Shield.

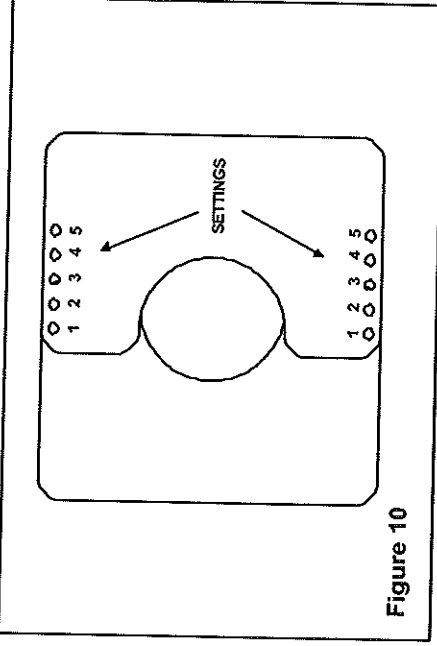
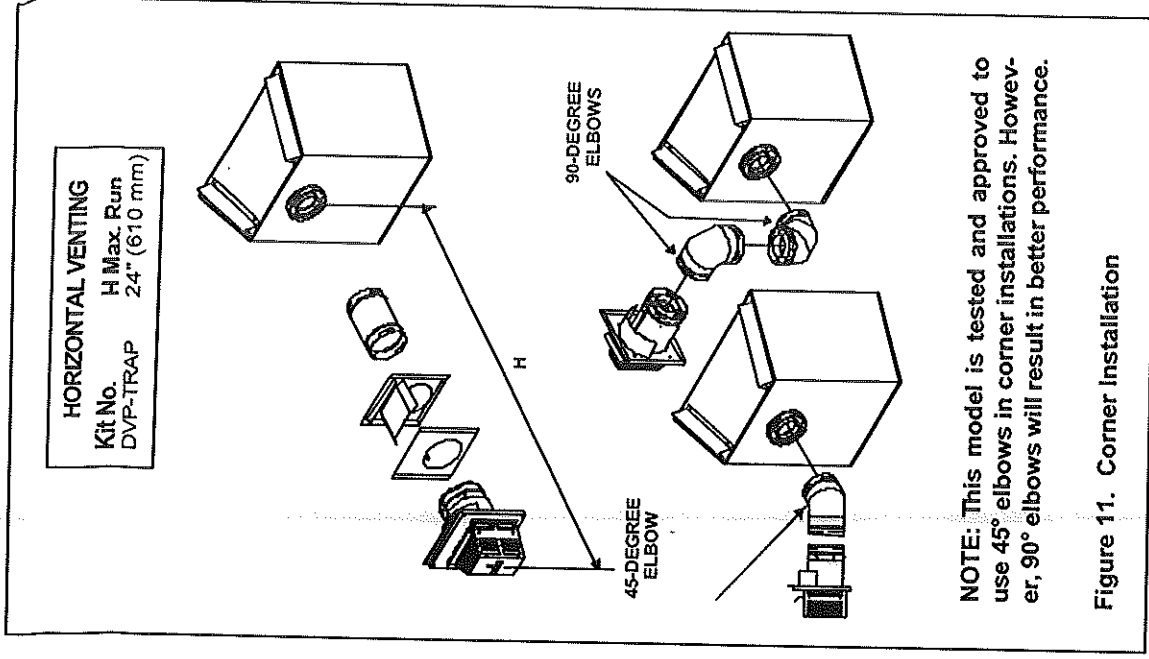


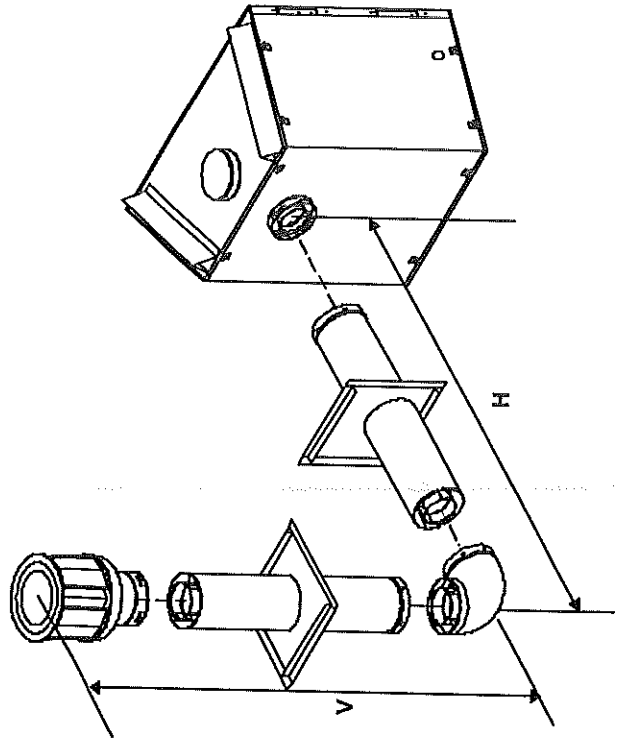
Figure 10



**VENTING WITH ONE (1) 90° ELBOW**

V	H
1' MIN. (305mm)	2' MAX. (610mm)
2' MIN. (610mm)	4' MAX. (1.22m)
3' MIN. (914mm)	6' MAX. (1.86m)
4' MIN. (1.22m)	8' MAX. (2.4m)
V+H=40' MAX. (12.4m) H = 8' MAX. (2.4m)	

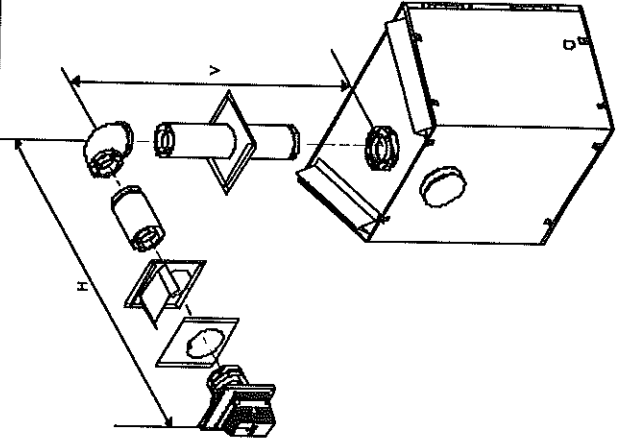
**NOTE:** On vertical venting configurations, where the vertical component is over 10 feet, install the flue restrictor included in the manual bag assembly to improve flame appearance.



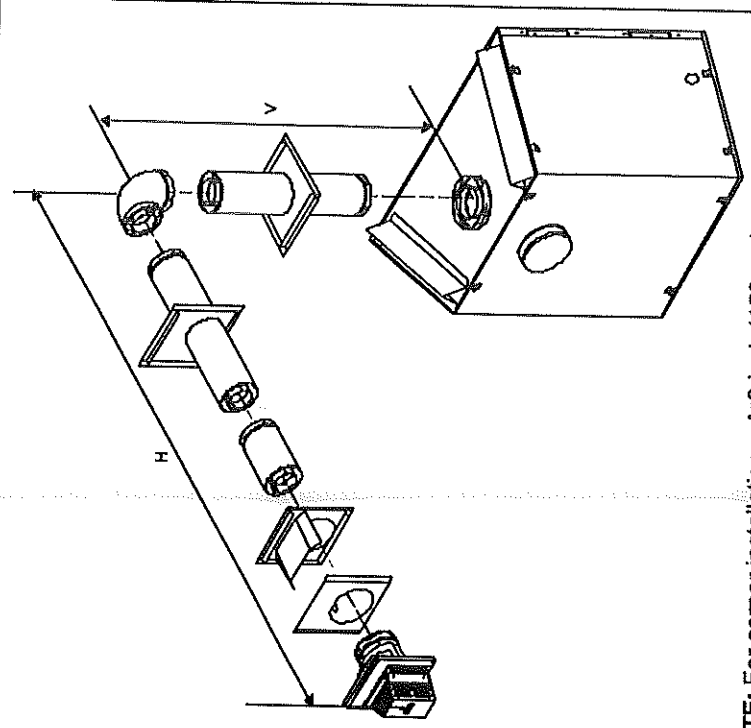
**Figure 12. Venting with One 90° Elbow**

**VENTING WITH ONE (1) 90° ELBOW**

V (FT.)	H (FT.)
1' MIN. (305mm)	5' MAX. (1.52m)
2' MIN. (610mm)	10' MAX. (3.1m)
3' MIN. (914mm)	15' MAX. (4.65m)
4' MIN. (1.22m)	20' MAX. (6.2m)
V+H= 40' MAX. (12.4MM) H = 20' MAX. (6.2m)	



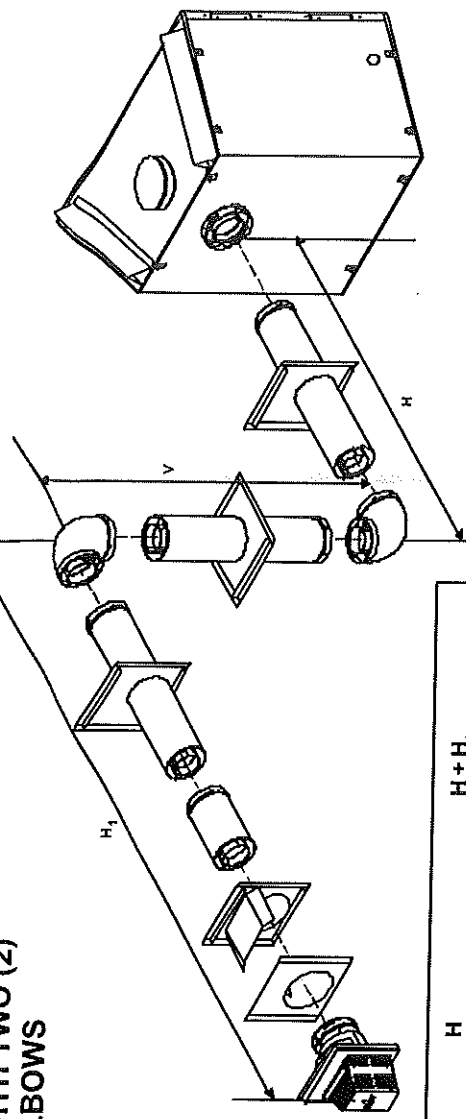
**Figure 13. Venting with One 90° Elbow**



**NOTE:** For corner installations: A 6-inch (152mm) section of straight pipe may need to be attached to the fireplace before a 90° elbow, to allow the vent pipe to clear the top standoffs.

**NOTE:** If a 90° elbow is first attached to the unit, the maximum horizontal run is 3-feet (914mm). (In an LP unit the maximum horizontal run in this situation is 30 inches (762mm).)

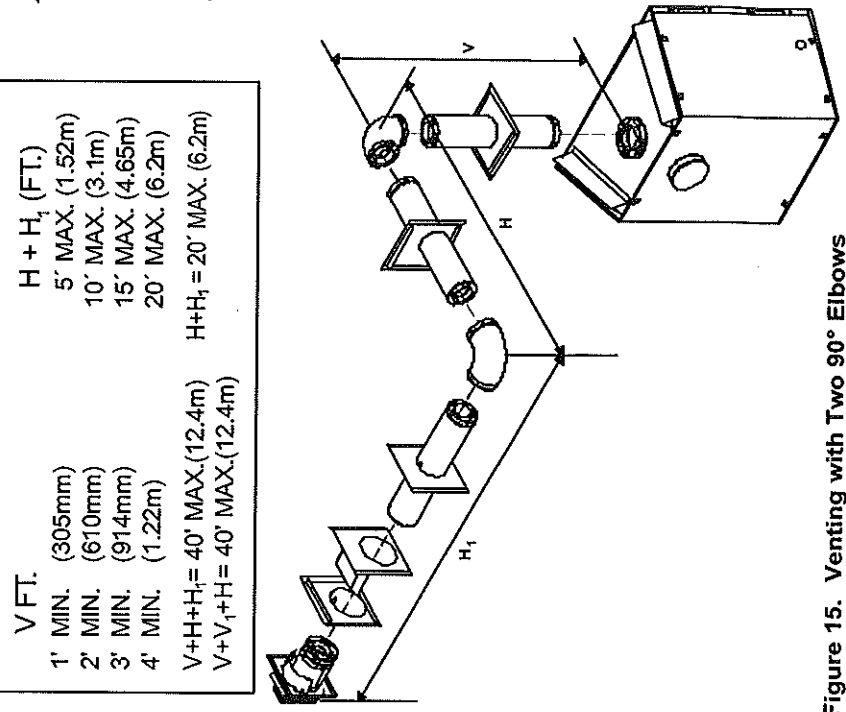
### VENTING WITH TWO (2) 90° ELBOWS



V	H	H + H <sub>1</sub>
1' MIN. (305 mm)	2' MAX. (610 mm)	5' MAX. (1.52m)
2' MIN. (610 mm)	4' MAX. (1.22 m)	10' MAX. (3.1m)
3' MIN. (914 mm)	6' MAX. (1.86 m)	15' MAX. (4.65m)
4' MIN. (1.22 m)	8' MAX. (2.48 m)	20' MAX. (6.2m)
V+H+H <sub>1</sub> = 40' MAX. (12.4 m)		H+H <sub>1</sub> = 20' MAX. (6.2m)

Figure 14. Venting with Two 90° Elbows

### VENTING WITH TWO (2) 90° ELBOWS



V FT.	H + H <sub>1</sub> (FT.)
1' MIN. (305mm)	5' MAX. (1.52m)
2' MIN. (610mm)	10' MAX. (3.1m)
3' MIN. (914mm)	15' MAX. (4.65m)
4' MIN. (1.22m)	20' MAX. (6.2m)
V+H+H <sub>1</sub> = 40' MAX.(12.4m)	
V+V <sub>1</sub> +H= 40' MAX.(12.4m)	

Figure 15. Venting with Two 90° Elbows

Venting with Two 90° Elbows	
V (FT)	H + H <sub>1</sub> (FT)
1' MIN. (305 mm)	2' MAX. (610 mm)
2' MIN. (610 mm)	4' MAX. (1.22 m)
3' MIN. (914 mm)	6' MAX. (1.86 m)
4' MIN. (1.22 m)	8' MAX. (2.48 m)
H + H <sub>1</sub> = 40' (12.2m) MAX.	

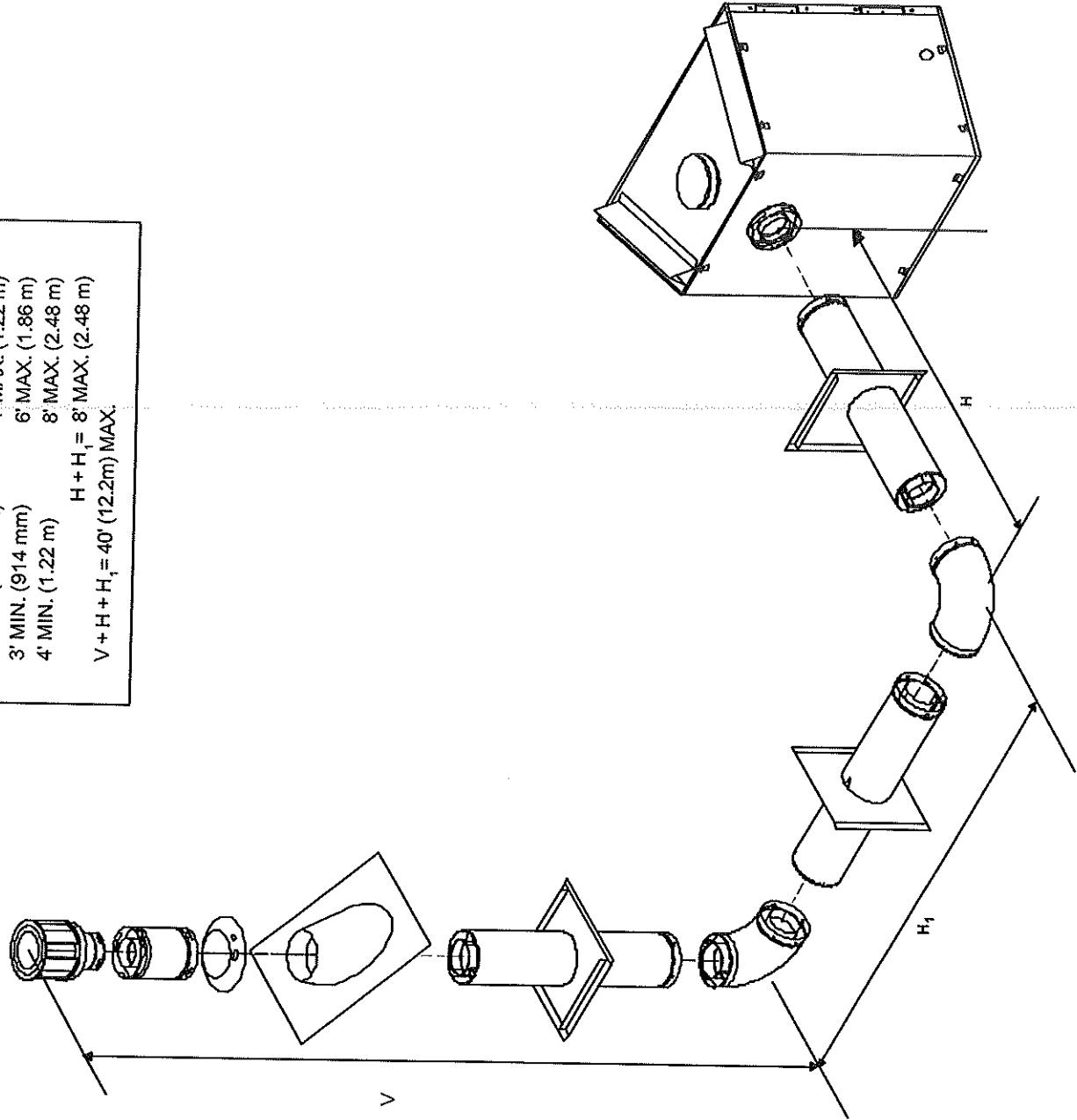
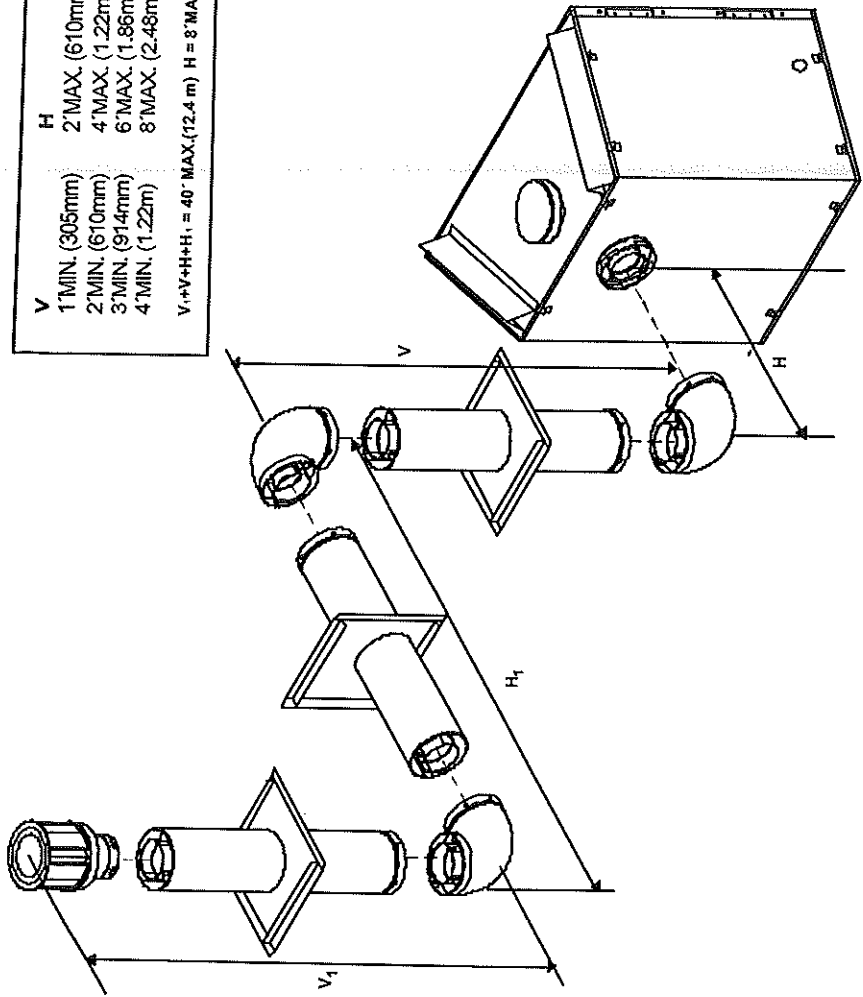


Figure 16. Venting with Two 90° Elbows



### VENTING WITH THREE (3) 90° ELBOWS

<b>V</b>	1'MIN. (305mm)	<b>H</b>	2'MAX. (610mm)	<b>H + H<sub>1</sub></b>	5'MAX. (1.52m)
	2'MIN. (610mm)		4'MAX. (1.22m)		10'MAX. (3.1m)
	3'MIN. (914mm)		6'MAX. (1.86m)		15'MAX. (4.65m)
	4'MIN. (1.22m)		8'MAX. (2.48m)		20'MAX. (6.2m)
V <sub>1</sub> +V+H+H <sub>1</sub> = 40' MAX. (12.4 m) H = 8' MAX. (2.48 m) H+H <sub>1</sub> = 20' MAX. (6.2 m)					



<b>V</b>	1'MIN. (305mm)	<b>H</b>	2'MAX. (610mm)	<b>H + H<sub>1</sub> + H<sub>2</sub></b>	5'MAX. (1.52m)
	2'MIN. (610mm)		4'MAX. (1.22m)		10'MAX. (3.1m)
	3'MIN. (914mm)		6'MAX. (1.86m)		15'MAX. (4.65m)
	4'MIN. (1.22m)		8'MAX. (2.48m)		20'MAX. (6.2m)
V+H+H <sub>1</sub> +H <sub>2</sub> = 40' MAX. (12.4 m) H = 8' MAX. (2.48 m) H+H <sub>1</sub> +H <sub>2</sub> = 20' MAX. (6.2 m)					

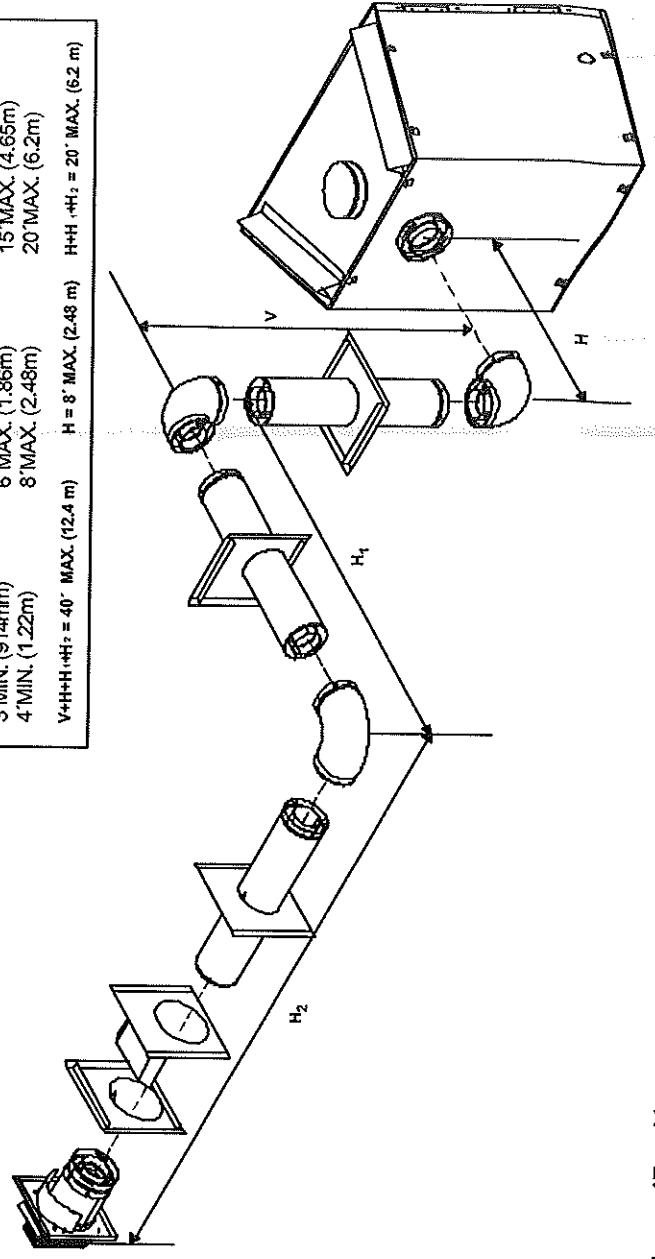
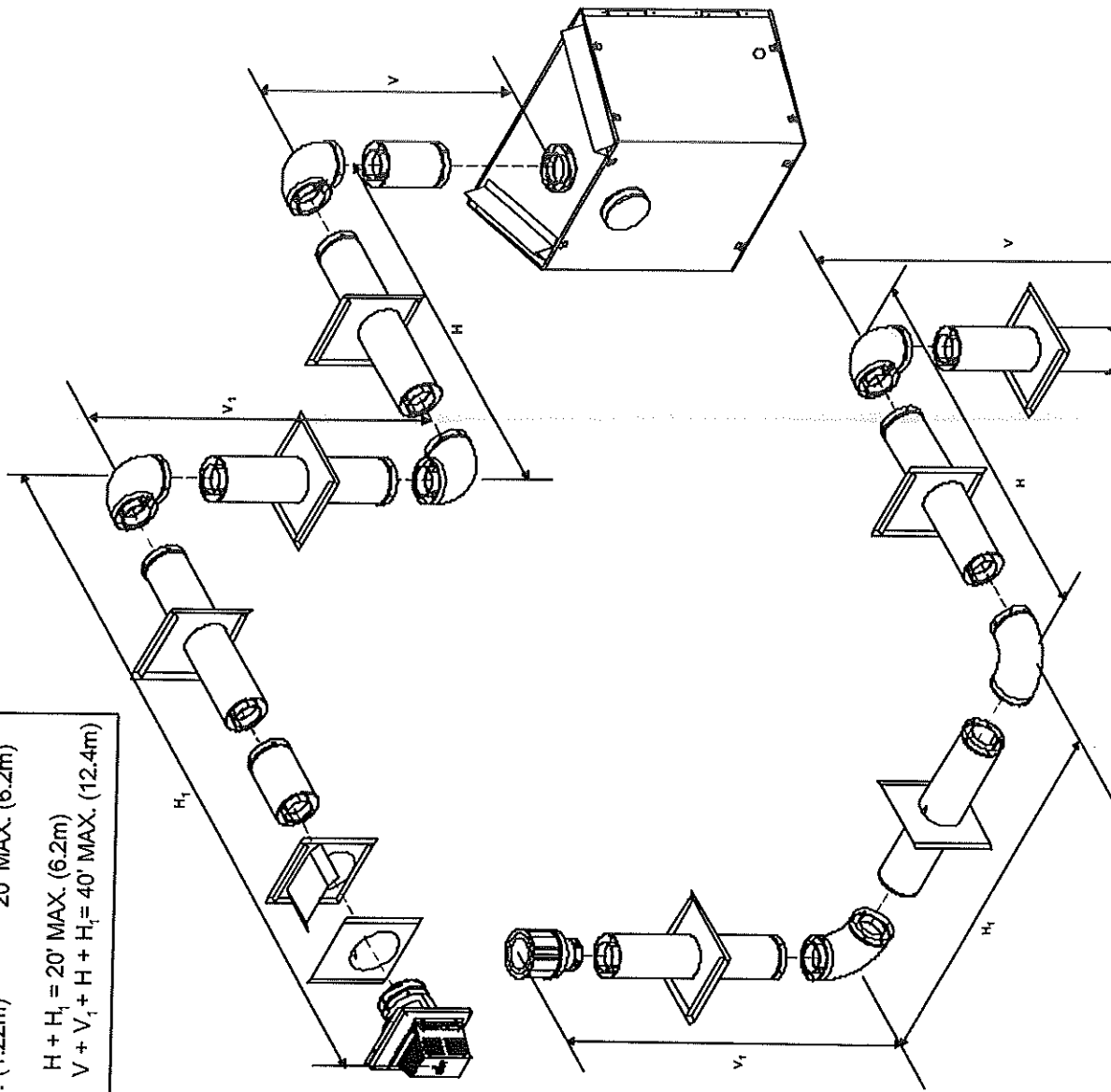


Figure 17. Venting with three 90° elbows

**VENTING WITH THREE (3) 90° ELBOWS**

<b>V (FT.)</b>	<b>H (FT.)</b>
1' MIN. (305mm)	5' MAX. (1.52m)
2' MIN. (610mm)	10' MAX. (3.1m)
3' MIN. (914mm)	15' MAX. (4.65m)
4' MIN. (1.22m)	20' MAX. (6.2m)

**NOTE:**  $H + H_1 = 20'$  MAX. (6.2m)  
 $V + V_1 + H + H_1 = 40'$  MAX. (12.4m)



<b>V + V<sub>1</sub> (FT.)</b>	<b>H + H<sub>1</sub> (FT.)</b>
1' MIN. (305mm)	5' MAX. (1.52m)
2' MIN. (610mm)	10' MAX. (3.1m)
3' MIN. (914mm)	15' MAX. (4.65m)
4' MIN. (1.22m)	20' MAX. (6.2m)

$H + H_1 = 20'$  MAX. (6.2m)  
 $V + V_1 + H + H_1 = 40'$  MAX. (12.4m)

**Figure 18. Venting with three 90° elbows**

## B. Installing Vent Components

After determining which set of starting collars will be used (top or rear), follow venting instructions accordingly.

### Venting Out the Rear Vent

Remove the installed rear seal cap from the rear starting collars by cutting the strap at each end. (see Figure 19). Follow the vent configuration tables accordingly.

Remove the insulation from the **REAR** five inch flue, pull the heat shield out from outside of the firebox.

**! WARNING: THE TOP HEAT SHIELD (INSIDE THE FIREBOX) MUST REMAIN ATTACHED IF THE VENT SYSTEM IS ATTACHED TO THE REAR STARTING COLLARS. SEE FIGURE 19.**

### Venting Out the Top Vent

Remove the two screws in the top vent collar seal cap and remove the top vent collar seal cap and two pieces of insulation inside the top two starting collars (See Figure 19).

Remove the heat shield from inside the **TOP** five inch flue from outside of the firebox.

**! WARNING: THE REAR VENT COLLAR SEAL CAP MUST REMAIN ATTACHED TO THE REAR VENT COLLARS IF THE VENT SYSTEM IS ATTACHED TO THE TOP STARTING COLLARS.**

**! WARNING: FAILURE TO REMOVE INSULATION IN THE SET OF COLLARS YOU ARE USING COULD NEGATIVELY AFFECT FIREPLACE PERFORMANCE.**

**! WARNING: YOU MUST LEAVE THE INSULATION IN PLACE IN THE SET OF COLLARS YOU ARE NOT USING. FAILURE TO DO THIS COULD CAUSE A FIRE.**

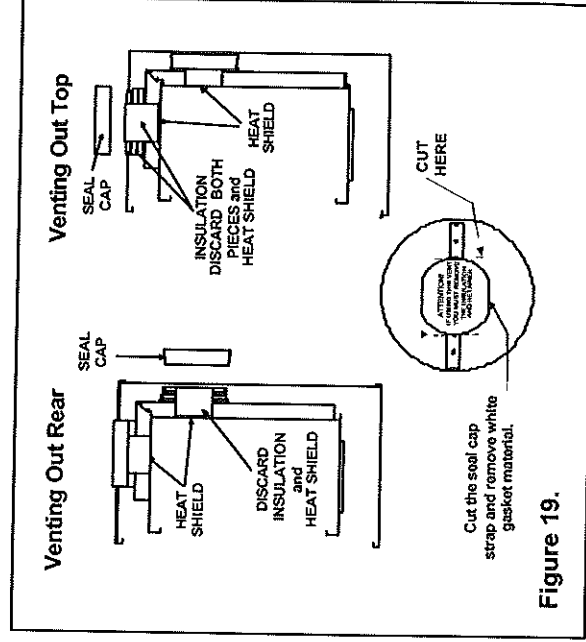


Figure 19.

## 1. Attach the First Vent Component to the Starting Collars

To attach the first vent component to the starting collars of the fireplace:

- Make sure that the fiberglass gasket supplied in the manual bag seals between the first 8 inch (203mm) vent component and the outer fireplace wrap. Using 2 self-tapping screws from the manual bag secure that gasket to the outer wrap (see Figure 20).

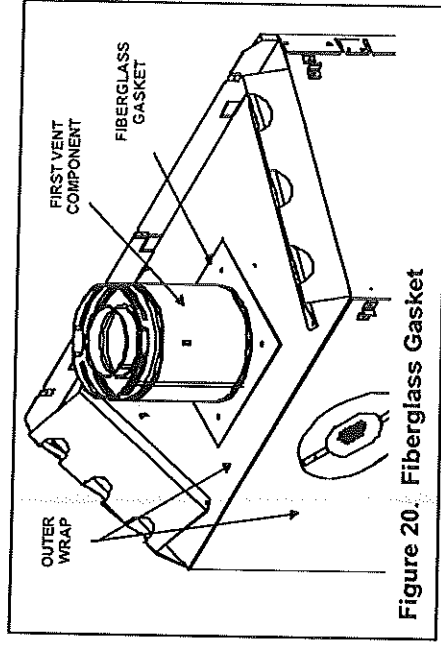


Figure 20. Fiberglass Gasket

## DVP PIPE:

### 1. Attaching the Venting to the Fireplace

Refer to Cinch Pipe and Termination Cap installation instructions.

### 2. Assembling Vent Sections

Refer to Cinch Pipe and Termination Cap installation instructions.

**! WARNING: ENSURE THAT THE FIBERGLASS GASKET SUPPLIED WITH THE FIREPLACE SEALS BETWEEN THE FIRST VENT COMPONENT AND THE OUTER FIREPLACE WRAP.**

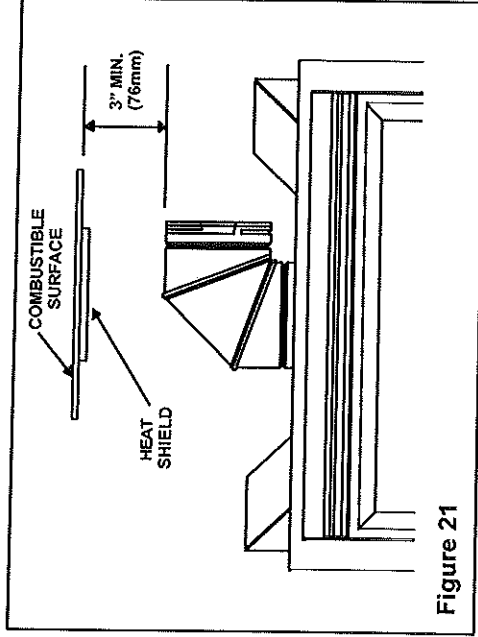
If the installation is for a termination cap attached directly to the fireplace, skip to the sections, **Install Firestops and Vent Termination.**

### 3. Continue Adding Vent Components

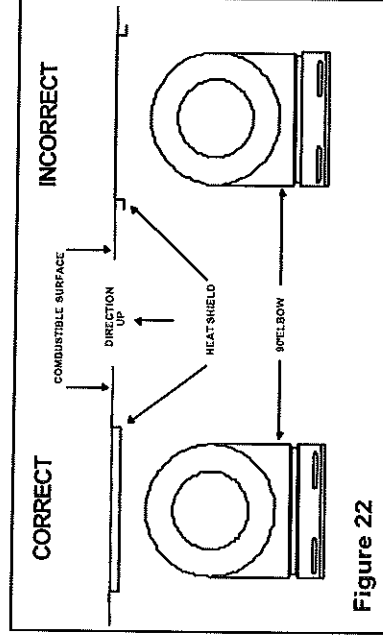
**WARNING: INSTALLATION OF THIS FIREPLACE REQUIRES THE USE OF HEAT SHIELD 570-290 ABOVE THE FIRST 90° ELBOW IN THE VENTING SYSTEM.**

#### To Install the Heat Shield:

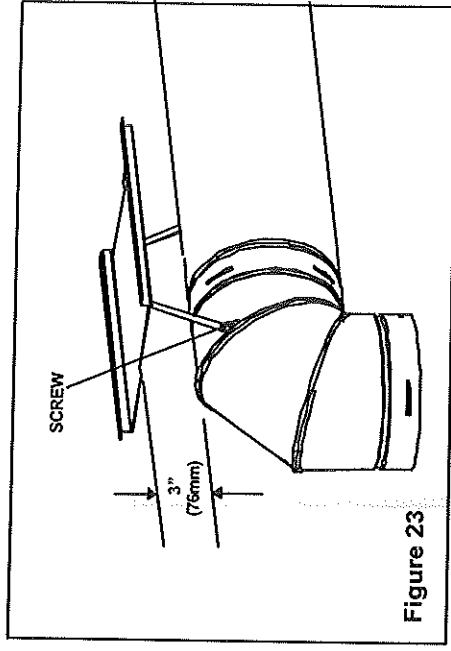
1. Determine if the heat shield is required. Do so by measuring the vertical distance between the top horizontal surface of the elbow to any combustible surface above. If the distance is more than 4 inches, the heat shield is **NOT** required. If it is 4 inches or less, the heat shield **IS REQUIRED**. Install per the following steps. See Figure 21.



2. Fasten the shield in place using the four pilot holes provided in the part. The shield should be oriented such that the 13 1/8 inch dimension (longest dimension) is running in the same direction the elbow is pointing. The shield should be centered directly above the elbow, and positioned so that it creates a 1/2 inch airspace between the shield and the combustible surface. See Figure 22.



- If the combustible materials are not in place at the time of install the elbow heat shield may be screwed to the exhaust pipe (see Figure 23). Cut the tabs as shown and bend down. Using the screws found in the manual bag secure the heat shield to the pipe maintaining 3" to 4" between the pipe and shield.



Refer to Cinch Pipe and Termination Cap installation instructions.

- Continue adding vent components, locking each succeeding component into place.
- Ensure that each succeeding vent component is securely fitted and locked into the preceding component in the vent system.
- 90° elbows may be installed and rotated to any point around the preceding component's vertical axis. If an elbow does not end up in a locked position with the preceding component, attach with a minimum of two (2) sheet metal screws.

### 4. Install Support Brackets

Refer to Cinch Pipe and Termination Cap installation instructions.

### 5. Install Firestops

**For Horizontal Runs** - Firestops are **REQUIRED** on both sides of a combustible wall through which the vent passes.  
**NOTE: Model DVP-TRAP does not need an exterior firestop on an exterior combustible wall.**

To install firestops for horizontal runs that pass through either interior or exterior walls:

- Cut a 10-inch by 12-inch (254mm x 305mm) hole through the wall.

**NOTE: The center of the hole is one (1) inch (25.4mm) above the center of the horizontal vent pipe.**

- Position the firestops on both sides of the hole previously cut and secure the firestops with nails or screws.
- The heat shields of the firestops **MUST BE** placed towards the top of the hole.
- Continue the vent run through the firestops.

**NOTE: There must be NO INSULATION or other combustibles inside the framed firestop opening.**

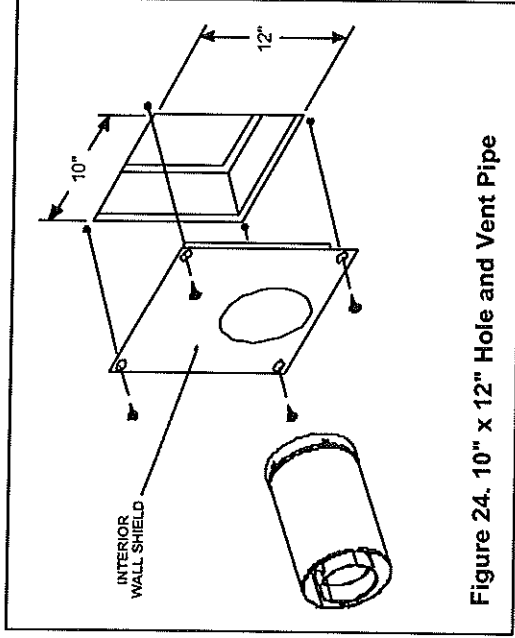


Figure 24. 10" x 12" Hole and Vent Pipe

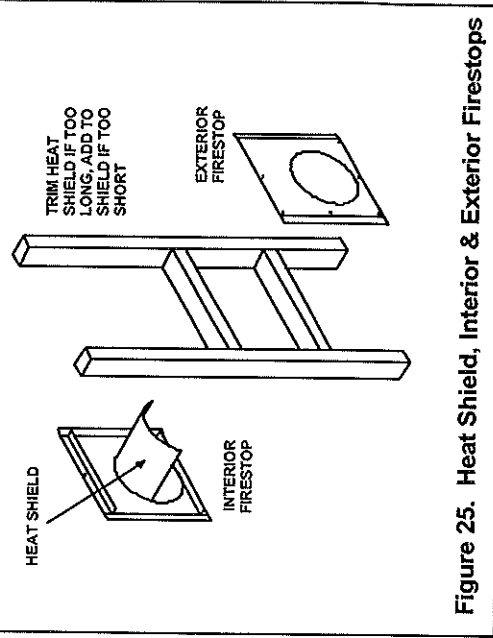


Figure 25. Heat Shield, Interior & Exterior Firestops

**For Vertical Runs** - One ceiling firestop is **REQUIRED** at the hole in each ceiling through which the vent passes.

To install firestops for vertical runs that pass through ceilings:

- Position a plumb bob directly over the center of the vertical vent component.
- Mark the ceiling to establish the centerpoint of the vent.
- Drill a hole or drive a nail through this centerpoint.
- Check the floor above for any obstructions, such as wiring or plumbing runs.
- Reposition the fireplace and vent system, if necessary, to accommodate the ceiling joists and/or obstructions.
- Cut an 10-inch x 10-inch (254mm x 254mm) hole through the ceiling, using the centerpoint previously marked.
- Frame the hole with framing lumber the same size as the ceiling joists.

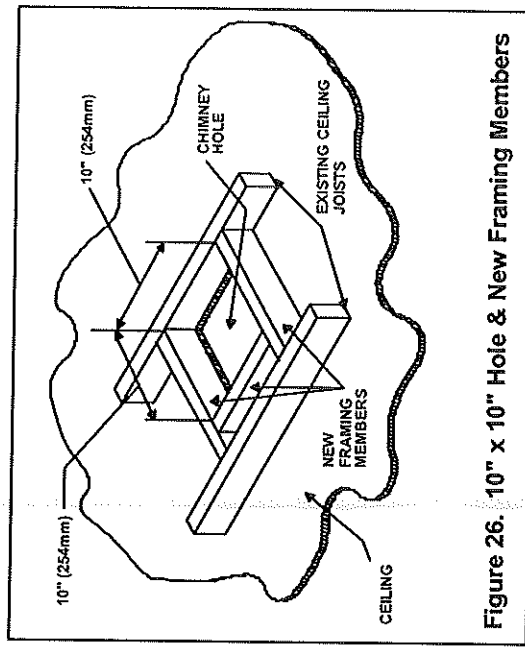
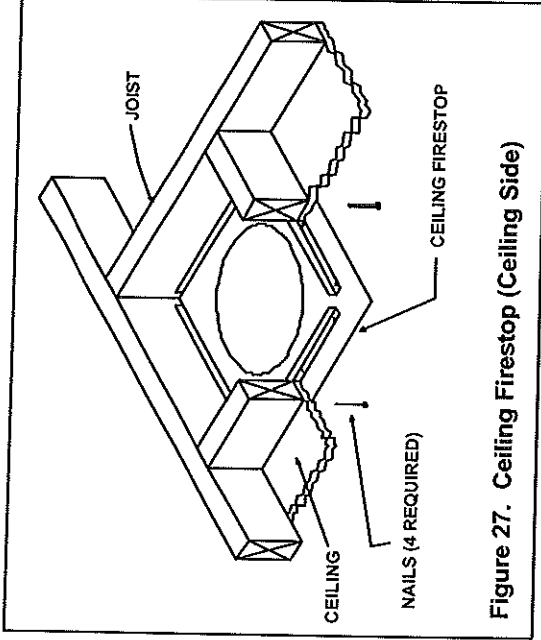


Figure 26. 10" x 10" Hole & New Framing Members

If the area above the ceiling is **NOT** an attic, position and secure the ceiling firestop on the ceiling side of the previously cut and framed hole.

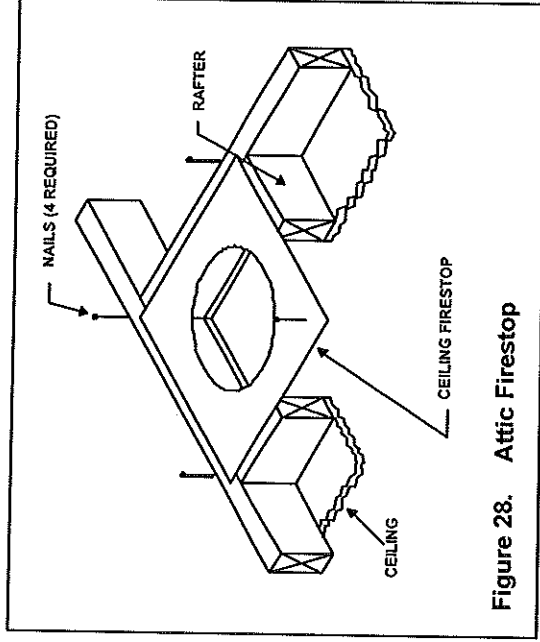
**NOTE:** There must be **NO INSULATION** or other combustibles inside the framed firestop opening.



**Figure 27. Ceiling Firestop (Ceiling Side)**

If the area above the ceiling **IS** an attic, position and secure the firestop on top of the previously framed hole.

**NOTE:** Keep *insulation away from the vent pipe at least 1 inch (25mm)*.



**Figure 28. Attic Firestop**

## C. Vent Termination

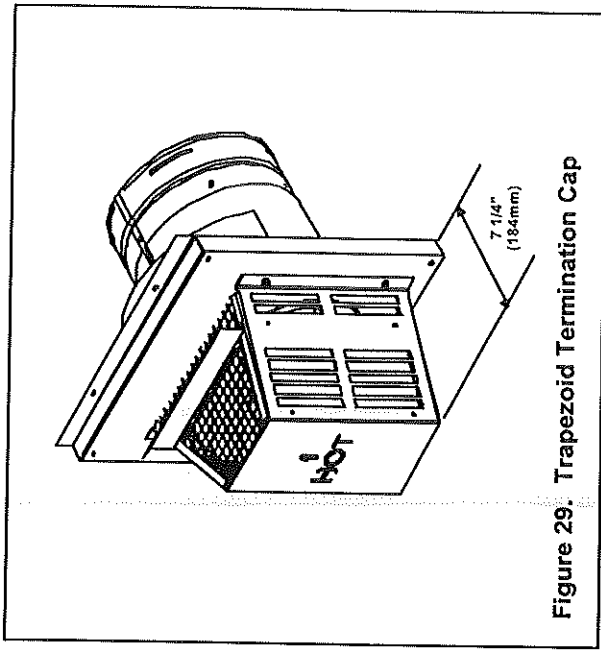
Refer to Cinch Pipe and Termination Cap installation instructions.

### Horizontal Termination

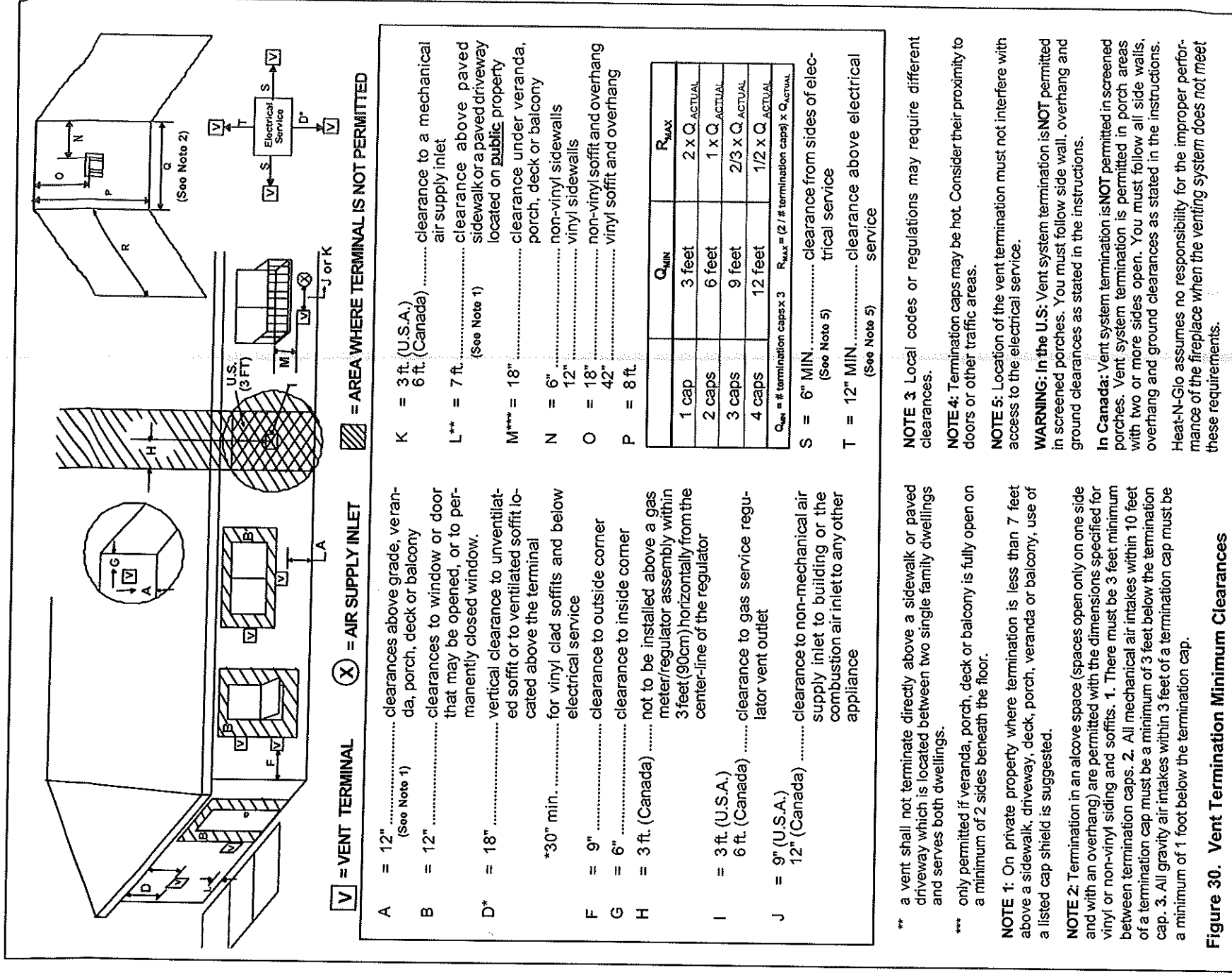
- The termination kit should pass through the wall firestops from the exterior of the building.
- Adjust the termination cap to its final exterior position on the building and interlock the flue sections.

**! WARNING: THE TERMINATION CAP MUST BE POSITIONED SO THAT THE ARROW IS POINTING UP.**

**! WARNING: VENTING TERMINALS SHALL NOT BE RECESSED INTO A WALL OR SIDING. VENT TERMINATION CLEARANCES MUST BE FOLLOWED TO AVOID FIRE DANGER. SEE VENT TERMINATION MINIMUM CLEARANCES DIAGRAM ON FOLLOWING PAGE.**

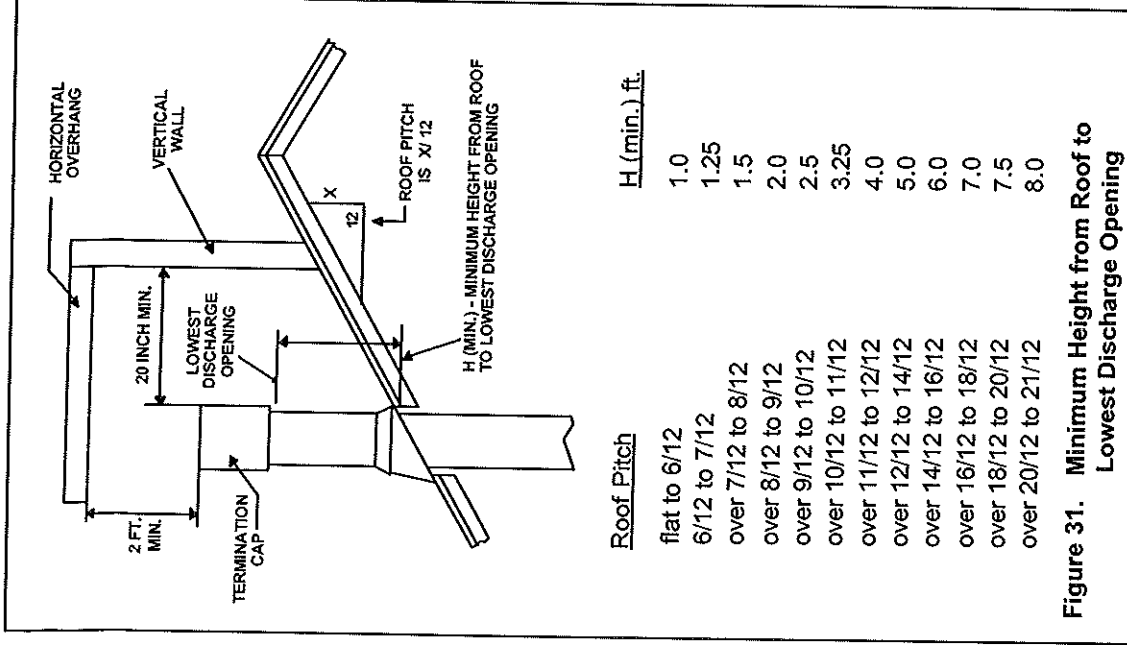


**Figure 29. Trapezoid Termination Cap**



**Figure 30. Vent Termination Minimum Clearances**

**CAUTION: IF EXTERIOR WALLS ARE FINISHED WITH VINYL SIDING, IT IS SUGGESTED THAT A VINYL PROTECTOR KIT BE INSTALLED.**



**Figure 31. Minimum Height from Roof to Lowest Discharge Opening**

**For Vertical Terminations** - To locate the vent and install the vent sections:

- Locate and mark the vent centerpoint on the underside of the roof, and drive a nail through the centerpoint.
- Make the outline of the roof hole around the centerpoint nail.
- The size of the roof hole framing dimensions depend on the pitch of the roof. There **MUST BE** a 1-inch (25.4mm) clearance from the vertical vent pipe to combustible materials.
- Mark the roof hole accordingly.
- Cover the opening of the installed vent pipes.
- Cut and frame the roof hole.
- Use framing lumber the same size as the roof rafters and install the frame securely. Flashing anchored to the frame must withstand heavy winds.
- Continue to install concentric vent sections up through the roof hole (for inside vent installations) or up past the roof line until you reach the appropriate distance above the roof (for outside terminations).

**WARNING: MAJOR U.S. BUILDING CODES SPECIFY MINIMUM CHIMNEY AND/OR VENT HEIGHT ABOVE THE ROOF TOP. THESE MINIMUM HEIGHTS ARE NECESSARY IN THE INTEREST OF SAFETY. SEE FIGURE 31 FOR MINIMUM HEIGHTS, PROVIDED THE TERMINATION CAP IS AT LEAST 20 INCHES FROM A VERTICAL WALL AND 2-FEET BELOW A HORIZONTAL OVERHANG.**

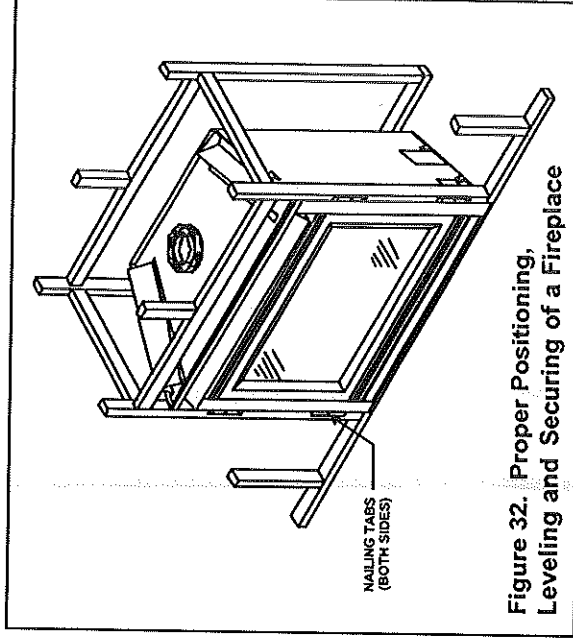
**NOTE:** This also pertains to vertical vent systems installed on the outside of the building.

To seal the roof hole, and to divert rain and snow from the vent system:

- Attach a flashing to the roof using nails, and use a non-hardening mastic around the edges of the flashing base where it meets the roof.
- Attach a storm collar over the flashing joint to form a water-tight seal. Place non-hardening mastic around the joint, between the storm collar and the vertical pipe.
- Slide the termination cap over the end of the vent pipe and snap into place.

#### Step 4. Positioning, Leveling, and Securing the Fireplace

The diagram below shows how to properly position, level, and secure the fireplace.



- Place the fireplace into position.
- Level the fireplace from side to side and front to back.
- Shim the fireplace with non-combustible material, such as sheet metal, as necessary.
- Secure the fireplace to the framing by nailing or screwing.



## Step 5. The Gas Control Systems

**⚠ WARNING: THIS UNIT IS NOT FOR USE WITH SOLID FUEL.**

Two types of gas control systems are used with these models: *Standing Pilot Ignition* and *Intermittent Pilot Ignition (IPI)*.

### Standing Pilot Ignition System

This system includes millivolt control valve, standing pilot, thermopile/thermocouple flame sensor, and piezo ignitor.

**⚠ WARNING: 110-120 VAC MUST NEVER BE CONNECTED TO A CONTROL VALVE IN A MILLIVOLT SYSTEM.**

### Intermittent Pilot Ignition (IPI) System

This system includes a 3V control valve, electronic module and intermittent pilot.

**⚠ WARNING: CONTINUOUS 110-120 VAC SERVICE MUST BE WIRED DIRECTLY TO THE FIRE-PLACE JUNCTION BOX.**

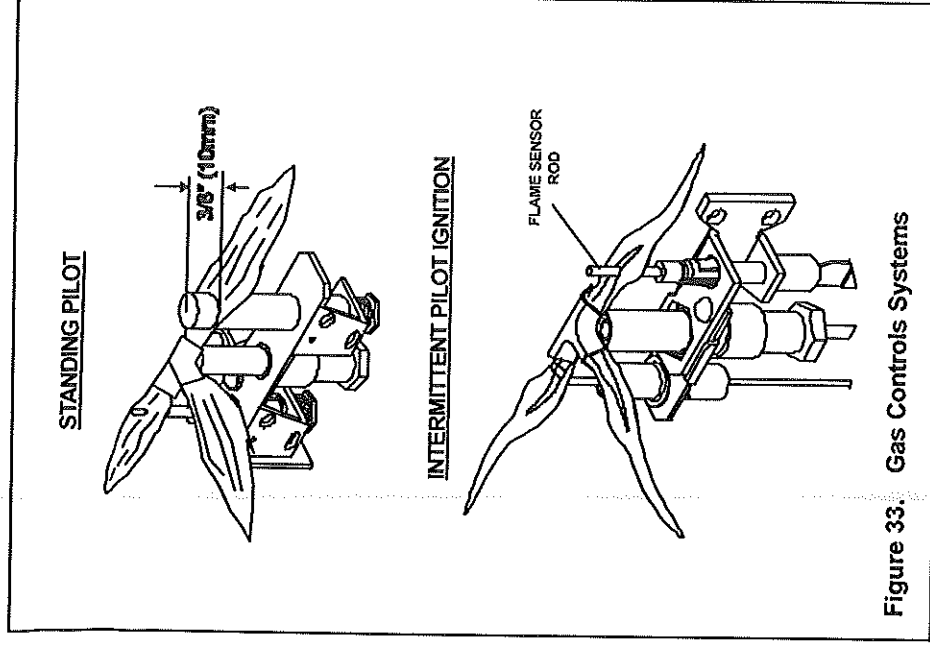


Figure 33. Gas Controls Systems

## Step 6. The Gas Supply Line

**NOTE:** Have the gas supply line installed in accordance with local building codes by a qualified installer approved and/or licensed as required by the locality. (In the Commonwealth of Massachusetts installation must be performed by a licensed plumber or gas fitter).

**NOTE:** Before the first firing of the fireplace, the gas supply line should be purged of any trapped air.

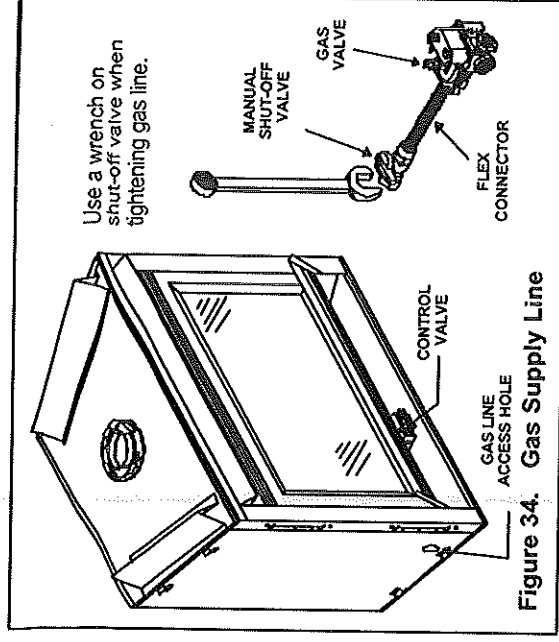
**NOTE:** Consult local building codes to properly size the gas supply line leading to the 1/2 inch (13mm) hook-up at the unit.

This gas fireplace is designed to accept a 1/2 inch (13 mm) gas supply line. To install the gas supply line:

- A listed (and Commonwealth of Massachusetts approved) 1/2 inch (13mm) tee-handle manual shut-off valve and a listed flexible gas connector are connected to the 1/2 inch (13mm) inlet of the control valve. **NOTE:** If substituting for these components, please consult local codes for compliance.
- Locate the gas line access hole in the outer casing of the fireplace.
- The gas line may be run from either side of the fireplace provided the hole in the outer wrap does not exceed 2 1/2" in diameter and it does not penetrate the actual firebox.
- The gap between the supply piping and gas access hole can be plugged with non-combustible insulation to prevent cold air infiltration.
- Open the fireplace lower grille, insert the gas supply line through the gas line hole, and connect it to the shut-off valve.
- When attaching the pipe, support the control so that the lines are not bent or torn.
- After the gas line installation is complete, use a commercially available, non-corrosive leak check solution to carefully check all gas connections for leaks.

**⚠ WARNING: DO NOT USE AN OPEN FLAME TO CHECK FOR GAS LEAKS.**

- At the gas line access hole, use insulation to re-pack the space around the gas pipe.
- Insert insulation from the outside of the fireplace and pack the insulation tightly to totally seal between the pipe and the outer casing.



## Step 7. Gas Pressure Requirements

Pressure requirements for Heat-N-Glo gas fireplaces are shown in the table below.

Pressure	Natural Gas	Propane
Minimum Inlet Pressure	5.0 inches w.c.	11.0 inches w.c.
Maximum Inlet Gas Pressure	14.0 inches w.c.	14.0 inches w.c.
Manifold Pressure	3.5 inches w.c.	10.0 inches w.c.

A one-eighth (1/8) inch (3 mm) N.P.T. plugged tapping is provided on the inlet and outlet side of the gas control for a test gauge connection to measure the manifold pressure. Use a small flat blade screwdriver to crack open the screw in the center of the tap. Position a rubber hose over the tap to obtain the pressure reading.

The fireplace and its individual shut-off valve must be disconnected from the gas supply piping system during any pressure testing of the system at test pressures in excess of one-half (1/2) psig (3.5 kPa).

The fireplace must be isolated from the gas supply piping system by closing its individual shut-off valve during any pressure testing of the gas supply piping system at test pressures equal to or less than one-half (1/2) psig (3.5 kPa).

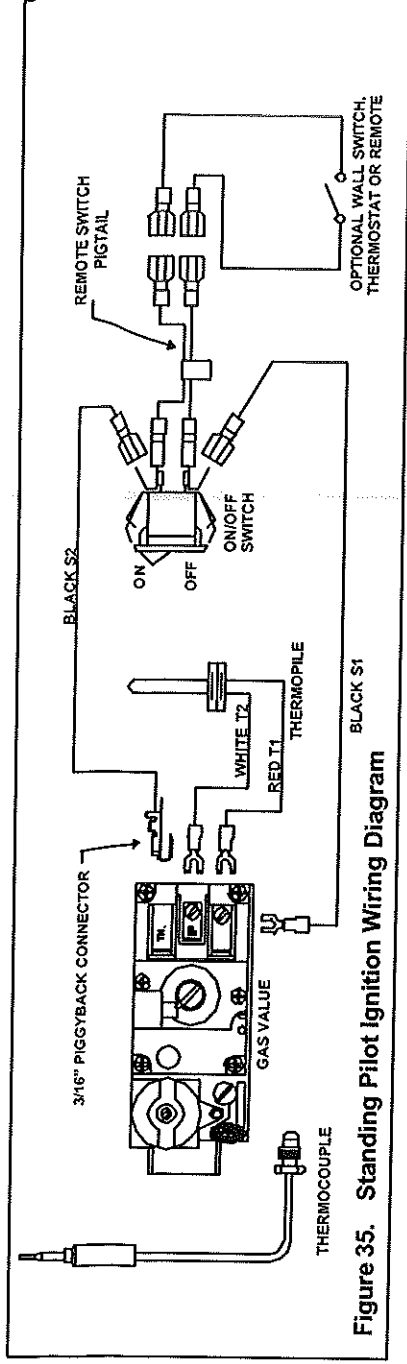


Figure 35. Standing Pilot Ignition Wiring Diagram

### Step 8. Wiring the Fireplace

**NOTE:** Electrical wiring must be installed by a licensed electrician.

**CAUTION: DISCONNECT REMOTE CONTROLS IF ABSENT FOR EXTENDED TIME PERIODS. THIS WILL PREVENT ACCIDENTAL FIREPLACE OPERATION.**

For Standing Pilot Ignition Wiring

Appliance Requirements

- This appliance **DOES NOT** require 110-120 VAC to operate.

**⚠ WARNING: DO NOT CONNECT 110-120 VAC TO THE GAS CONTROL VALVE OR THE APPLIANCE WILL MALFUNCTION AND THE VALVE WILL BE DESTROYED**

### Optional Accessories

Optional fan and remote control kits require that 110-120 VAC be wired to the factory installed junction box before the fireplace is permanently installed.

### Wall Switch

Position the wall switch in the desired position on a wall. Run a maximum of 25 feet (7.8 m) or less length of 18 A.W.G. minimum wire and connect it to the fireplace ON/OFF switch pigtails.

**⚠ WARNING: DO NOT CONNECT 110-120 VAC TO THE WALL SWITCH OR THE CONTROL VALVE WILL BE DESTROYED.**

**CAUTION: LABEL ALL WIRES PRIOR TO DISCONNECTION WHEN SERVICING CONTROLS. WIRING ERRORS CAN CAUSE IMPROPER AND DANGEROUS OPERATION. VERIFY PROPER OPERATION AFTER SERVICING.**

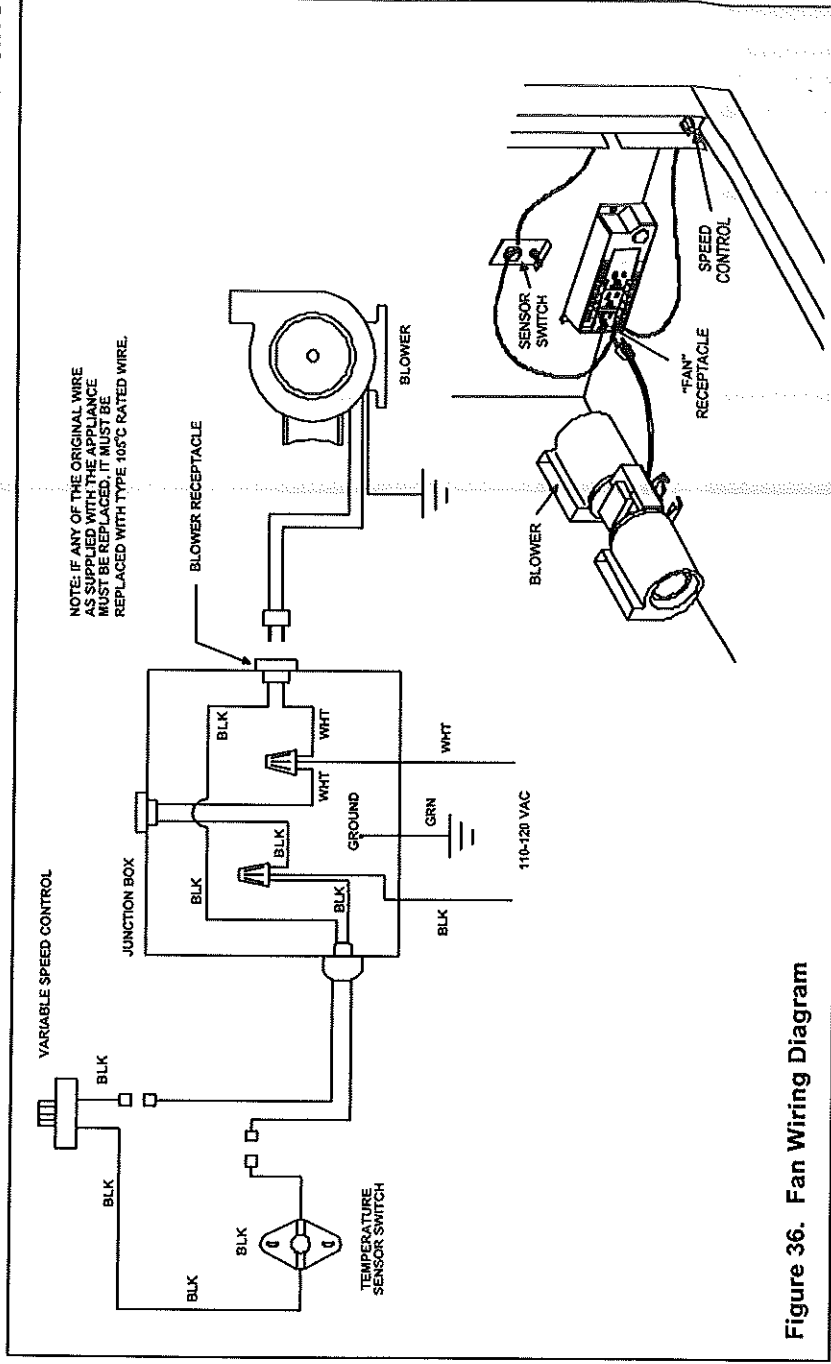
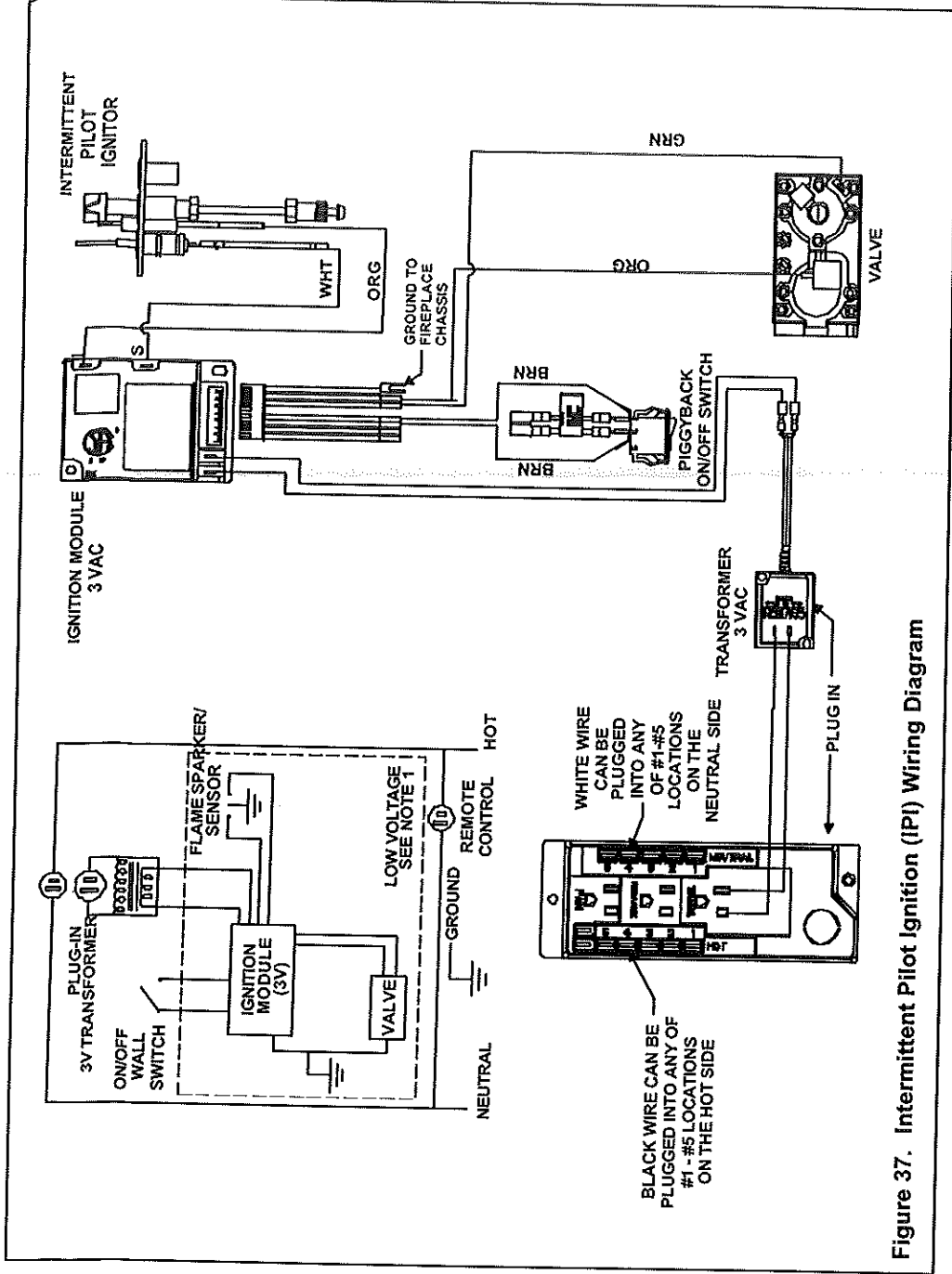


Figure 36. Fan Wiring Diagram



◆ **Figure 37. Intermittent Pilot Ignition (IPI) Wiring Diagram**

### Intermittent Pilot Ignition (IPI) Wiring

#### 3 Volt Transformer

This appliance comes with a 3 volt transformer found in the manual bag. Plug the transformer leads to the green control module (see Figure 37). Then plug the transformer into the side outlet on the junction box.

#### Appliance Requirements

This appliance requires that 110-120 VAC be wired to the factory installed junction box. Maintain correct polarity when wiring the junction box.

**⚠ WARNING: DO NOT CONNECT 110-120 VAC TO THE GAS CONTROL VALVE OR THE APPLIANCE WILL MALFUNCTION AND THE VALVE WILL BE DESTROYED.**

#### Operation using Battery Power

This fireplace has an optional battery operation. The system is fully functional with the use of two "D" size batteries without ordinary 110-120 VAC power.

Wiring to the battery pack should be left disconnected in order to conserve battery life. In the case of a loss of power, simply connect red and black wire leads to activate battery

power (connect red to red, black to black). The fireplace can be used as necessary. Once power (110 VAC) is restored, disconnect red and black wire leads to extend battery life.

#### Optional Accessories

Optional remote control kits require that 110-120 VAC be wired to the factory installed junction box before the fireplace is permanently installed.

#### Wall Switch

Position the wall switch in the desired position on a wall. Run a maximum of 25 feet (7.8 m) or less length of 18 A.W.G. minimum wire and connect it to the fireplace ON/OFF switch pigtails.



**WARNING: DO NOT CONNECT 110-120 VAC TO THE WALL SWITCH OR THE CONTROL VALVE WILL BE DESTROYED.**

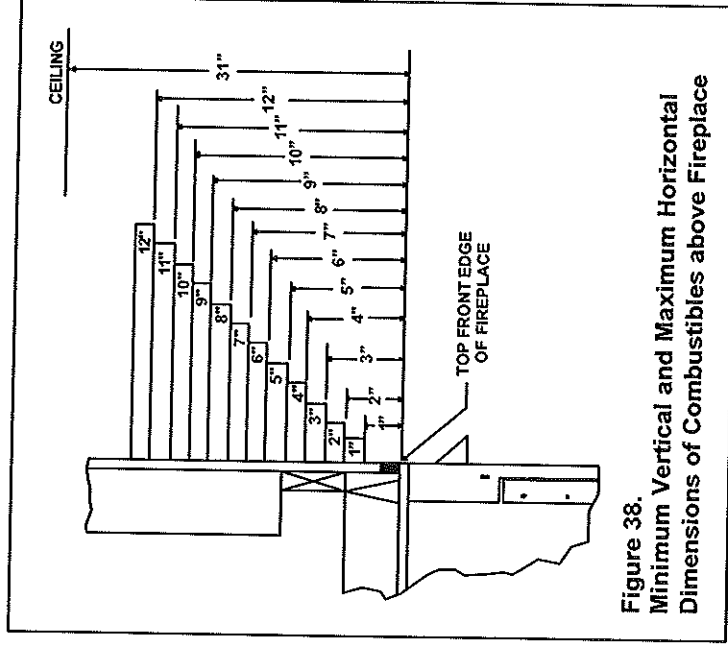
**CAUTION: LABEL ALL WIRES PRIOR TO DISCONNECTING WHEN SERVICING CONTROLS. WIRING ERRORS CAN CAUSE IMPROPER AND DANGEROUS OPERATION. VERIFY PROPER OPERATION AFTER SERVICING.**

### Step 9. Finishing

Figure 38 shows the minimum vertical and corresponding maximum horizontal dimensions of fireplace mantels or other combustible projections above the top front edge of the fireplace. See Figures 2 and 3 for other fireplace clearances.

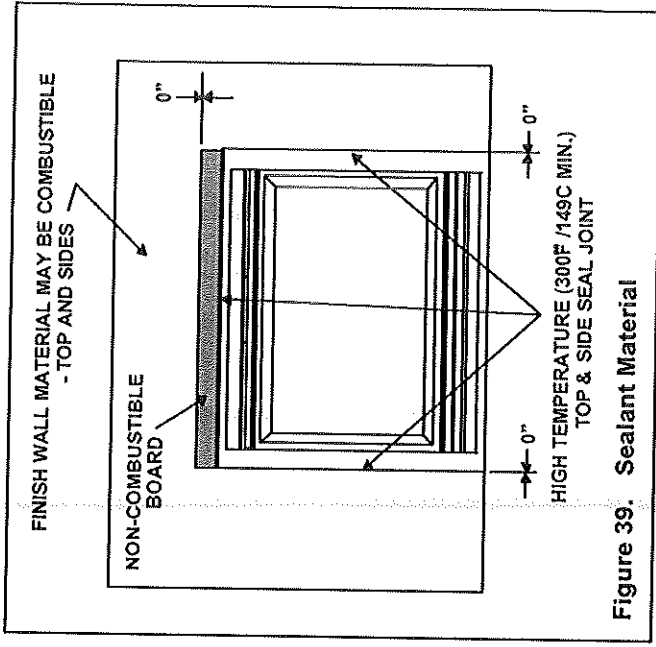
Only non-combustible materials may be used to cover the black fireplace front.

**! WARNING: WHEN FINISHING THE FIREPLACE NEVER OBSTRUCT OR MODIFY THE AIR INLET/OUTLET GRILLES IN ANY MANNER.**



**Figure 38.**  
Minimum Vertical and Maximum Horizontal  
Dimensions of Combustibles above Fireplace

**CAUTION: IF JOINTS BETWEEN THE FINISHED WALLS AND THE FIREPLACE SURROUND (TOP AND SIDES) ARE SEALED, A 300° F. MINIMUM SEALANT MATERIAL MUST BE USED. THESE JOINTS ARE NOT REQUIRED TO BE SEALED. ONLY NON-COMBUSTIBLE MATERIAL (USING 300° F. MINIMUM ADHESIVE, IF NEEDED) CAN BE APPLIED AS FACING TO THE FIREPLACE SURROUND. SEE THE DIAGRAM BELOW.**



**Figure 39.** Sealant Material

### Hearth Extensions

A hearth extension may be desirable for aesthetic reasons. However, ANSI or CAN/CGA testing standards do not require hearth extensions for gas fireplace appliances.

## Step 10. Installing Trim, Logs, and Ember Material

### Installing the Trim

Combustible materials may be brought up to the specified clearances on the side and top front edges of the fireplace, but **MUST NEVER** overlap onto the front face of the fireplace, between the finished wall and the fireplace top and sides can only be sealed with a 300° F. (149° C) minimum sealant.

**⚠ WARNING: WHEN FINISHING THE FIREPLACE, NEVER OBSTRUCT OR MODIFY THE AIR INLET/OUTLET GRILLES IN ANY MANNER.**

Install optional marble and brass trim surround kits as desired. Marble, brass, brick, tile, or other non-combustible materials can be used to cover up the gap between the finish wall material (usually sheetrock or wood) and the fireplace.

Do not obstruct or modify the air inlet/outlet grilles. When overlapping on both sides, leave enough space so that the bottom grille can be lowered and the trim door removed.

### Positioning the Logs

If the gas logs have been factory installed they should not need to be positioned. If the logs have been packaged separately, refer to the instructions that accompany the logs. **Save the log instructions with this manual.** If sooting occurs, the logs might need to be repositioned slightly to avoid excessive flame impingement.

### Shutter Settings

	NG	LP
Burner	3/8"	5/8"

### Placing the Ember Material

Ember material is shipped with this gas fireplace. To place the ember material:

- Pull the four glass latches off of the tabs on the glass frame. Remove glass door from the unit (see Figure 40).
- Embers **CANNOT** be placed directly over ports. Care should be taken not to cover the lighting trail of ports (from back to front).
- When placing Glowing embers onto the burner care should be taken so that the ports are not covered. Place the embers along side the port trail, but not on or in between the ports. Failure to follow this procedure will likely cause lighting and sooting problems.
- Save the remaining ember materials for use during fireplace servicing.
- Replace the glass door and a front trim door on the unit.
- Pull out and latch the glass clips onto the tabs on the glass frame.

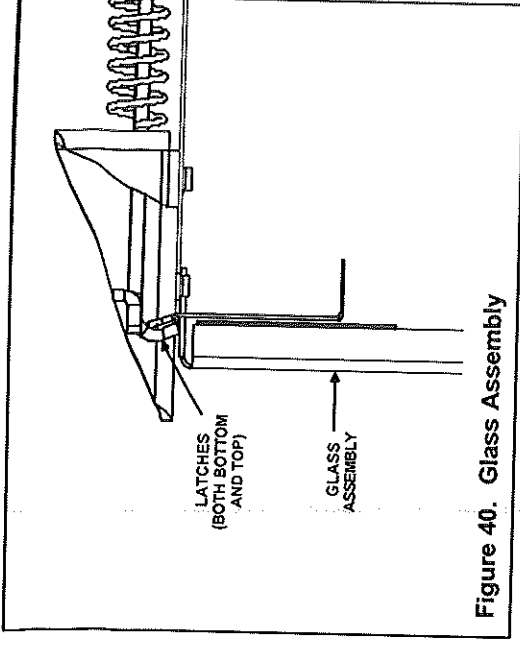


Figure 40. Glass Assembly

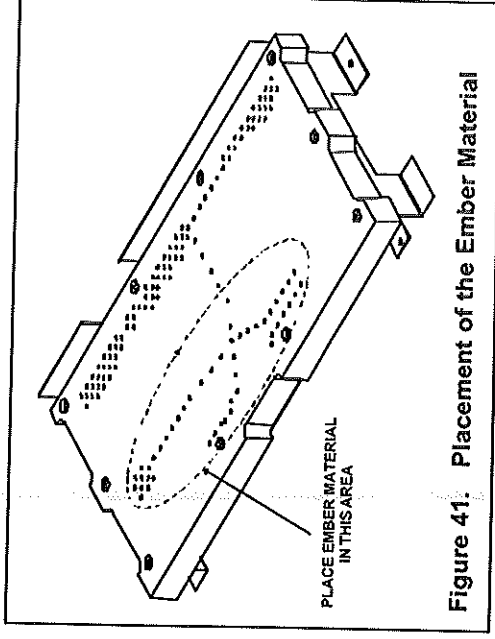


Figure 41. Placement of the Ember Material

## Glass Specifications:

### 8000TRD: TEMPERED

Heat-N-Glo fireplaces manufactured with tempered glass may be installed in hazardous locations such as bathtub enclosures as defined by the CPSC. The tempered glass has been tested and certified to the requirements of ANSI Z97.1-1984 and CPSC 16 CFR 1202. (Safety Glazing Certification Council SGCC # 1595 and 1597. Architectural Testing, Inc. Reports 02-31919.01 and 02-31917.01.)

This statement is in compliance with SPCS 16 CFR Section 1201.5 "Certification and labeling requirements" which refers to 15 USC 2063 stating "...Such certificate shall accompany the product or shall otherwise be furnished to any distributor or retailer to whom the product is delivered."

Some local building codes require the use of tempered glass with permanent marking in such locations. Glass meeting this requirement is available from the factory. Please contact your dealer or distributor to order.

## Step 11. Before Lighting the Fireplace

Before lighting the fireplace, be sure to do the following:

**Remove all paperwork from underneath the fireplace.**  
**Review safety warnings and cautions**

- Read the **Safety and Warning Information** section at the beginning of this *Installers Guide*.

**Double-check for gas leaks**

- Before lighting the fireplace, double-check the unit for possible gas leaks.

**Double-check vent terminations and front grilles for obstructions.**

- Before lighting the fireplace, double-check the unit for possible obstructions that could be blocking the vent terminations or the front grilles.

## Double-check for faulty components

- Any component that is found to be faulty **MUST BE** replaced with an approved component. Tampering with the fireplace components is **DANGEROUS** and voids all warranties.

A small amount of air will be in the gas supply lines. When first lighting the fireplace, it will take a few minutes for the lines to purge themselves of this air. Once the purging is complete, the fireplace will light and will operate normally. Subsequent lightings of the fireplace will not require this purging of air from the gas supply lines, **unless the gas valve has been turned to the OFF position**, in which case the air would have to be purged.

**NOTE:** The fireplace should be run 3 to 4 hours on the initial start-up. Turn it off and let it cool completely. Remove and clean the glass. Replace the glass and run the fireplace for an additional 8 hours. This will help to cure the products used in the paint and logs.

During this break-in period it is recommended that some windows in the house be opened for air circulation. This will help avoid setting off smoke detectors, and help eliminate any odors associated with the fireplace's initial burning.

## Step 12. Lighting the Fireplace

You've reviewed all safety warnings, you've checked the fireplace for gas leaks, you know the vent system is unobstructed, and you've checked for faulty components. Now you're ready to light the fireplace.



**WARNING: PLEASE REFER TO THE USER'S MANUAL FOR ALL CAUTIONS, SAFETY, AND WARNING INFORMATION PERTAINING TO THE LIGHTING AND OPERATION OF THE FIREPLACE.**

## After the Installation



**LEAVE THIS INSTALLATION MANUAL WITH THE APPLIANCE FOR FUTURE REFERENCE.**

# 4 Maintaining and Servicing Your Fireplace

## Fireplace Maintenance

Although the frequency of your fireplace servicing and maintenance will depend on use and the type of installation, you should have a qualified service technician perform an appliance check-up at the beginning of each heating season. See the table below for specific guidelines regarding each fireplace maintenance task.

### **IMPORTANT: TURN OFF THE GAS BEFORE SERVICING YOUR FIREPLACE.**

#### Replacing old ember material

**Frequency:** Once annually, during the checkup.

**By:** Qualified service technician.

**Task:** Brush away loose ember material near the burner. Replace old ember material. New ember material should be placed alternately on top of the burner. Save the remaining ember material and repeat this procedure at your next servicing. For more information, see **Placing Ember Material**.

#### Cleaning Burner and Controls

**Frequency:** Once annually.

**By:** Qualified service technician.

**Task:** Brush or vacuum the control compartment, fireplace logs and burner areas surrounding the logs.

#### Cleaning Flame Sensor Rod (IPI Systems)

**Frequency:** Annually.

**By:** Qualified service technician.

**Task:** Make a visual check of the straight flame sensor rod (see Figure 33). Use emery cloth to carefully remove any existing film or white deposits.

#### Checking Flame Patterns, Flame Height

**Frequency:** Periodically.

**By:** Qualified service technician/Home owner.

**Task:** Make a visual check of your fireplace's flame patterns. Make sure the flames are steady - not lifting or floating. See Figure 33. The flame sensor (IPI) or thermopile/thermocouple (standing pilot) tips should be covered with flame. See Figure 42.

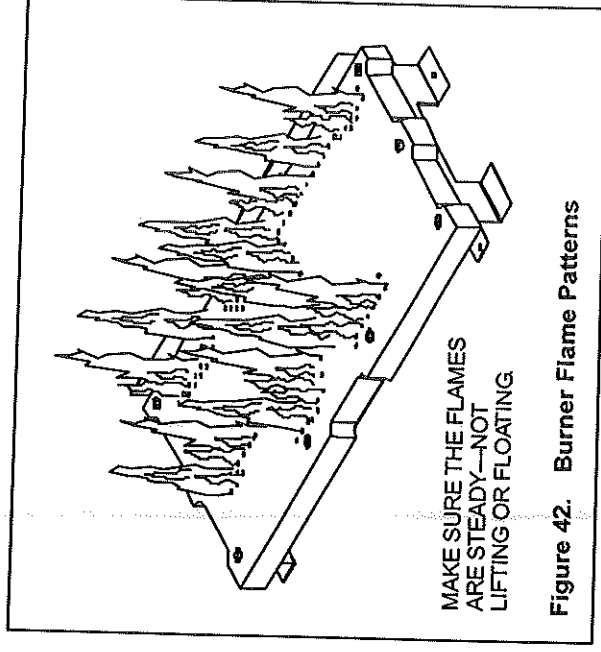


Figure 42. Burner Flame Patterns

#### Checking Vent System

**Frequency:** Before initial use and at least annually thereafter, more frequently if possible.

**By:** Qualified service technician/Home owner.

**Task:** Inspect the external vent cap on a regular basis to ensure that no debris is interfering with the flow of air. Inspect entire vent system for proper function.

#### Cleaning Glass Door

**Frequency:** After the first 3 to 4 hours of use. As necessary after initial cleaning.

**By:** Home owner.

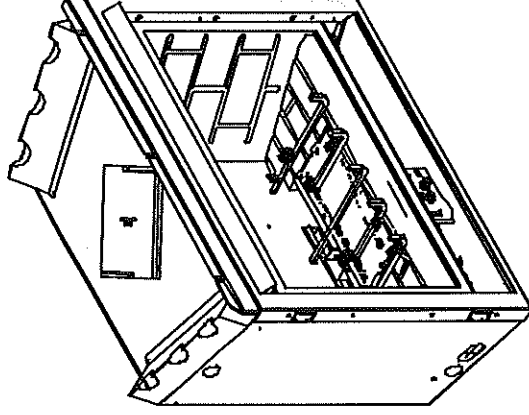
**Task:** Remove and clean glass after the first 3 to 4 hours of use. After the initial cleaning, clean as necessary, particularly after adding new ember (flame colorant) material. Film deposits on the inside of the glass door should be cleaned off using a household glass cleaner. **NOTE: DO NOT handle or attempt to clean the door when it is hot and DO NOT use abrasive cleaners.**



# HEAT-N-GLO

No one builds a better fire

**Models:**  
**8000TRD**  
**8000TRD-IPI**



## Installers Guide



Underwriters  
Laboratories Listed

**WARNING: IF THE INFORMATION IN THESE INSTRUCTIONS IS NOT FOLLOWED EXACTLY, A FIRE OR EXPLOSION MAY RESULT CAUSING PROPERTY DAMAGE, PERSONAL INJURY, OR DEATH.**

- Do not store or use gasoline or other flammable vapors and liquids in the vicinity of this or any other appliance.
- **What to do if you smell gas**
  - Do not try to light any appliance.
  - Do not touch any electrical switch.
  - Do not use any phone in your building.
  - Immediately call your gas supplier from a neighbor's phone. Follow the gas supplier's instructions.
  - If you cannot reach your gas supplier, call the fire department.
- Installation and service must be performed by a qualified installer, service agency, or the gas supplier.

READ THIS MANUAL BEFORE INSTALLING OR OPERATING THIS APPLIANCE. THIS **INSTALLERS GUIDE** MUST BE LEFT WITH APPLIANCE FOR FUTURE REFERENCE.

**WARNING: IMPROPER INSTALLATION, ADJUSTMENT, ALTERATION, SERVICE OR MAINTENANCE CAN CAUSE INJURY OR PROPERTY DAMAGE. REFER TO THIS MANUAL FOR ASSISTANCE OR ADDITIONAL INFORMATION CONSULT A QUALIFIED INSTALLER, SERVICE AGENCY, OR THE GAS SUPPLIER.**

1. This appliance may be installed in an apartment, permanently located, manufactured (mobile) home, where not prohibited by local codes.
2. This appliance is only for use with the type of gas indicated on the rating plate. This appliance is not convertible for use with other gases, unless a certified kit is used.

Printed in U.S.A. Copyright 2004.  
Heat-N-Glo, a brand of Hearth & Home Technologies Inc.  
20802 Kensington Boulevard, Lakeville, MN 55044

Please contact your Heat-N-Glo dealer for any questions or concerns. For the number of your nearest Heat-N-Glo dealer, please call 1-888-427-3973.

This product is covered by one or more of the following patents: (United States) 4,112,913; 4,408,594; 4,422,426; 4,424,792; 4,520,791; 4,793,322; 4,852,548; 4,875,484; 5,000,162; 5,016,609; 5,076,254; 5,191,877; 5,218,953; 5,328,356; 5,429,495; 5,452,708; 5,542,407; 5,613,487; (Australia) 543790; 566363; (Canada) 1,123,296; 1,237,746; 2,195,264; (Mexico) 97-0457; (New Zealand) 200266; or other U.S. and foreign patents pending.

## TABLE OF CONTENTS

Safety and Warning Information .....	2
◆ Service Parts Lists .....	4
<b>Section 1: Approvals and Codes</b> .....	<b>8</b>
Appliance Certification .....	8
Installation Codes .....	8
High Altitude Installations .....	8
<b>Section 2: Getting Started</b> .....	<b>9</b>
Introducing the Heat-N-Glo Gas Fireplaces .....	9
Pre-installation Preparation .....	9
<b>Section 3: Installing the Fireplace</b> .....	<b>11</b>
Constructing the Fireplace Chase .....	11
Step 1 Locating the Fireplace .....	11
Step 2 Framing the Fireplace .....	12
Step 3 Installing the Vent System .....	14
A. Vent System Approvals .....	14
B. Installing Vent Components .....	22
C. Vent Termination .....	25
Step 4 Positioning, Leveling, and Securing the Fireplace .....	27
Step 5 The Gas Control Systems .....	28
◆ Step 6 The Gas Supply Line .....	29
Step 7 Gas Pressure Requirements .....	29
◆ Step 8 Wiring the Fireplace .....	30
Step 9 Finishing .....	32
Step 10 Installing Trim, Logs, and Ember Material .....	33
Installing the Trim .....	33
Positioning the Logs .....	33
Shutter Settings .....	33
Placing the Ember Material .....	33
Glass Specifications .....	34
Step 11 Before Lighting the Fireplace .....	34
Step 12 Lighting the Fireplace .....	34
After the Installation .....	34
<b>Section 4: Maintaining and Servicing Your Fireplace</b> .....	<b>35</b>

◆ = Contains updated information.

**HEAT-N-GLO**

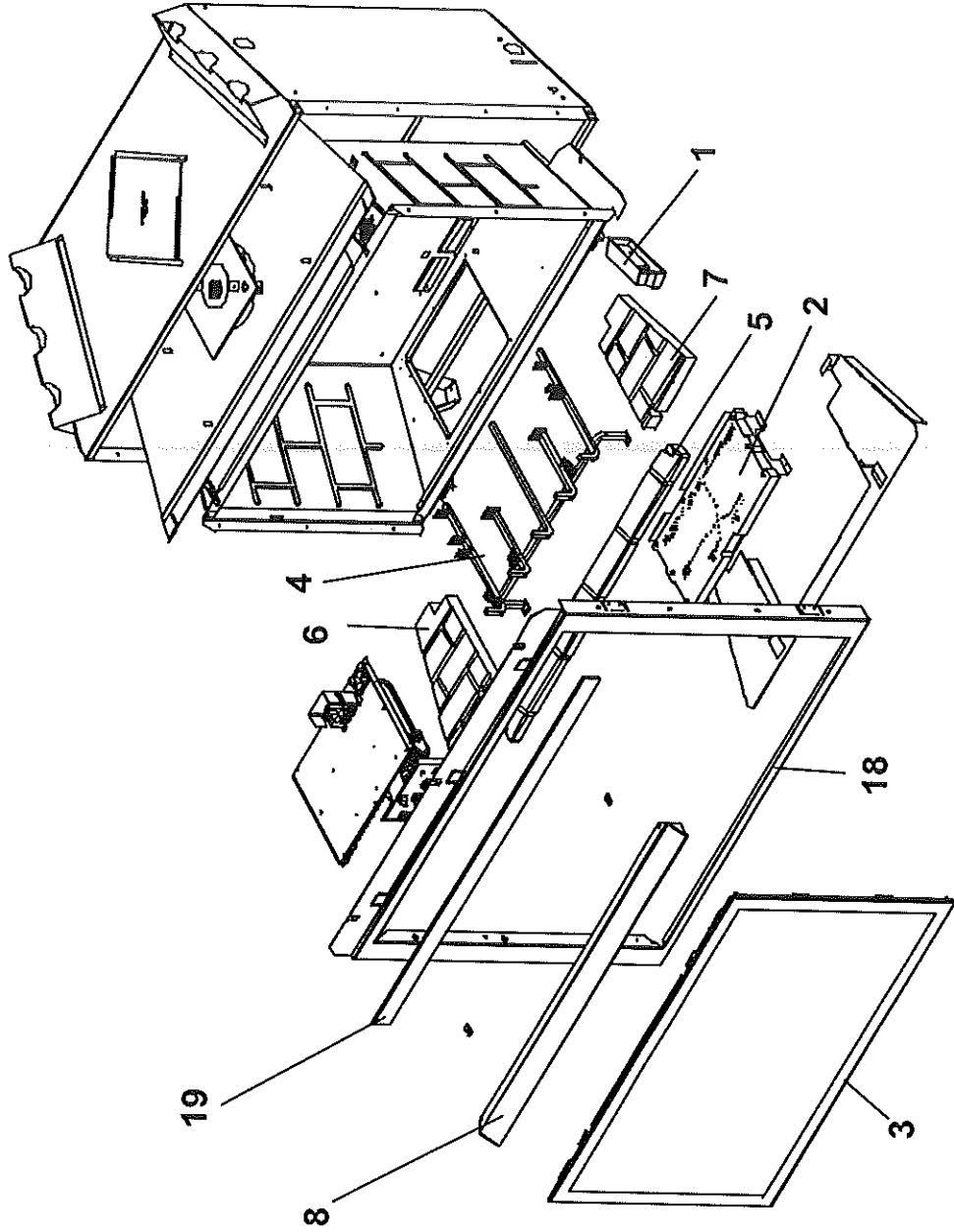
No one builds a better fire

*Service Parts*

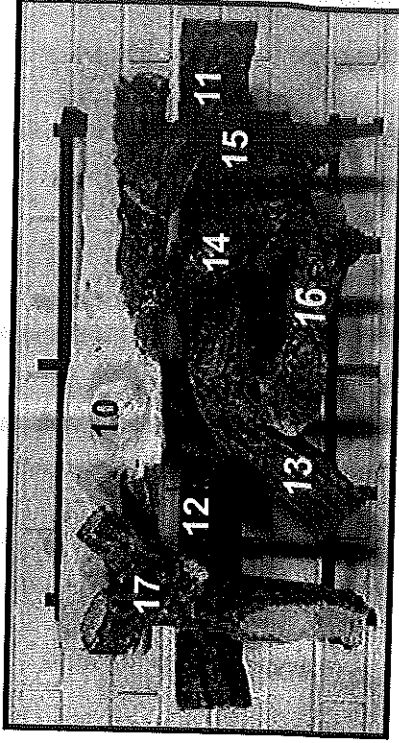
**8000TRD, 8000TRD-IP1**

(NG LP) Exploded Parts Diagram  
(GN, PL) Vue éclatée des pièces

8000TRD Beginning Manufacturing Date: 6-01  
8000TRD-IP1 Beginning Manufacturing Date: 8-01  
Ending Manufacturing Date: \_\_\_\_\_



9 Log Set Assembly



\* Part number list on following page.  
\* La liste des numéros de pièce se trouve à la page suivante.

## Service Parts List / Liste des pièces de rechange

8000TRD, 8000TRD-IPI

**IMPORTANT: THIS IS DATED INFORMATION.** The most current information is located on your dealers VIP site. When ordering, supply serial and model numbers to ensure correct service parts. / **IMPORTANT :** L'information fournie dans cette brochure n'est valide que pendant une courte période. Les sites VIP des distributeurs disposent des renseignements les plus récents. Lors d'une commande, veuillez fournir les numéros de série et de modèles pour un remplacement adéquat des pièces.

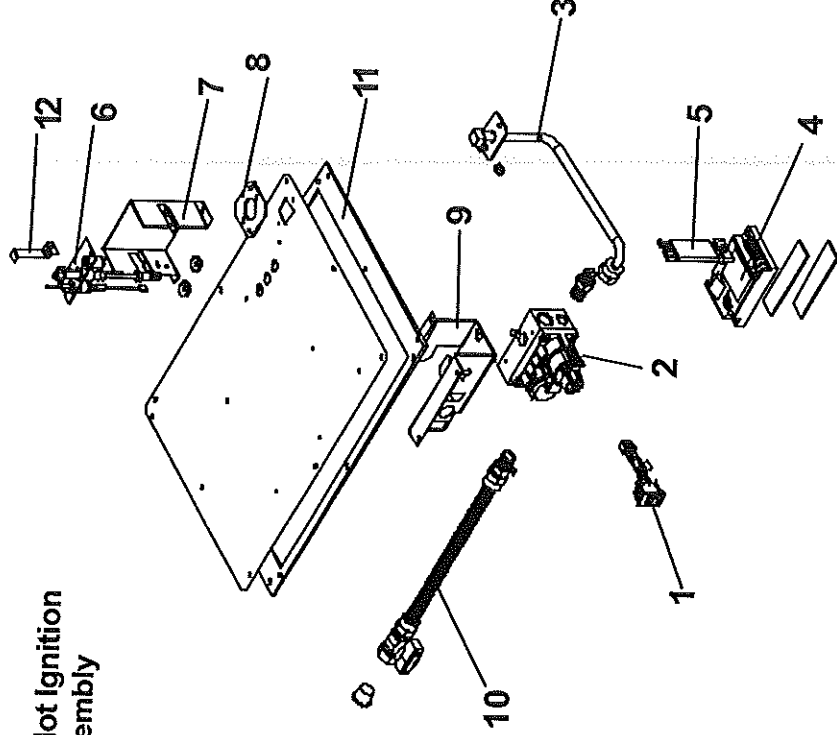
ITEM / PIÈCE	COMMON PARTS / PIÈCES COMMUNES	SERIAL # / N° DE SÉRIE	PART NUMBER / N° DE PIÈCE
	Burner Orifice NG (#31) / Orifice de brûleur GN (#31)		582-831
	Burner Orifice LP (1.8mm) / Orifice de brûleur PL (1.8mm)		582-818
2	Burner NG / Brûleur GN		380-378A-UM
2	Burner LP / Brûleur PL		2028-009
3	Glass Door Assembly / Porte en verre		GLA-8TRD
4	Log Grate / Grille de Bûche		582-360A
5	Refractory Base / Réfractaire Base		SRV582-370-UM
6	Refractory Left Base / Réfractaire		SRV582-376-UM
7	Refractory Right Base / Réfractaire		SRV582-377-UM
8	Hood / Hotte		SRV560-175
9	Log Set Assembly / Jeu de Bûches		LOGS-8TRC
10	Log 1 / Bûche 1		SRV582-701
11	Log 2 / Bûche 2		SRV582-703
12	Log 3 / Bûche 3		SRV582-702
13	Log 4 / Bûche 4		SRV582-704
14	Log 5 / Bûche 5		SRV402-701
15	Log 6 / Bûche 6		SRV582-706
16	Log 7 / Bûche 7		SRV582-707
17	Log 8 / Bûche 8		SRV582-705
18	Surround / Entourage		380-130
19	Insulation Board / Conseil d'Isolation		380-401
	Flue Restrictor / Restricteur de conduite de cheminée		385-128
<b>STANDING PILOT IGNITION* / D'ALLUMAGE PAR VEILLEUSE</b>			
1	Junction Box - Pilot / Boîtier de raccordement - de veilleuse	PRE 002324001 POST 002324001	100-250A 4021-013
	Pilot Orifice NG / Orifice de veilleuse GN		446-505
	Pilot Orifice PL / Orifice de veilleuse PL		446-517
	Thermocouple / Thermocouple		446-511
	Thermopile / Thermopile		060-512
	Conversion Kit NG / Module de conversion GN	Pre 2300 Post 2300	NGK-8TRD NGK-8TRD-A
	Conversion Kit LP / Module de conversion PL	Pre 1326 Post 1326	LPK-8TRD LPK-8TRD-A
<b>IPI IGNITION* / ALLUMAGE IPI</b>			
1	Junction Box / Boîtier de dérivation	PRE 002324001 POST 002324001	383-250A 4021-013
	Conversion Kit - IPI LP / Module de conversion - IPI PL		LPK-8TRD-IPI

\* Also see pages 6 and 7 for additional IPI and Standing Pilot Ignition service part numbers.

(NG, LP) Exploded Parts Diagram  
(GN, PL) Vue éclatée des pièces

Beginning Manufacturing Date: 8-01  
Ending Manufacturing Date:

### Intermittent Pilot Ignition Valve Assembly

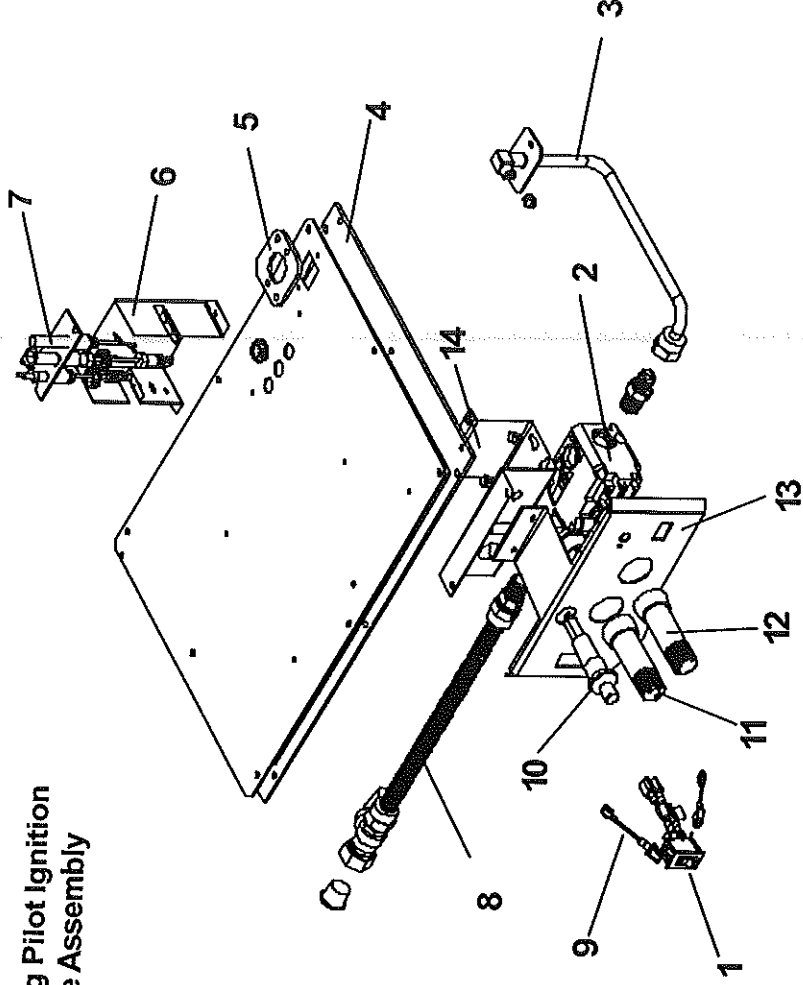


ITEM / PIÈCE	DESCRIPTION	SERIAL # / N° DE SÉRIE	PART NUMBER / N° DE PIÈCE
1	ON/OFF Rocker Switch / Interrupteur à bascule MARCHÉ/ARRÊT		060-521A
2	Valve NG / Valve GN		750-500
2	Valve LP / Valve PL		750-501
3	Flexible Gas Connector / Tuyau à gaz flexible	PRE 22099930 POST 22099930	477-301A 383-302A
4	Module / Module		593-592
5	Wire Assembly / Module de fil		593-590A
6	Pilot Assembly NG / Module de veilleuse GN	PRE 002324001 POST 002324001	385-510A 4021-025
6	Pilot Assembly LP / Module de veilleuse PL	PRE 002324001 POST 002324001	385-511A 4021-026
7	Pilot Bracket / Parenthèse Pilote		530-164
8	Gasket Orifice / Orifice de Joint		438-407
9	Valve Bracket / Parenthèse de Valve	PRE 002324001 POST 002324001	385-169 2025-101
10	Flex Ball Valve Assembly / Fléehir l'Assemblée de Soupape de Balle		302-320A
11	Valve Plate Gasket / Joint de Plat de Valve		385-402
12	Ground Strap / Courroie de Raison(Terre)		2025-512
	Transformer / Transformateur		593-593A
	Battery Pack / Paquet de Batterie(Pile)		593-594A

(NG LP) Exploded Parts Diagram  
(GN, PL) Vue éclatée des pièces

Beginning Manufacturing Date: 6-03  
Ending Manufacturing Date:

### Standing Pilot Ignition Valve Assembly



ITEM / PIÈCE	DESCRIPTION	SERIAL # / N° DE SÉRIE	PART NUMBER / N° DE PIÈCE
1	ON/OFF Rocker Switch / Interrupteur à bascule MARCHE/ARRÊT		060-521A
2	Valve NG / Valve GN		060-522
2	Valve LP / Valve PL		060-523
3	Flexible Gas Connector / Tuyau à gaz flexible	PRE 22099930 POST 22099930	477-301A 383-302A
4	Valve Plate Gasket / Joint de Plat de Valve		385-402
5	Burner Neck Gasket / Joint de Cou de Brûleur		438-407
6	Pilot Bracket / Parenthèse Pilote		530-164
7	Pilot Assembly NG / Module de veilleuse GN		485-510A
7	Pilot Assembly LP / Module de veilleuse PL		485-511A
8	Flex Ball Valve Assembly / Fléehir l'Assemblée de Soupape de Balle		302-320A
9	Wire Assembly / Module de fil		049-552A
10	Piezo Ignitor / Allumeur piézo		291-513
11	Pilot Control Knob / Piloter le Bouton de Contrôle		571-530
12	Flame Control Knob / Flamber le Bouton de Contrôle		571-531
13	Control Panel / Tableau de commande avant		385-154
14	Valve Bracket / Parenthèse de Valve		550-169

# 1

## Approvals and Codes

### Appliance Certification

The Heat-N-Glo fireplace models discussed in this *Installers Guide* have been tested to certification standards and listed by the applicable laboratories.

Certification	
MODEL:	8000TRD
LABORATORY:	Underwriters Laboratories
TYPE:	Direct Vent Gas Fireplace
STANDARD:	ANSI Z21.50b-2000•CSA2.22b-2000•UL307B

### Installation Codes

The fireplace installation must conform to local codes. Before installing the fireplace, consult the local building code agency to ensure that you are in compliance with all applicable codes, including permits and inspections.

In the absence of local codes, the fireplace installation must conform to the National Fuel Gas Code ANSI Z223.1 (in the United States) or the CAN/CGA-B149 Installation Codes (in Canada). The appliance must be electrically grounded in accordance with local codes or, in the absence of local codes with the National Electric Code ANSI/NFPA No. 70 (in the United States), or to the CSA C22.1 Canadian Electric Code (in Canada).

These models may be installed in a bedroom or bed-sitting room in the U.S.A. and Canada.

### High Altitude Installations

U.L. Listed gas appliances are tested and approved without requiring changes for elevations from 0 to 2,000 feet in the U. S. A. and in Canada.

When installing this appliance at an elevation above 2,000 feet, it may be necessary to decrease the input rating by changing the existing burner orifice to a smaller size. Input rate should be reduced by 4% for each 1000 feet above a 2000 foot elevation in the U.S.A. or 10% for elevations between 2000 and 4500 feet in Canada. If the heating value of the gas has been reduced, these rules do not apply. To identify the proper orifice size, check with the local gas utility.

If installing this appliance at an elevation above 4,500 feet (in Canada), check with local authorities.



Heat-N-Glo Quality  
Systems registered  
by SGS ICS

# 2

## Getting Started

### Introducing the Heat-N-Glo Gas Fireplaces

Heat-N-Glo direct vent gas fireplaces are designed to operate with all combustion air siphoned from outside of the building and all exhaust gases expelled to the outside.

The information contained in this *Installers Guide*, unless noted otherwise, applies to all models and gas control systems. Gas fireplace diagrams, including the dimensions, are shown in this section.

### Pre-install Preparation

This gas fireplace and its components are tested and safe when installed in accordance with this *Installers Guide*. Report to your dealer any parts damaged in shipment, particularly the condition of the glass. **Do not install any unit with damaged, incomplete, or substitute parts.**

The vent system components are shipped in separate packages. The gas logs may be packaged separately and must be field installed.

**Read all of the instructions before starting the installation. Follow these instructions carefully during the installation to ensure maximum safety and benefit. Failure to follow these instructions will void the owner's warranty and may present a fire hazard.**

The Heat-N-Glo Warranty will be voided by, and Heat-N-Glo disclaims any responsibility for, the following actions:

- Installation of any damaged fireplace or vent system component.

- Modification of the fireplace or direct vent system.
- Installation other than as instructed by Heat-N-Glo.
- Improper positioning of the gas logs or the glass door.
- Installation and/or use of any component part not manufactured and approved by Heat-N-Glo, not withstanding any independent testing laboratory or other party approval of such component part or accessory.

### ANY SUCH ACTION MAY POSSIBLY CAUSE A FIRE HAZARD.

When planning a fireplace installation, it's necessary to determine:

- Where the unit is to be installed.
  - The vent system configuration to be used.
  - Gas supply piping.
  - Electrical wiring.
  - Framing and finishing details.
  - Whether optional accessories—devices such as a fan, wall switch, or remote control—are desired.
- If the fireplace is to be installed on carpeting or tile, or on any combustible material other than wood flooring, the fireplace should be installed on a metal or wood panel that extends the full width and depth of the fireplace.



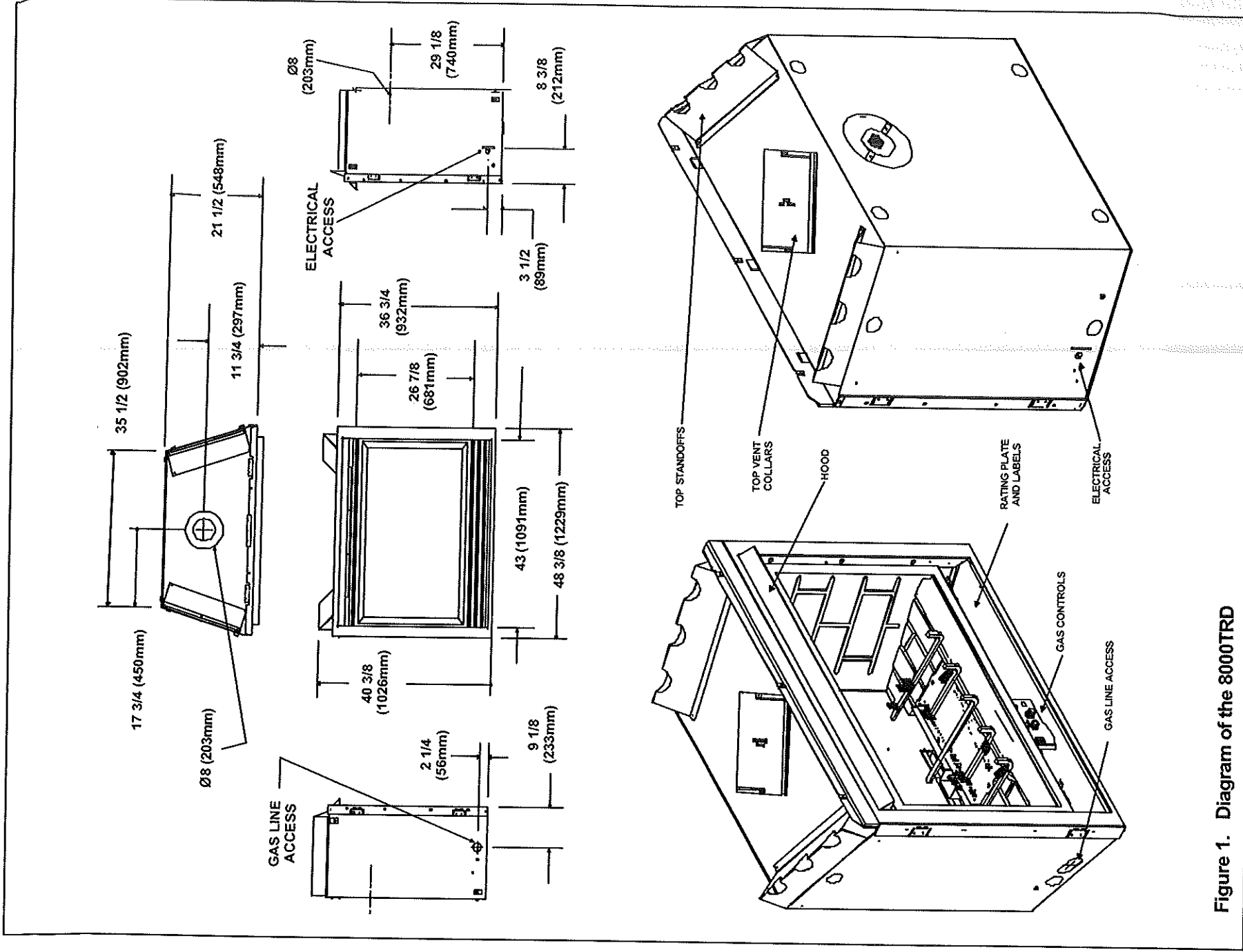


Figure 1. Diagram of the 8000TRD

# 3

## Installing the Fireplace

### Constructing the Fireplace Chase

A chase is a vertical box-like structure built to enclose the gas fireplace and/or its vent system. Vertical vents that run on the outside of a building may be, but are not required to be, installed inside a chase.

**CAUTION: TREATMENT OF FIRESTOP SPACERS AND CONSTRUCTION OF THE CHASE MAY VARY WITH THE TYPE OF BUILDING. THESE INSTRUCTIONS ARE NOT SUBSTITUTES FOR THE REQUIREMENTS OF LOCAL BUILDING CODES. THEREFORE, YOUR LOCAL BUILDING CODES MUST BE CHECKED TO DETERMINE THE REQUIREMENTS FOR THESE STEPS.**

Factory-built fireplace chases should be constructed in the manner of all outside walls of the home to prevent cold air drafting problems. The chase should not break the outside building envelope in any manner.

This means that the walls, ceiling, base plate and cantilever floor of the chase should be insulated. Vapor and air infiltration barriers should be installed in the chase as per regional codes for the rest of the home. Additionally, Heat-N-Glo recommends that the inside surfaces be sheetrocked and taped for maximum air tightness.

To further prevent drafts, the firestops should be caulked to seal gaps. Gas line holes and other openings should be caulked or stuffed with insulation. If the unit is being installed on a cement slab, we recommend that a layer of plywood be placed underneath to prevent conducting cold up into the room.

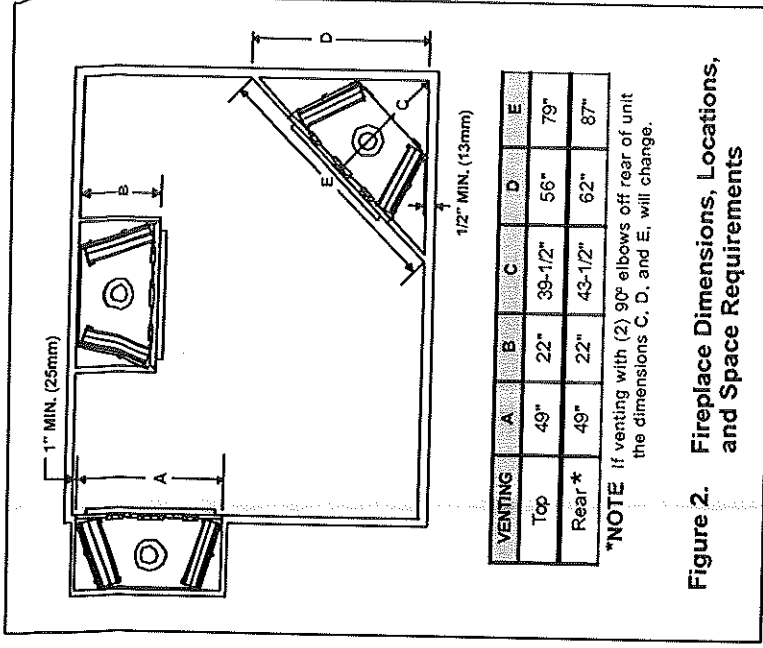
**THE CHASE SHOULD BE CONSTRUCTED SO THAT ALL CLEARANCES TO THE FIREPLACE ARE MAINTAINED AS SPECIFIED WITHIN THIS INSTALLERS GUIDE.**

### Step 1. Locating the Fireplace

The following diagram shows space and clearance requirements for locating a fireplace within a room.

#### Clearance Requirements

The top, back, and sides of the fireplace are defined by stand-offs. The minimum clearance to a perpendicular wall extending past the face of the fireplace is one inch (25 mm). The back of the fireplace may be recessed 21 1/2 inches (546 mm) into combustible construction.



**Figure 2. Fireplace Dimensions, Locations, and Space Requirements**

### Minimum Clearances from the Fireplace to Combustible Materials

	Inches	mm
Glass Front	36	914
Floor	0	0
Rear	1/2	13
Sides	1/2	13
Top	3 1/2	89
Ceiling**	31	787

\* See Figure 3.

\*\* The clearance to the ceiling is measured from the top of the unit, excluding the standoffs (see Figure 38).

The distance from the unit to combustible construction is to be measured from the unit outer wrap surface to the combustible construction, NOT from the screw heads that secure the unit together.

### Minimum Clearances from the Vent Pipe to Combustible Materials

	Inches	mm
Vertical Sections	1	25
<b>Horizontal Sections</b>		
Top	3	75
Bottom	1	25
Sides	1	25
<b>At Wall Firestops</b>		
Top	3	75
Bottom	1	25
Sides	1	25

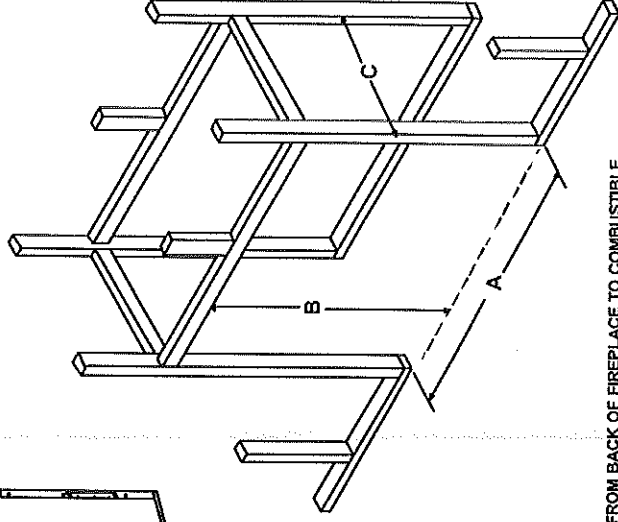
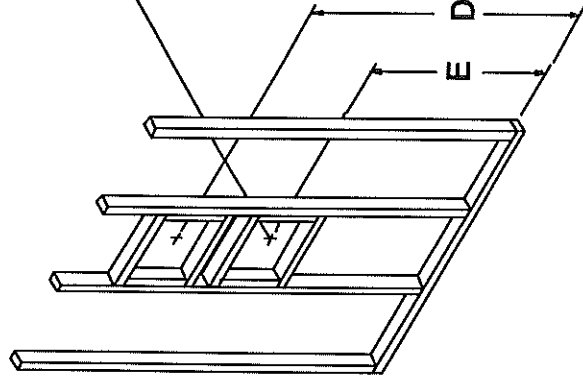
For minimum clearances, see the direct vent termination clearance diagrams on pages 26 and 27 in this manual.

## Step 2. Framing the Fireplace

Fireplace framing can be built before or after the fireplace is set in place. Framing should be positioned to accommodate wall coverings and fireplace facing material. The diagram below shows framing reference dimensions.

**CAUTION: MEASURE FIREPLACE DIMENSIONS AND VERIFY FRAMING METHODS AND WALL COVERING DETAILS BEFORE FRAMING.**

Shows center of 10" x 12" vent framing holes for top and rear venting. The center of the hole is one (1) inch (25.4mm) above the center of the horizontal vent pipe.



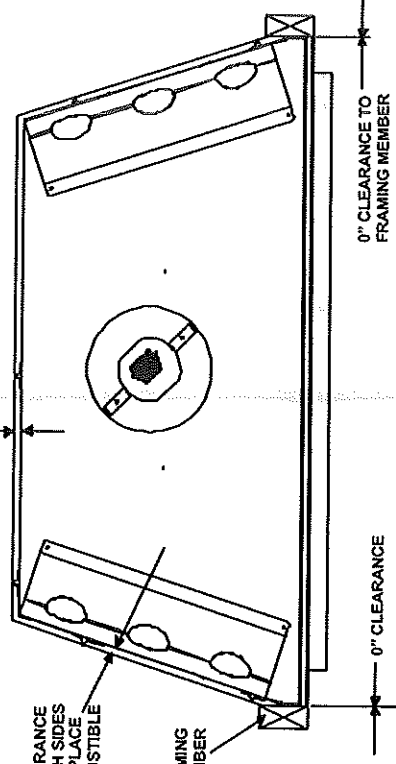
1/2" CLEARANCE FROM BACK OF FIREPLACE TO COMBUSTIBLE

1/2" CLEARANCE FROM BOTH SIDES OF FIREPLACE TO COMBUSTIBLE

FRAMING MEMBER

- A ..... 49"
- B ..... 40 1/2"
- C ..... 22"
- D ..... 44 1/8"
- E ..... 30 1/8"

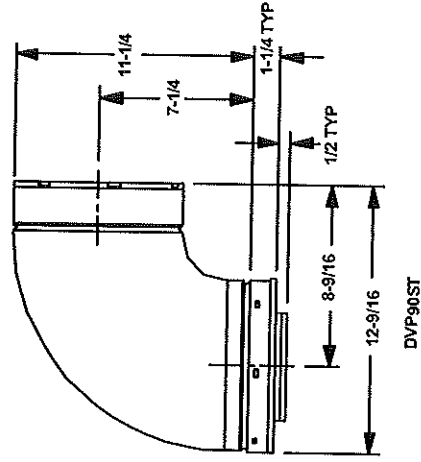
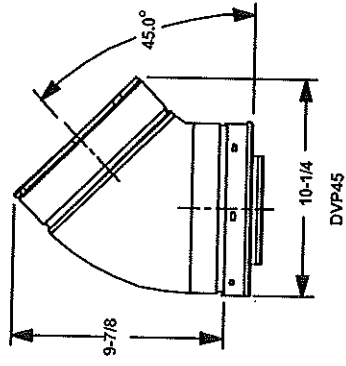
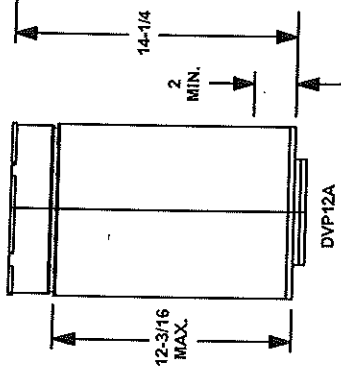
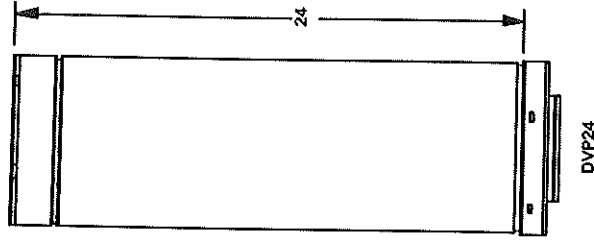
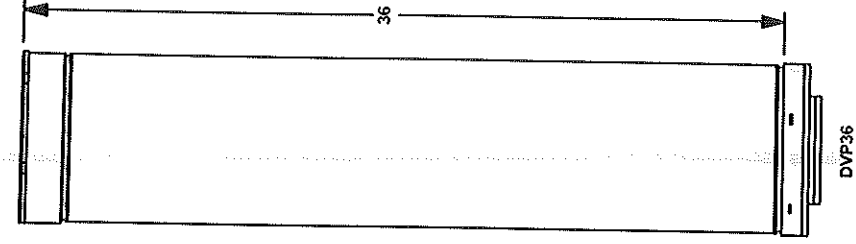
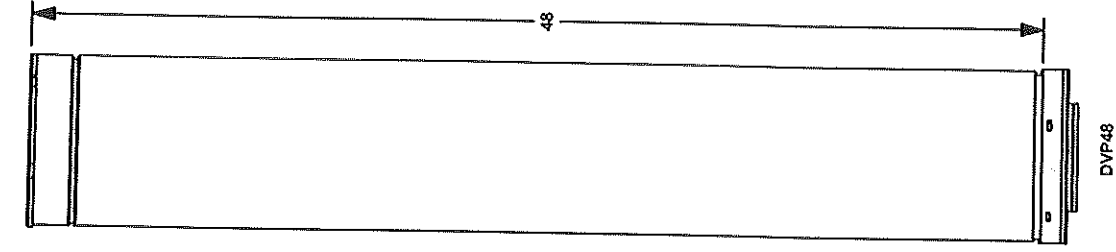
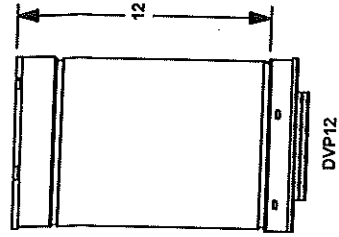
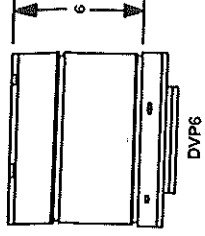
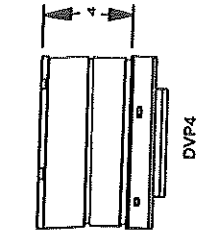
Framing should be constructed of 2 X 4 lumber or heavier.



0" CLEARANCE

0" CLEARANCE TO FRAMING MEMBER

Figure 3. Framing Dimensions



NOTE: PIPES OVERLAP 1-1/4 INCHES AT EACH JOINT.

Figure 4. DVP-Series Direct Vent Component Specifications (5-inch inner pipe / 8-inch outer pipe)

### Step 3. Installing the Vent System

#### A. Vent System Approvals

These models are approved to use DVP-series direct vent pipe components and terminations (see Figures 4 and 5). Approved vent system components are labeled for identification. This pipe is tested and listed as an approved component of the fireplace. The pipe is tested to be run inside an enclosed wall. There is no requirement for inspection openings at each joint within the wall. There is no required pitch for horizontal vent runs. **NO OTHER VENTING SYSTEMS OR COMPONENTS MAY BE USED.**

Detailed installation instructions are included with each vent termination kit and should be used in conjunction with this *Installers Guide*.

The flame and ember appearance may vary based on the type of fuel burned and the venting configuration used.

#### Identifying Vent Components

The vent systems installed on this gas fireplace may include one, two, or three 90° elbow assemblies. The relationships of vertical rise to horizontal run in vent configurations using 90° elbows **MUST BE** strictly adhered to. The rise to run relationships are shown in the venting drawings and tables. Refer to the diagrams on the next several pages.

**NOTE: Two 45° elbows may be used in place of one 90° elbow. Rise to run ratios in the vent system must be followed if 45° elbows are used.**

This model has vent starting collars on both the top and the back of the unit. Depending upon the installation, decide which **ONE** set of starting collars will be used to attach the vent system. The starting collar sealing cap must remain on the starting collar **NOT** used.

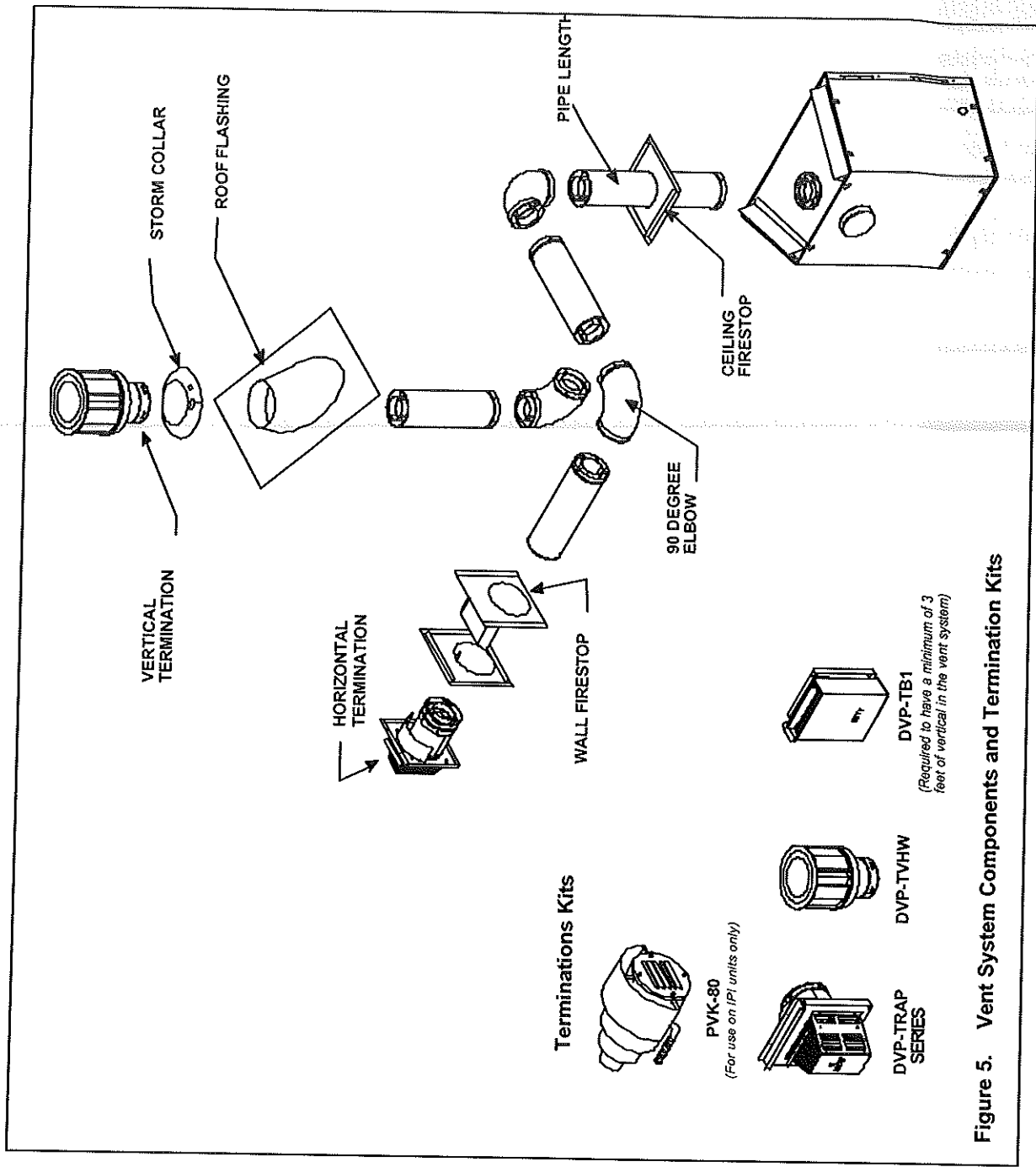
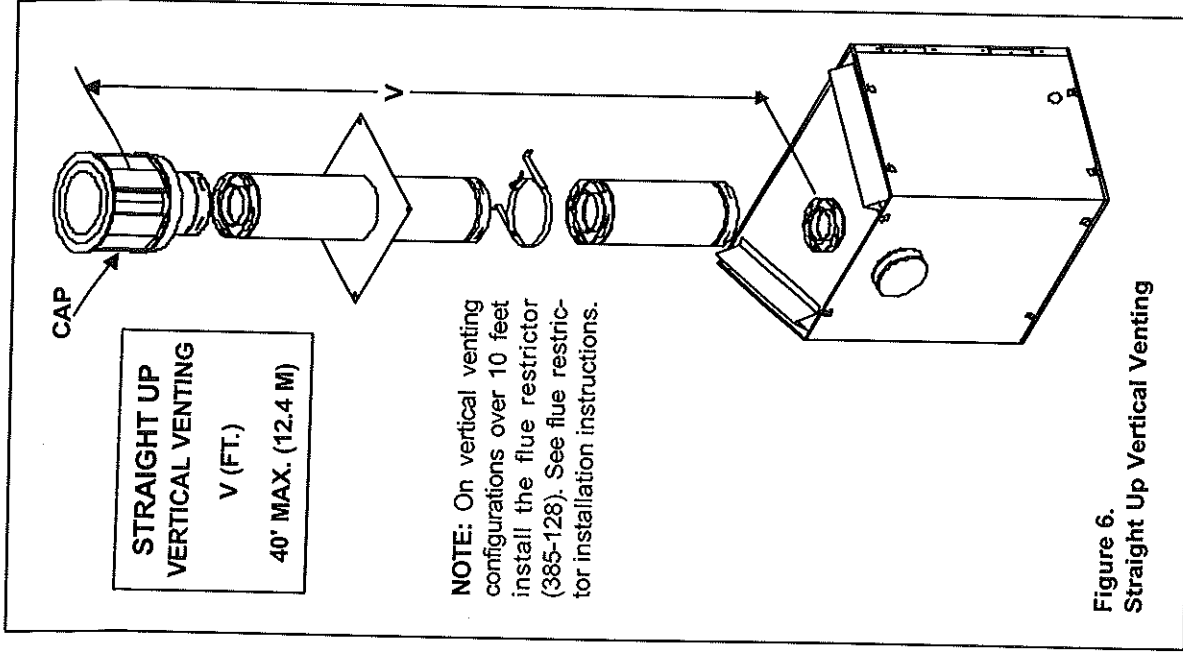
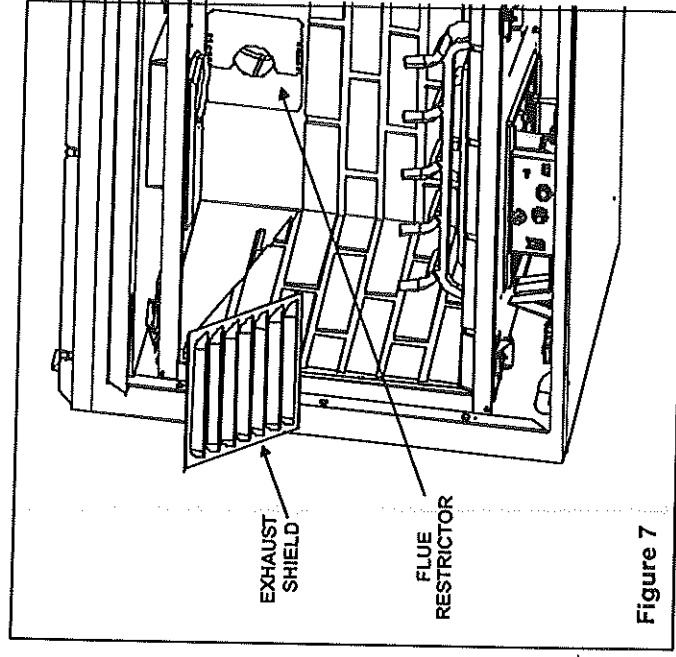


Figure 5. Vent System Components and Termination Kits

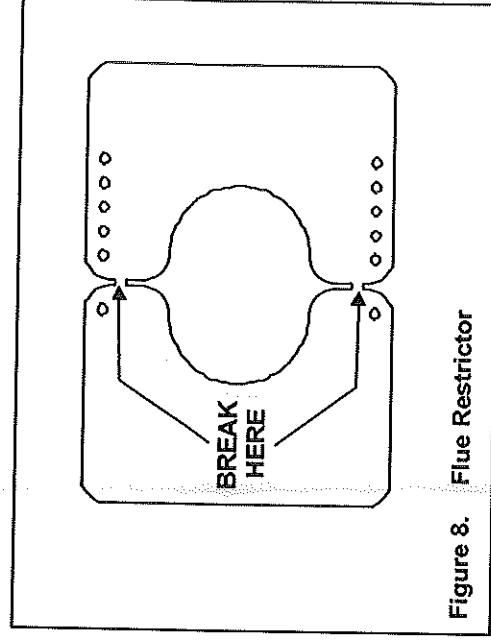


## Flue Restrictor Instructions

1. Remove Exhaust Shield using a 1/4" nut driver by removing the four screws securing it in place (see Figure 7).



2. Break the Flue Restrictor into two pieces. Do this by bending the part back and forth until it breaks (see Figure 8).



3. Match the amount of vertical you have in the system with the chart to find the appropriate position to set the Flue Restrictor (see Figure 9).

Vertical	- CHART -			
	Top Vent NG	Top Vent LP	Rear Vent NG	Rear Vent LP
4'	1-1	No Restrictor	No Restrictor	No Restrictor
8'	2-2	1-2	1-1	No Restrictor
15'	3-3	3-2	2-2	1-2
20'	3-4	3-3	3-3	2-3
25'	3-4	3-3	3-3	2-3
30'	4-4	3-4	3-4	3-3
35'	4-4	3-4	3-4	3-3
40'	5-4	4-4	4-4	3-4

Figure 9.

4. Center the Flue Restrictor on vent and secure in place by using two self-tapping screws (see Figure 10).
5. Reinstall the Exhaust Shield.

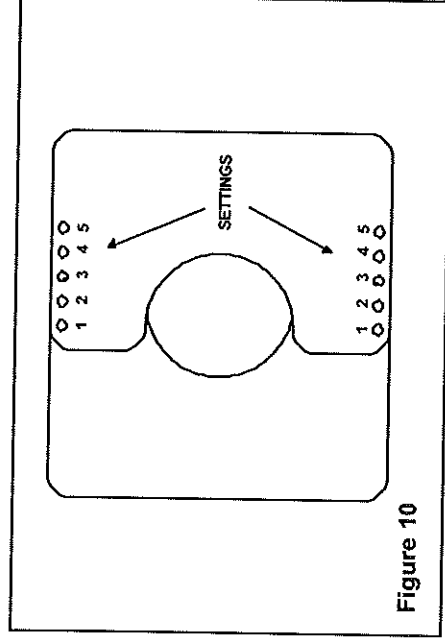
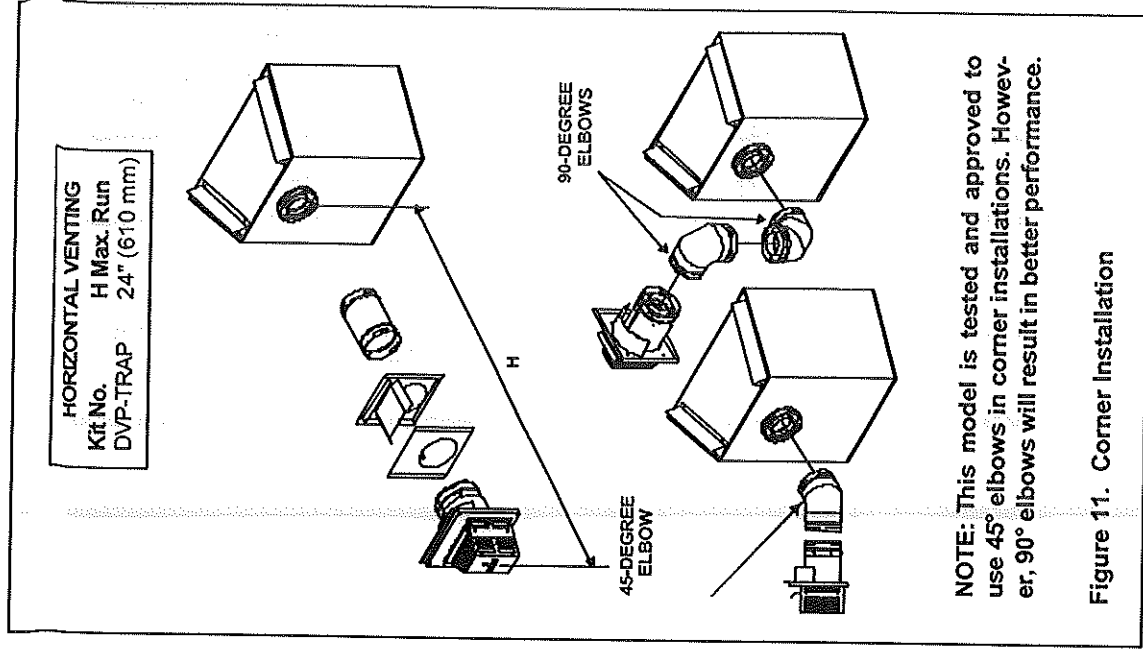


Figure 10



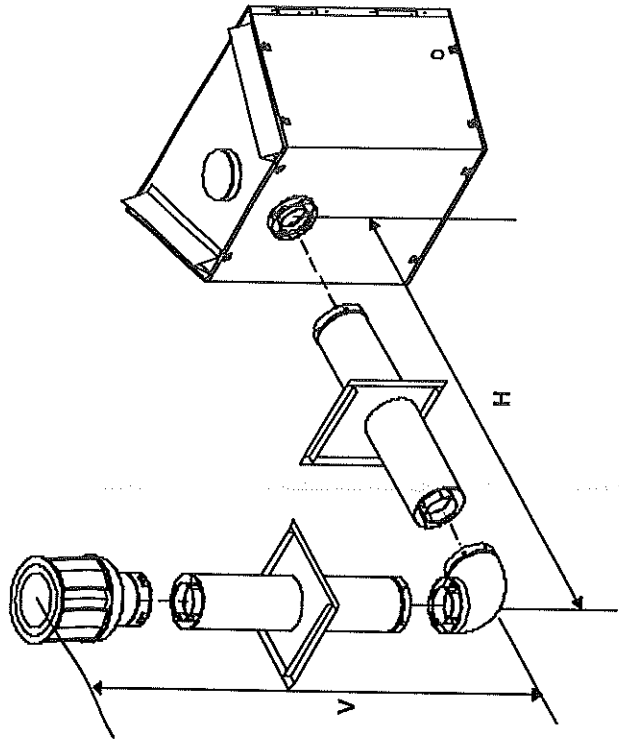
NOTE: This model is tested and approved to use 45° elbows in corner installations. However, 90° elbows will result in better performance.

Figure 11. Corner Installation

**VENTING WITH ONE (1) 90° ELBOW**

V	H
1' MIN. (305mm)	2' MAX. (610mm)
2' MIN. (610mm)	4' MAX. (1.22m)
3' MIN. (914mm)	6' MAX. (1.86m)
4' MIN. (1.22m)	8' MAX. (2.4m)
V+H=40' MAX. (12.4m) H = 8' MAX. (2.4m)	

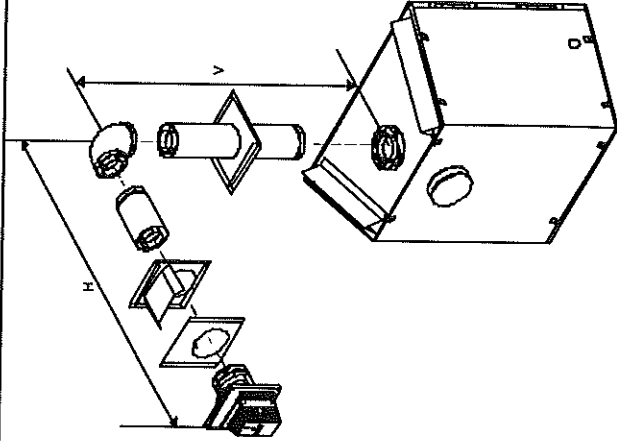
**NOTE:** On vertical venting configurations, where the vertical component is over 10 feet, install the flue restrictor included in the manual bag assembly to improve flame appearance.



**Figure 12. Venting with One 90° Elbow**

**VENTING WITH ONE (1) 90° ELBOW**

V (FT.)	H (FT.)
1' MIN. (305mm)	5' MAX. (1.52m)
2' MIN. (610mm)	10' MAX. (3.1m)
3' MIN. (914mm)	15' MAX. (4.65m)
4' MIN. (1.22m)	20' MAX. (6.2m)
V+H= 40' MAX. (12.4MM) H = 20' MAX. (6.2m)	



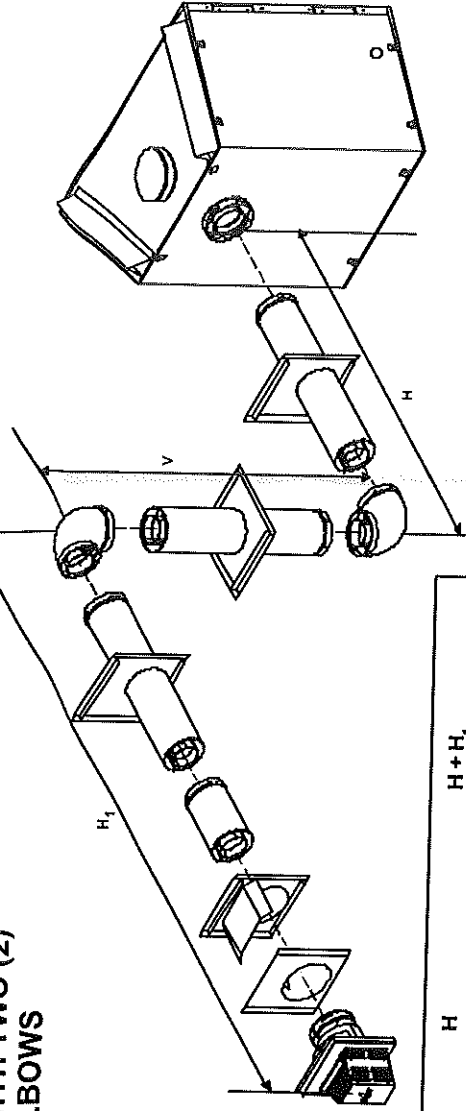
**NOTE:** For corner installations: A 6-inch (152mm) section of straight pipe may need to be attached to the fireplace before a 90° elbow, to allow the vent pipe to clear the top standoffs.

**NOTE:** If a 90° elbow is first attached to the unit, the maximum horizontal run is 3-feet (914mm). (In an LP unit the maximum horizontal run in this situation is 30 inches (762mm).)

**Figure 13. Venting with One 90° Elbow**



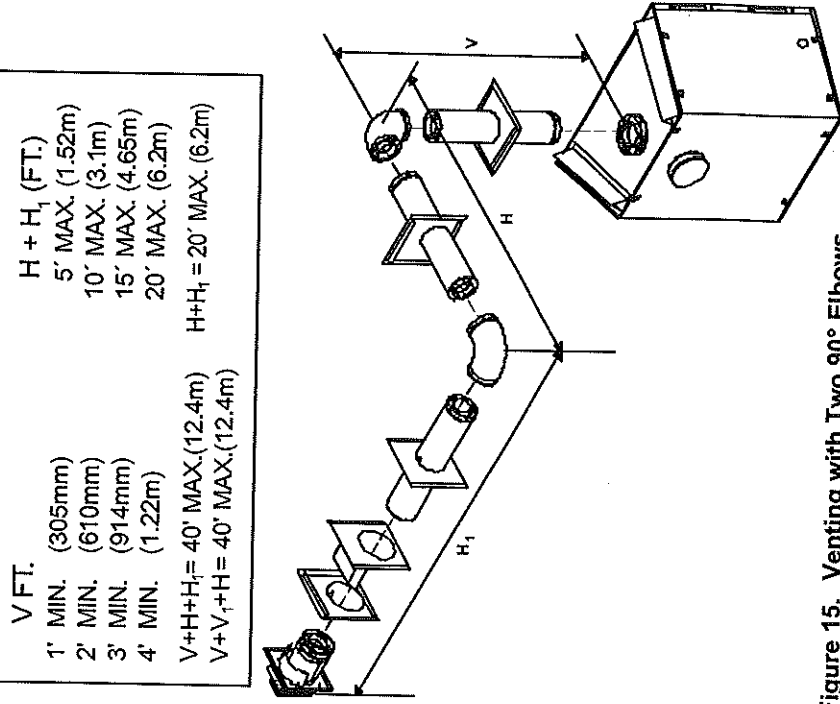
**VENTING WITH TWO (2)  
90° ELBOWS**



V	H	H + H <sub>1</sub>
1' MIN. (305 mm)	2' MAX. (610 mm)	5' MAX. (1.52m)
2' MIN. (610 mm)	4' MAX. (1.22 m)	10' MAX. (3.1m)
3' MIN. (914 mm)	6' MAX. (1.86 m)	15' MAX. (4.65m)
4' MIN. (1.22 m)	8' MAX. (2.48 m)	20' MAX. (6.2m)
V+H+H <sub>1</sub> = 40' MAX. (12.4 m)		H + H <sub>1</sub> = 20' MAX. (6.2m)
H = 8' MAX. (2.48 m)		

**Figure 14. Venting with Two 90° Elbows**

**VENTING WITH TWO (2) 90° ELBOWS**



V FT.	H + H <sub>1</sub> (FT.)
1' MIN. (305mm)	5' MAX. (1.52m)
2' MIN. (610mm)	10' MAX. (3.1m)
3' MIN. (914mm)	15' MAX. (4.65m)
4' MIN. (1.22m)	20' MAX. (6.2m)
V+H+H <sub>1</sub> = 40' MAX.(12.4m)	
V+V <sub>1</sub> +H= 40' MAX.(12.4m)	
H+H <sub>1</sub> = 20' MAX. (6.2m)	

**Figure 15. Venting with Two 90° Elbows**

**Venting with Two 90° Elbows**

V (FT)	H + H <sub>1</sub> (FT)
1' MIN. (305 mm)	2' MAX. (610 mm)
2' MIN. (610 mm)	4' MAX. (1.22 m)
3' MIN. (914 mm)	6' MAX. (1.86 m)
4' MIN. (1.22 m)	8' MAX. (2.48 m)
H + H <sub>1</sub> = 8' MAX. (2.48 m)	
V + H + H <sub>1</sub> = 40' (12.2m) MAX.	

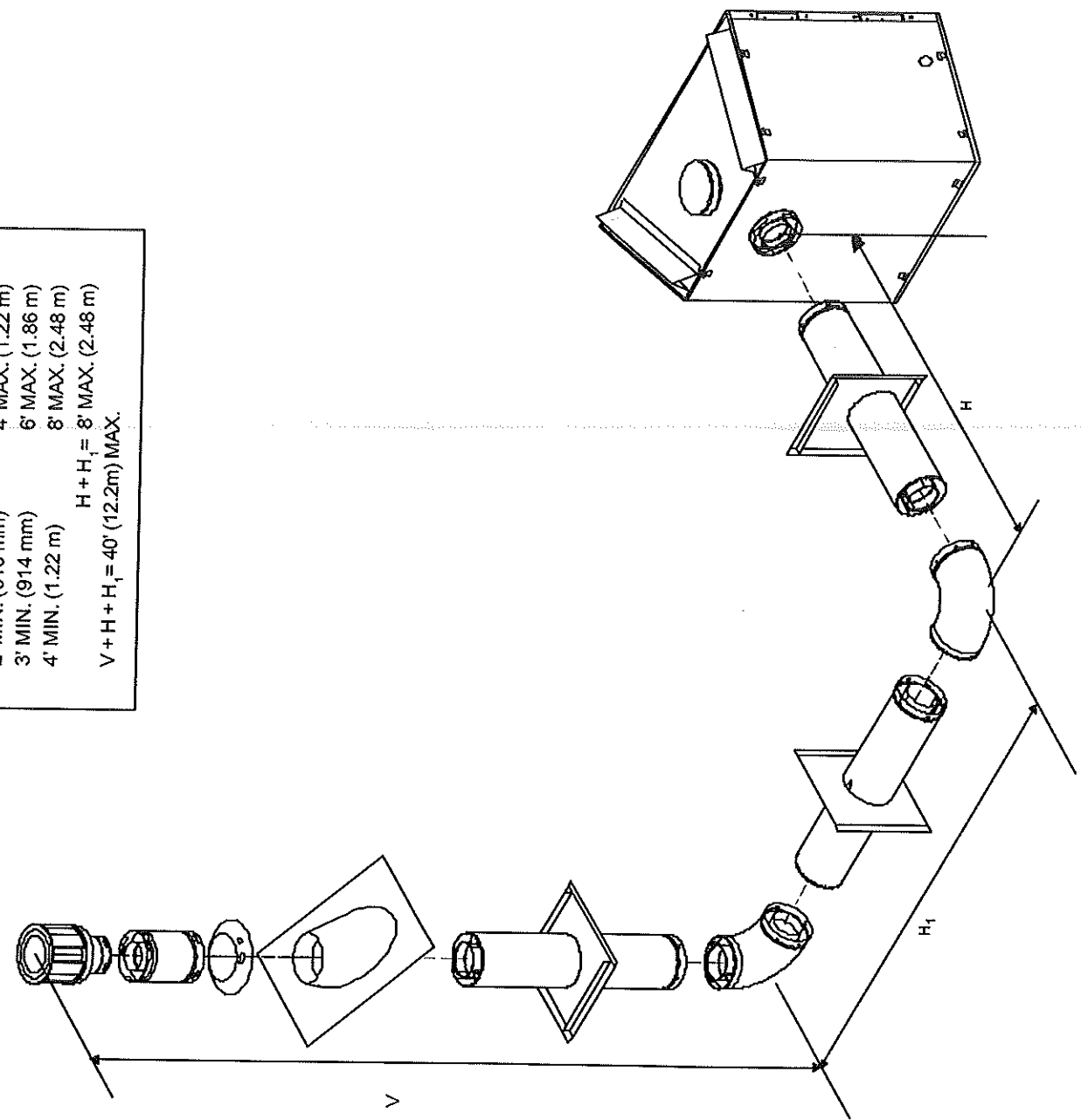
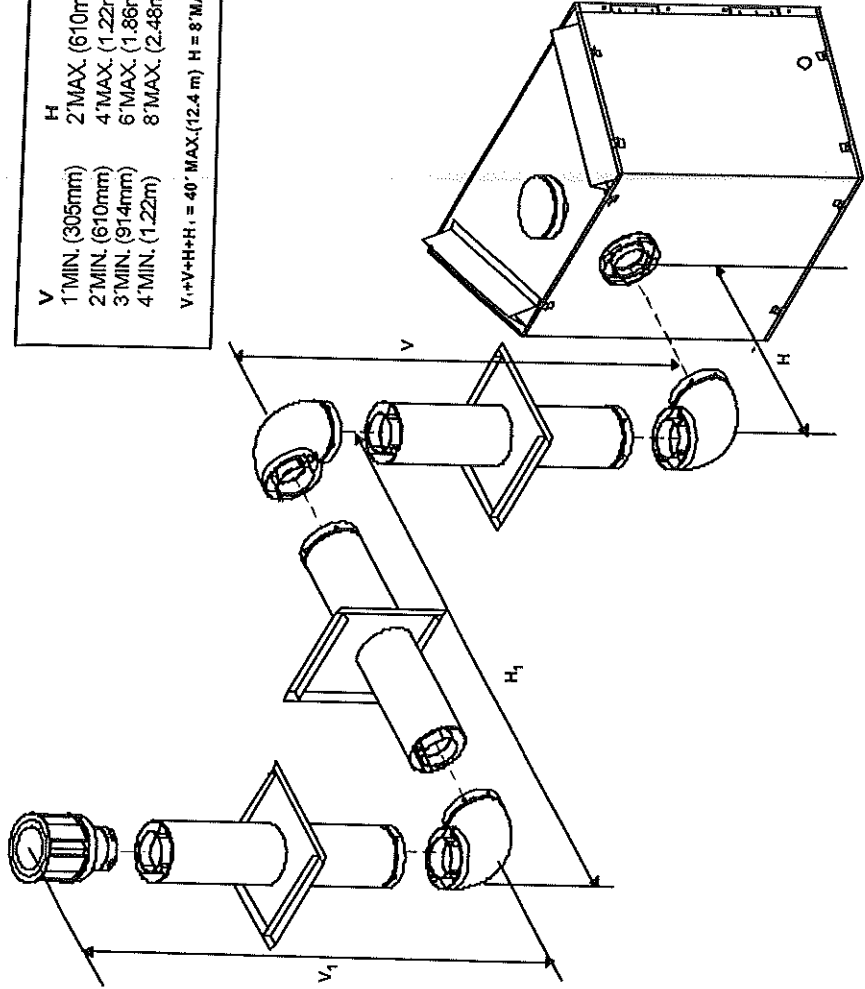


Figure 16. Venting with Two 90° Elbows

VENTING WITH THREE (3) 90° ELBOWS

V	1' MIN. (305mm)	H	2' MAX. (610mm)	H + H <sub>1</sub>	5' MAX. (1.52m)
	2' MIN. (610mm)		4' MAX. (1.22m)		10' MAX. (3.1m)
	3' MIN. (914mm)		6' MAX. (1.86m)		15' MAX. (4.65m)
	4' MIN. (1.22m)		8' MAX. (2.48m)		20' MAX. (6.2m)
V + V + H + H <sub>1</sub> = 40' MAX. (12.4 m) H = 8' MAX. (2.48 m) H + H <sub>1</sub> = 20' MAX. (6.2 m)					



V	1' MIN. (305mm)	H	2' MAX. (610mm)	H + H <sub>1</sub> + H <sub>2</sub>	5' MAX. (1.52m)
	2' MIN. (610mm)		4' MAX. (1.22m)		10' MAX. (3.1m)
	3' MIN. (914mm)		6' MAX. (1.86m)		15' MAX. (4.65m)
	4' MIN. (1.22m)		8' MAX. (2.48m)		20' MAX. (6.2m)
V + H + H <sub>1</sub> + H <sub>2</sub> = 40' MAX. (12.4 m) H = 8' MAX. (2.48 m) H + H <sub>1</sub> + H <sub>2</sub> = 20' MAX. (6.2 m)					

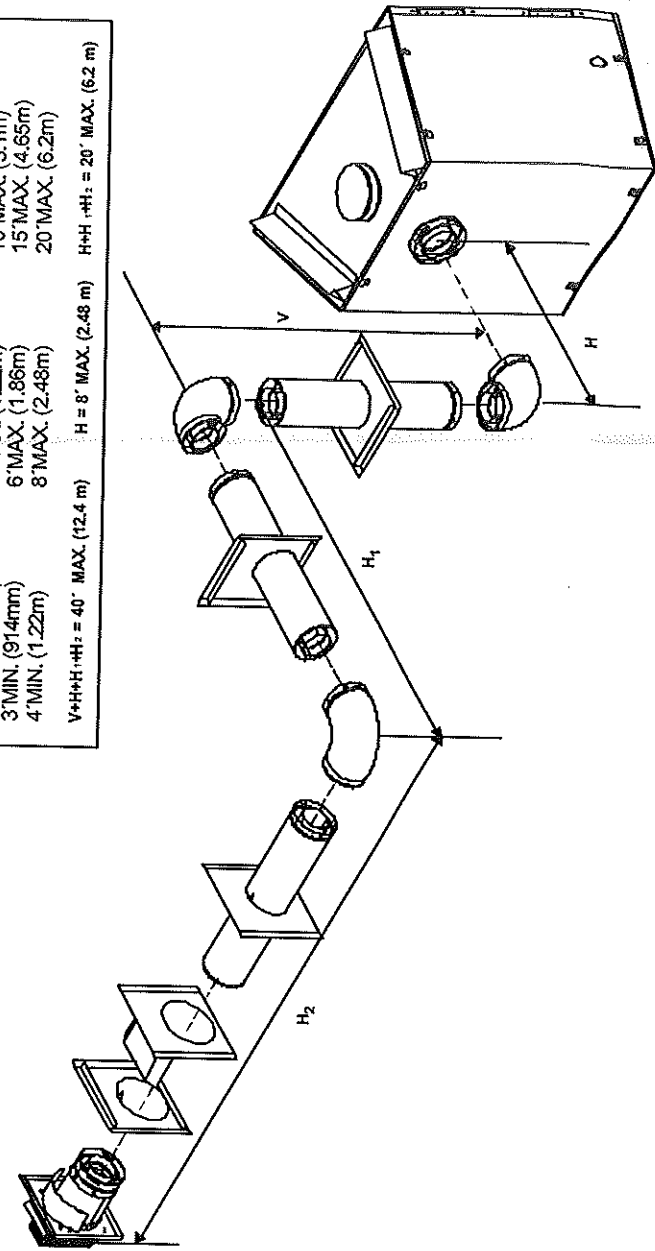
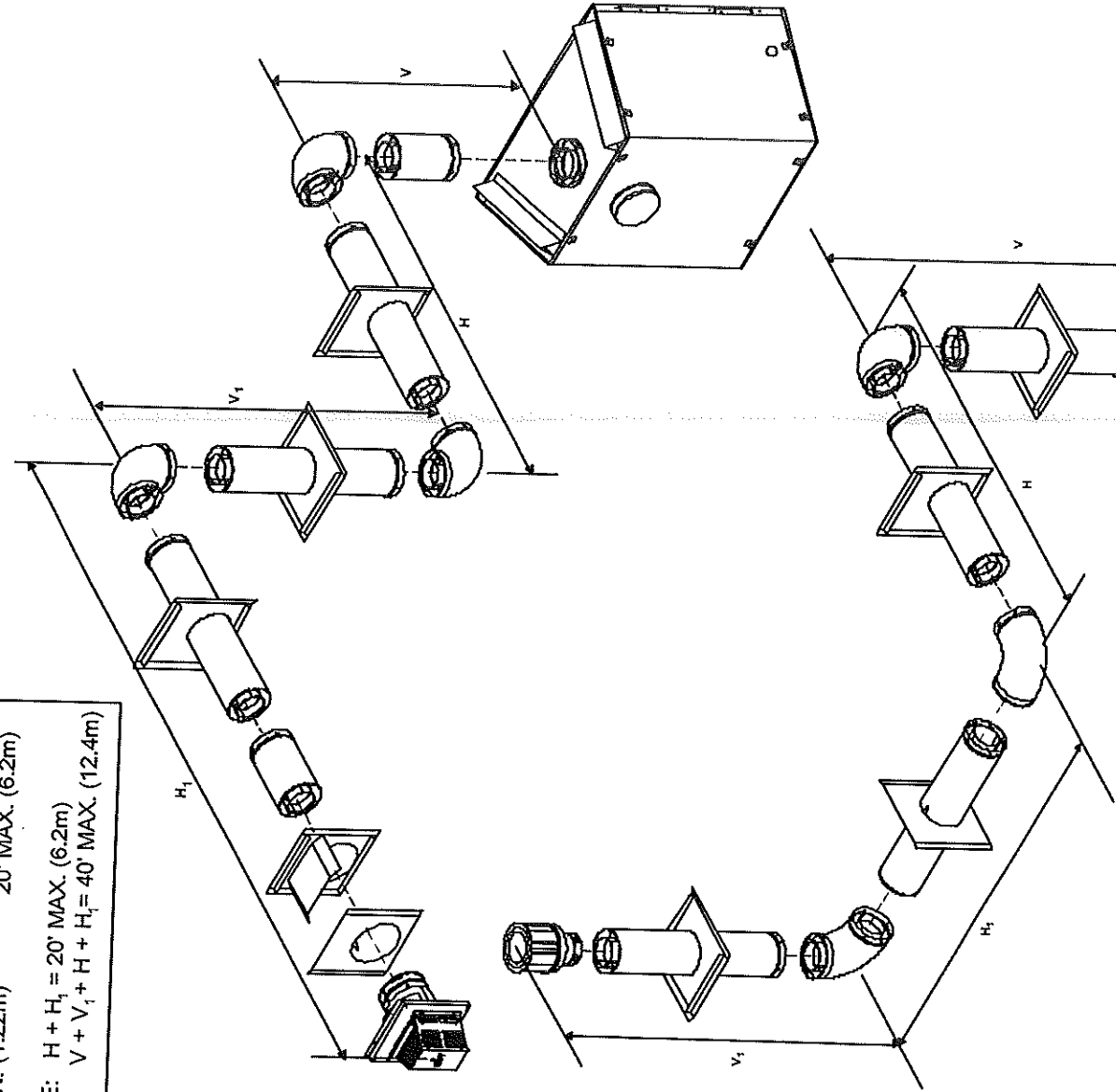


Figure 17. Venting with three 90° elbows

**VENTING WITH THREE (3) 90° ELBOWS**

<b>V (FT.)</b>	<b>H (FT.)</b>
1' MIN. (305mm)	5' MAX. (1.52m)
2' MIN. (610mm)	10' MAX. (3.1m)
3' MIN. (914mm)	15' MAX. (4.65m)
4' MIN. (1.22m)	20' MAX. (6.2m)

**NOTE:**  $H + H_1 = 20'$  MAX. (6.2m)  
 $V + V_1 + H + H_1 = 40'$  MAX. (12.4m)



<b>V + V<sub>1</sub> (FT.)</b>	<b>H + H<sub>1</sub> (FT.)</b>
1' MIN. (305mm)	5' MAX. (1.52m)
2' MIN. (610mm)	10' MAX. (3.1m)
3' MIN. (914mm)	15' MAX. (4.65m)
4' MIN. (1.22m)	20' MAX. (6.2m)

**NOTE:**  $H + H_1 = 20'$  MAX. (6.2m)  
 $V + V_1 + H + H_1 = 40'$  MAX. (12.4m)

**Figure 18. Venting with three 90° elbows**

## B. Installing Vent Components

After determining which set of starting collars will be used (top or rear), follow venting instructions accordingly.

### Venting Out the Rear Vent

Remove the installed rear seal cap from the rear starting collars by cutting the strap at each end. (see Figure 19). Follow the vent configuration tables accordingly.

Remove the insulation from the **REAR** five inch flue, pull the heat shield out from outside of the firebox.

**! WARNING: THE TOP HEAT SHIELD (INSIDE THE FIREBOX) MUST REMAIN ATTACHED IF THE VENT SYSTEM IS ATTACHED TO THE REAR STARTING COLLARS. SEE FIGURE 19.**

### Venting Out the Top Vent

Remove the two screws in the top vent collar seal cap and remove the top vent collar seal cap and two pieces of insulation inside the top two starting collars (See Figure 19).

Remove the heat shield from inside the **TOP** five inch flue from outside of the firebox.

**! WARNING: THE REAR VENT COLLAR SEAL CAP MUST REMAIN ATTACHED TO THE REAR VENT COLLARS IF THE VENT SYSTEM IS ATTACHED TO THE TOP STARTING COLLARS.**

**! WARNING: FAILURE TO REMOVE INSULATION IN THE SET OF COLLARS YOU ARE USING COULD NEGATIVELY AFFECT FIREPLACE PERFORMANCE**

**! WARNING: YOU MUST LEAVE THE INSULATION IN PLACE IN THE SET OF COLLARS YOU ARE NOT USING. FAILURE TO DO THIS COULD CAUSE A FIRE.**

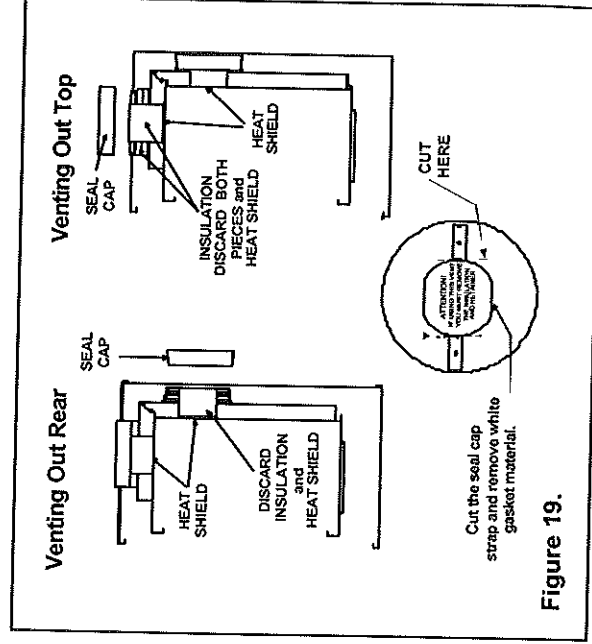


Figure 19.

## 1. Attach the First Vent Component to the Starting Collars

To attach the first vent component to the starting collars of the fireplace:

- Make sure that the fiberglass gasket supplied in the manual bag seals between the first 8 inch (203mm) vent component and the outer fireplace wrap. Using 2 self-tapping screws from the manual bag secure that gasket to the outer wrap (see Figure 20).

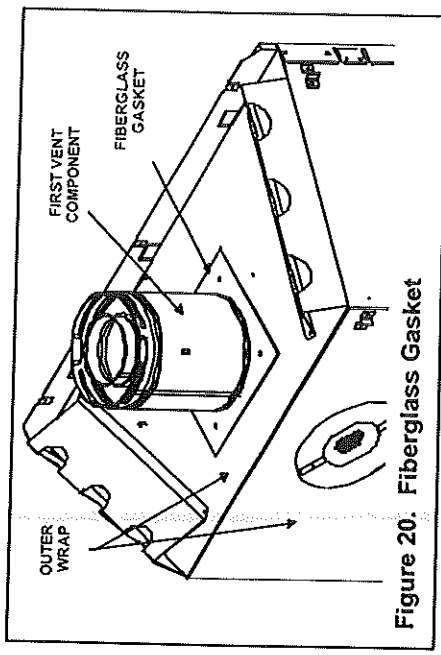


Figure 20. Fiberglass Gasket

## DVP PIPE:

### 1. Attaching the Venting to the Fireplace

Refer to Cinch Pipe and Termination Cap installation instructions.

### 2. Assembling Vent Sections

Refer to Cinch Pipe and Termination Cap installation instructions.

**! WARNING: ENSURE THAT THE FIBERGLASS GASKET SUPPLIED WITH THE FIREPLACE SEALS BETWEEN THE FIRST VENT COMPONENT AND THE OUTER FIREPLACE WRAP.**

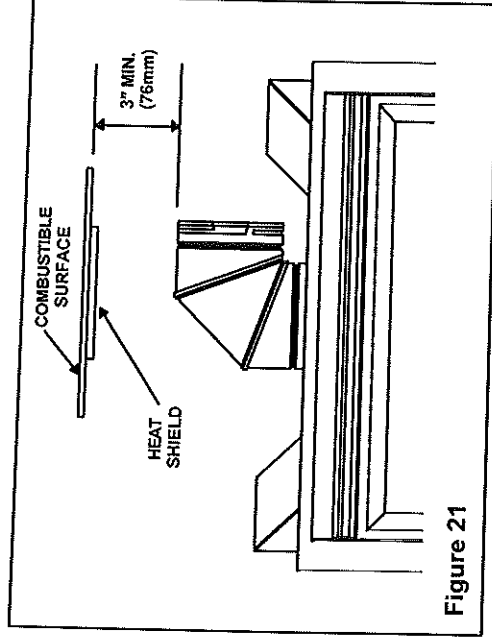
If the installation is for a termination cap attached directly to the fireplace, skip to the sections. Install Firestops and Vent Termination.

### 3. Continue Adding Vent Components

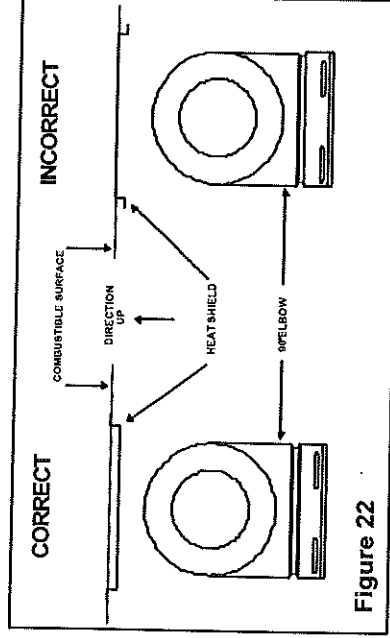
**WARNING: INSTALLATION OF THIS FIREPLACE REQUIRES THE USE OF HEAT SHIELD 570-290 ABOVE THE FIRST 90° ELBOW IN THE VENTING SYSTEM.**

#### To Install the Heat Shield:

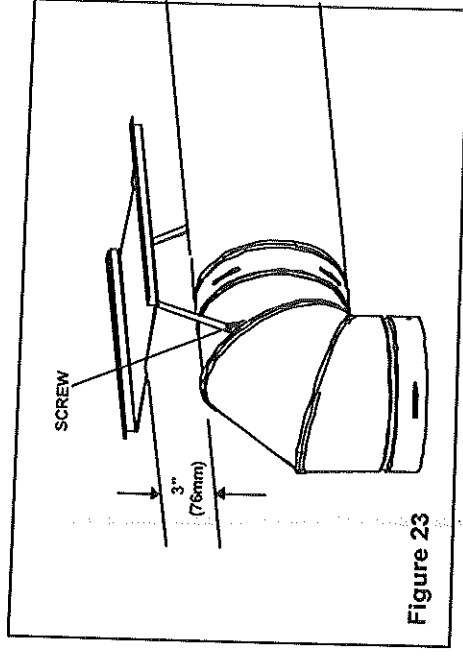
1. Determine if the heat shield is required. Do so by measuring the vertical distance between the top horizontal surface of the elbow to any combustible surface above. If the distance is more than 4 inches, the heat shield is **NOT** required. If it is 4 inches or less, the heat shield **IS REQUIRED**. Install per the following steps. See Figure 21.



2. Fasten the shield in place using the four pilot holes provided in the part. The shield should be oriented such that the 13 1/8 inch dimension (longest dimension) is running in the same direction the elbow is pointing. The shield should be centered directly above the elbow, and positioned so that it creates a 1/2 inch airspace between the shield and the combustible surface. See Figure 22.



- If the combustible materials are not in place at the time of install the elbow heat shield may be screwed to the exhaust pipe (see Figure 23). Cut the tabs as shown and bend down. Using the screws found in the manual bag secure the heat shield to the pipe maintaining 3" to 4" between the pipe and shield.



Refer to Cinch Pipe and Termination Cap installation instructions.

- Continue adding vent components, locking each succeeding component into place.
- Ensure that each succeeding vent component is securely fitted and locked into the preceding component in the vent system.
- 90° elbows may be installed and rotated to any point around the preceding component's vertical axis. If an elbow does not end up in a locked position with the preceding component, attach with a minimum of two (2) sheet metal screws.

### 4. Install Support Brackets

Refer to Cinch Pipe and Termination Cap installation instructions.

### 5. Install Firestops

**For Horizontal Runs** - Firestops are **REQUIRED** on both sides of a combustible wall through which the vent passes.

**NOTE: Model DVP-TRAP does not need an exterior firestop on an exterior combustible wall.**

To install firestops for horizontal runs that pass through either interior or exterior walls:

- Cut a 10-inch by 12-inch (254mm x 305mm) hole through the wall.

**NOTE: The center of the hole is one (1) inch (25.4mm) above the center of the horizontal vent pipe.**

- Position the firestops on both sides of the hole previously cut and secure the firestops with nails or screws.
- The heat shields of the firestops **MUST BE** placed towards the top of the hole.
- Continue the vent run through the firestops.

**NOTE: There must be NO INSULATION or other combustibles inside the framed firestop opening.**

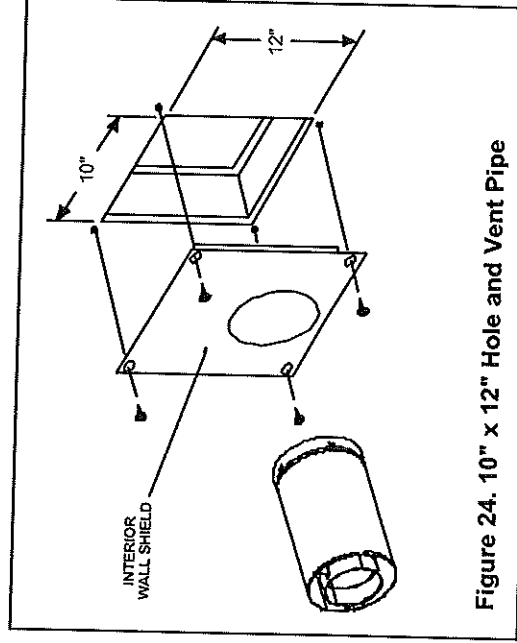


Figure 24. 10" x 12" Hole and Vent Pipe

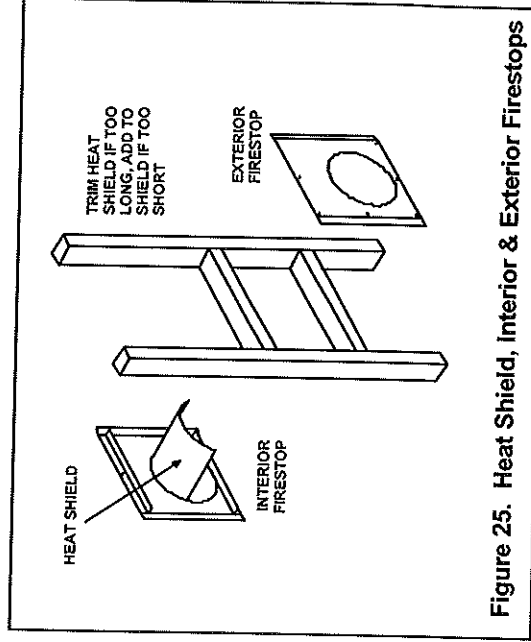


Figure 25. Heat Shield, Interior & Exterior Firestops

**For Vertical Runs** - One ceiling firestop is **REQUIRED** at the hole in each ceiling through which the vent passes.

To install firestops for vertical runs that pass through ceilings:

- Position a plumb bob directly over the center of the vertical vent component.
- Mark the ceiling to establish the centerpoint of the vent.
- Drill a hole or drive a nail through this centerpoint.
- Check the floor above for any obstructions, such as wiring or plumbing runs.
- Reposition the fireplace and vent system, if necessary, to accommodate the ceiling joists and/or obstructions.
- Cut an 10-inch x 10-inch (254mm x 254mm) hole through the ceiling, using the centerpoint previously marked.
- Frame the hole with framing lumber the same size as the ceiling joists.

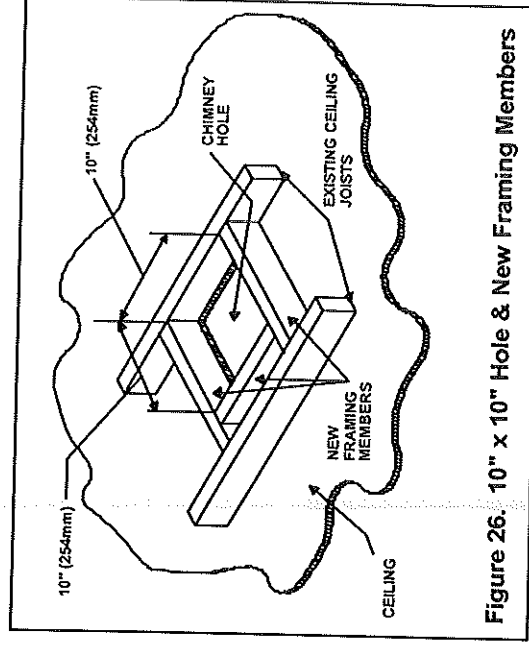
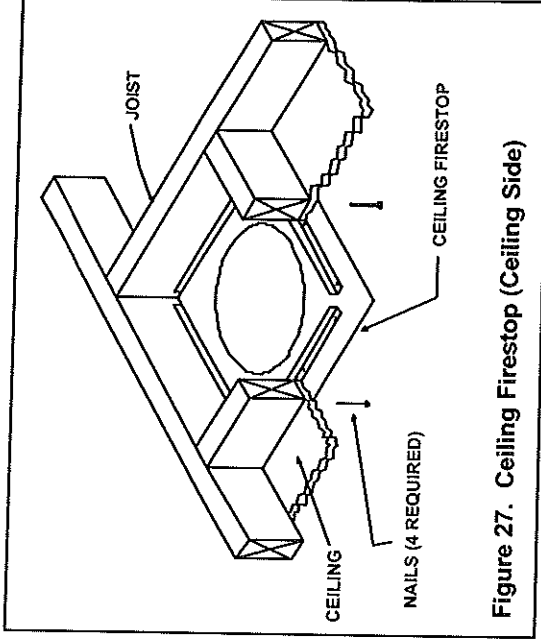


Figure 26. 10" x 10" Hole & New Framing Members

If the area above the ceiling is **NOT** an attic, position and secure the ceiling firestop on the ceiling side of the previously cut and framed hole.

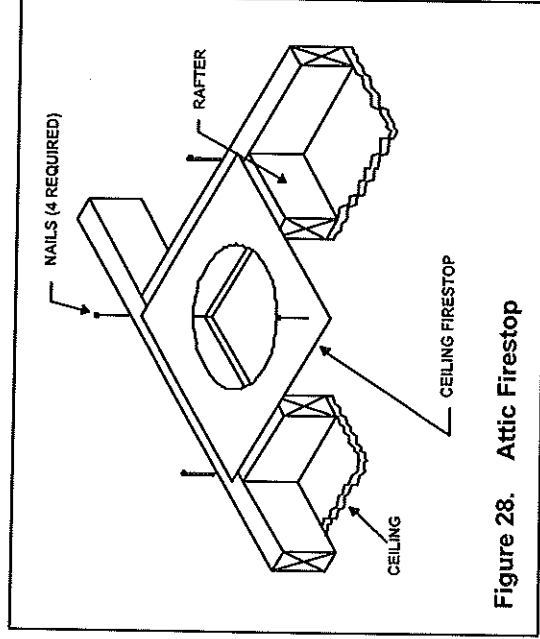
**NOTE:** There must be **NO INSULATION** or other combustibles inside the framed firestop opening.



**Figure 27. Ceiling Firestop (Ceiling Side)**

If the area above the ceiling **IS** an attic, position and secure the firestop on top of the previously framed hole.

**NOTE:** Keep insulation away from the vent pipe at least 1 inch (25mm).



**Figure 28. Attic Firestop**

## C. Vent Termination

Refer to Cinch Pipe and Termination Cap installation instructions.

### Horizontal Termination

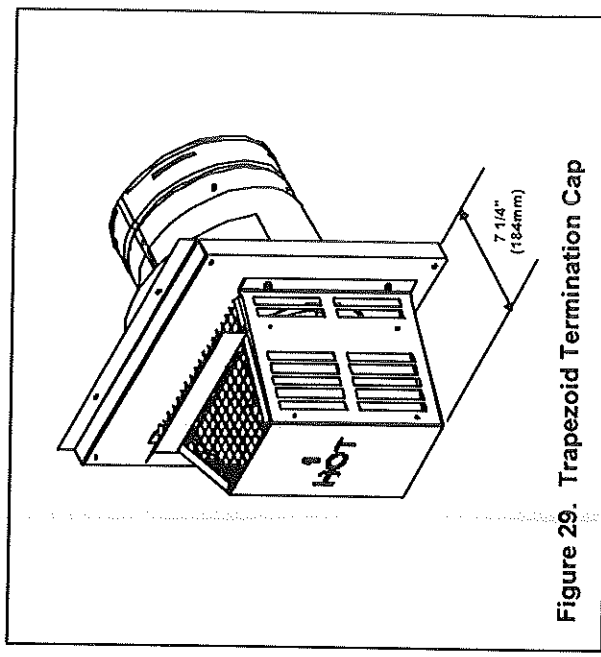
- The termination kit should pass through the wall firestops from the exterior of the building.
- Adjust the termination cap to its final exterior position on the building and interlock the flue sections.



**WARNING: THE TERMINATION CAP MUST BE POSITIONED SO THAT THE ARROW'S POINTING UP.**

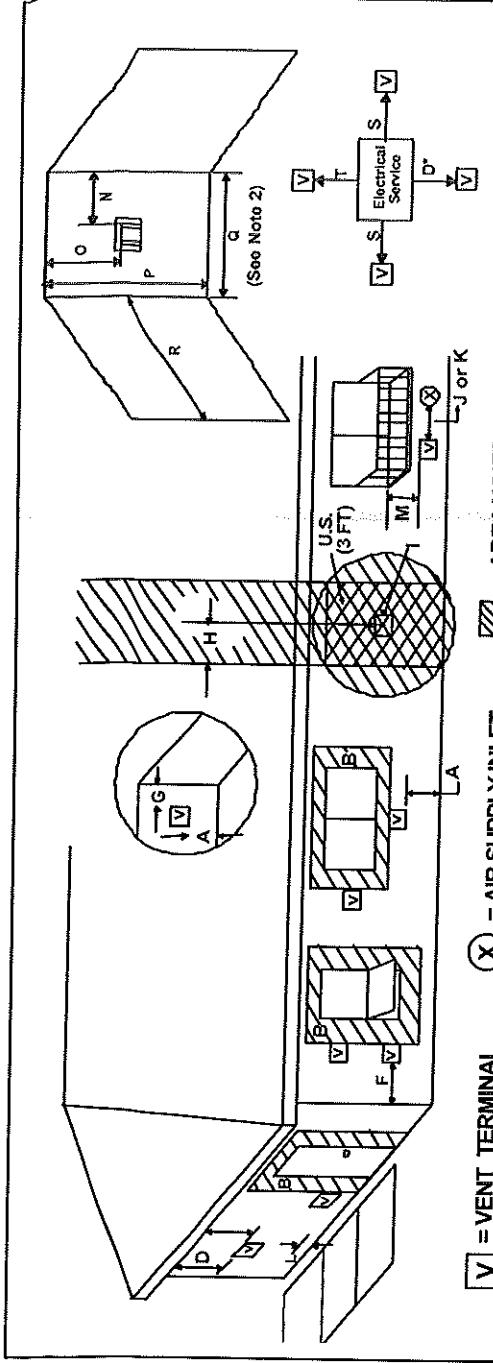


**WARNING: VENTING TERMINALS SHALL NOT BE RECESSED INTO A WALL OR SIDING. VENT TERMINATION CLEARANCES MUST BE FOLLOWED TO AVOID FIRE DANGER. SEE VENT TERMINATION MINIMUM CLEARANCES DIAGRAM ON FOLLOWING PAGE.**



**Figure 29. Trapezoid Termination Cap**





**V** = VENT TERMINAL      **X** = AIR SUPPLY INLET

**[Hatched Area]** = AREA WHERE TERMINAL IS NOT PERMITTED

- A = 12" (See Note 1) ..... clearances above grade, veranda, porch, deck or balcony
- B = 12" ..... clearances to window or door that may be opened, or to permanently closed window.
- D\* = 18" ..... vertical clearance to unventilated soffit or to ventilated soffit located above the terminal
- \*30" min. .... for vinyl clad soffits and below electrical service
- F = 9" ..... clearance to outside corner
- G = 6" ..... clearance to inside corner
- H = 3 ft. (Canada) ..... not to be installed above a gas meter/regulator assembly within 3 feet (90cm) horizontally from the center-line of the regulator
- I = 3 ft. (U.S.A.)  
6 ft. (Canada) ..... clearance to gas service regulator vent outlet
- J = 9" (U.S.A.)  
12" (Canada) ..... clearance to non-mechanical air supply inlet to building or the combustion air inlet to any other appliance

- K = 3 ft. (U.S.A.)  
6 ft. (Canada) ..... clearance to a mechanical air supply inlet
- L\*\* = 7 ft. (See Note 1) ..... clearance above paved sidewalk or a paved driveway located on public property
- M\*\*\* = 18" ..... clearance under veranda, porch, deck or balcony
- N = 6" ..... non-vinyl sidewalls  
12" ..... vinyl sidewalls
- O = 18"  
42" ..... non-vinyl soffit and overhang  
..... vinyl soffit and overhang
- P = 8 ft.

	Q <sub>MIN</sub>	R <sub>MAX</sub>
1 cap	3 feet	2 x Q <sub>ACTUAL</sub>
2 caps	6 feet	1 x Q <sub>ACTUAL</sub>
3 caps	9 feet	2/3 x Q <sub>ACTUAL</sub>
4 caps	12 feet	1/2 x Q <sub>ACTUAL</sub>
Q <sub>cap</sub> = # termination caps x 3      R <sub>MAX</sub> = (2 / # termination caps) x Q <sub>ACTUAL</sub>		

- S = 6" MIN. .... clearance from sides of electrical service (See Note 5)
- T = 12" MIN. .... clearance above electrical service (See Note 5)

\*\* a vent shall not terminate directly above a sidewalk or paved driveway which is located between two single family dwellings and serves both dwellings.

\*\*\* only permitted if veranda, porch, deck or balcony is fully open on a minimum of 2 sides beneath the floor.

**NOTE 1:** On private property where termination is less than 7 feet above a sidewalk, driveway, deck, porch, veranda or balcony, use of a listed cap shield is suggested.

**NOTE 2:** Termination in an above space (spaces open only on one side and with an overhang) are permitted with the dimensions specified for vinyl or non-vinyl siding and soffits. 1. There must be 3 feet minimum between termination caps. 2. All mechanical air intakes within 10 feet of a termination cap must be a minimum of 3 feet below the termination cap. 3. All gravity air intakes within 3 feet of a termination cap must be a minimum of 1 foot below the termination cap.

**NOTE 3:** Local codes or regulations may require different clearances.

**NOTE 4:** Termination caps may be hot. Consider their proximity to doors or other traffic areas.

**NOTE 5:** Location of the vent termination must not interfere with access to the electrical service.

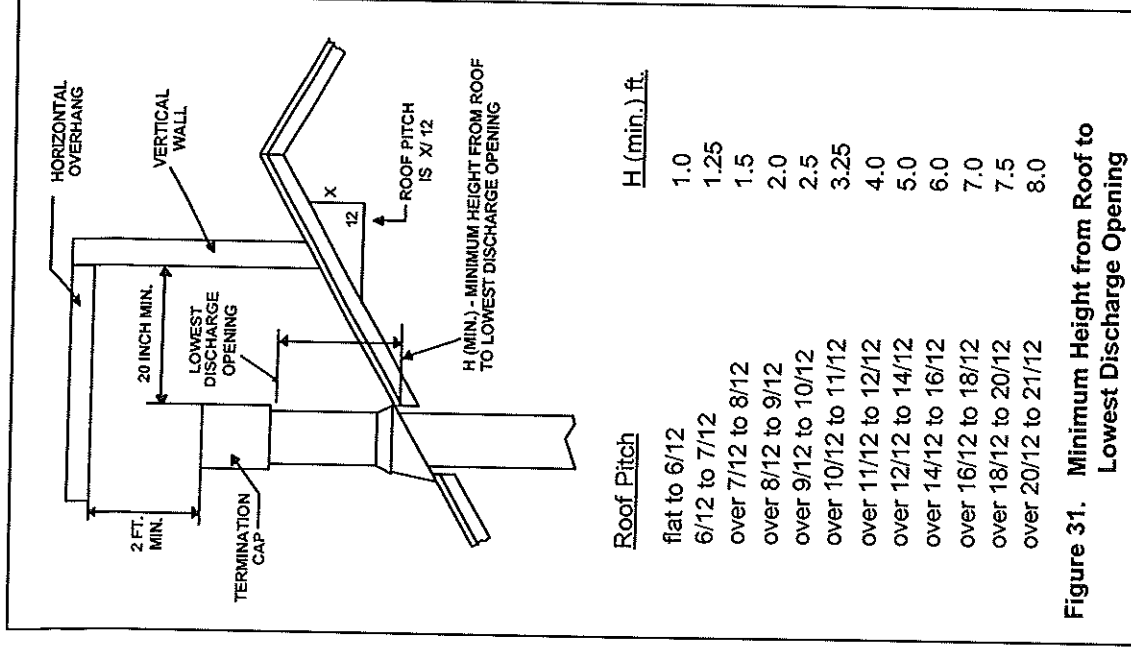
**WARNING:** In the U.S.; Vent system termination is **NOT** permitted in screened porches. You must follow side wall, overhang and ground clearances as stated in the instructions.

In Canada: Vent system termination is **NOT** permitted in screened porches. Vent system termination is permitted in porch areas with two or more sides open. You must follow all side walls, overhang and ground clearances as stated in the instructions.

Heat-N-Glo assumes no responsibility for the improper performance of the fireplace when the venting system does not meet these requirements.

**Figure 30. Vent Termination Minimum Clearances**

**CAUTION: IF EXTERIOR WALLS ARE FINISHED WITH VINYL SIDING IT IS SUGGESTED THAT A VINYL PROTECTOR KIT BE INSTALLED.**



**Figure 31. Minimum Height from Roof to Lowest Discharge Opening**

**For Vertical Terminations** - To locate the vent and install the vent sections:

- Locate and mark the vent centerpoint on the underside of the roof, and drive a nail through the centerpoint.
- Make the outline of the roof hole around the centerpoint nail.
- The size of the roof hole framing dimensions depend on the pitch of the roof. There **MUST BE** a 1-inch (25.4mm) clearance from the vertical vent pipe to combustible materials.
- Mark the roof hole accordingly.
- Cover the opening of the installed vent pipes.
- Cut and frame the roof hole.
- Use framing lumber the same size as the roof rafters and install the frame securely. Flashing anchored to the frame must withstand heavy winds.
- Continue to install concentric vent sections up through the roof hole (for inside vent installations) or up past the roof line until you reach the appropriate distance above the roof (for outside terminations).

**! WARNING: MAJOR U.S. BUILDING CODES SPECIFY MINIMUM CHIMNEY AND/OR VENT HEIGHTS ABOVE THE ROOF TOP. THESE MINIMUM HEIGHTS ARE NECESSARY IN THE INTEREST OF SAFETY. SEE FIGURE 31 FOR MINIMUM HEIGHTS, PROVIDED THE TERMINATION CAP IS AT LEAST 20 INCHES FROM A VERTICAL WALL AND 2-FEET BELOW A HORIZONTAL OVERHANG.**

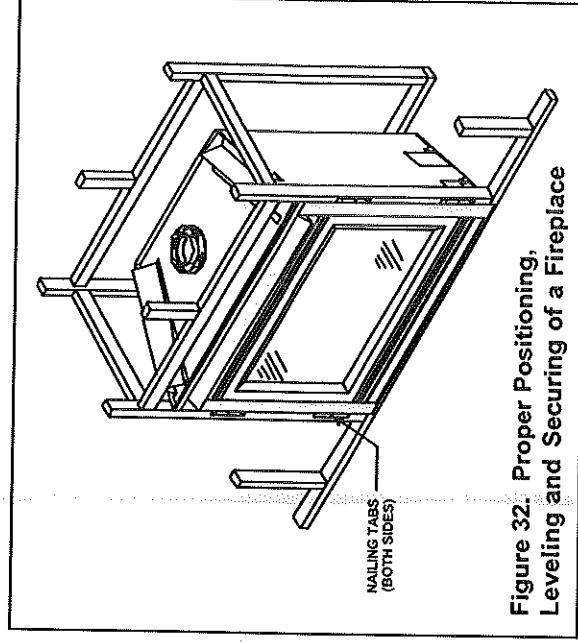
**NOTE:** This also pertains to vertical vent systems installed on the outside of the building.

To seal the roof hole, and to divert rain and snow from the vent system:

- Attach a flashing to the roof using nails, and use a non-hardening mastic around the edges of the flashing base where it meets the roof.
- Attach a storm collar over the flashing joint to form a water-tight seal. Place non-hardening mastic around the joint, between the storm collar and the vertical pipe.
- Slide the termination cap over the end of the vent pipe and snap into place.

#### Step 4. Positioning, Leveling, and Securing the Fireplace

The diagram below shows how to properly position, level, and secure the fireplace.



**Figure 32. Proper Positioning, Leveling and Securing of a Fireplace**

- Place the fireplace into position.
- Level the fireplace from side to side and front to back.
- Shim the fireplace with non-combustible material, such as sheet metal, as necessary.
- Secure the fireplace to the framing by nailing or screwing.

## Step 5. The Gas Control Systems

**⚠ WARNING: THIS UNIT IS NOT FOR USE WITH SOLID FUEL.**

Two types of gas control systems are used with these models: *Standing Pilot Ignition* and *Intermittent Pilot Ignition (IPI)*.

### Standing Pilot Ignition System

This system includes millivolt control valve, standing pilot, thermopile/thermocouple flame sensor, and piezo ignitor.

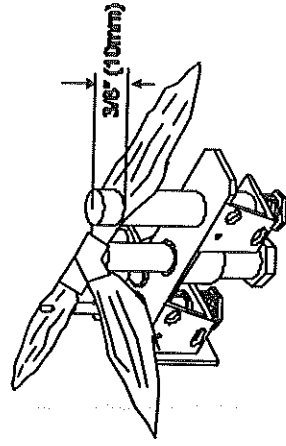
**⚠ WARNING: 110-120 VAC MUST NEVER BE CONNECTED TO A CONTROL VALVE IN A MILLIVOLT SYSTEM.**

### Intermittent Pilot Ignition (IPI) System

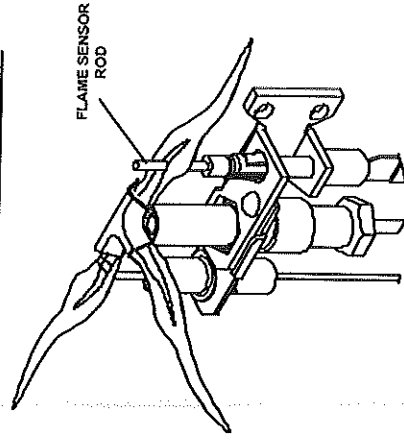
This system includes a 3V control valve, electronic module and intermittent pilot.

**⚠ WARNING: CONTINUOUS 110-120 VAC SERVICE MUST BE WIRED DIRECTLY TO THE FIRE-PLACE JUNCTION BOX.**

**STANDING PILOT**



**INTERMITTENT PILOT IGNITION**



**Figure 33. Gas Controls Systems**

## Step 6. The Gas Supply Line

**NOTE:** Have the gas supply line installed in accordance with local building codes by a qualified installer approved and/or licensed as required by the locality. (In the Commonwealth of Massachusetts installation must be performed by a licensed plumber or gas fitter).

**NOTE:** Before the first firing of the fireplace, the gas supply line should be purged of any trapped air.

**NOTE:** Consult local building codes to properly size the gas supply line leading to the 1/2 inch (13mm) hook-up at the unit.

This gas fireplace is designed to accept a 1/2 inch (13 mm) gas supply line. To install the gas supply line:

- A listed (and Commonwealth of Massachusetts approved) 1/2 inch (13mm) tee-handle manual shut-off valve and a listed flexible gas connector are connected to the 1/2 inch (13mm) inlet of the control valve. **NOTE:** If substituting for these components, please consult local codes for compliance.
- Locate the gas line access hole in the outer casing of the fireplace.
- The gas line may be run from either side of the fireplace provided the hole in the outer wrap does not exceed 2 1/2" in diameter and it does not penetrate the actual firebox.
- The gap between the supply piping and gas access hole can be plugged with non-combustible insulation to prevent cold air infiltration.
- Open the fireplace lower grille, insert the gas supply line through the gas line hole, and connect it to the shut-off valve.
- When attaching the pipe, support the control so that the lines are not bent or torn.
- After the gas line installation is complete, use a commercially available, non-corrosive leak check solution to carefully check all gas connections for leaks.

**WARNING: DO NOT USE AN OPEN FLAME TO CHECK FOR GAS LEAKS.**

- At the gas line access hole, use insulation to re-pack the space around the gas pipe.
- Insert insulation from the outside of the fireplace and pack the insulation tightly to totally seal between the pipe and the outer casing.

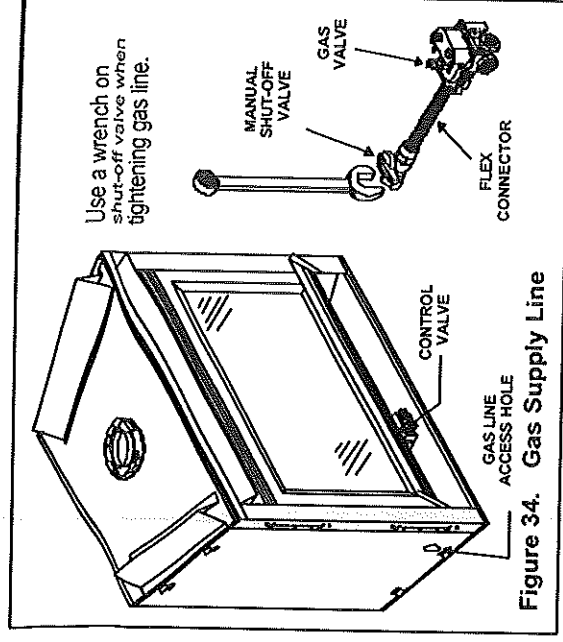


Figure 34. Gas Supply Line

## Step 7. Gas Pressure Requirements

Pressure requirements for Heat-N-Glo gas fireplaces are shown in the table below.

Pressure	Natural Gas	Propane
Minimum Inlet Pressure	5.0 inches w.c.	11.0 inches w.c.
Maximum Inlet Gas Pressure	14.0 inches w.c.	14.0 inches w.c.
Manifold Pressure	3.5 inches w.c.	10.0 inches w.c.

A one-eighth (1/8) inch (3 mm) N.P.T. plugged tapping is provided on the inlet and outlet side of the gas control for a test gauge connection to measure the manifold pressure. Use a small flat blade screwdriver to crack open the screw in the center of the tap. Position a rubber hose over the tap to obtain the pressure reading.

The fireplace and its individual shut-off valve must be disconnected from the gas supply piping system during any pressure testing of the system at test pressures in excess of one-half (1/2) psig (3.5 kPa).

The fireplace must be isolated from the gas supply piping system by closing its individual shut-off valve during any pressure testing of the gas supply piping system at test pressures equal to or less than one-half (1/2) psig (3.5 kPa).

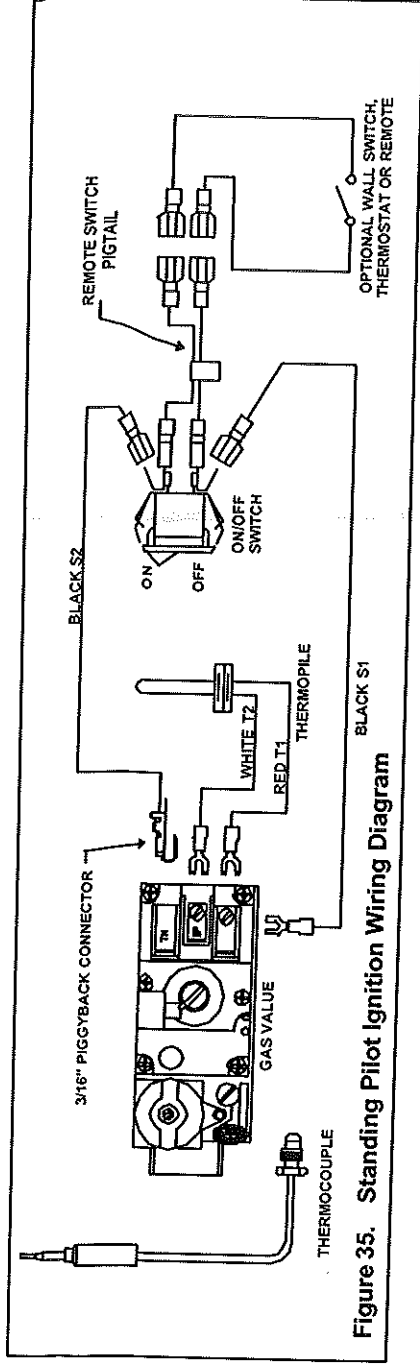


Figure 35. Standing Pilot Ignition Wiring Diagram

### Step 8. Wiring the Fireplace

**NOTE:** Electrical wiring must be installed by a licensed electrician.

**CAUTION: DISCONNECT REMOTE CONTROLS IF ABSENT FOR EXTENDED TIME PERIODS. THIS WILL PREVENT ACCIDENTAL FIREPLACE OPERATION.**

### For Standing Pilot Ignition Wiring

#### Appliance Requirements

- This appliance **DOES NOT** require 110-120 VAC to operate.

**⚠ WARNING: DO NOT CONNECT 110-120 VAC TO THE GAS CONTROL VALVE OR THE APPLIANCE WILL MALFUNCTION AND THE VALVE WILL BE DESTROYED.**

#### Optional Accessories

Optional fan and remote control kits require that 110-120 VAC be wired to the factory installed junction box before the fireplace is permanently installed.

#### Wall Switch

Position the wall switch in the desired position on a wall. Run a maximum of 25 feet (7.8 m) or less length of 18 A.W.G. minimum wire and connect it to the fireplace ON/OFF switch pigtails.

**⚠ WARNING: DO NOT CONNECT 110-120 VAC TO THE WALL SWITCH OR THE CONTROL VALVE WILL BE DESTROYED.**

**CAUTION: LABEL ALL WIRES PRIOR TO DISCONNECTION WHEN SERVICING CONTROLS. WIRING ERRORS CAN CAUSE IMPROPER AND DANGEROUS OPERATION. VERIFY PROPER OPERATION AFTER SERVICING.**

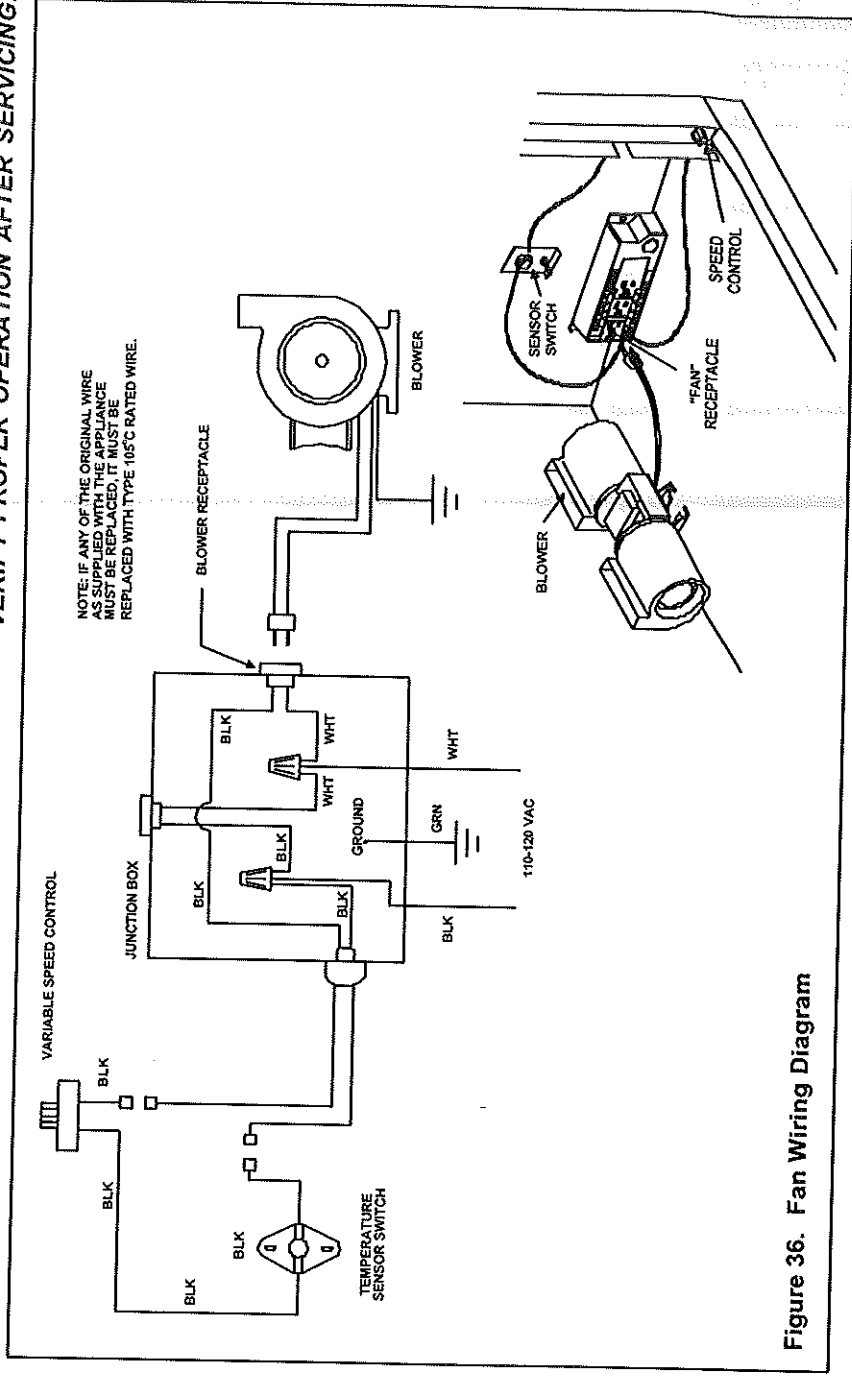
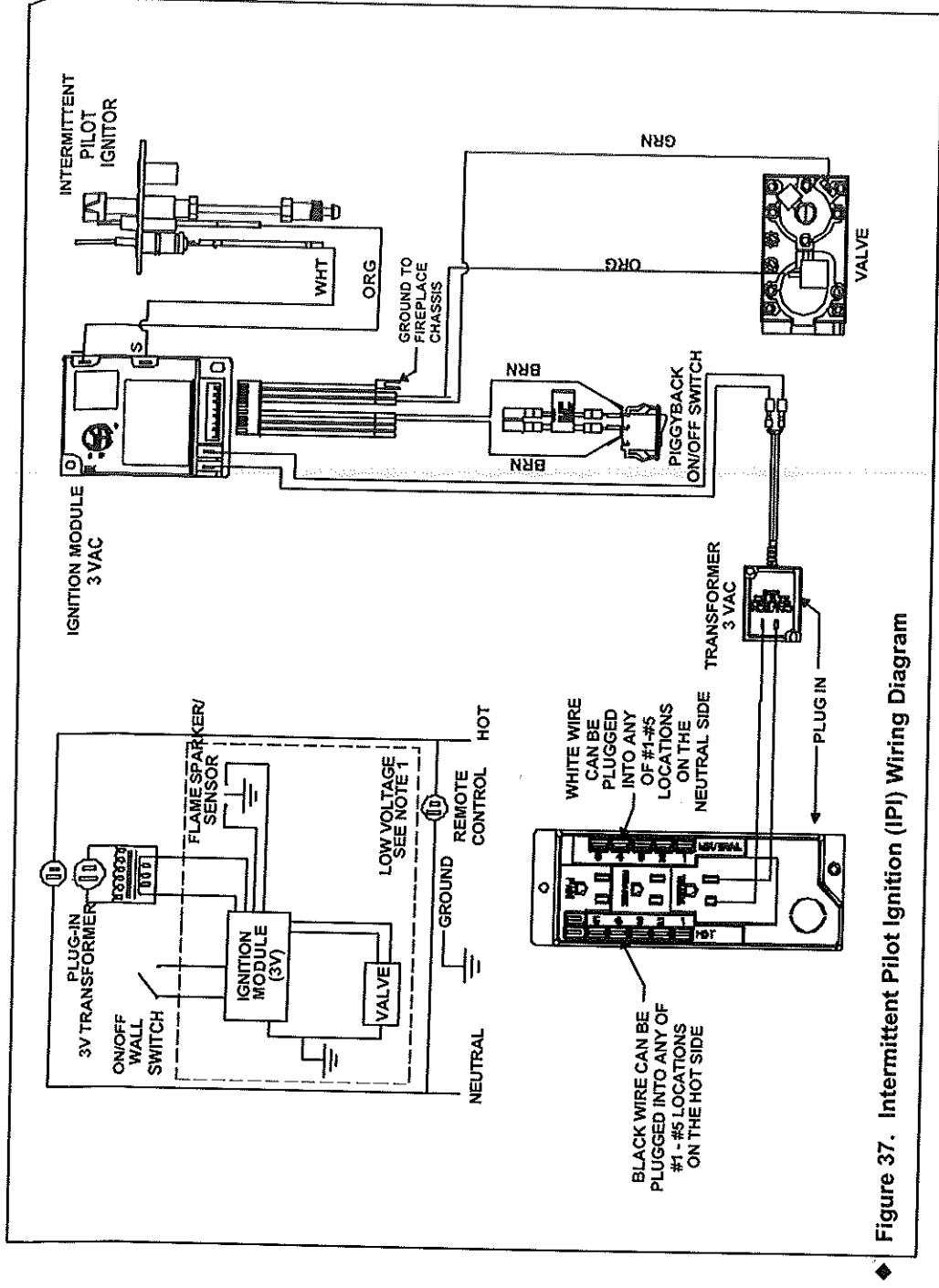


Figure 36. Fan Wiring Diagram



◆ Figure 37. Intermittent Pilot Ignition (IPI) Wiring Diagram

### Intermittent Pilot Ignition (IPI) Wiring

#### 3 Volt Transformer

This appliance comes with a 3 volt transformer found in the manual bag. Plug the transformer leads to the green control module (see Figure 37). Then plug the transformer into the side outlet on the junction box.

#### Appliance Requirements

This appliance requires that 110-120 VAC be wired to the factory installed junction box. Maintain correct polarity when wiring the junction box.

**⚠ WARNING: DO NOT CONNECT 110-120 VAC TO THE GAS CONTROL VALVE OR THE APPLIANCE WILL MALFUNCTION AND THE VALVE WILL BE DESTROYED.**

#### Operation using Battery Power

This fireplace has an optional battery operation. The system is fully functional with the use of two "D" size batteries without ordinary 110-120 VAC power.

Wiring to the battery pack should be left disconnected in order to conserve battery life. In the case of a loss of power, simply connect red and black wire leads to activate battery

power (connect red to red, black to black). The fireplace can be used as necessary. Once power (110 VAC) is restored, disconnect red and black wire leads to extend battery life.

#### Optional Accessories

Optional remote control kits require that 110-120 VAC be wired to the factory installed junction box before the fireplace is permanently installed.

#### Wall Switch

Position the wall switch in the desired position on a wall. Run a maximum of 25 feet (7.8 m) or less length of 18 A.W.G. minimum wire and connect it to the fireplace ON/OFF switch pigtails.

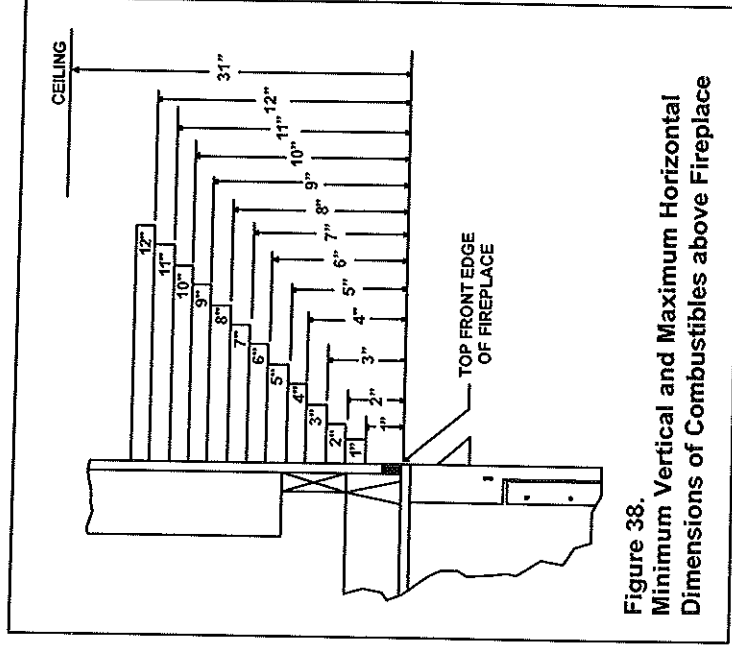
**⚠ WARNING: DO NOT CONNECT 110-120 VAC TO THE WALL SWITCH OR THE CONTROL VALVE WILL BE DESTROYED.**

**CAUTION: LABEL ALL WIRES PRIOR TO DISCONNECTING WHEN SERVICING CONTROLS. WIRING ERRORS CAN CAUSE IMPROPER AND DANGEROUS OPERATION. VERIFY PROPER OPERATION AFTER SERVICING.**

### Step 9. Finishing

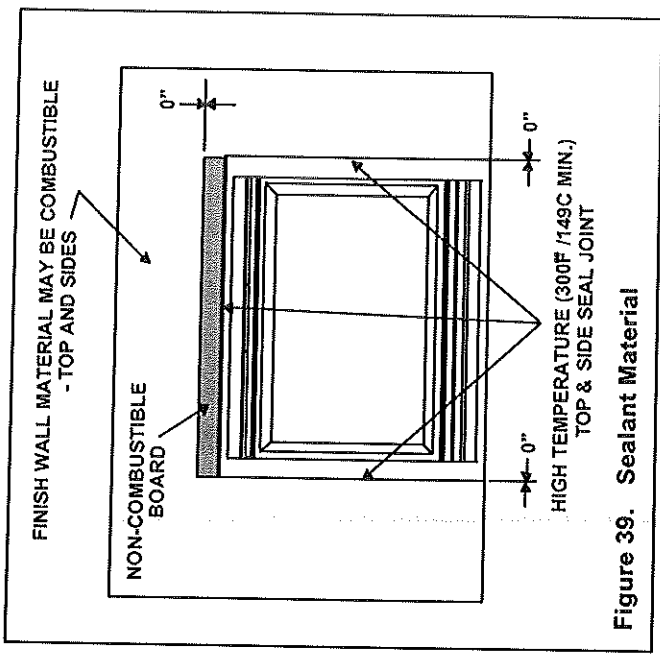
Figure 38 shows the minimum vertical and corresponding maximum horizontal dimensions of fireplace mantels or other combustible projections above the top front edge of the fireplace. See Figures 2 and 3 for other fireplace clearances. Only non-combustible materials may be used to cover the black fireplace front.

**WARNING: WHEN FINISHING THE FIREPLACE, NEVER OBSTRUCT OR MODIFY THE AIR INLET/OUTLET GRILLES IN ANY MANNER.**



**Figure 38.**  
Minimum Vertical and Maximum Horizontal  
Dimensions of Combustibles above Fireplace

**CAUTION: IF JOINTS BETWEEN THE FINISHED WALLS AND THE FIREPLACE SURROUND (TOP AND SIDES) ARE SEALED, A 300° F. MINIMUM SEALANT MATERIAL MUST BE USED. THESE JOINTS ARE NOT REQUIRED TO BE SEALED. ONLY NON-COMBUSTIBLE MATERIAL (USING 300° F. MINIMUM ADHESIVE, IF NEEDED) CAN BE APPLIED AS FACING TO THE FIREPLACE SURROUND. SEE THE DIAGRAM BELOW.**



**Figure 39.** Sealant Material

### Hearth Extensions

A hearth extension may be desirable for aesthetic reasons. However, ANSI or CAN/CGA testing standards do not require hearth extensions for gas fireplace appliances.

## Step 10. Installing Trim, Logs, and Ember Material

### Installing the Trim

Combustible materials may be brought up to the specified clearances on the side and top front edges of the fireplace, but **MUST NEVER** overlap onto the front face. The joints between the finished wall and the fireplace top and sides can only be sealed with a 300° F. (149° C) minimum sealant.

**! WARNING: WHEN FINISHING THE FIREPLACE, NEVER OBSTRUCT OR MODIFY THE AIR INLET/OUTLET GRILLES IN ANY MANNER.**

Install optional marble and brass trim surround kits as desired. Marble, brass, brick, tile, or other non-combustible materials can be used to cover up the gap between the finish wall material (usually sheetrock or wood) and the fireplace.

Do not obstruct or modify the air inlet/outlet grilles. When overlapping on both sides, leave enough space so that the bottom grille can be lowered and the trim door removed.

### Positioning the Logs

If the gas logs have been factory installed they should not need to be positioned. If the logs have been packaged separately, refer to the instructions that accompany the logs. **Save the log instructions with this manual.**

If sooting occurs, the logs might need to be repositioned slightly to avoid excessive flame impingement.

### Shutter Settings

	NG	LP
Burner	3/8"	5/8"

### Placing the Ember Material

Ember material is shipped with this gas fireplace. To place the ember material:

- Pull the four glass latches off of the tabs on the glass frame. Remove glass door from the unit (see Figure 40).
- Embers **CANNOT** be placed directly over ports. Care should be taken not to cover the lighting trail of ports (from back to front).
- When placing Glowing embers onto the burner care should be taken so that the ports are not covered. Place the embers along side the port trail, but not on or in between the ports. Failure to follow this procedure will likely cause lighting and sooting problems.
- Save the remaining ember materials for use during fireplace servicing.
- Replace the glass door and a front trim door on the unit.
- Pull out and latch the glass clips onto the tabs on the glass frame.

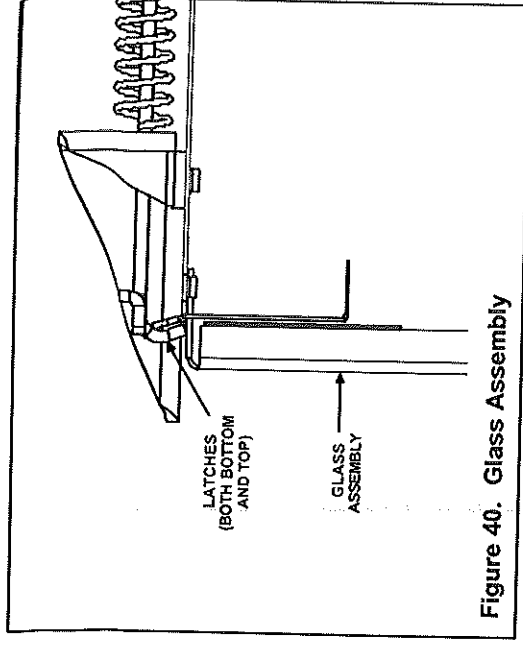


Figure 40. Glass Assembly

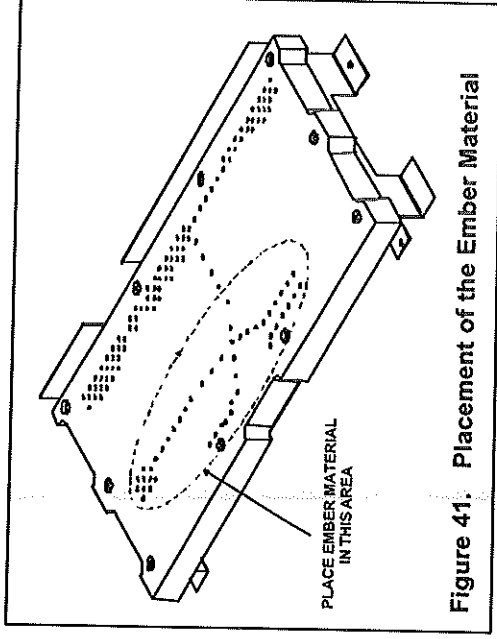


Figure 41. Placement of the Ember Material



### Glass Specifications:

#### 8000TRD: TEMPERED

Heat-N-Glo fireplaces manufactured with tempered glass may be installed in hazardous locations such as bathtub enclosures as defined by the CPSC. The tempered glass has been tested and certified to the requirements of ANSI Z97.1-1984 and CPSC 16 CFR 1202. (Safety Glazing Certification Council SGCC # 1595 and 1597. Architectural Testing, Inc. Reports 02-31919.01 and 02-31917.01.)

This statement is in compliance with SPCS 16 CFR Section 1201.5 "Certification and labeling requirements" which refers to 15 USC 2063 stating "...Such certificate shall accompany the product or shall otherwise be furnished to any distributor or retailer to whom the product is delivered."

Some local building codes require the use of tempered glass with permanent marking in such locations. Glass meeting this requirement is available from the factory. Please contact your dealer or distributor to order.

### Step 11. Before Lighting the Fireplace

Before lighting the fireplace, be sure to do the following:

**Remove all paperwork from underneath the fireplace.**

**Review safety warnings and cautions**

- Read the **Safety and Warning Information** section at the beginning of this *Installers Guide*.

**Double-check for gas leaks**

- Before lighting the fireplace, double-check the unit for possible gas leaks.

**Double-check vent terminations and front grilles for obstructions.**

- Before lighting the fireplace, double-check the unit for possible obstructions that could be blocking the vent terminations or the front grilles.

### Double-check for faulty components

- Any component that is found to be faulty **MUST BE** replaced with an approved component. Tampering with the fireplace components is **DANGEROUS** and voids all warranties.

A small amount of air will be in the gas supply lines. When first lighting the fireplace, it will take a few minutes for the lines to purge themselves of this air. Once the purging is complete, the fireplace will light and will operate normally.

Subsequent lightings of the fireplace will not require this purging of air from the gas supply lines, **unless the gas valve has been turned to the OFF position**, in which case the air would have to be purged.

**NOTE:** The fireplace should be run 3 to 4 hours on the initial start-up. Turn it off and let it cool completely. Remove and clean the glass. Replace the glass and run the fireplace for an additional 8 hours. This will help to cure the products used in the paint and logs.

During this break-in period it is recommended that some windows in the house be opened for air circulation. This will help avoid setting off smoke detectors, and help eliminate any odors associated with the fireplace's initial burning.

### Step 12. Lighting the Fireplace

You've reviewed all safety warnings, you've checked the fireplace for gas leaks, you know the vent system is unobstructed, and you've checked for faulty components. Now you're ready to light the fireplace.

 **WARNING: PLEASE REFER TO THE USER'S MANUAL FOR ALL CAUTIONS, SAFETY, AND WARNING INFORMATION PERTAINING TO THE LIGHTING AND OPERATION OF THE FIREPLACE.**

### After the Installation

 **LEAVE THIS INSTALLATION MANUAL WITH THE APPLIANCE FOR FUTURE REFERENCE.**

# 4 Maintaining and Servicing Your Fireplace

## Fireplace Maintenance

Although the frequency of your fireplace servicing and maintenance will depend on use and the type of installation, you should have a qualified service technician perform an appliance check-up at the beginning of each heating season. See the table below for specific guidelines regarding each fireplace maintenance task.

### **IMPORTANT: TURN OFF THE GAS BEFORE SERVICING YOUR FIREPLACE.**

#### Replacing old ember material

**Frequency:** Once annually, during the checkup.

**By:** Qualified service technician.

**Task:** Brush away loose ember material near the burner. Replace old ember material. New ember material should be placed alternately on top of the burner. Save the remaining ember material and repeat this procedure at your next servicing. For more information, see **Placing Ember Material**.

#### Cleaning Burner and Controls

**Frequency:** Once annually.

**By:** Qualified service technician.

**Task:** Brush or vacuum the control compartment, fireplace logs and burner areas surrounding the logs.

#### Cleaning Flame Sensor Rod (IPI Systems)

**Frequency:** Annually.

**By:** Qualified service technician.

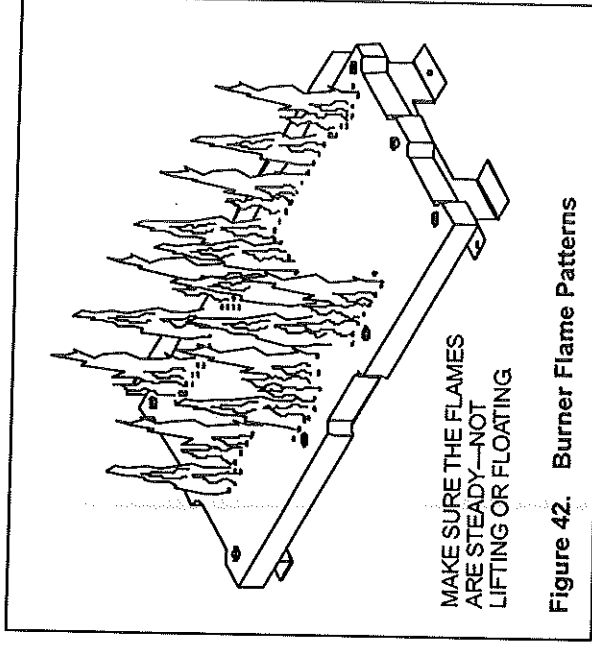
**Task:** Make a visual check of the straight flame sensor rod (see Figure 33). Use emery cloth to carefully remove any existing film or white deposits.

#### Checking Flame Patterns, Flame Height

**Frequency:** Periodically.

**By:** Qualified service technician/Home owner.

**Task:** Make a visual check of your fireplace's flame patterns. Make sure the flames are steady - not lifting or floating. See Figure 33. The flame sensor (IPI) or thermopile/thermocouple (standing pilot) tips should be covered with flame. See Figure 42.



#### Checking Vent System

**Frequency:** Before initial use and at least annually thereafter, more frequently if possible.

**By:** Qualified service technician/Home owner.

**Task:** Inspect the external vent cap on a regular basis to ensure that no debris is interfering with the flow of air. Inspect entire vent system for proper function.

#### Cleaning Glass Door

**Frequency:** After the first 3 to 4 hours of use. As necessary after initial cleaning.

**By:** Home owner.

**Task:** Remove and clean glass after the first 3 to 4 hours of use. After the initial cleaning, clean as necessary, particularly after adding new ember (flame colorant) material. Film deposits on the inside of the glass door should be cleaned off using a household glass cleaner. **NOTE: DO NOT handle or attempt to clean the door when it is hot and DO NOT use abrasive cleaners.**



**CITY OF PORTLAND, MAINE**  
Department of Building Inspections

Received from \_\_\_\_\_  
\_\_\_\_\_ 20\_\_

Location of Work \_\_\_\_\_

Cost of Construction \$ \_\_\_\_\_

Permit Fee \$ \_\_\_\_\_

Building (I), (II), Plumbing (I3) \_\_\_\_\_ Electrical (I2) \_\_\_\_\_ Site Plan (U2) \_\_\_\_\_

Other \_\_\_\_\_

CBL: \_\_\_\_\_

Check #: \_\_\_\_\_  
Total Collected \$ 6000

**THIS IS NOT A PERMIT**

No work is to be started until PERMIT CARD is actually posted upon the premises. Acceptance of fee is no guarantee that permit will be granted. PRESERVE THIS RECEIPT. In case permit cannot be granted the amount of the fee will be refunded upon return of the receipt less \$10.00 or 10% whichever is greater.

*Handwritten signature*

WHITE - Applicant's Copy  
YELLOW - Office Copy  
PINK - Permit Copy

# ELECTRICAL PERMIT

## City of Portland, Me.



To the Chief Electrical Inspector, Portland Maine:  
 The undersigned hereby applies for a permit to make electrical installations in accordance with the laws of Maine, the City of Portland Electrical Ordinance, National Electrical Code and the following specifications:

LOCATION: 65 Regan Lane  
 CMP ACCOUNT # \_\_\_\_\_  
 TENANT \_\_\_\_\_

METER MAKE & # \_\_\_\_\_  
 OWNER Steve Guzeux  
 PHONE # \_\_\_\_\_

Date 7/14/04  
 Permit # 20044735  
 CBL# 348 CO

OUTLETS	Receptacles	Switches	Smoke Detector	TOTAL EACH FEE
FIXTURES	Incandescent	Fluorescent	Strips	.20
SERVICES	Overhead	Underground	TTL AMPS <800	15.00
	Overhead	Underground	>800	25.00
Temporary Service	Overhead	Underground	TTL AMPS	25.00
METERS	(number of)			25.00
MOTORS	(number of)			1.00 <u>1.00</u>
RESID/COM	Electric units			2.00
HEATING	oil/gas units	Interior	Exterior	1.00
APPLIANCES	Ranges	Cook Tops	Wall Ovens	5.00
	Insta-Hot	Water heaters	Fans	2.00
	Dryers	Disposals	Dishwasher	2.00
	Compactors	Spa	Washing Machine	2.00
	Others (denote)			2.00
MISC. (number of)	Air Cond/win			3.00
	Air Cond/cent		Pools	10.00
	HVAC	EMS	Thermostat	5.00
	Signs			10.00
	Alarms/res			5.00
	Alarms/com			15.00
	Heavy Duty(CRKT)			2.00
	Circus/Carnv			25.00
	Alterations			5.00
	Fire Repairs			15.00
	E Lights			1.00
	E Generators			20.00
PANELS	Service	Remote	Main	4.00
TRANSFORMER	0-25 Kva			5.00
	25-200 Kva			8.00
	Over 200 Kva			10.00
	MINIMUM FEE/COMMERCIAL 45.00		TOTAL AMOUNT DUE	35.00
			MINIMUM FEE	35.00

CONTRACTORS NAME PLACE ELECTRIC INC MASTER LIC. # 106026  
 ADDRESS 173 S. Wesscott St Portland LIMITED LIC. # \_\_\_\_\_  
 TELEPHONE 797-9854

SIGNATURE OF CONTRACTOR Charles R. [Signature]

