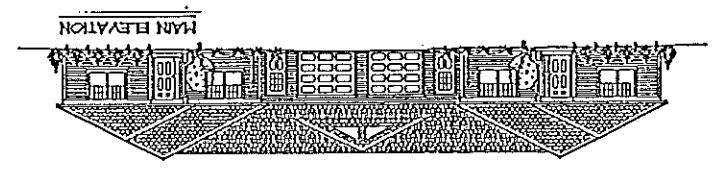
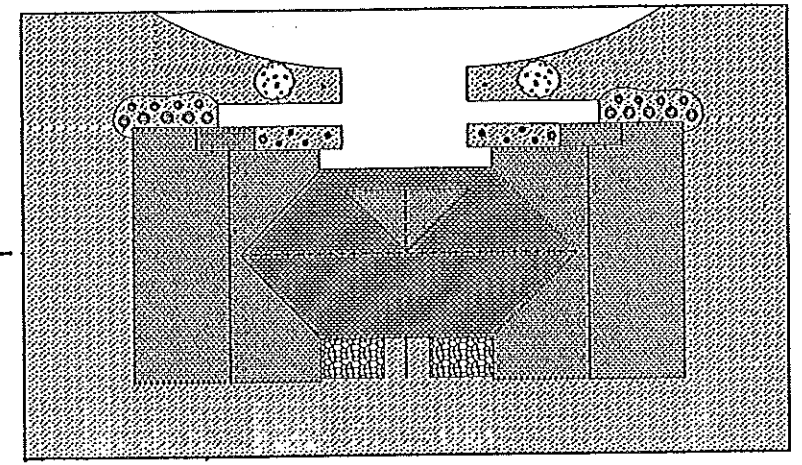


Skylark Road (to west)

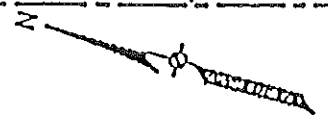
Sutton Street

WASHINGTON AVE.

MUGGERY LANE

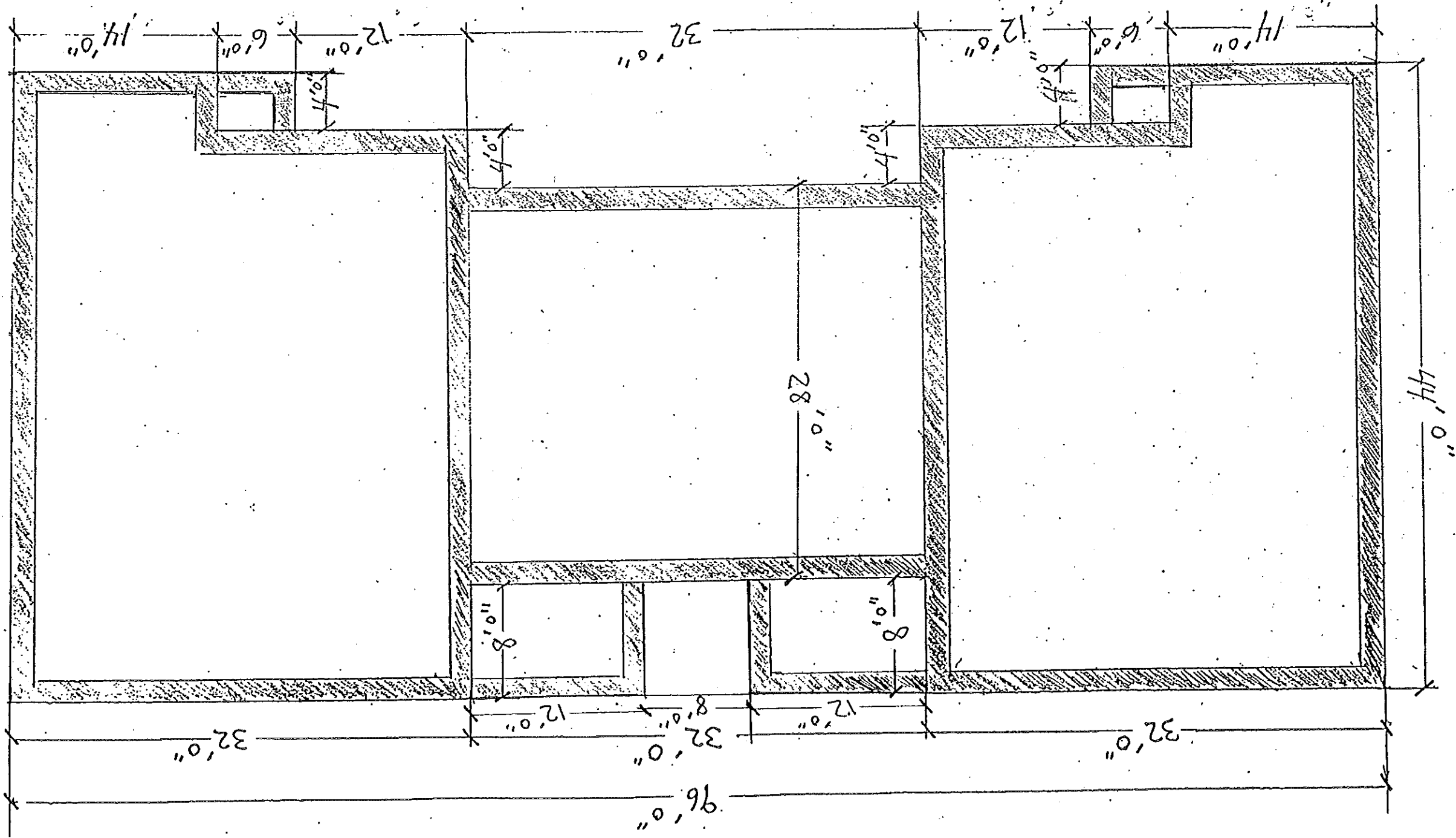


MEADOW RIDGE



FOUNDATION PLAN MEADOWBRIDGE

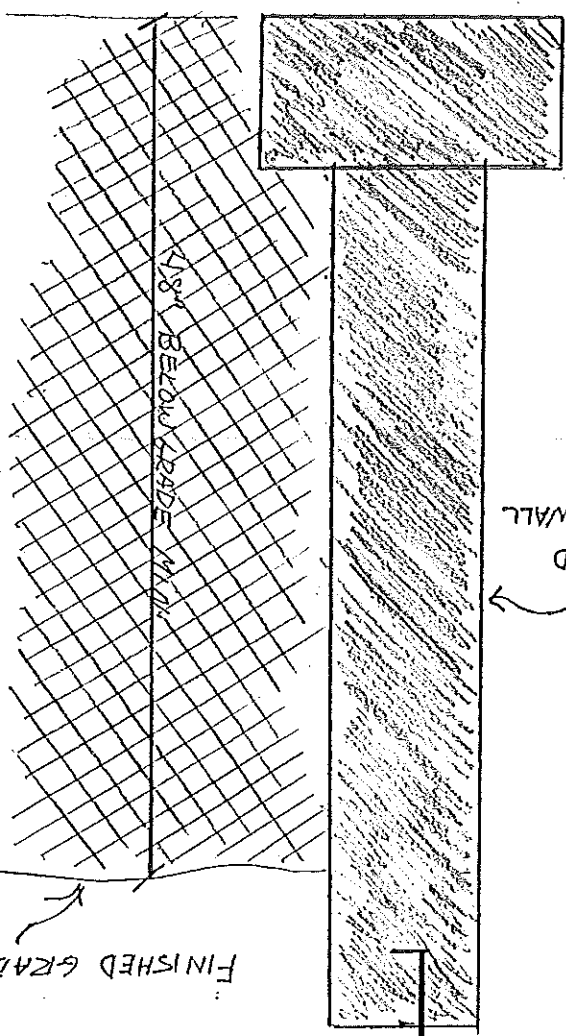
NOT TO SCALE



8" POURED CONCRETE WALL

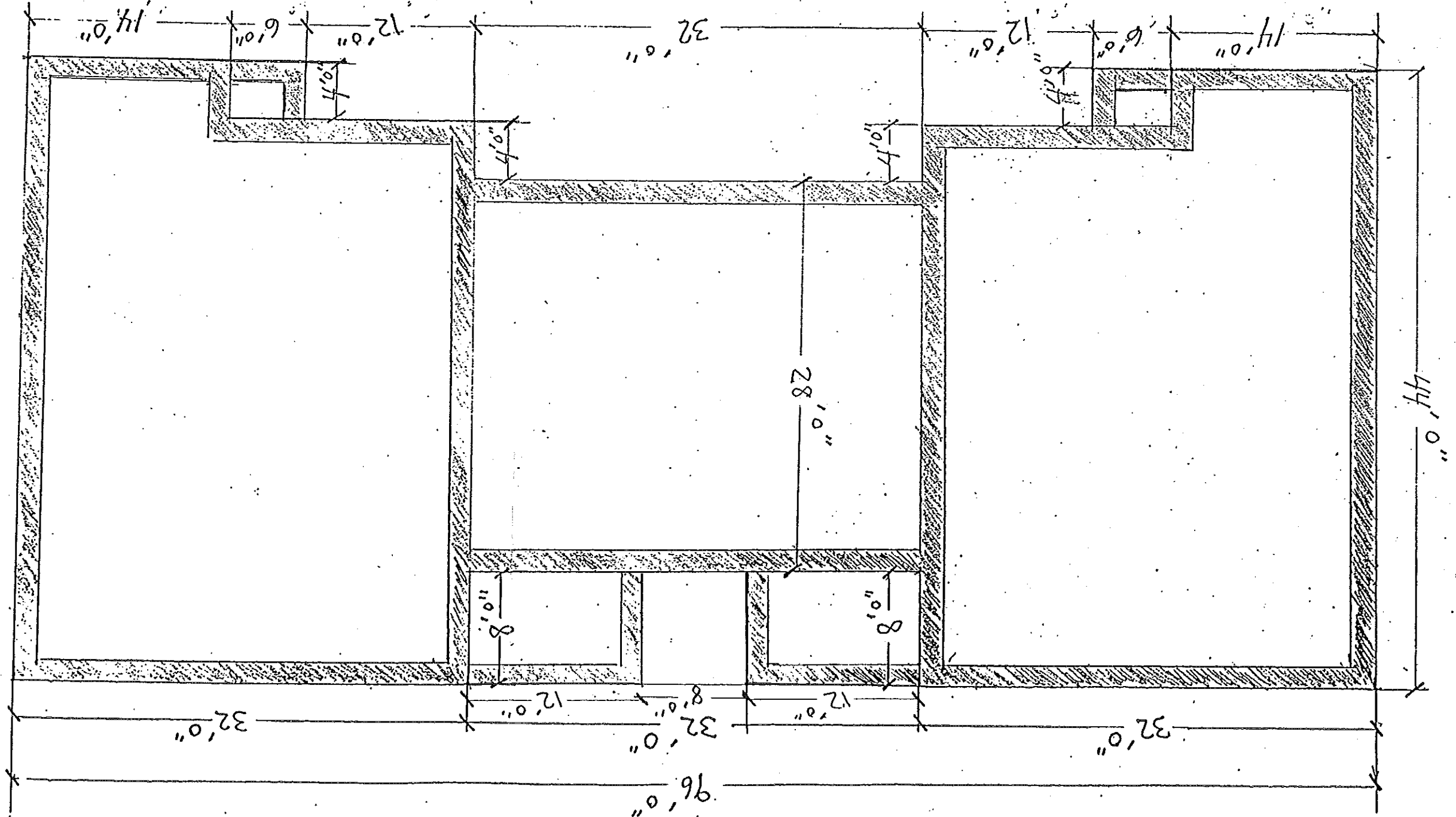
ANCHOR BOLTS 6' OC.

8"x16" CONCRETE FOOTING SETTING ON UNDISTURBED GROUND



FOUNDATION PLAN MEADOWBRIDGE

NOT TO SCALE



8" POURED CONCRETE WALL

ANCHOR BOLTS 6" DIA.

8"x16" CONCRETE FOOTING SETTING ON UNDISTURBED GROUND

1/8" BELOW GRADE

FINISHED GRADE