

City of Portland, Maine - Building or Use Permit Application

389 Congress Street, 04101 Tel: (207) 874-8703, Fax: (207) 874-8716

Permit No: 05-0135	Issue Date: FEB 15 2005	Fee: 398	Permit Issued By: G007001
Location of Construction: 139 Abby Ln	Owner Name: Polito Amy L &	Owner Address: 139 Abby Ln	Phone: FEB 15 2005
Business Name: Lesse/Buyer's Name	Contractor Name: Frost N Flame	Contractor Address: 629 Main St, Gorham	Phone: (207) 8367000
	Phone:	City of Portland	Zone: R2
Past Use: Residential single family	Proposed Use: Residential Single family Install a Lopi Bedford fireplace insert	Permit Fee: \$57.00	Cost of Work: \$57.00
		CEO District: 5	

Proposed Project Description:
Install a Lopi Bedford fireplace insert

FIRE DEPT: <input type="checkbox"/> Approved <input type="checkbox"/> Denied	INSPECTION: Use Group: R3 Type: FD#4
Signature: PEDESTRIAN ACTIVITIES DISTRICT (P.A.D.)	Signature: RMB 2/14/05
Action: <input type="checkbox"/> Approved <input type="checkbox"/> Approved w/Conditions <input type="checkbox"/> Denied	Date: 2/14/05

Permit Taken By: dmarin Date Applied For: 02/07/2005

Zoning Approval

Special Zone or Reviews	Zoning Appeal	Historic Preservation
<input type="checkbox"/> Shoreland <input type="checkbox"/> Wetland <input type="checkbox"/> Flood Zone <input type="checkbox"/> Subdivision <input type="checkbox"/> Site Plan May <input type="checkbox"/> Minor <input type="checkbox"/> MM <input type="checkbox"/>	<input type="checkbox"/> Variance <input type="checkbox"/> Miscellaneous <input type="checkbox"/> Conditional Use <input type="checkbox"/> Interpretation <input type="checkbox"/> Approved <input type="checkbox"/> Denied	<input checked="" type="checkbox"/> Not in District or Landmark <input type="checkbox"/> Does Not Require Review <input type="checkbox"/> Requires Review <input type="checkbox"/> Approved <input type="checkbox"/> Approved w/Conditions <input type="checkbox"/> Denied
Date: RMB 2/14/05	Date:	Date: RMB

- This permit application does not preclude the Applicant(s) from meeting applicable State and Federal Rules.
- Building permits do not include plumbing, septic or electrical work.
- Building permits are void if work is not started within six (6) months of the date of issuance. False information may invalidate a building permit and stop all work..

CERTIFICATION

I hereby certify that I am the owner of record of the named property, or that the proposed work is authorized by the owner of record and that I have been authorized by the owner to make this application as his authorized agent and I agree to conform to all applicable laws of this jurisdiction. In addition, if a permit for work described in the application is issued, I certify that the code official's authorized representative shall have the authority to enter all areas covered by such permit at any reasonable hour to enforce the provision of the code(s) applicable to such permit.

SIGNATURE OF APPLICANT _____ ADDRESS _____ DATE _____ PHONE _____

RESPONSIBLE PERSON IN CHARGE OF WORK, TITLE _____ DATE _____ PHONE _____



FILL IN AND SIGN WITH INK

393 G 007

APPLICATION FOR PERMIT HEATING OR POWER EQUIPMENT

To the INSPECTOR OF BUILDINGS, PORTLAND, ME.

The undersigned hereby applies for a permit to install the following heating, cooking or power equipment in accordance with the Laws of Maine, the Building Code of the City of Portland, and the following specifications:

Location / CBL 139 Appleton Use of Building Residential Date 11/10/09
Name and address of owner of appliance Lonny Polito 139 Appleton

Installer's name and address Rob St Pierre - Frost Flame 629 Thaw St
Carham The Works Telephone 856-2000

Location of appliance:
 Basement Floor 1st
 Attic Roof

Type of Fuel:
 Gas Oil Solid
Fuel gas

Appliance Name: 1-1/2 Burner Insert
U.L. Approved Yes No

Will appliance be installed in accordance with the manufacturer's installation instructions? Yes No

IF NO Explain: _____

The Type of License of Installer::

- Master Plumber # _____
- Solid Fuel # _____
- Oil # _____
- Gas # PNTS12C
- Other _____

Type of Chimney:
 Masonry Lined
Factory built _____

Metal
Factory Built U.L. Listing # _____

Direct Vent Loies up fireplace
Type 2-Flx U.L.# 13681

Type of Fuel Tank
 Oil
 Gas

Size of Tank 50 gal

Number of Tanks 1

Distance from Tank to Center of Flame 50 feet

Cost of Work: \$ 3785.95

Permit Fee: \$ 57.00

Approved

Approved with Conditions

See attached letter or requirement

Fire: _____
Ele.: 5002 2 BBF
Bldg.: PMB

Signature of Installer

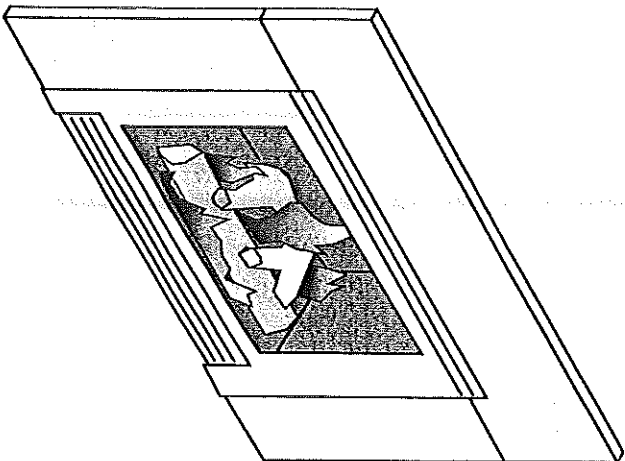


Inspector's Signature _____ Date Approved _____

White - Inspection Yellow - File Pink - Applicant's Gold - Assessor's Copy



Travis Industries, Inc.



Featuring the



EMBER[™]

GAS GETS REAL

Burner

- Direct Vent Fireplace Insert
- Masonry or Factory Built (Metal) Fireplace
- Residential or Mobile Home



Listed

ANSI Z21.88 1998 CSA 2.33M88
CAN/CSA 2.17M81, U.L. 307D

WARNING: Improper installation, adjustment, alteration, service or maintenance can cause injury or property damage. Refer to this manual. For assistance or additional information consult a qualified installer, service agency, or the gas supplier.

- Do not store or use gasoline or other flammable vapors and liquids in the vicinity of this or any other appliance.

- Installation must be performed by a qualified installer, service agency or the gas supplier

IF YOU SMELL GAS

- Do not try to light any appliance.
- Do not touch any electrical switch; do not use any phone in your building.
- Immediately call gas supplier from a neighbor's phone. Follow the gas supplier's instructions.
- If you cannot reach your gas supplier, call the fire department.

DVS Insert EF Owner's Manual

Installer: After installation give this manual to the home-owner and explain operation of this stove.

\$10.00

© Copyright 2003, T.I.

Part # 100-01150



Travis Industries, Inc.

10850 117th Place N.E. Kirkland, WA 98033

Features:

- Works During Power Outages (millivolt system)
- High Efficiency
- Optional Thermostat or Remote Control
- Ember Fyre™ for a "Wood Fire" Look
- Quiet Blower for Effective Heat Distribution
- Convenient Operating Controls
- Variable-Rate Heat Output
- Low Maintenance

Installation Options:

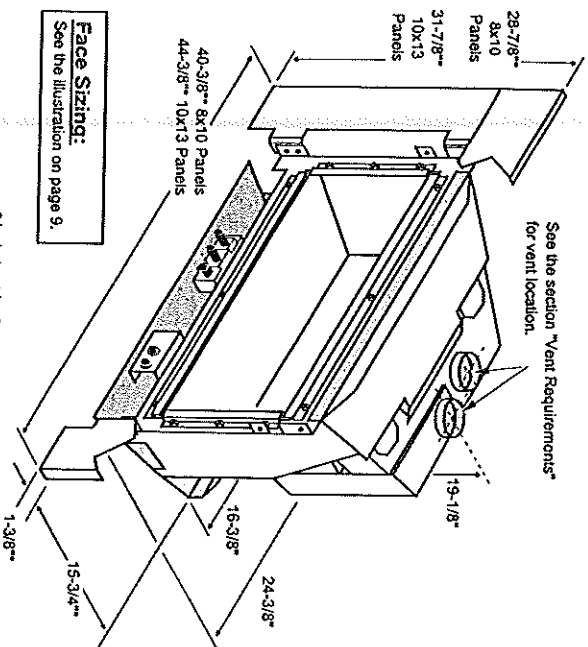
- Residential or Mobile Home
- Fireplace Insert
- Masonry or Zero Clearance (Metal) Fireplace

Heating Specifications:

Approximate Heating Capacity (in square feet)*
 BTU Input Per Hour on High
 BTU Input Per Hour on Low
 Efficiency** (with blowers on)
 AFUE (Annual Fuel Utilization Efficiency)

Natural Gas	Propane
500 to 1,500	500 to 1,500
31,000	31,000
18,600	16,000
80 %	80.5 %
71.3 %	71.8 %

- * Heating capacity will vary with floor plan, insulation, use of power heat vent, and outside temperature.
- ** Efficiency rating is a product thermal efficiency rating determined under continuous operation independent of installed system.



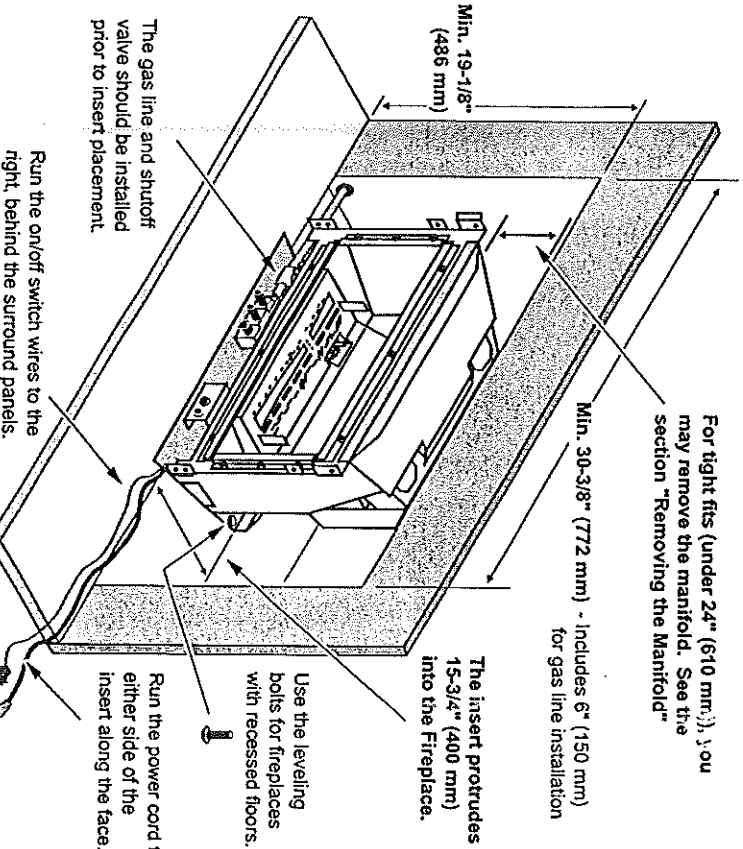
Fuel: This heater is designed either for natural gas or for propane. Check the sticker on top of the gas control valve or check with the installer to verify gas use.

Compliance: This unit has passed the ANSI Z21.88 – 1998, CSA 2.33 M98 Vented Gas Fireplace Heater Standard as tested by OMNI-Test Laboratories, Inc. Beaverton, Oregon.

Electrical: 120 Volts, 1.3 Amps, 60 Hz (150 watts on high)

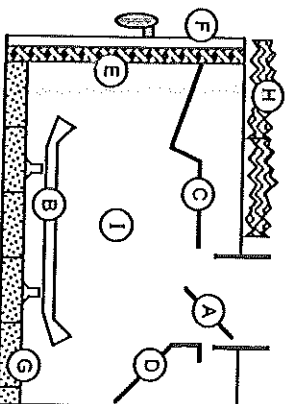
Installation (for qualified installers only)

Insert Placement

- Insert must be placed within a code-conforming masonry fireplace or tested and listed zero-clearance (metal) fireplace. Fix any fireplace damage prior to installation.
 - Because the insert uses a circulation blower, clean the fireplace, smoke shelf, and chimney prior to installation. We recommend painting the interior surface of the fireplace with latex paint to further eliminate dust.
 - This heater may be placed in a bedroom. Please be aware of the large amount of heat this appliance produces when determining a location.
- 
- For tight fits (under 24" (610 mm)), you may remove the manifold. See the section "Removing the Manifold"
- Min. 30-3/8" (772 mm) - Includes 6" (150 mm) for gas line installation
- The insert protrudes 15-3/4" (400 mm) into the Fireplace.
- Use the leveling bolts for fireplaces with recessed floors.
- Run the power cord to either side of the insert along the face.
- Run the on/off switch wires to the right, behind the surround panels.
- The gas line and shutoff valve should be installed prior to insert placement.

Zero-Clearance (Metal) Fireplace Requirements:

- The damper ("A") and grate (with log set) ("B") must be removed (see the illustration below)
 - The smoke shelf ("C"), internal baffles ("D"), screen ("E"), masonry lining or refractory ("G" & "I"), and metal or glass doors ("F") may be removed (if applicable)
- NOTE:** if any internal baffle is cut, bent, or removed, the fireplace must be permanently marked to indicate that it has been altered and is no longer suitable for burning solid fuel (wood).
- The insulation ("H"), and any structured rigid frame members (metal sides, floor, door frame, face of the fireplace, etc.) must not be removed or altered.



Hearth Requirements

- The heater must be installed on a non-combustible hearth extending a minimum 12" from the fireplace opening (local codes may require a larger hearth). The hearth must also extend to both sides of the face (see the table above for the exact width of the face).

Installation

(for qualified installers only)

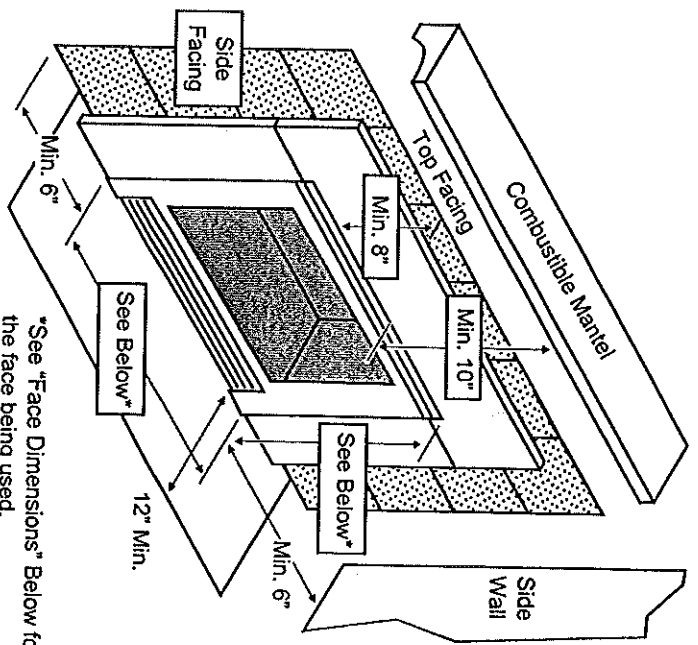
Insert Clearances

- No combustibles may be within, or swing within, 36" of the front of the insert (drapes, doors)

Mantel Clearances

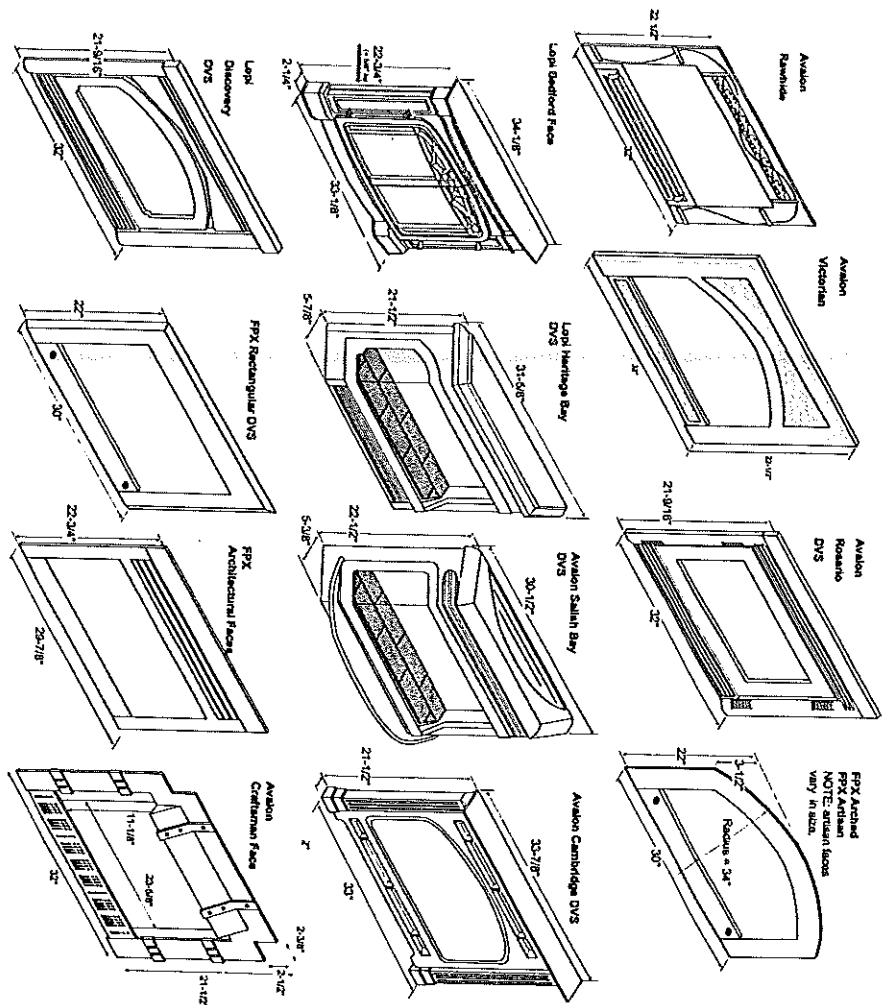
The mantel must be a minimum 10" above the face and a maximum 8" deep.

NOTE: The combustible area above the facing must not protrude more than 3/4" from the facing. If it does, it is considered a mantel and must meet the mantel requirements listed in this manual.



*See "Face Dimensions" Below for the face being used.

Face Dimensions



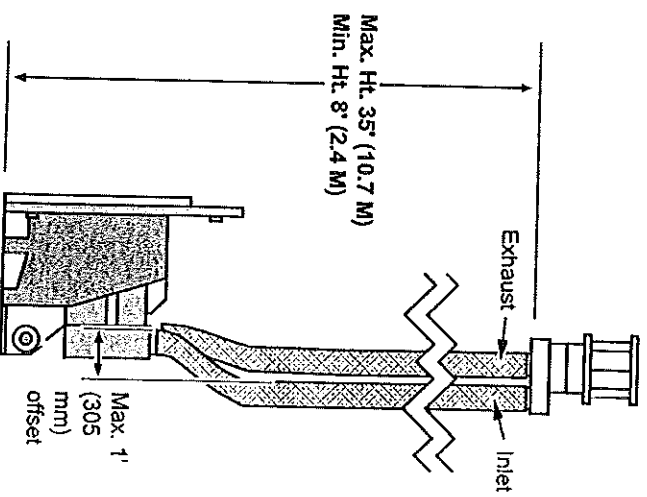
Installation (for qualified installers only)

Vent Requirements

- 1 The gas appliance and vent system must be vented directly to the outside of the building, and never be attached to a chimney serving a separate solid fuel or gas-burning appliance. Each direct vent gas appliance must use its own separate vent system.
- 1 Make sure the exhaust pipe on the heater connects to the exhaust portion of the cap. The illustrations below show how the flex liners should be attached.
- The exhaust vent must reline the entire length of the chimney and terminate above the chimney top
- 1 Be careful not to crimp or rupture the liner when bending it into chimney offsets
- When installed, the vent must meet all of the vent manufacturer's requirements
- Make sure to order the following:
 - 3" UL 1777 Gas Liner for Air Inlet and Exhaust
 - Dura-Vent Adapter & Flashing (part # 923GK).
 - Vertical Termination Cap (Dura-Vent pt # 991)

Altitude Considerations

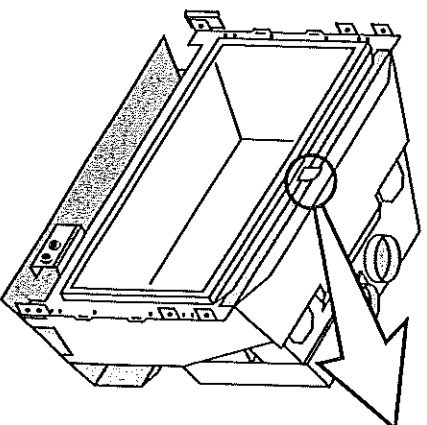
- 1 This heater has been tested at altitudes ranging from sea level to 8,000 feet (2,400 M). In this testing we have found that the heater, with its standard orifice, burns correctly with just an air shutter adjustment. If local codes require resizing the orifice, in the U.S.A. refer to ANSI Z23.1, Appendix P, in Canada B-149.1 or B-149.2
- 1 Failure to adjust the air shutter properly may lead to improper combustion which can create a safety hazard. Consult your dealer or installer if you suspect an improperly adjusted air shutter.



Vent Restrictor

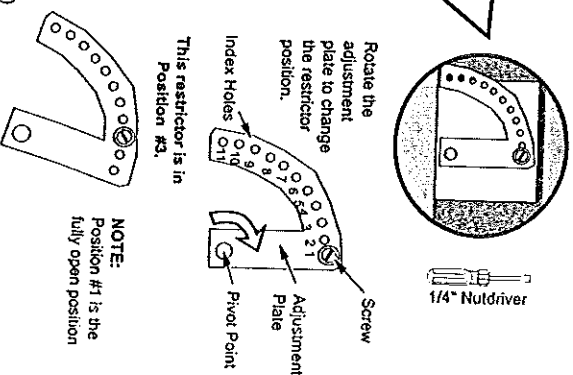
WARNING: Restrictor adjustment should only be done by a qualified installer.

Only those installations determined to be over-drafting require this adjustment. The best indication of over-drafting is a hyper-active flame pattern (flames that move too quickly). If the air shutter is constricted, the flames become short and yellow, yet still very active. Over-drafting may affect the pilot, but this is not the best way to determine over-drafting. Over-drafting is most likely in tall venting configurations (especially if using an "Exhaust Only Re-Line"). Do not over-restrict the vent (this leads to ghosting or lifting flames - reduce restrictor setting).

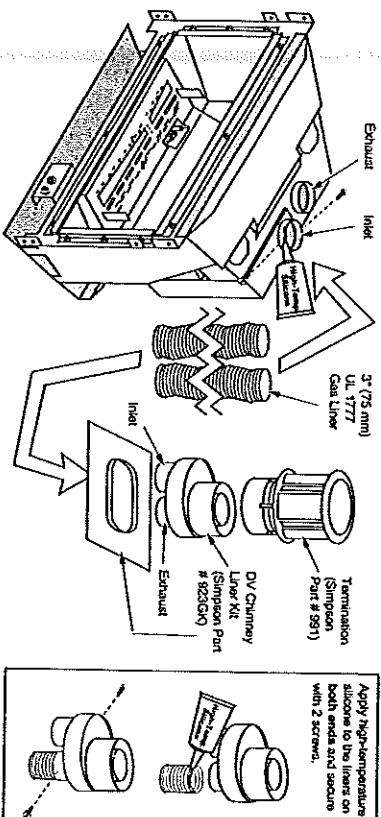


To Adjust the Restrictor:

- 1 Determine a restrictor position. Start low(move the restrictor a maximum two positions at a time) and thoroughly test the heater before adjusting further.
- 2 Remove the screw with a 1/4" nutdriver (or screwdriver).
- 3 Rotate the adjustment plate clockwise until the correct index hole is below the pivot point.
- 4 Insert the screw into the correct index hole and tighten.

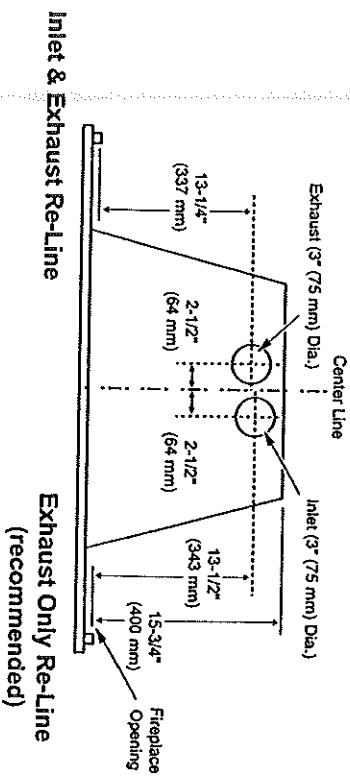


Vent Installation

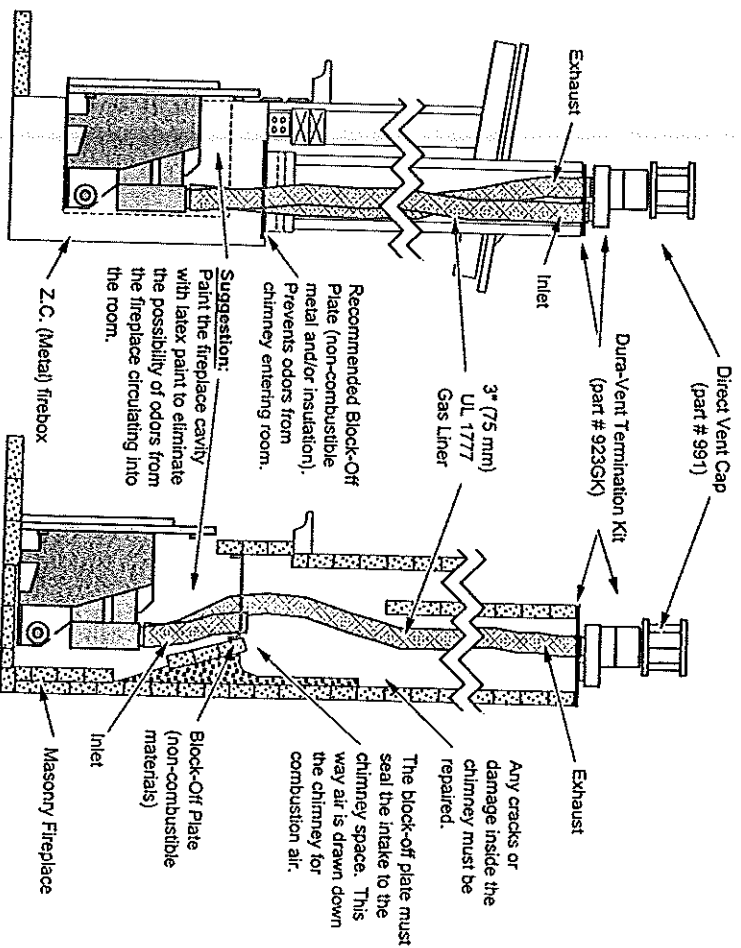


Make sure to route the exhaust liner to the exhaust portion of the cap.

Vent Location



Vent Configurations



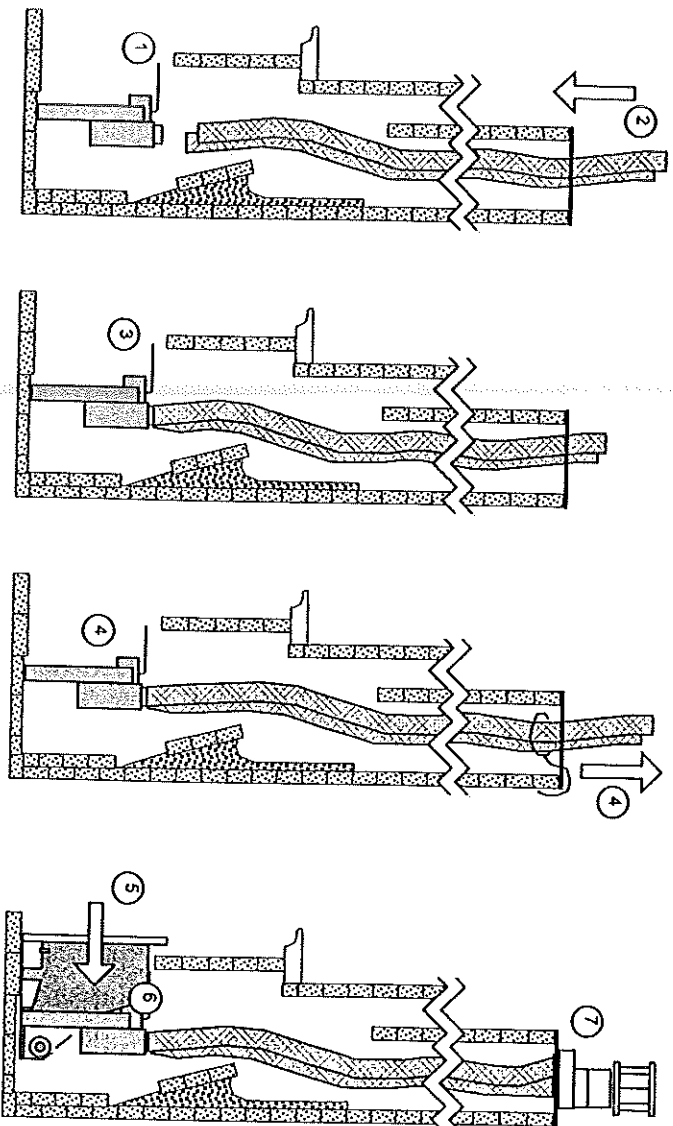
NOTE: You may use either re-line configuration with a masonry or zero-clearance fireplace.

Installation (for qualified installers only)

Manifold Removal and Installation

• The manifold is shipped attached to the insert, but may be removed to facilitate especially tight installations. See the directions below for installation.

- 1 Remove the manifold and place it within the fireplace (see the instructions on the following page).
- 2 Route the flex vent through the chimney from above (leave an extra 3' (914 mm) at the top).
- 3 Attach the flex vent to the manifold (seal with silicone and attach with screws).
- 4 Place the manifold in an upright position (so it rests on the manifold legs) and have a partner pull on the excess flex vent. Temporarily attach the flex vent to the top of the chimney (leave extra slack).
- 5 Slide the insert into place, guiding the convection top over the insert until fully in place.
- 6 After removing any slack from the flex vent, attach the manifold to the appliance.
- 7 Remove any excess slack in the flex line then attach the vent termination.



City of Portland, Maine - Building or Use Permit

389 Congress Street, 04101 Tel: (207) 874-8703, Fax: (207) 874-8716

Permit No:	05-0135	Date Applied For:	02/02/2005	CBL:	393 G007001
------------	---------	-------------------	------------	------	-------------

Location of Construction: 139 Abby Ln	Owner Name: Polito Amy L &	Owner Address: 139 Abby Ln	Phone:
Business Name:	Contractor Name: Frost N Flame	Contractor Address: 629 Main St. Gorham	Phone (207) 856-7000
Lessee/Buyer's Name	Phone:	Permit Type: HVAC	

Proposed Use:
Residential Single family Install a Lopi Bedford fireplace insertProposed Project Description:
Install a Lopi Bedford fireplace insert

Dept: Zoning	Status: Approved	Reviewer: Jeanine Bourke	Approval Date: 02/14/2005
Note:			OK to Issue: <input checked="" type="checkbox"/>

Dept: Building	Status: Approved	Reviewer: Jeanine Bourke	Approval Date: 02/14/2005
Note:			OK to Issue: <input checked="" type="checkbox"/>

1) The installation must comply with the State of Maine Gas Regulations.