

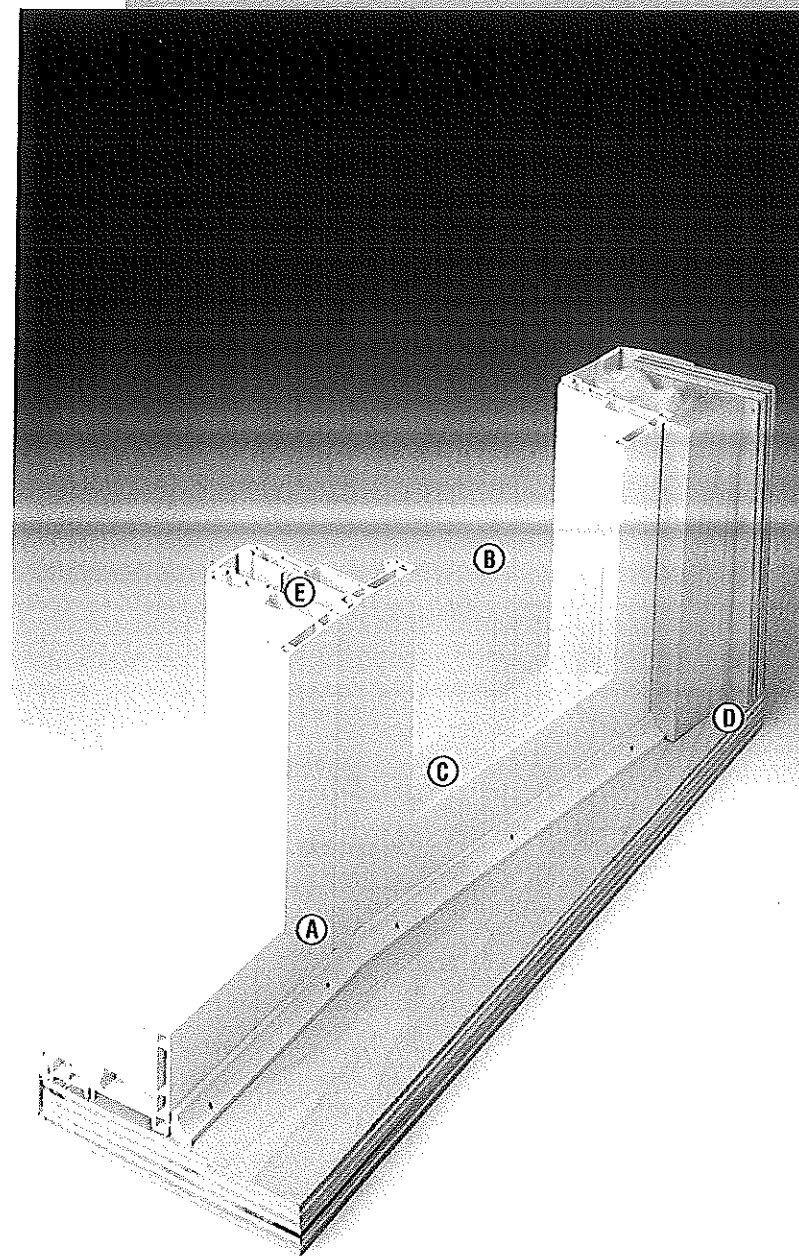


# 6000 SERIES

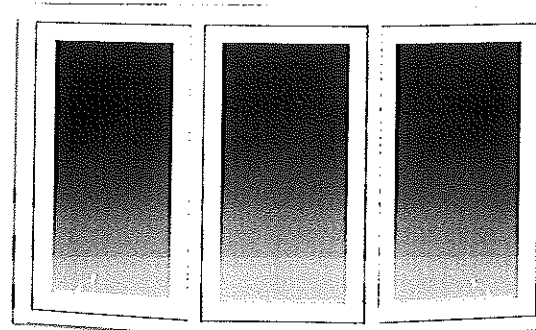
*Vinyl Bay & Bow Windows*

Add character and drama to any building project; plus maintenance-free performance.

- Operable & Fixed Units
- Cable Support System on Certain Models (see sizes available)
- Factory Assembled and Ready for Installation
- Birch Plywood Head and Seat Boards
- Maple Trim Moldings



- (A) Welded Vinyl
- (B) 7/8" Insulated Glass
- (C) Casement Style Window (Double Hungs also available)
- (D) Wood Construction Head, Seal and Jamb
- (E) High Quality Mulling System

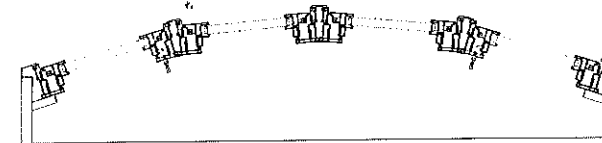


**CAPITOL™**  
WINDOWS AND DOORS

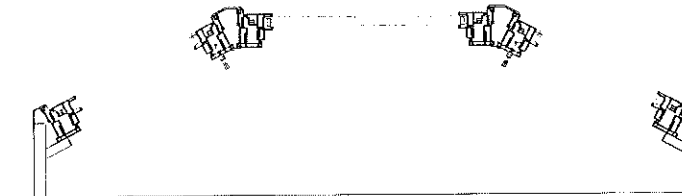
# 6000 SERIES

*Vinyl Bay & Bow Windows*

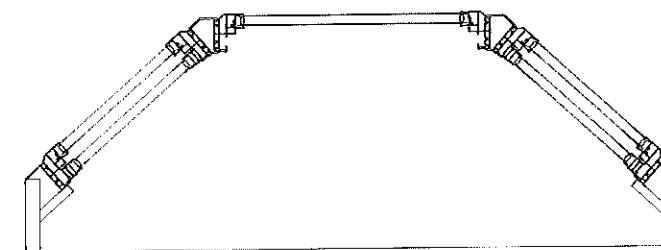
CASEMENT BOW WINDOW



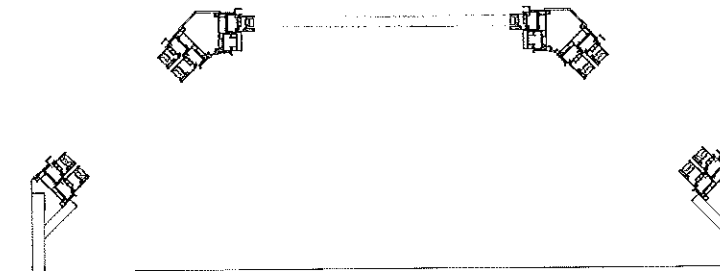
CASEMENT 30° BAY WINDOW



SINGLE HUNG 45° BAY WINDOW



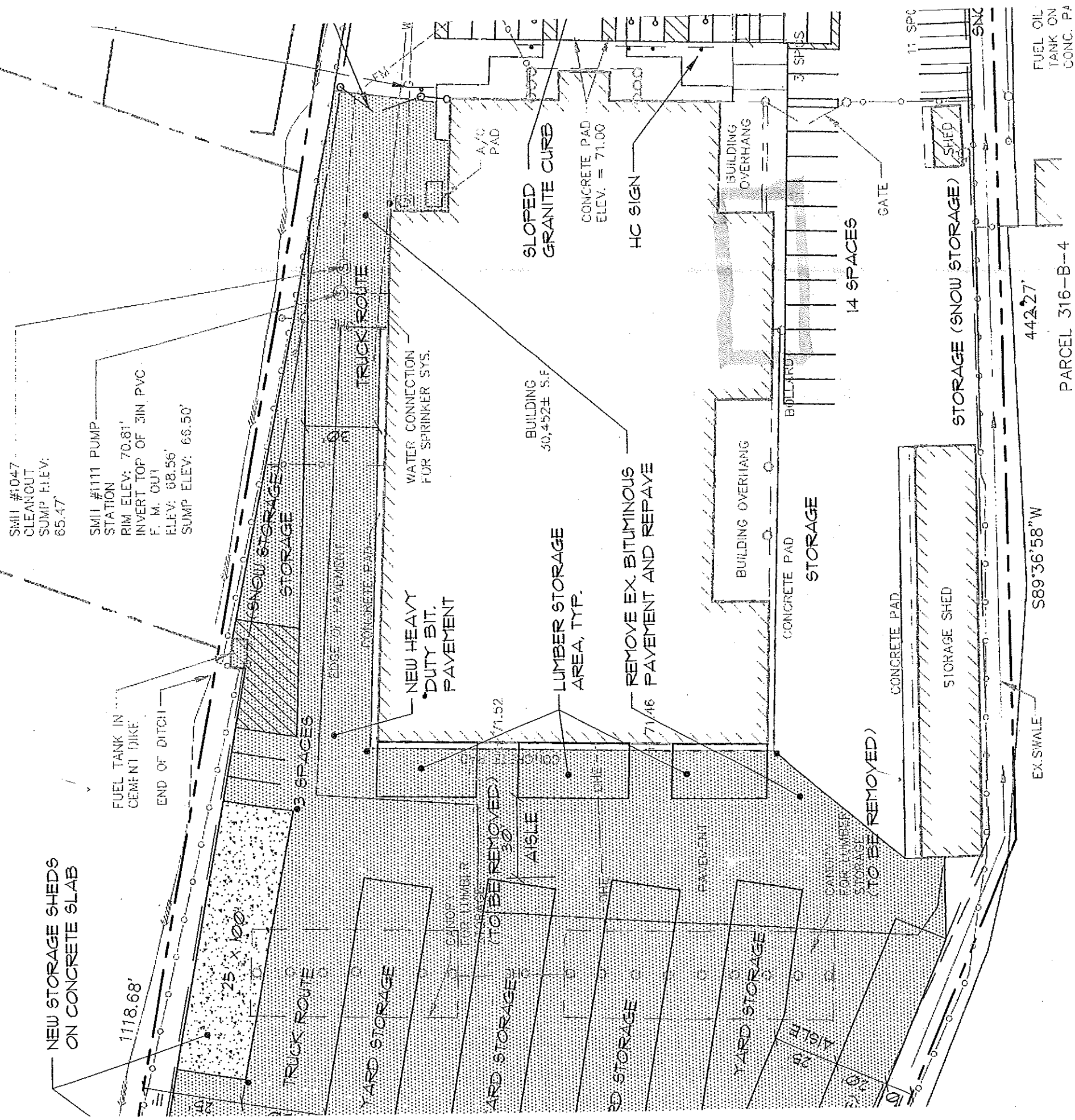
DOUBLE HUNG 45° BAY WINDOW



**CAPITOL™**  
WINDOWS AND DOORS

PARCEL 316-B-10  
 NF  
 BLOUIN REALTY INC.  
 6345/205  
 "FOREST CITY CHEVROLET"

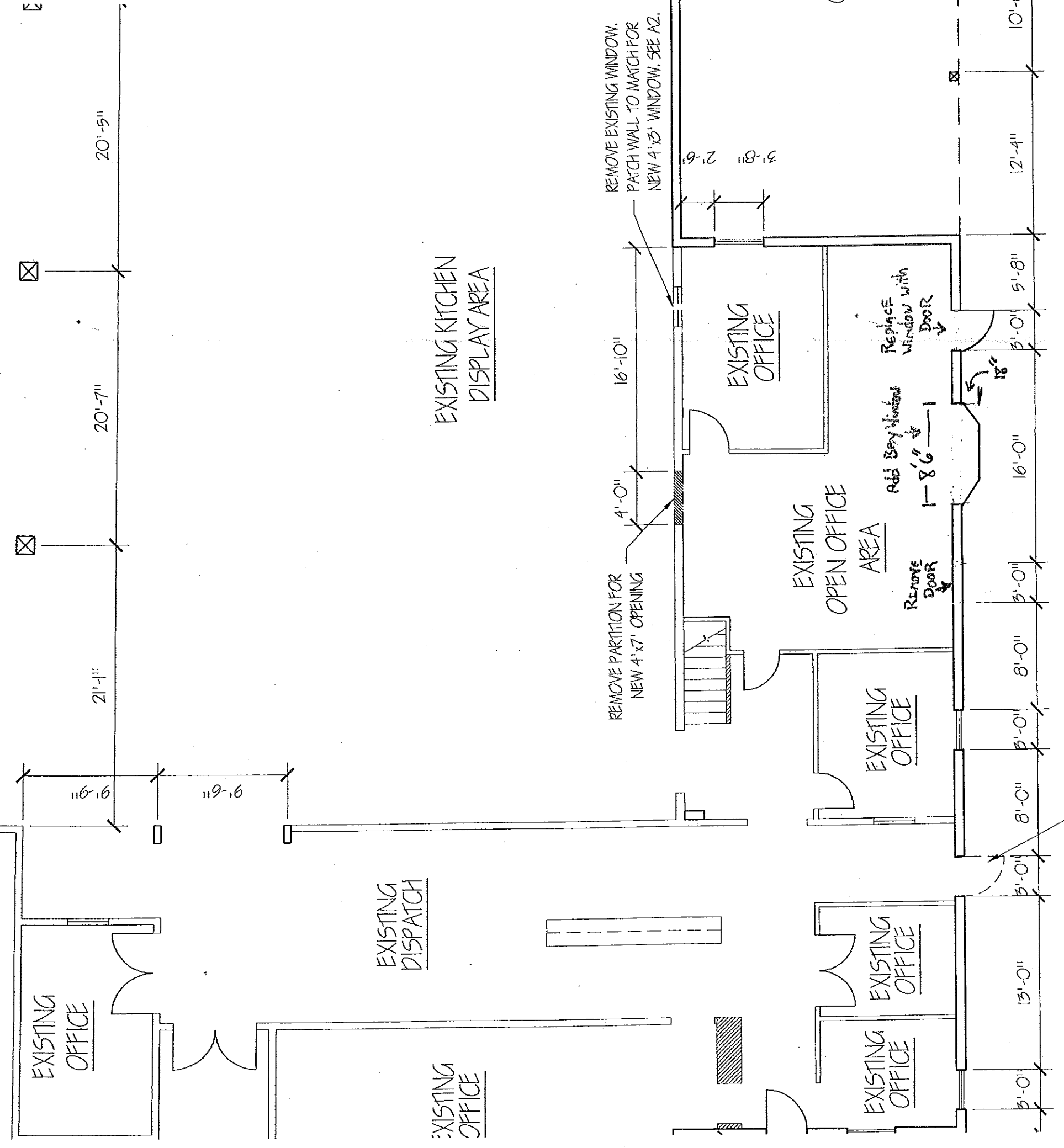
1-7  
 ANY INC.



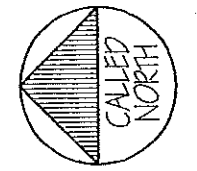
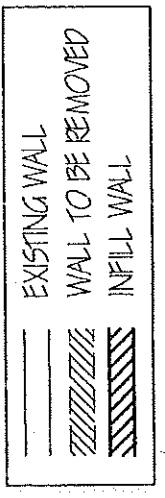
PARCEL 316-B-4  
 NF  
 222 RIVERSIDE CORP.  
 9255/231  
 "MADAWASKA LANDSCAPE STONE CO."

RETAIN EXIS  
 PEDESTAL

EXISTING TOOLS & HARDWARE AREA



LEGEND

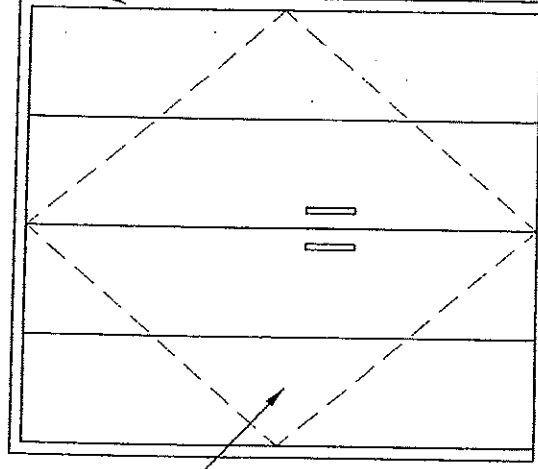


SECTION PLAN

NO	QTY	UNIT	DESCRIPTION	14	13	12	11	10	9	8	7	6	5	4	3	2	1	NU	HM	NU	VW	1-A5	1-A5
108	F	3070	TRANSPARENT FINISH S.C. WOOD BIFOLD DOORS	1 3/4	1 3/4	NO	HW-7	NO	NONE	NONE	NONE	NONE	NONE	NONE	NONE	NONE	NONE	NO	HM	NO	DW	1-A5	1-A5
109	F	3070		1 3/4	1 3/4	NO	HW-4	NO	NONE	NONE	NONE	NONE	NONE	NONE	NONE	NONE	NONE	NO	HM	NO	DW	1-A5	1-A5
110	A	3070PR		1 3/4	1 3/4	NO	HW-8	NO	NONE	NONE	NONE	NONE	NONE	NONE	NONE	NONE	NONE	NO	HM	NO	DW	1-A5	1-A5
111	F	3070		1 3/4	1 3/4	NO	HW-4	NO	NONE	NONE	NONE	NONE	NONE	NONE	NONE	NONE	NONE	NO	HM	NO	DW	1-A5	1-A5
112	F	3070		1 3/4	1 3/4	NO	HW-2	NO	NONE	NONE	NONE	NONE	NONE	NONE	NONE	NONE	NONE	NO	HM	NO	DW	1-A5	1-A5
113	E	3070		1 3/4	1 3/4	NO	HW-6	NO	NONE	NONE	NONE	NONE	NONE	NONE	NONE	NONE	NONE	NO	HM	NO	DW	1-A5	1-A5
114	F	3070		1 3/4	1 3/4	NO	HW-1	NO	NONE	NONE	NONE	NONE	NONE	NONE	NONE	NONE	NONE	NO	HM	NO	DW	1-A5	1-A5
E																							

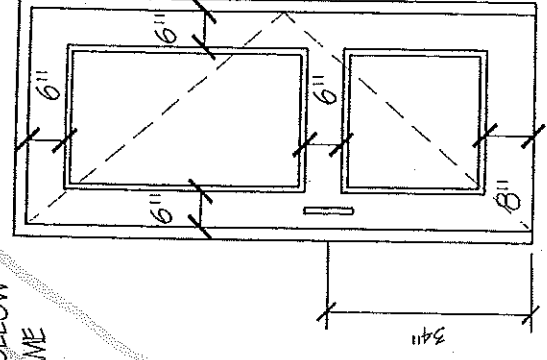
EXISTING

PAINTED HOLLOW METAL FRAME

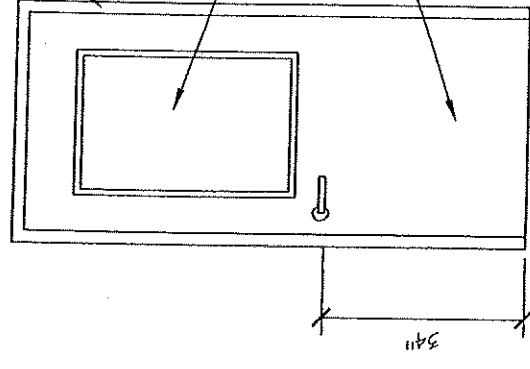


TRANSPARENT FINISH S.C. WOOD BIFOLD DOORS

(A) TRANSPARENT FINISH S.C. WOOD VENEER

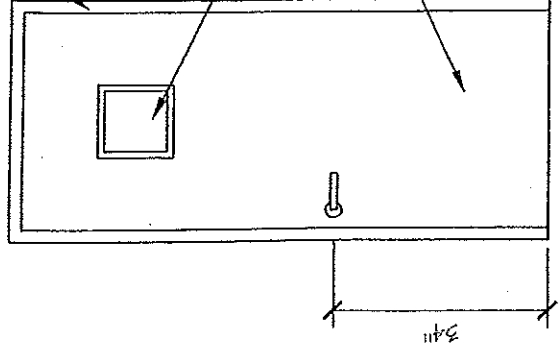


(B) ALUMINUM STOREFRONT



(C) PAINTED HOLLOW METAL

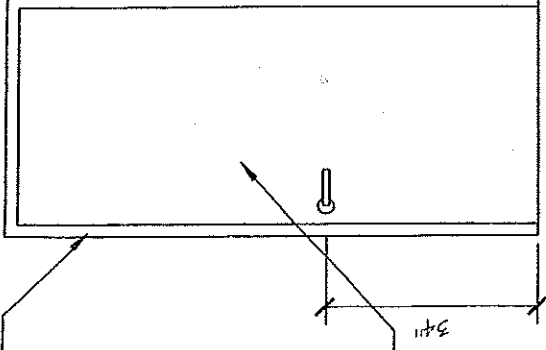
PAINTED HOLLOW METAL FRAME



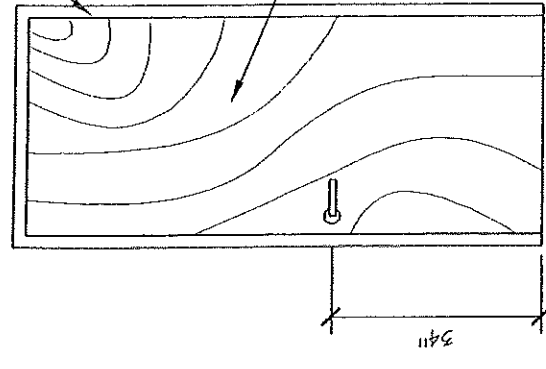
WIRE GLASS or "FIRELITE" (10" x 10")

PAINTED HOLLOW METAL DOOR

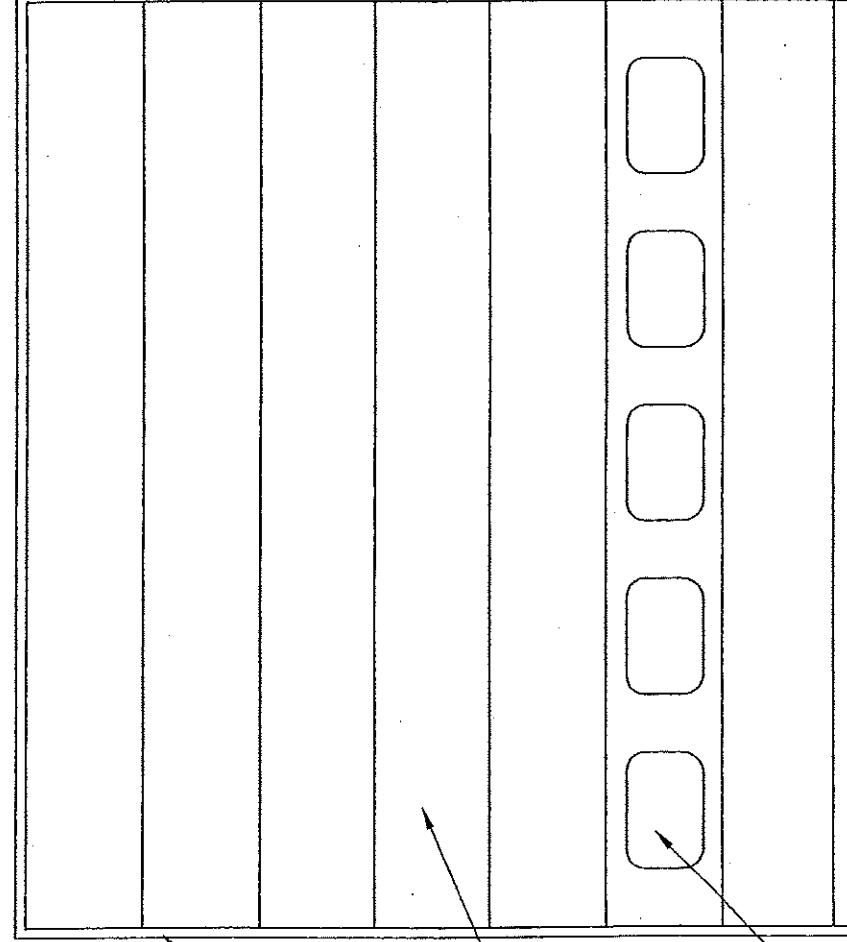
(D) PAINTED HOLLOW METAL



(E) PAINTED HOLLOW METAL



(F) TRANSPARENT FINISH S.C. WOOD VENEER



PTD METAL FRAME

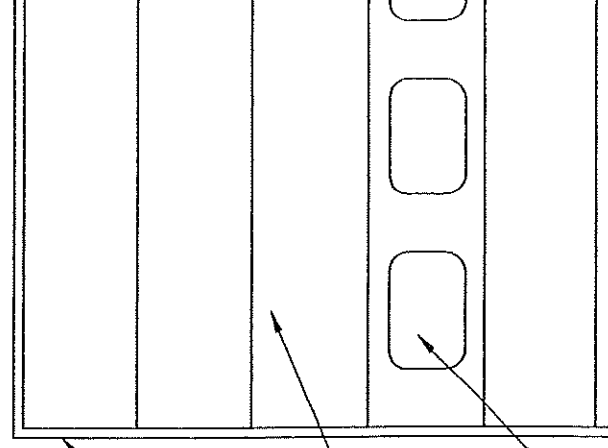
PTD METAL SECTIONAL PANELS

TEMPERED INSULATED GLASS

PTD METAL FRAME

PTD METAL SECTIONAL PANELS

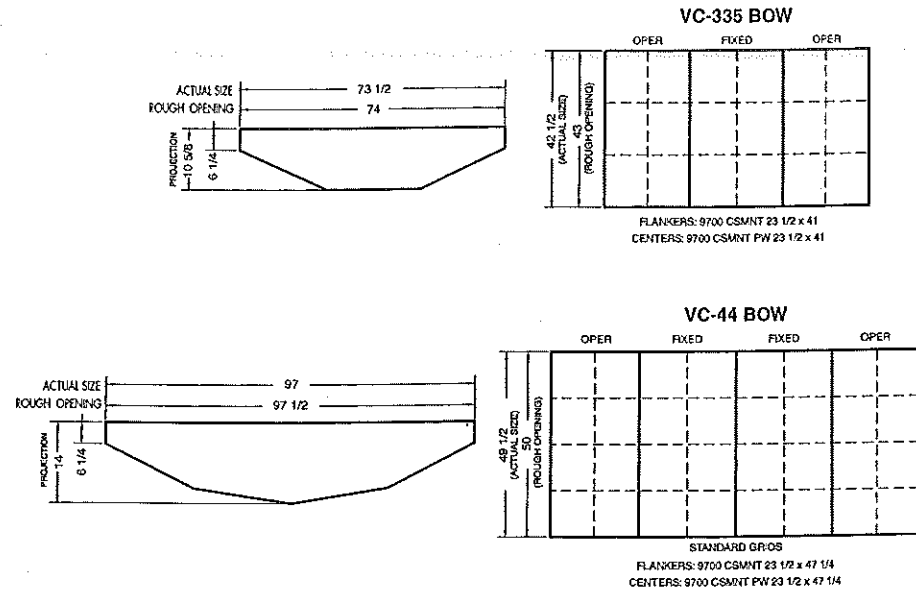
TEMPERED INSULATED GLASS



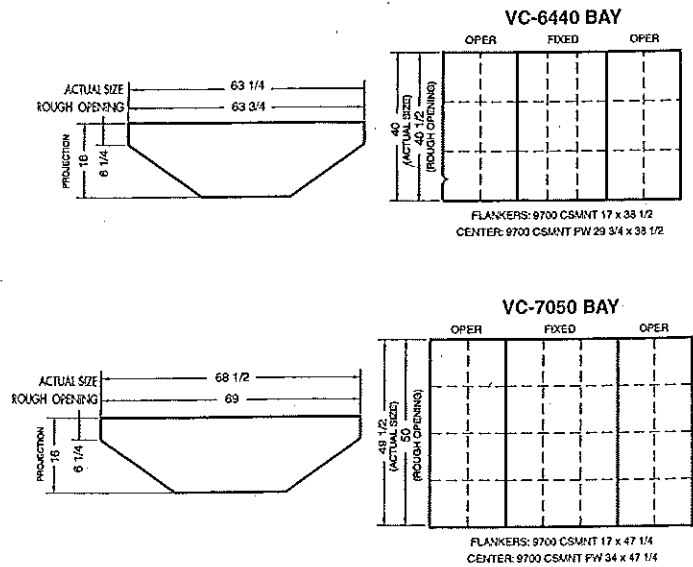
# 6000 SERIES

Vinyl Casement Bay & Bow Window

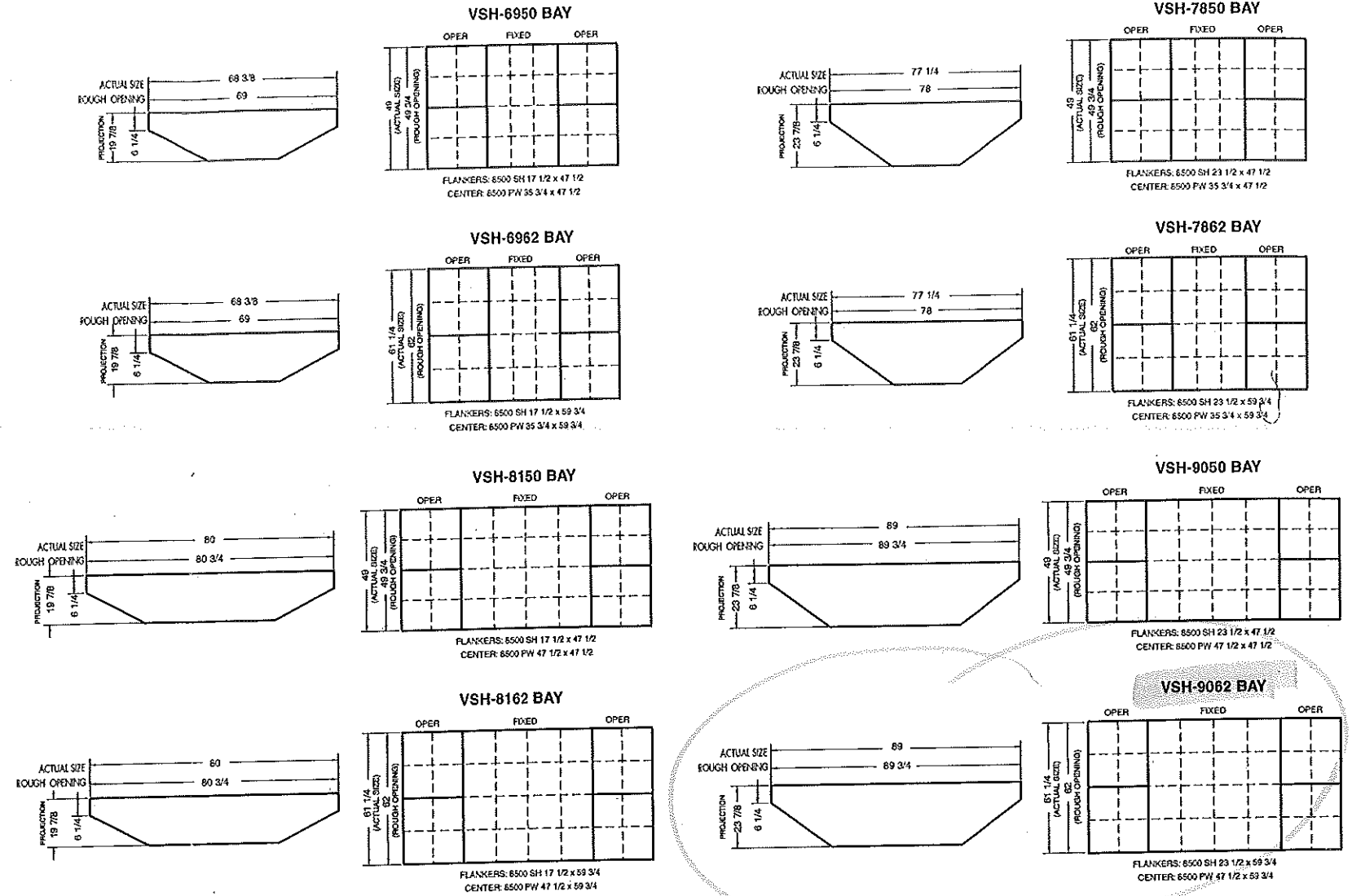
## 6000 SERIES CASEMENT BOW WINDOW



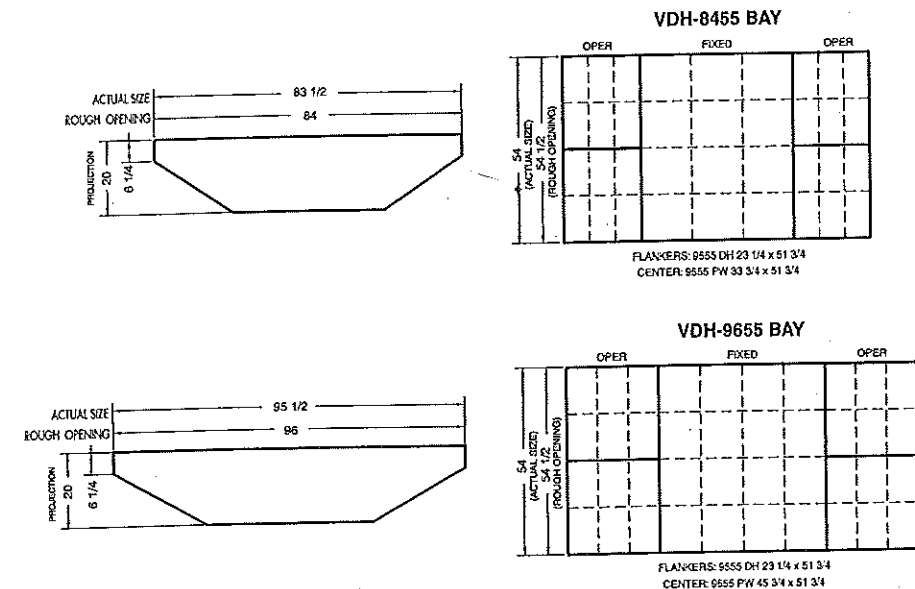
## 6000 SERIES CASEMENT 30° BAY WINDOW



## 6000 SERIES SINGLE HUNG 45° BAY WINDOW



## 6000 SERIES DOUBLE HUNG 45° BAY WINDOW



All VDH series units have 5/4" birch laminated plywood head and seat board  
 All VC series units (except VC335 & VC6440) have 5/4" birch laminated plywood head and seat board  
 VC335 and VC6440 units have 3/4" birch laminated plywood head and seat board  
 All VSH series units have 3/4" birch laminated plywood head and seat board  
 All VSH series units (except VSH-6950 & VSH-6962) are shipped with cable support system

All VDH, VSH, and VC series units are made standard with 6 1/4" side jambs (for use in typical 2x4 framing with 1/2" sheathing and 1/2" drywall)  
 8 1/4" side jambs are optional (for use in typical 2x6 framing with 1/2" sheathing and 1/2" drywall) and will increase listed projections by 2"  
 Projections shown are measured from extreme inside of unit to extreme outside of unit and are based on standard 6 1/4" side jambs  
 To calculate distance window projects on exterior of house, subtract overall wall thickness from overall window projection