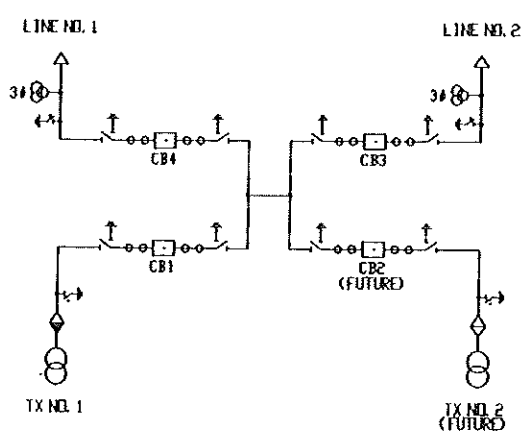


<p>THIS DRAWING AND ALL PREVIOUS ISSUES ARE THE SOLE PROPERTY OF THE POWERCON CORPORATION OF SEVERN, MARYLAND. NEITHER RECEIPT OF SAID DRAWING, NOR POSSESSION THEREOF, IMPLIES OR TRANSFERS ANY RIGHTS OR LICENSE TO USE THE DRAWINGS, OR THE SUBJECT MATTER, DESIGN OR TECHNICAL INFORMATION SHOWN HEREON, OR ANY RIGHT TO COPY OR OTHERWISE REPRODUCE THIS DRAWING OR ANY PART THEREOF. NEITHER THIS DRAWING NOR ANY INFORMATION CONTAINED THEREIN, MAY BE COPIED, REPRODUCED OR OTHERWISE USED WITHOUT FIRST OBTAINING WRITTEN AUTHORIZATION OF THE POWERCON CORPORATION. PRINTS ARE LOANED SUBJECT TO RETURN UPON DEMAND, AND THE PROCEEDS THEREOF SHALL BE USED FOR THE BENEFIT OF THE CORPORATION.</p>	<p>DESCRIPTIVE BULLETIN N/A</p>	<p>CUST. SHREWSBURY ELECTRIC LIGHT DEPT. P.O. NO. 6634</p>	<p>Powercon Corp. WEB SITE http://www.powerconcorp.com TITLE: OUTDOOR INSULATED POWER CONTROL COMPLEX ASSEMBLY FOR METAL-CLAD MEDIUM VOLTAGE SWITCHGEAR RATED 13.8KV, 3000A, 3PH, 3W, 60HZ, 95KV BIL STATION: ROLFE AVENUE SUBSTATION LOCATION: SHREWSBURY, MASSACHUSETTS</p>
	<p>SUMMARY S-16560</p>	<p>ENGR. G.D. MARINAKS DATE 11/08/01</p>	
	<p>FRONT VIEW D-11114</p>	<p>DATE 11/08/01</p>	
	<p>NAMEPLATE DWG. NP-10442</p>	<p>DATE 11/09/01</p>	
<p>SCHEMATIC DW-11766</p>	<p>DATE 11/09/01</p>	<p>APPD. G.D. MARINAKS DATE 11/09/01</p>	<p>DATE</p>



OPERATION METHOD

- CB : SPRING
- DS : MOTOR
- FAGS : MOTOR CHARGED SPRING
- GS : MANUAL

LEGEND

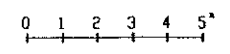
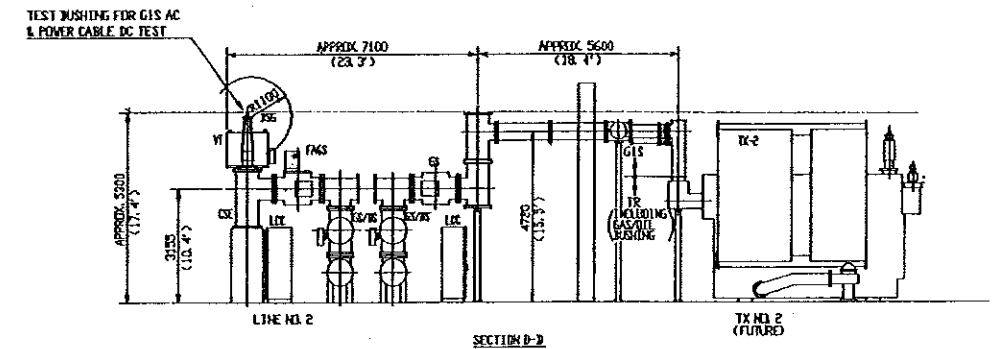
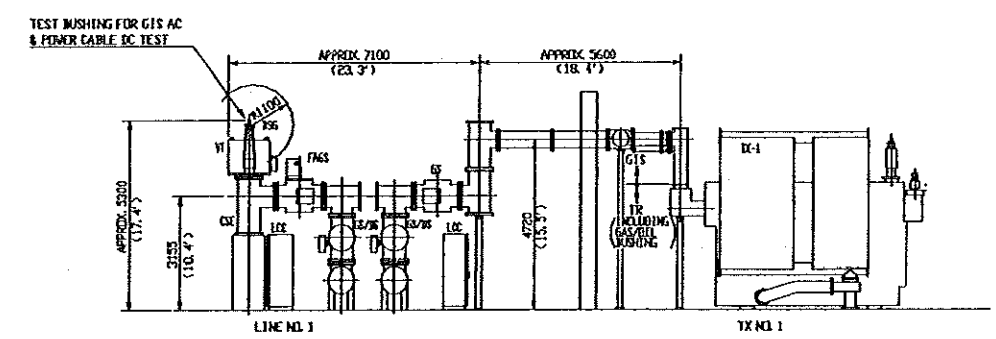
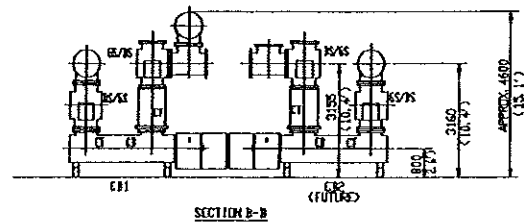
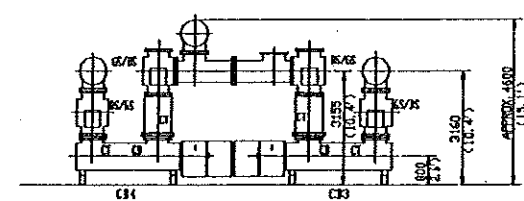
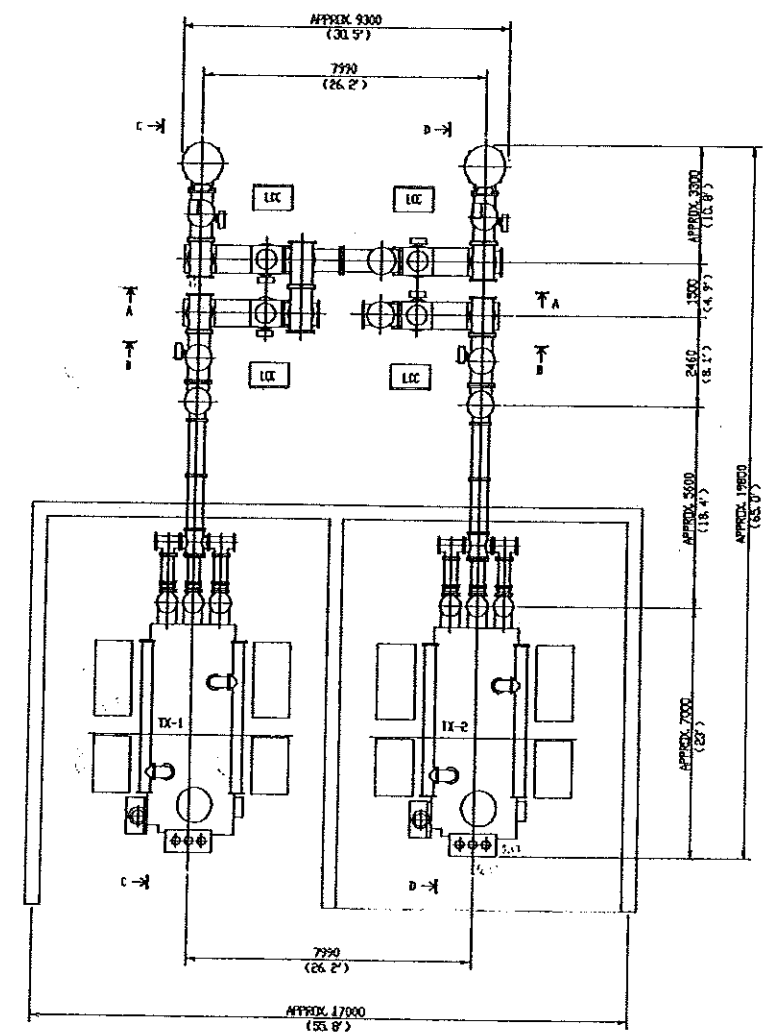
- CB : CIRCUIT BREAKER
- DS : DISCONNECTOR
- FAGS : FAST ACTING GROUNDING SWITCH
- GS : GROUNDING SWITCH
- CT : CURRENT TRANSFORMER
- VT : VOLTAGE TRANSFORMER
- LCC : LOCAL CONTROL CABINET
- TX : TRANSFORMER

RATINGS

- 1. RATED VOLTAGE 121 kV
- 2. RATED CURRENT:
 - MAIN BUSBAR 2500 A
 - LINE FEEDER 2500 A
- 3. RATED FREQUENCY 60 HZ
- 4. RATED WITHSTAND VOLTAGE:
 - LIGHTNING IMPULSE(PEAK) 650 kV
 - POWER FREQUENCY(R. M. S.) 230 kV
- 5. RATED SHORT-TIME CURRENT(3 SEC.) 40 kA
- 6. RATED BREAKING CURRENT 40 kA
- 7. RATED PEAK WITHSTAND CURRENT 104 kA

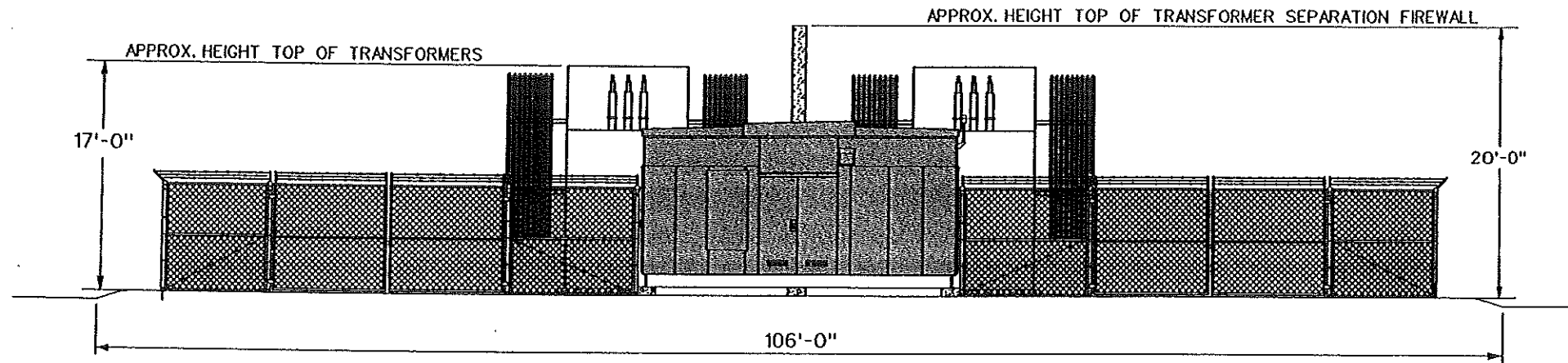
OPTION PLAN

PRELIMINARY

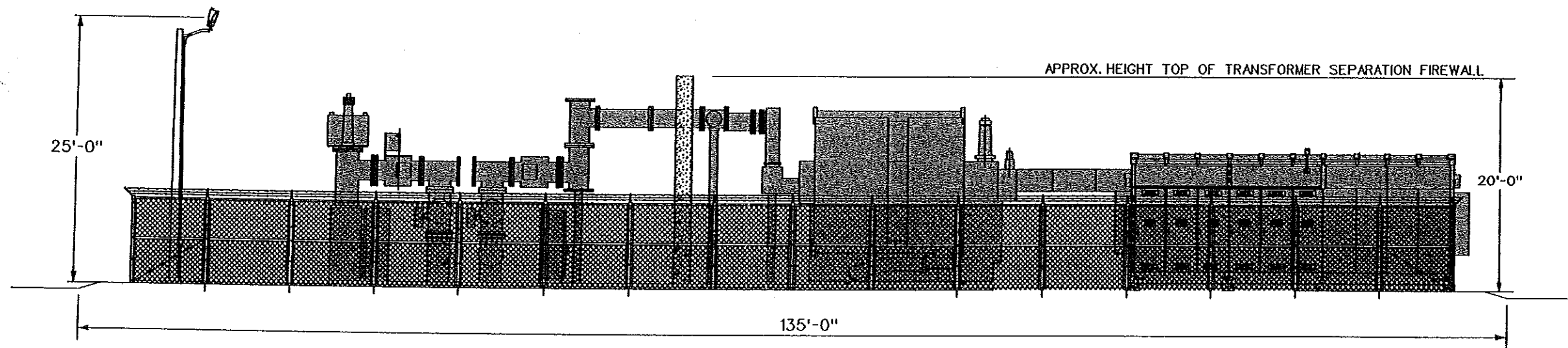


NO CHANGE

DIMENSION & ARRANGEMENT ARE SUBJECT TO CHANGE IN THE FINAL DESIGN.		R. DATE	DWG. SEC. SYN.	SPECIAL CODE		K. S. PRMT	DP. DIST.
NO. 1	NO. 2	24/SEP. '03	S30-5	BN3-11			
DESIGNED BY	DRAWN BY	APPROVED BY	CHECKED BY	TITLE			
R. YAMAKISHI	M. UKIYOSHII			LAYOUT OF 121KV GIS FOR CENTRAL MAIN POWER FOR RIVER SUBSTATION (OPTION PLAN)			
DRAWING NO.			REV. MARK				
U105140							



WEST COMMERCIAL ST. ELEVATION "A-A"



AUTO BODY SHOP ELEVATION "B-B"

**PRELIMINARY
FOR
PLANNING
PURPOSES**

OPTION C/S

ENG. CONTRACTOR	
REFERENCE DRAWINGS	

NO.	REVISION	DATE	BY	CK	P. E. Exp.	P. E. No.

DESIGNED M/S	GENERAL ARRANGEMENT ELEVATION CIAMBRO SITE FORE RIVER S/S
DRAWN M/S	
CHECKED M/S	
APPROVED	
REVIEWED	CENTRAL MAINE POWER COMPANY SUBSTATION ENGINEERING SCALE 3/16"=1'-0" DATE 12/01/03
	956-2-2 SH



(Joins sheet 82)

HIC

PORTLAND

SOUTH PORTLAND

Pleasantdale

UPTOWN

HIGHLAND MEMORIAL PARK

GRAVEL PIT

Wa

EmB

WrB

HrB

HrC

(Joins sheet 90)

(Joins sheet 87)

(Joins sheet 85)

Scale 1:20 000
(Joins sheet 85)

Scale 1:20 000

5 000 Feet

1 Mile
5 000 Feet

0 1 000 2 000 3 000 4 000 5 000

0 1/4 1/2 3/4 1 000 2 000 3 000 4 000 5 000

281 000 FEET


297 000 FEET

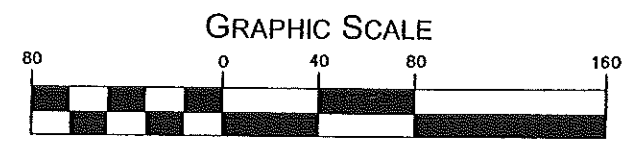
297 000 FEET

465 000 FEET

415 000 FEET

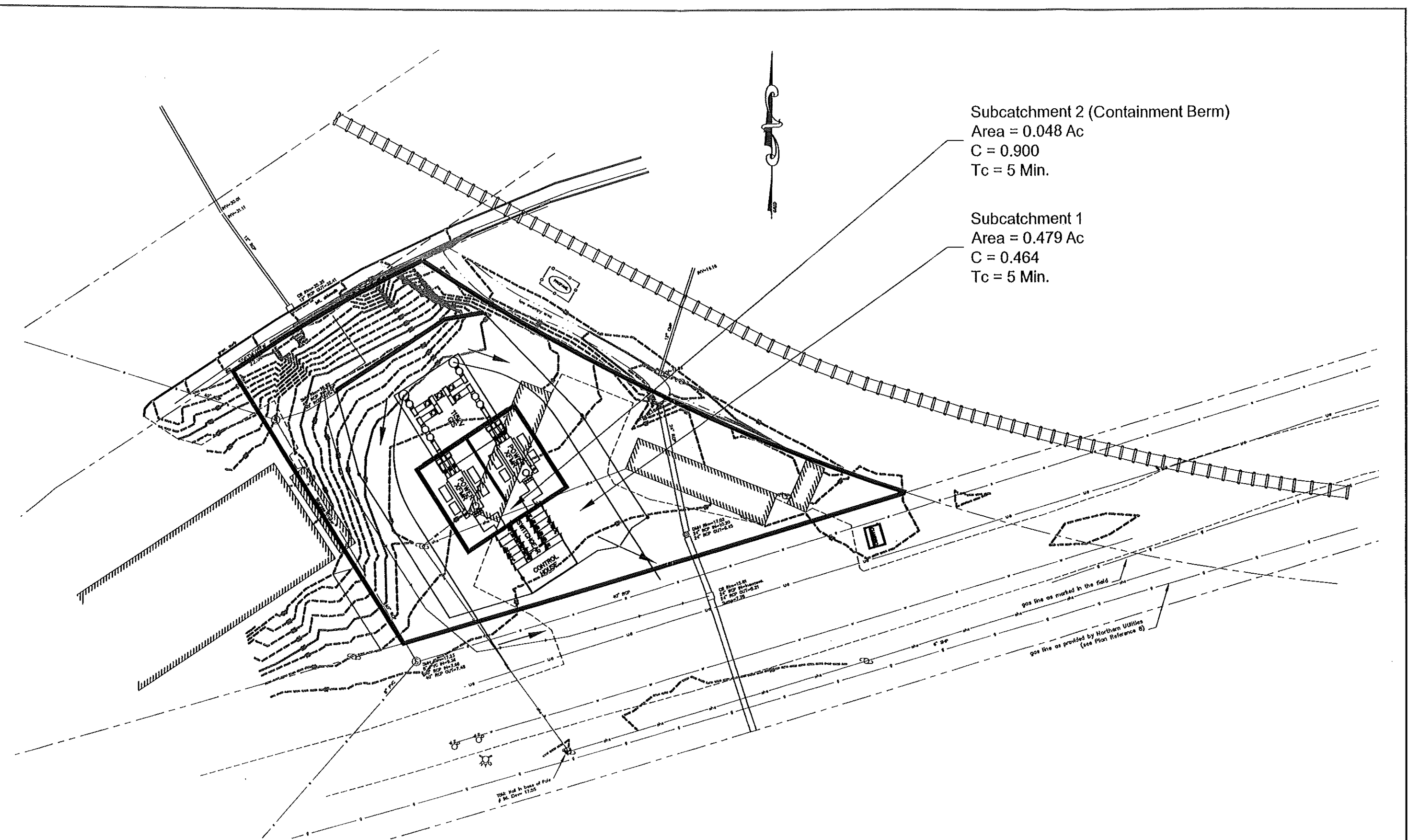
FILE: V:\A431_CWP\CADD\Figures\1431-draimage.dwg

 THE Louis Berger Group, INC.
1001 Elm Street, Suite 300
Manchester, NH 03101



Subcatchment 2 (Containment Berm)
Area = 0.048 Ac
C = 0.900
Tc = 5 Min.

Subcatchment 1
Area = 0.479 Ac
C = 0.464
Tc = 5 Min.



Post Development Drainage Area Plan	
February 2004	Figure 3