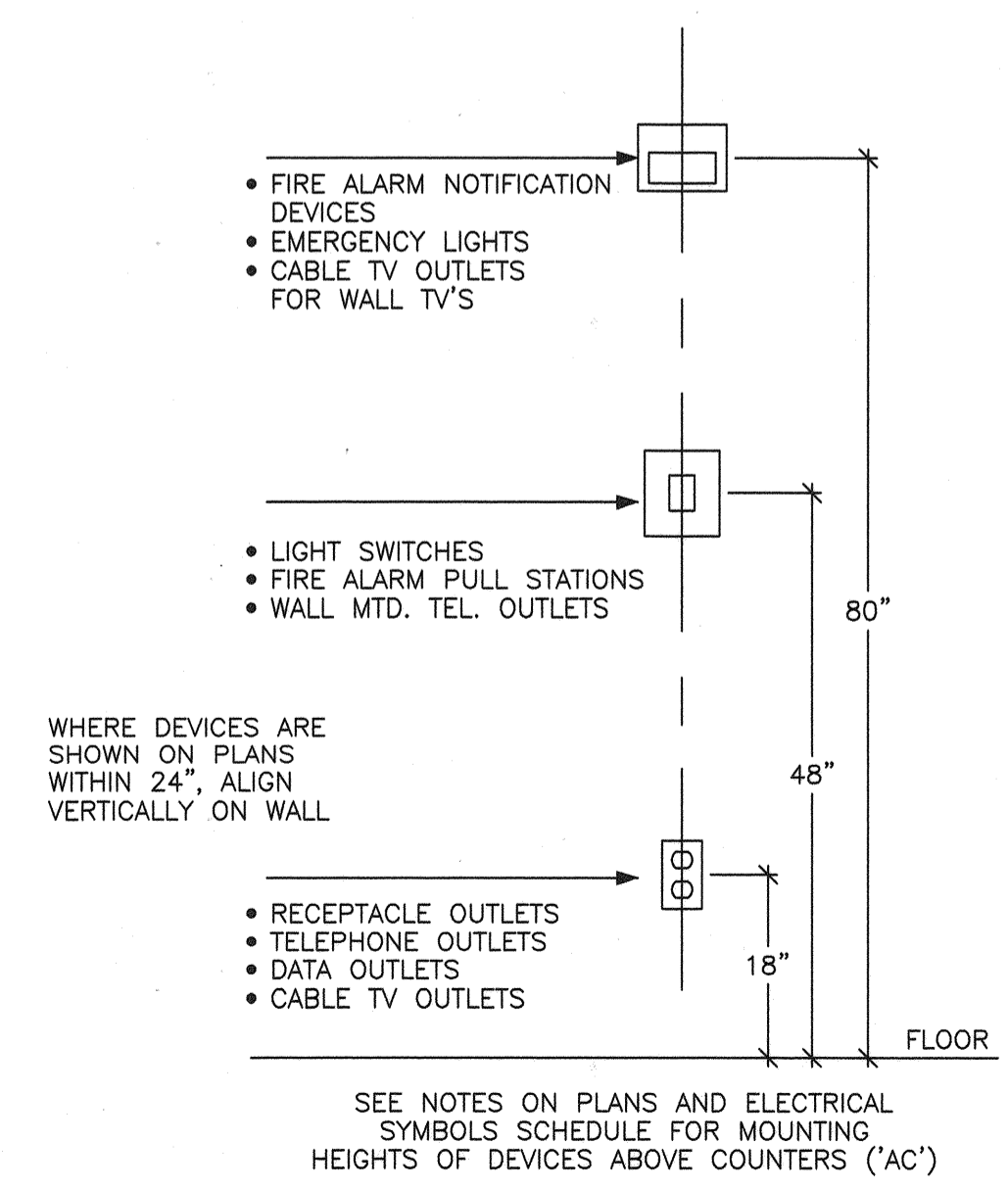
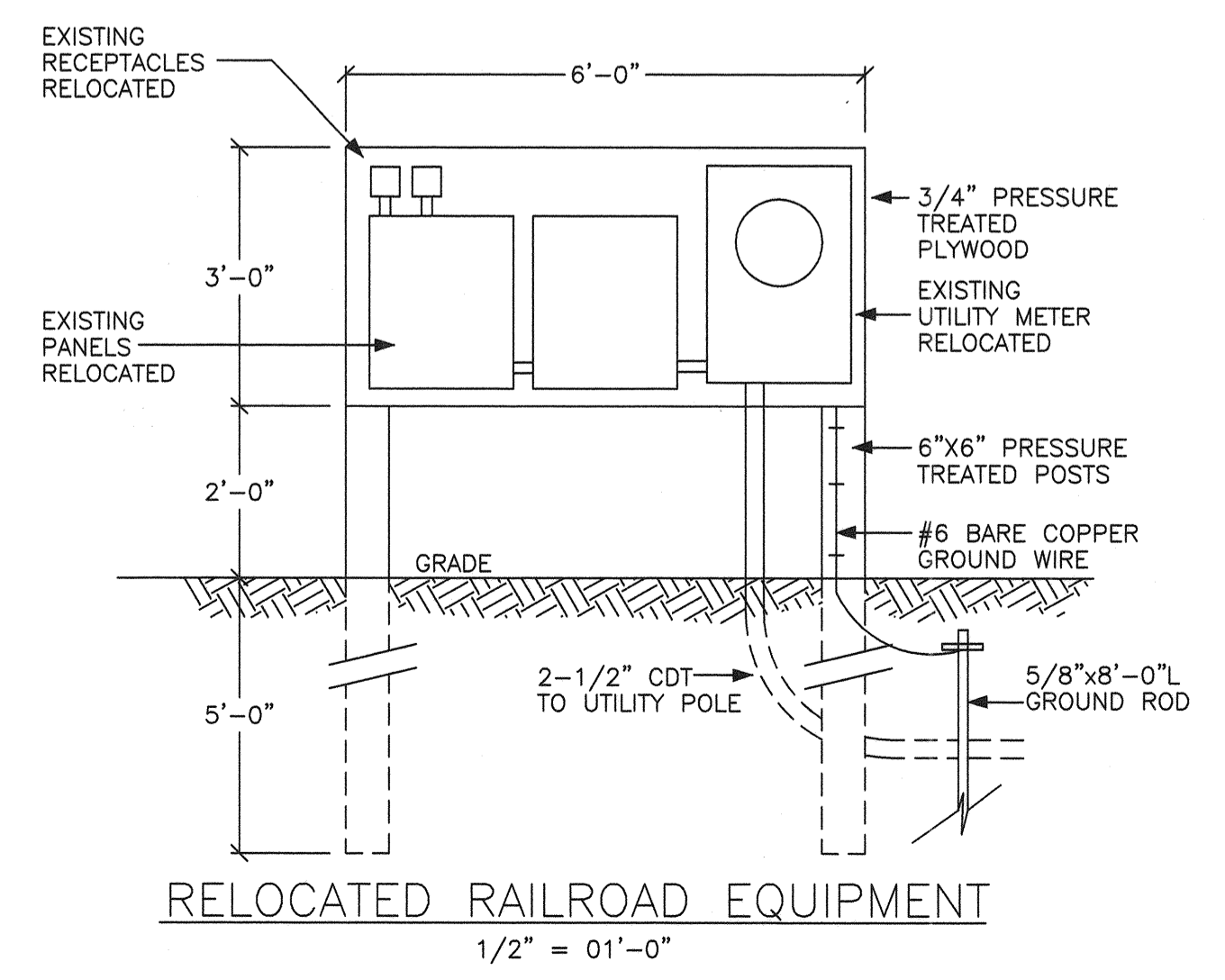
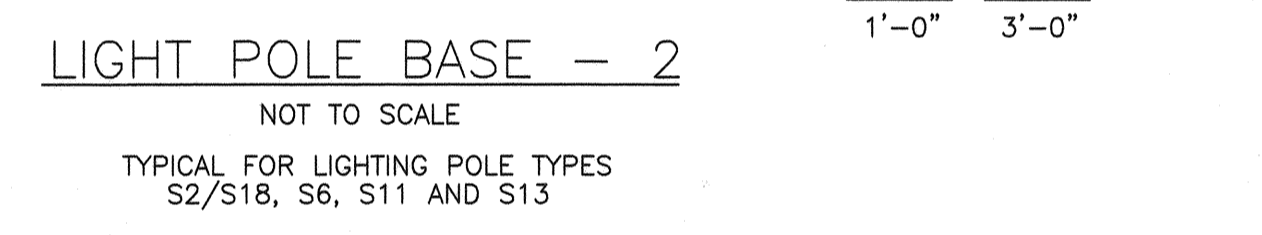
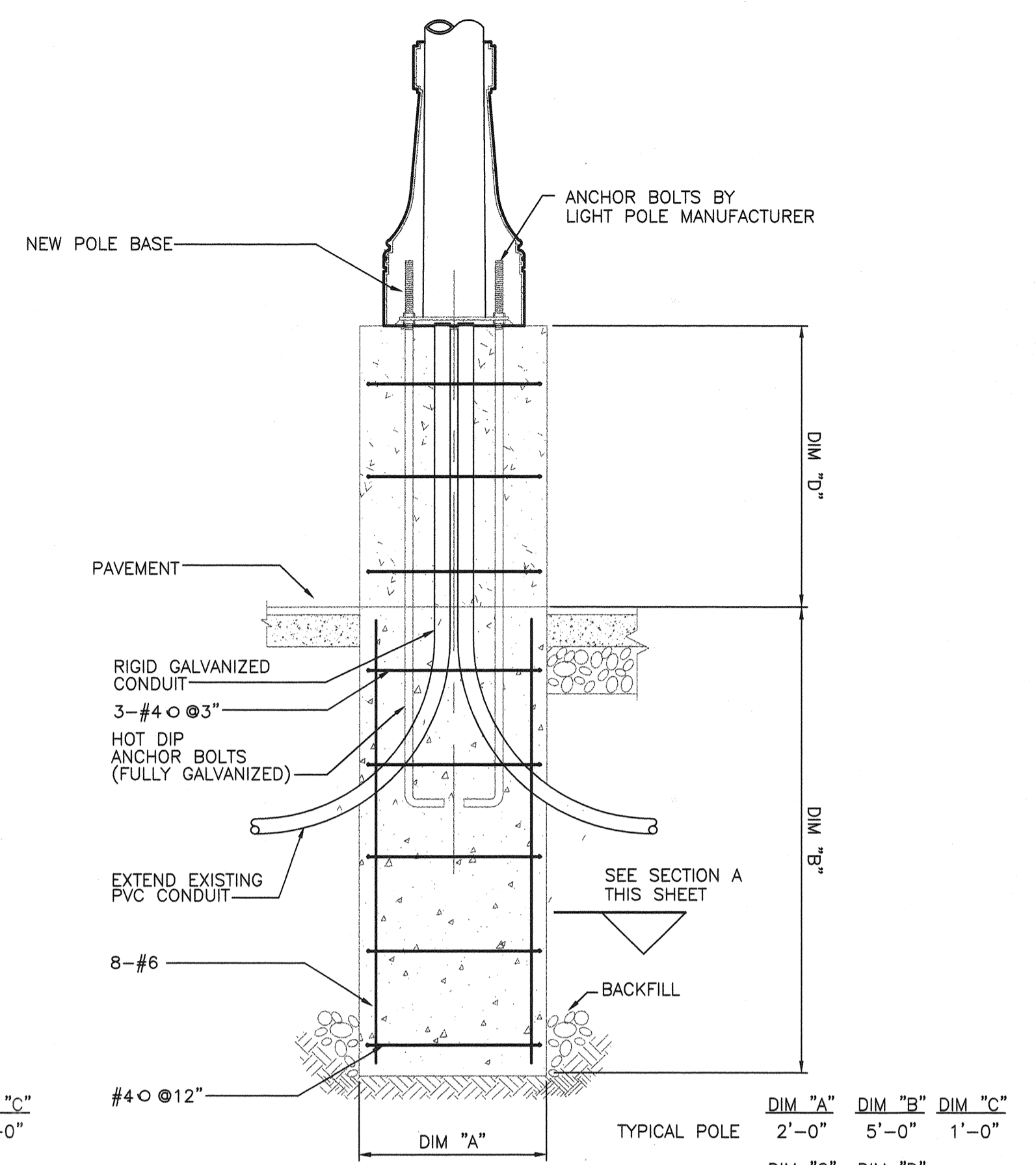
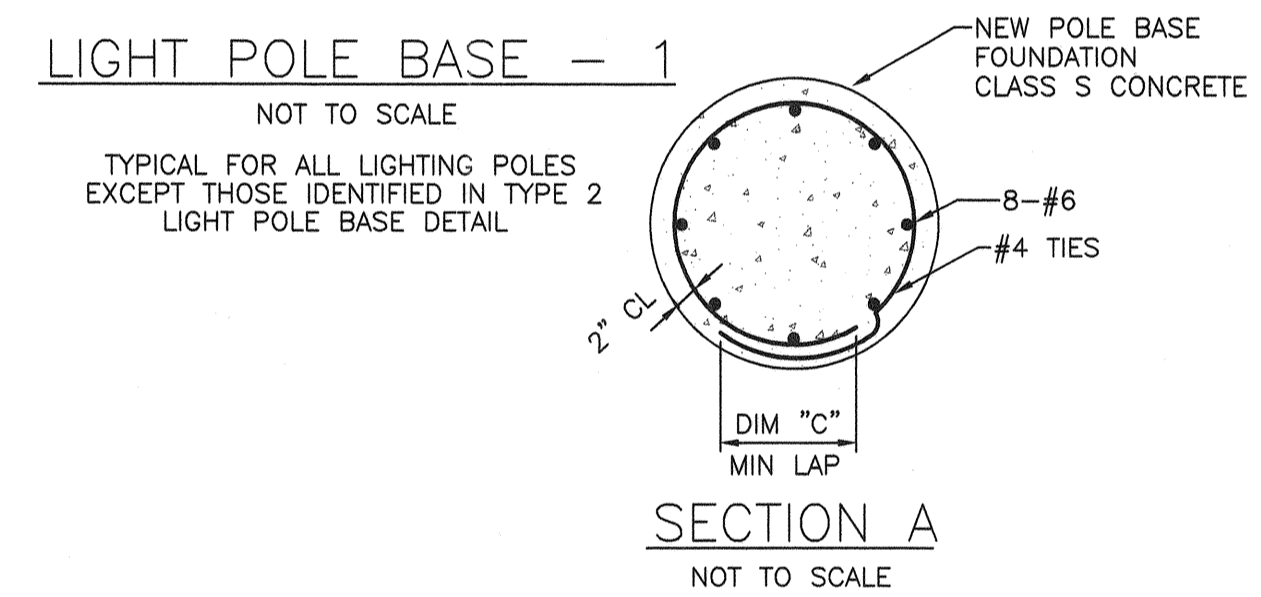
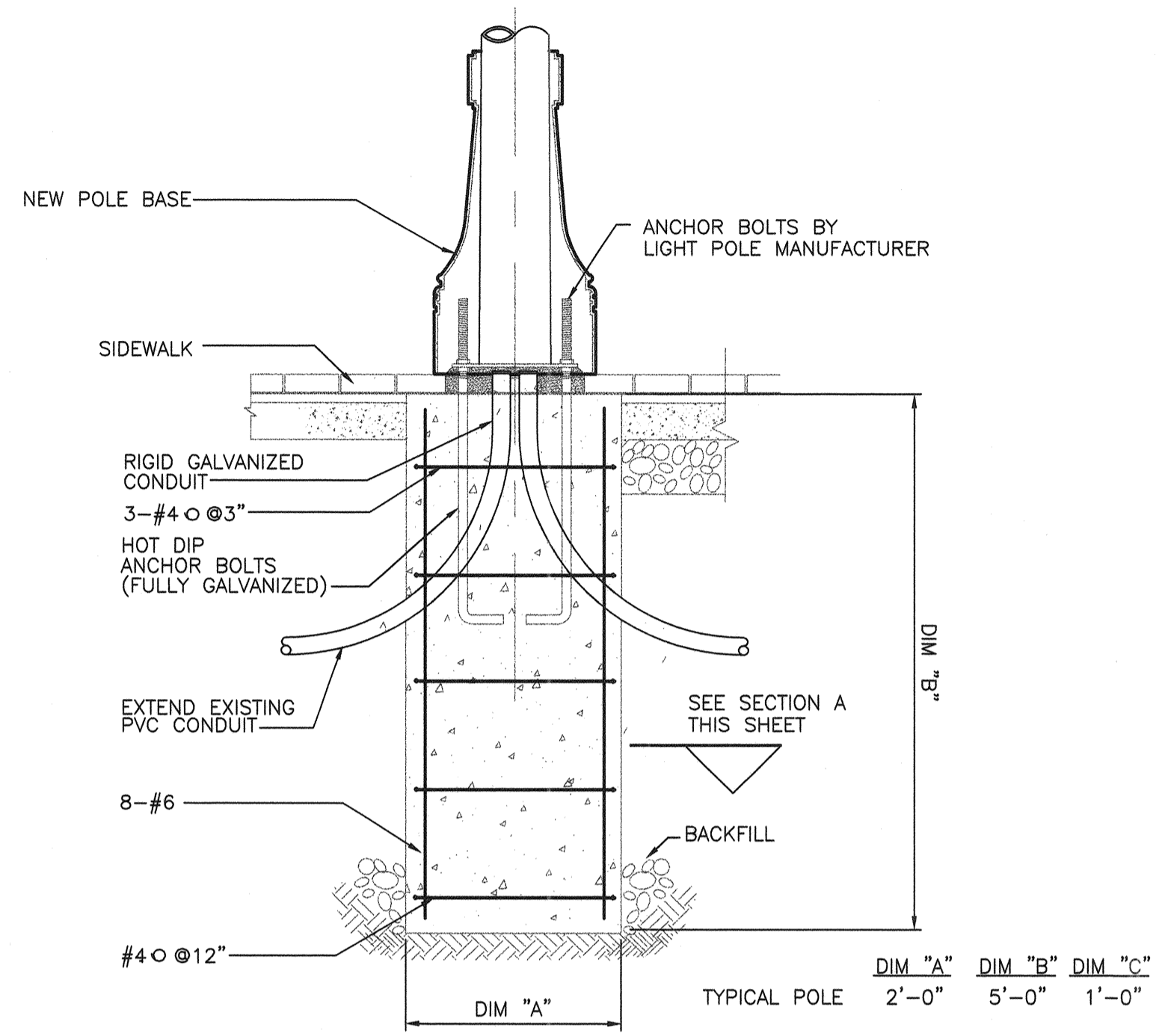


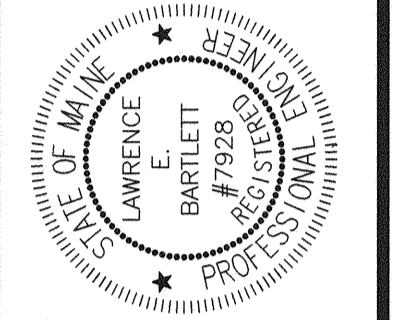
ELECTRICAL PLAN SYMBOLS

SYMBOL	DESCRIPTION	SYMBOL	DESCRIPTION
	125V, 20A, DUPLEX GROUNDED RECEPTACLE GFI = Ground Fault Interrupt AC = 6" Above Counter or Sink WP = Weatherproof TR = Technology Receptacle		RECESSED/SURFACE MOUNTED 1X4 LIGHTING FIXTURE Fixture Designation Switching Control Designation (See Lighting Fixture Schedule for Details) Hatch Pattern Indicates Emergency Circuit
	RECEPTACLE INSTALLED IN RECESSED FLOOR BOX		RECESSED/SURFACE MOUNTED 2X4 LIGHTING FIXTURE Fixture Designation Switching Control Designation (See Lighting Fixture Schedule for Details) Hatch Pattern Indicates Emergency Circuit
	QUAD RECEPTACLE		RECESSED/SURFACE MOUNTED 2X2 LIGHTING FIXTURE Fixture Designation Switching Control Designation (See Lighting Fixture Schedule for Details) Hatch Pattern Indicates Emergency Circuit
	FLOOR MOUNTED QUAD RECEPTACLE		RECESSED/SURFACE MOUNTED CIRCULAR LIGHTING FIXTURE Fixture Designation Switching Control Designation (See Lighting Fixture Schedule for Details) Hatch Pattern Indicates Emergency Circuit
	250V, SINGLE GROUNDED RECEPTACLE Indicates Ampere Rating		RECESSED/SURFACE MOUNTED ACCENT LIGHTING FIXTURE Fixture Designation Switching Control Designation (See Lighting Fixture Schedule for Details)
	DUPLEX DATA PROCESSING OUTLET		WALL MOUNTED LIGHTING FIXTURE Fixture Designation Switching Control Designation (See Lighting Fixture Schedule for Details)
	DATA OUTLET INSTALLED IN RECESSED FLOOR BOX		WALL MOUNTED EMERGENCY LIGHTING FIXTURE Fixture Designation (See Lighting Fixture Schedule for Details)
	TELEPHONE OUTLET W = Wall Mounted Height 48"		CEILING MOUNTED EMERGENCY LIGHTING FIXTURE Fixture Designation (See Lighting Fixture Schedule for Details)
	TELEPHONE OUTLET INSTALLED IN RECESSED FLOOR BOX		WALL MOUNTED EXIT SIGN Fixture Designation (See Lighting Fixture Schedule for Details) Provide Directional Arrows as Indicated on Plans
	COMBINATION DATA/TELEPHONE OUTLET		CEILING MOUNTED EXIT SIGN Fixture Designation (See Lighting Fixture Schedule for Details) Provide Directional Arrows as Indicated on Plans
	RECESSED FLOOR BOX (Contents May Vary, See Plan for Details)		LIGHTING/DEVICE SWITCH 3 = Three-Way Type 4 = Four-Way Type WP = Weatherproof PL = Pilot Light Switching Control Designation (See Plans for Details)
	CABLE TELEVISION OUTLET		LIGHTING DIMMER 3 = Three-Way Type 4 = Four-Way Type Switching Control Designation (See Plans for Details)
	JUNCTION BOX		TEMPERATURE CONTROL PANEL Provided Under Div 15 Wired Under Div 16
	WALL MOUNTED JUNCTION BOX		VARIABLE FREQUENCY DRIVE Provided Under Div 15 Wired Under Div 16
	CONTROL PANEL (See Plan for Details)		MOTOR OPERATED DAMPER Provided Under Div 15 Wired Under Div 16
	ELECTRICAL PANELBOARD (See Plan for Details and Mounting)		HOMERUN TO PANELBOARD Indicates No. of Wires, Excluding Ground Circuit No. Panelboard Designation
	DOOR HOLDER		PUSHBUTTON STATION
	MOTOR STARTER		
	UNFUSED DISCONNECT SWITCH FU = Fused No. of Poles Ampere Rating		
	MANUAL MOTOR STARTER		
	DOORBELL		
	PUSHBUTTON		
	SECURITY SYSTEM MOTION DETECTOR		
	SECURITY SYSTEM CCTV CAMERA		
	SECURITY SYSTEM CARD READER		
	SECURITY SYSTEM KEYPAD		
	FIRE ALARM AUDIO/VISUAL INDICATOR Indicates Visual Only, No Horn Candela Rating		
	FIRE ALARM PULL STATION		
	FIRE ALARM HEAT DETECTOR		
	FIRE ALARM SMOKE DETECTOR Indicates Duct Mounted		
	FIRE ALARM WALL MOUNTED SMOKE DETECTOR		
	FIRE ALARM TAMPER SWITCH		
	FIRE ALARM FLOW SWITCH		
	PROJECTION SPEAKER		
	WALL MOUNTED SPEAKER		
	CEILING MOUNTED SPEAKER		
	COMBINATION SPEAKER/CLOCK		
	CLOCK		
	MICROPHONE OUTLET		
	FLOOR MOUNTED MICROPHONE OUTLET		
	INTERCOM CALL STATION		



Bartlett Design
LIGHTING & ELECTRICAL ENGINEERING
142 WESTBOROUGH STREET, SUITE 400
TEL. (807) 449-0447 FAX (807) 449-0800

STATE OF MAINE
DEPARTMENT OF TRANSPORTATION
PROJECT NUMBER 009215.00
PIN 009215.00



Lawrence C. Bartlett
SIGNATURE
7/9/08
P.E. NUMBER
16/27/04
DATE

PROJ. MANAGER	PAUL POTTE	DATE
DESIGN-DETAILED	J.C.	
CHECKED-REVIEWED	L.E.B.	
DESIGN-DETAILED2		
DESIGN-DETAILED3		
REVISIONS 1		
REVISIONS 2		
REVISIONS 3		
REVISIONS 4		
FIELD CHANGES		

CITY OF PORTLAND
OCEAN GATEWAY PHASE 1
ELECTRICAL DETAILS

E302