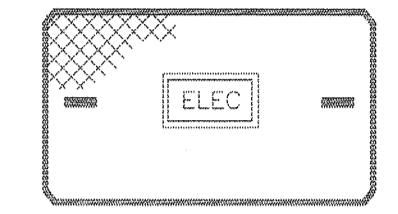
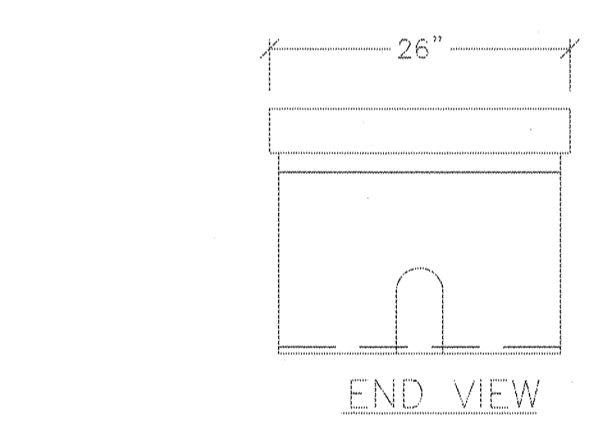
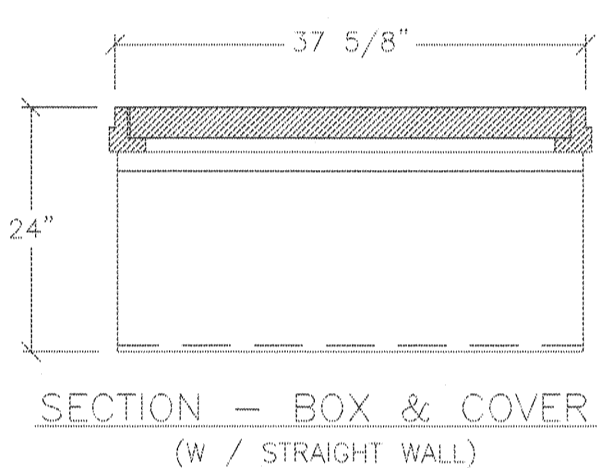
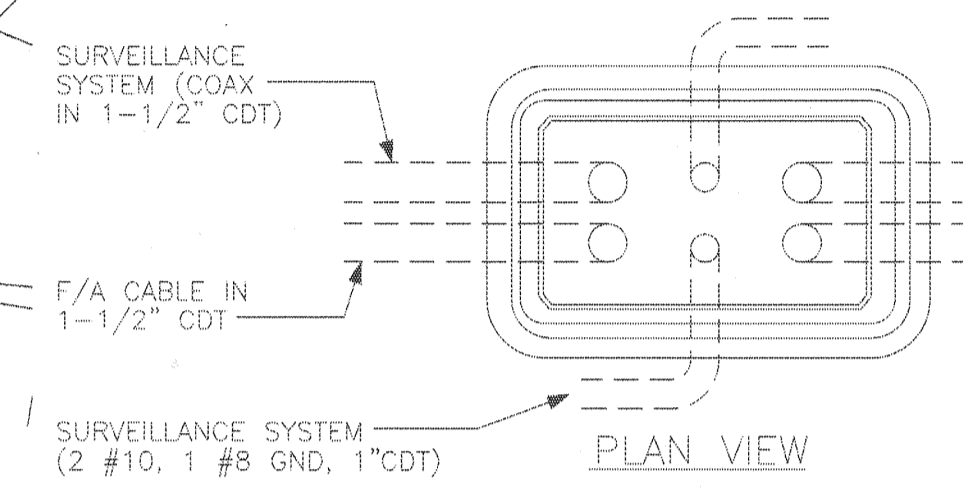


ELECTRICAL SITE NOTES:
1. SEE SHEET E201 FOR ELECTRICAL SITE NOTES.



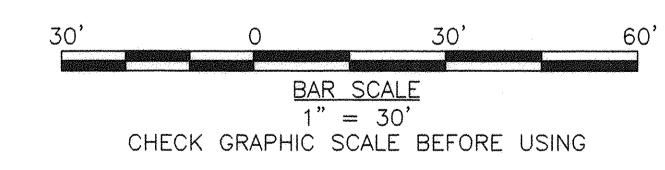
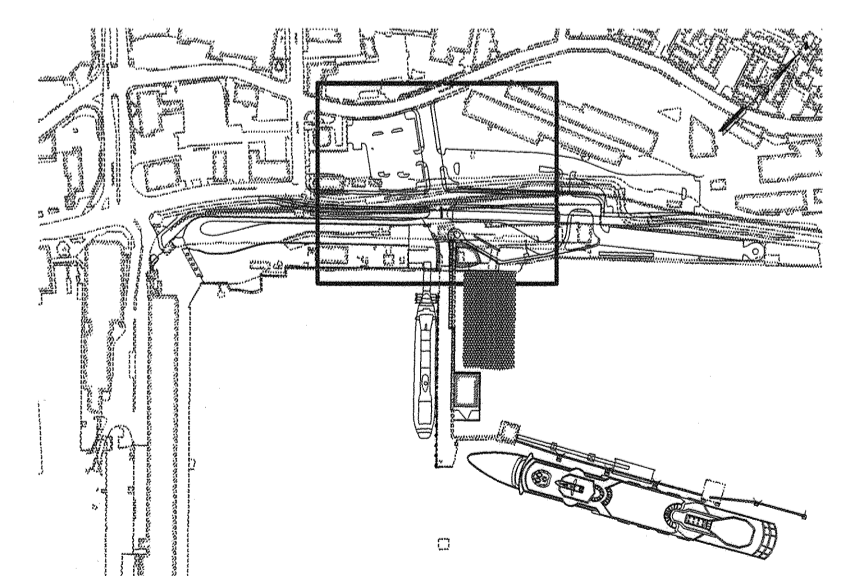
COVER



PULL BOX DETAIL
NOT TO SCALE

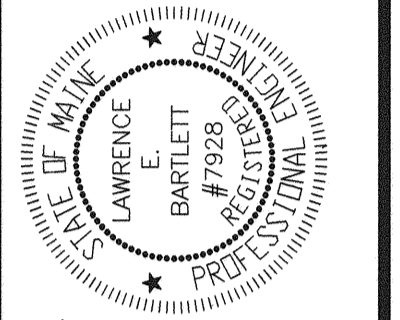
- NOTES
- BOXES AND COVERS SHALL BE RATED FOR VEHICLE TRAFFIC.
 - PROVIDE 8" GRAVEL BASE MINIMUM UNDER ALL BOXES.

KEY PLAN



Bartlett Design
LIGHTING & ELECTRICAL ENGINEERING
382 WASHINGTON STREET, PORTLAND, ME 04103
TEL: (607) 443-8447 FAX: (607) 443-8680

STATE OF MAINE
DEPARTMENT OF TRANSPORTATION
PROJECT NUMBER 009215.00
PIN 009215.00



Lawrence E. Bartlett
SIGNATURE
7/9/28
P.E. NUMBER
10/27/04
DATE

PROJ. MANAGER	PAUL POTLE	DATE
DESIGN-DETAILED	LEB	10/27/04
CHECKED-REVIEWED	LEB	
DESIGN-2-DETAILED2	LEB	
DESIGN-3-DETAILED3		
REVISIONS 1		
REVISIONS 2		
REVISIONS 3		
REVISIONS 4		
FIELD CHANGES		

CITY OF PORTLAND
OCEAN GATEWAY PHASE 1
ELECTRICAL SITE
LIGHTING/DISTRIBUTION - 2