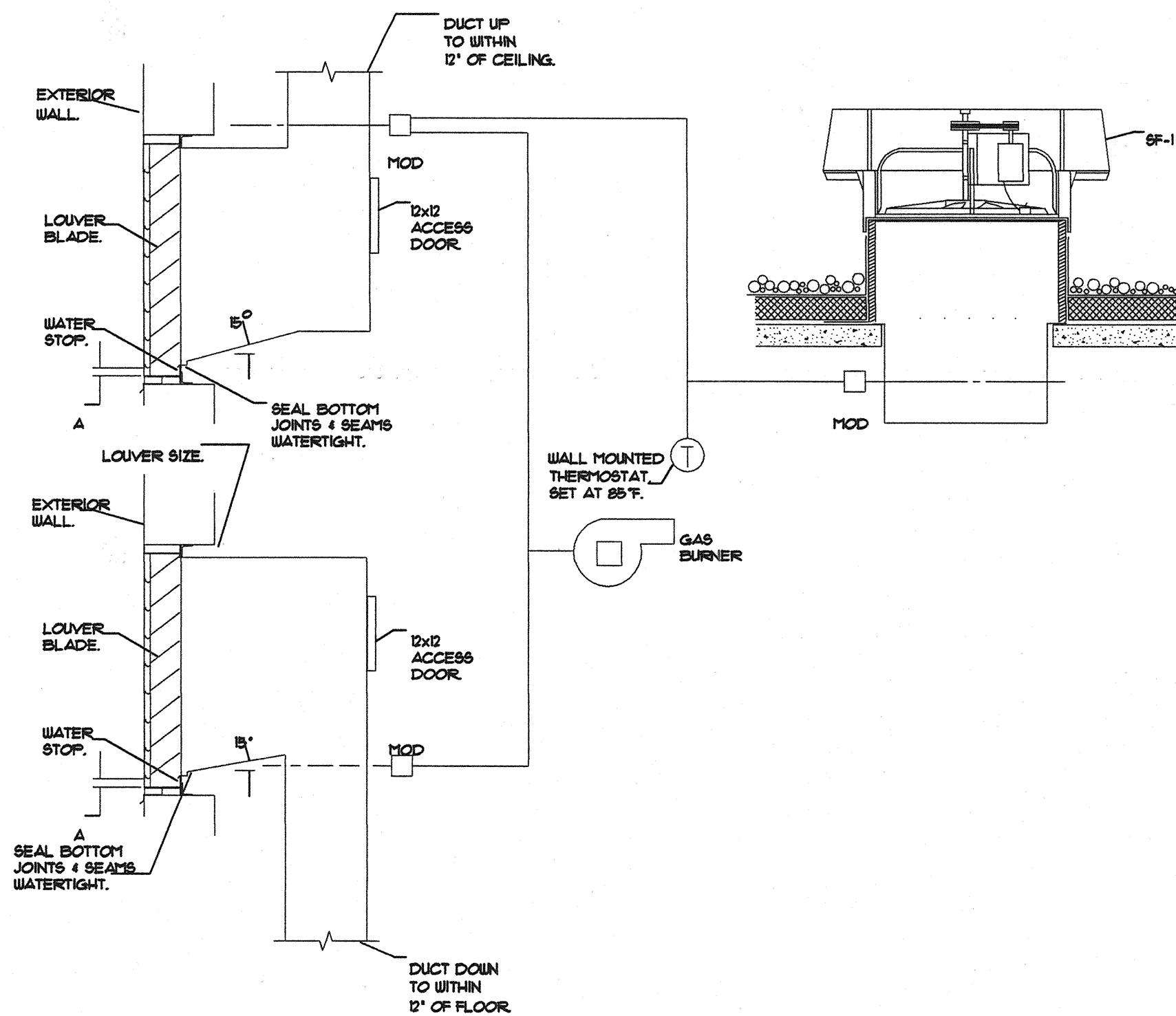
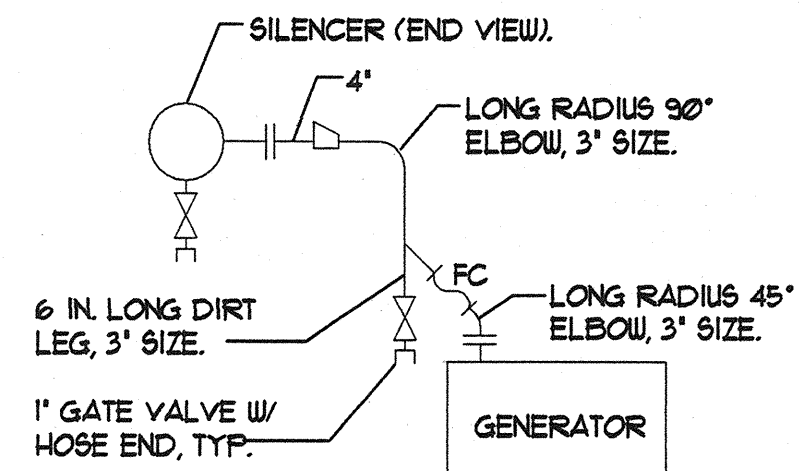


**STACK DETAIL**  
NTS



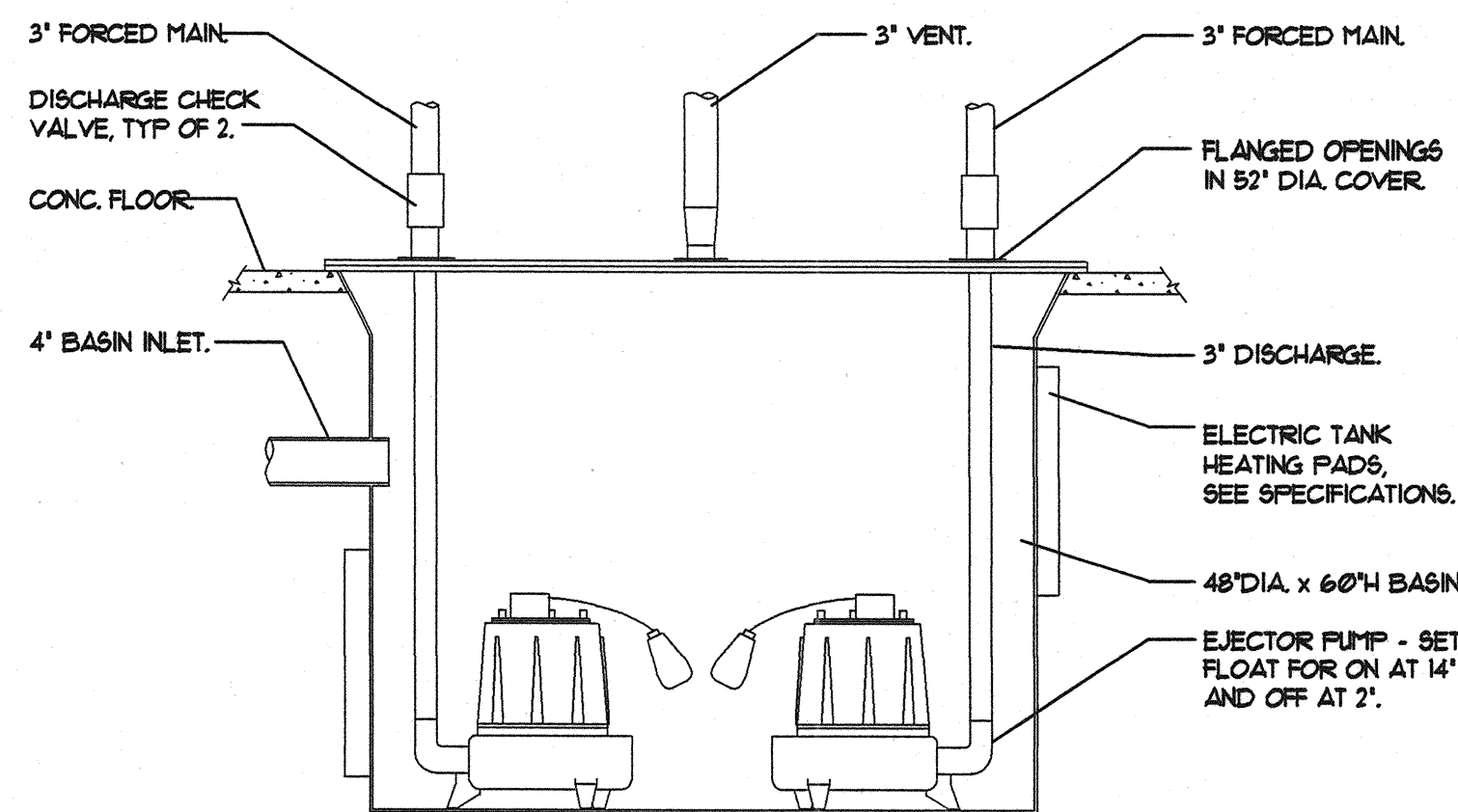
**COMBUSTION AIR INTAKE DETAIL**  
NTS  
TYPICAL OF EACH BUILDING

- NOTES:
1. IF DIMENSION 'A' IS LESS THAN 1 INCH, SEE MODIFIED LOUVER DETAIL THIS SHEET.
  2. LOUVER MOD'S SHALL OPEN FOR COMBUSTION AIR.
  3. MOD SERVING UPPER LOUVER AND MOD SERVING SF-1 SHALL OPEN AND SF-1 SHALL ENERGIZE AT SPACE TEMPERATURES ABOVE 85°F (ADJUSTABLE).

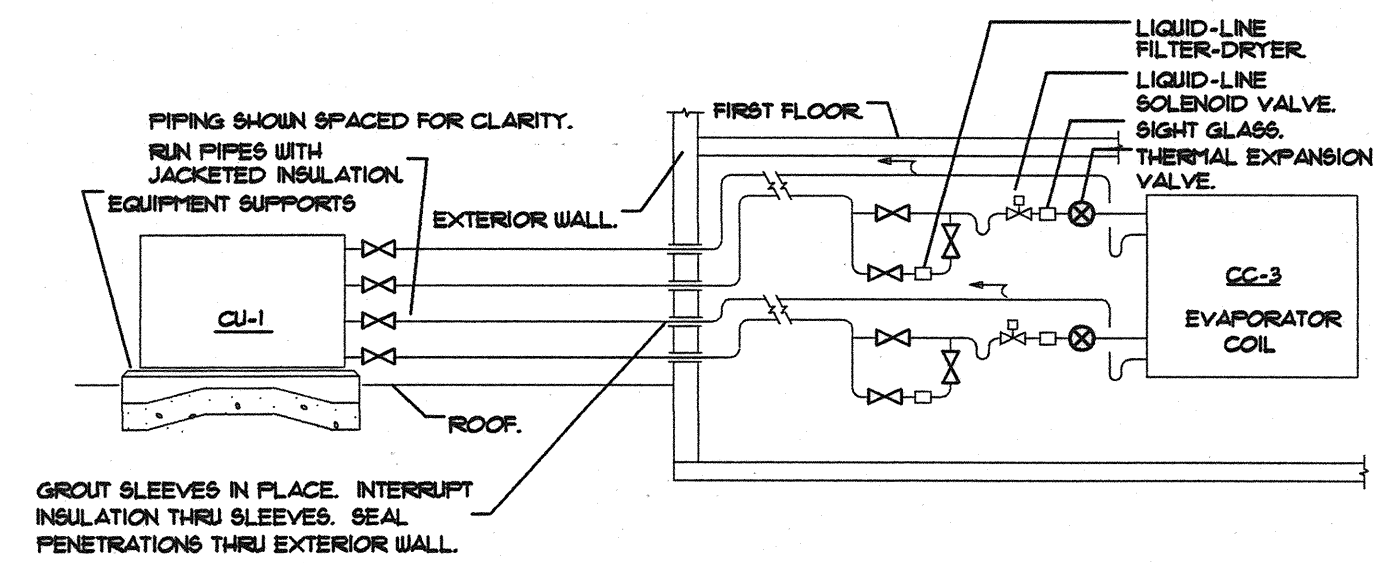


NOTE: SILENCER AND FLEXIBLE CONNECTION SHALL BE FURNISHED WITH GENERATOR (DIVISION 16), INSTALLED UNDER DIVISION 15.

**EXHAUST PIPING SCHEMATIC**  
NTS

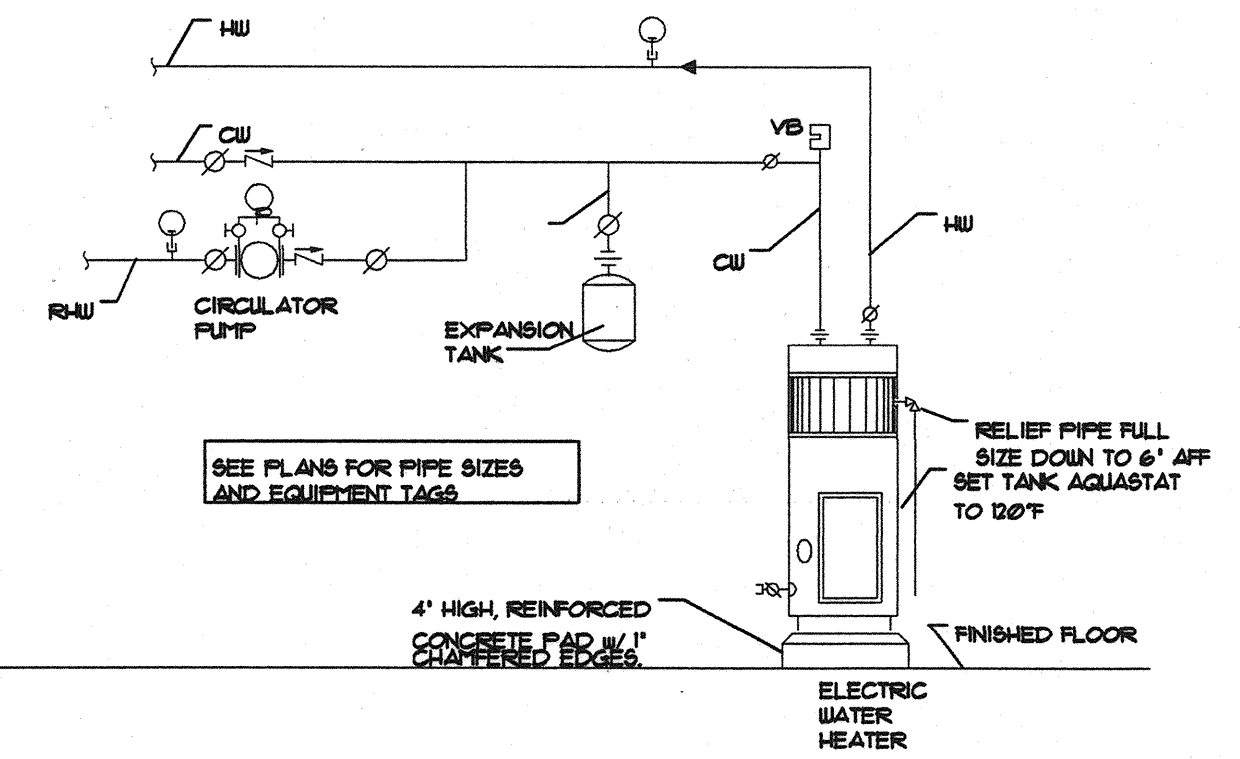


**DUPLEX SEWAGE EJECTOR DETAIL**  
NTS

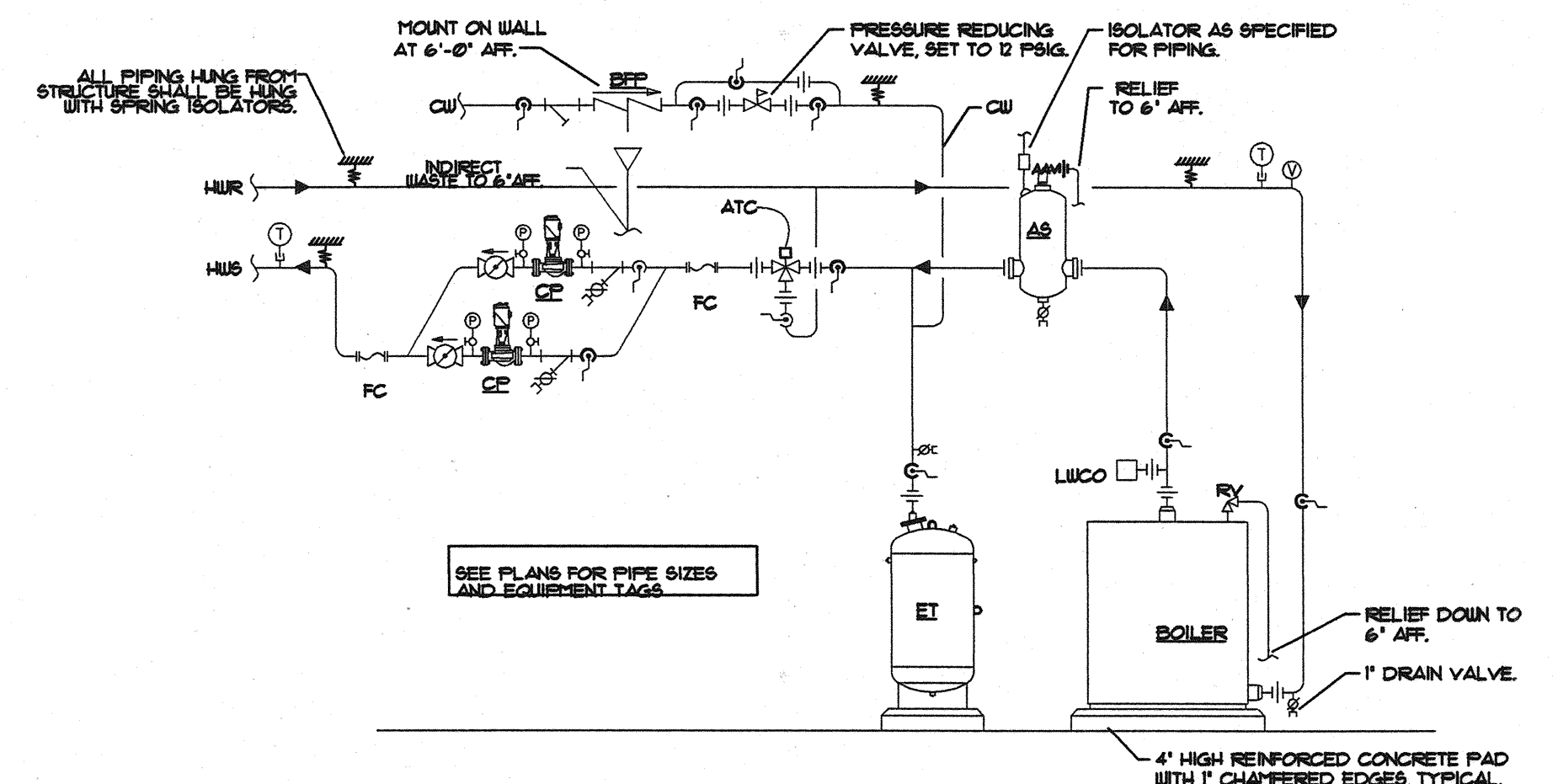


**REFRIGERANT PIPING DETAIL (ALTERNATE NO. 3)**  
NTS

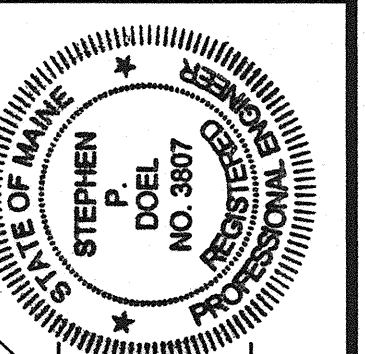
NOTE: USE FLEXIBLE CONNECTIONS AT AIR HANDLER AND CONDENSING UNIT IF THESE UNITS ARE EXTERNALLY VIBRATION ISOLATED.



**DOMESTIC HOT WATER PIPING SCHEMATIC**  
NTS  
TYPICAL AT EACH BUILDING



**BOILER PIPING SCHEMATIC**  
NTS



SIGNATURE  
STEPHEN P. DOEL  
NO. 3807  
P.E. NUMBER  
10/5/04  
DATE

PROJ. MANAGER	PAUL POTTLE	DATE	BY	DATE
DESIGN-DETAILED	SMR	10/20/04	SP	DOEL
CHECKED-REVIEWED	SMR	10/09/07	SP	DOEL
DESIGN2-DETAILED2				
DESIGN3-DETAILED3				
REVISIONS 1				
REVISIONS 2				
REVISIONS 3				
REVISIONS 4				
FIELD CHANGES				