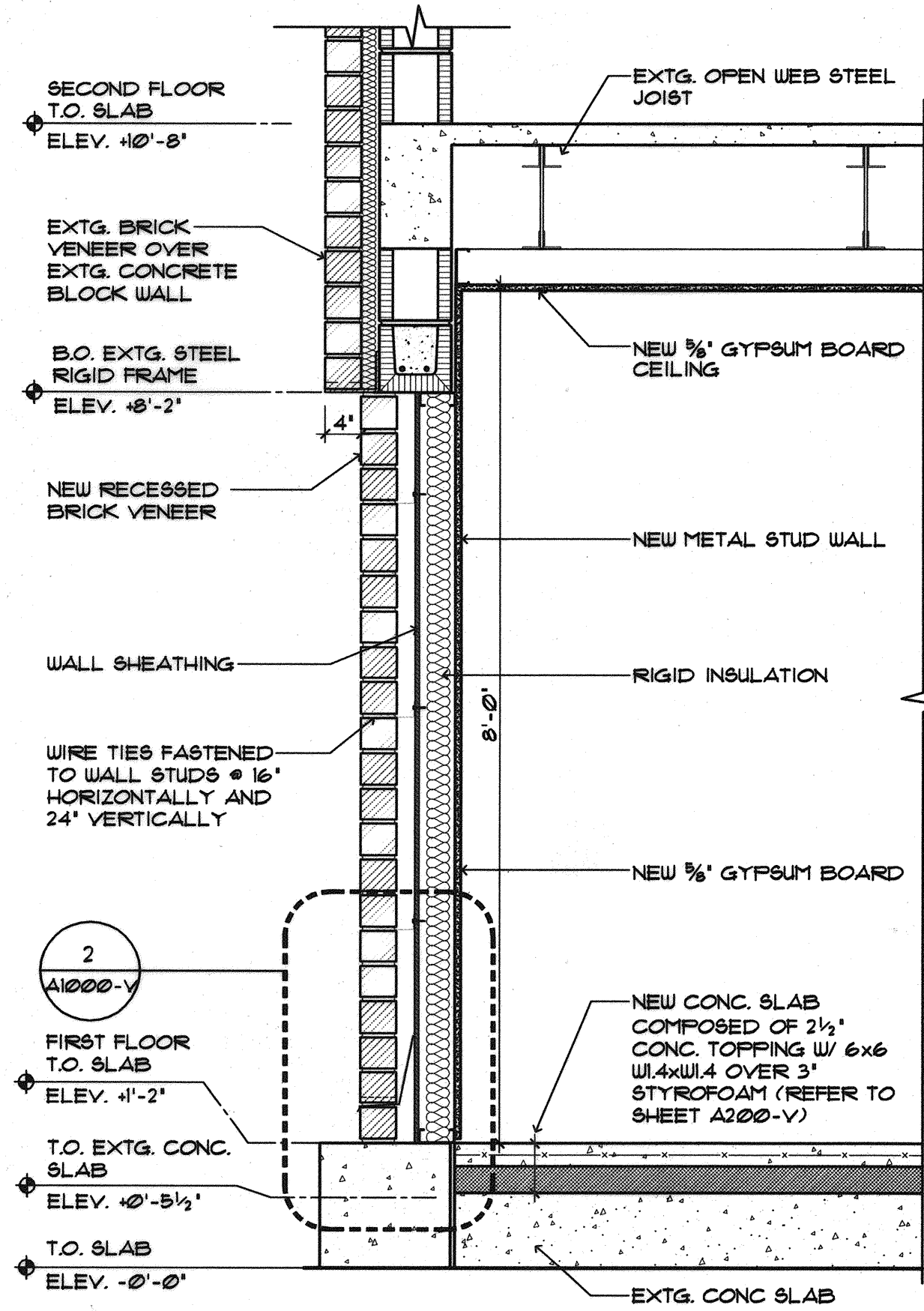


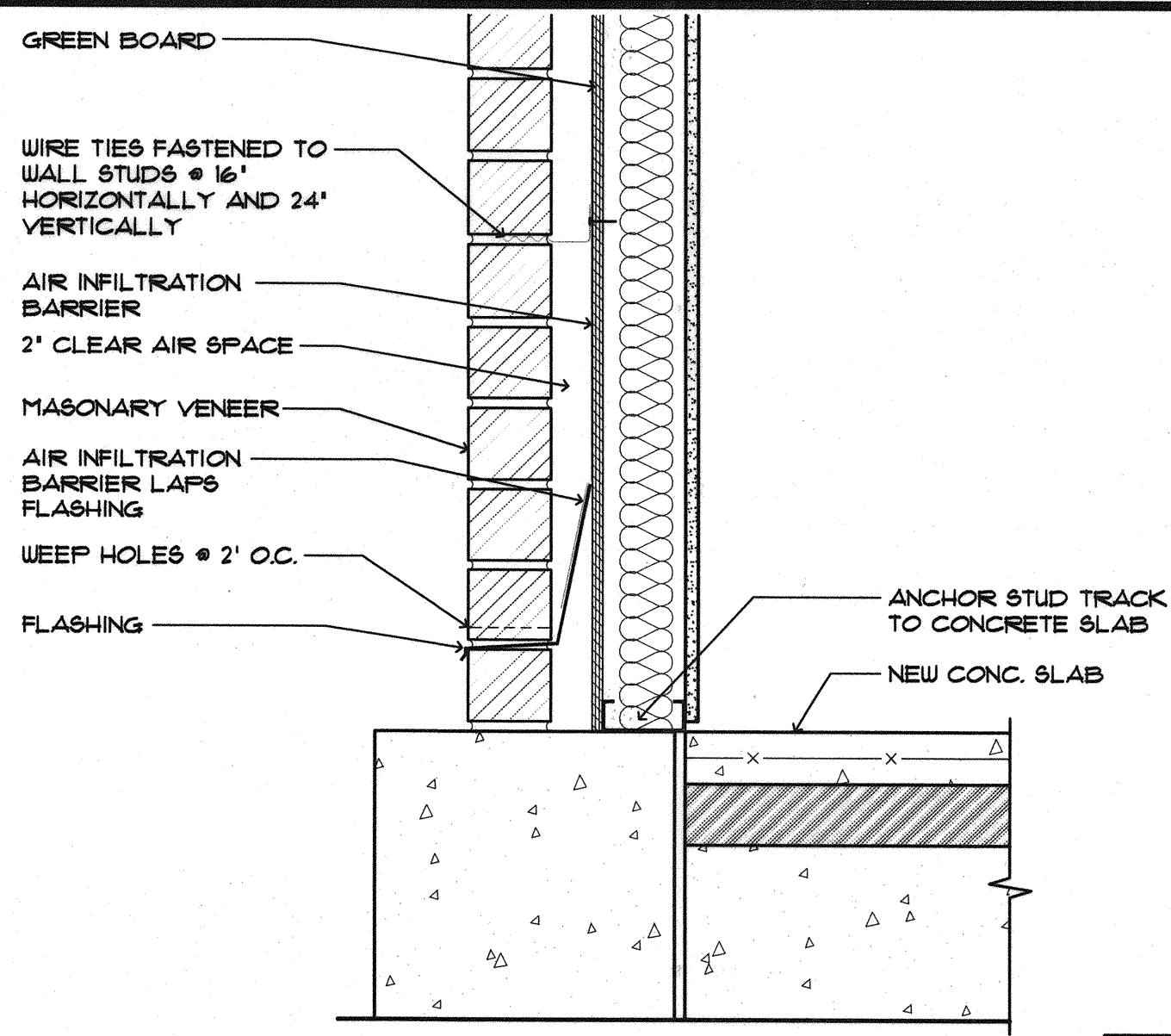
Filename: \\Server1\projects\02-0818 Maine Int. Ferry Terminal\PHASE 1\Architecture\FINAL CONSTRUCTION DOCUMENTS\VEHICLE INSPECTION\20943802-V-A1000.dwg, Oct 08, 2004 - 1:48pm



WALL DETAIL
SCALE: 3/4" = 1'-0"

1
A1000

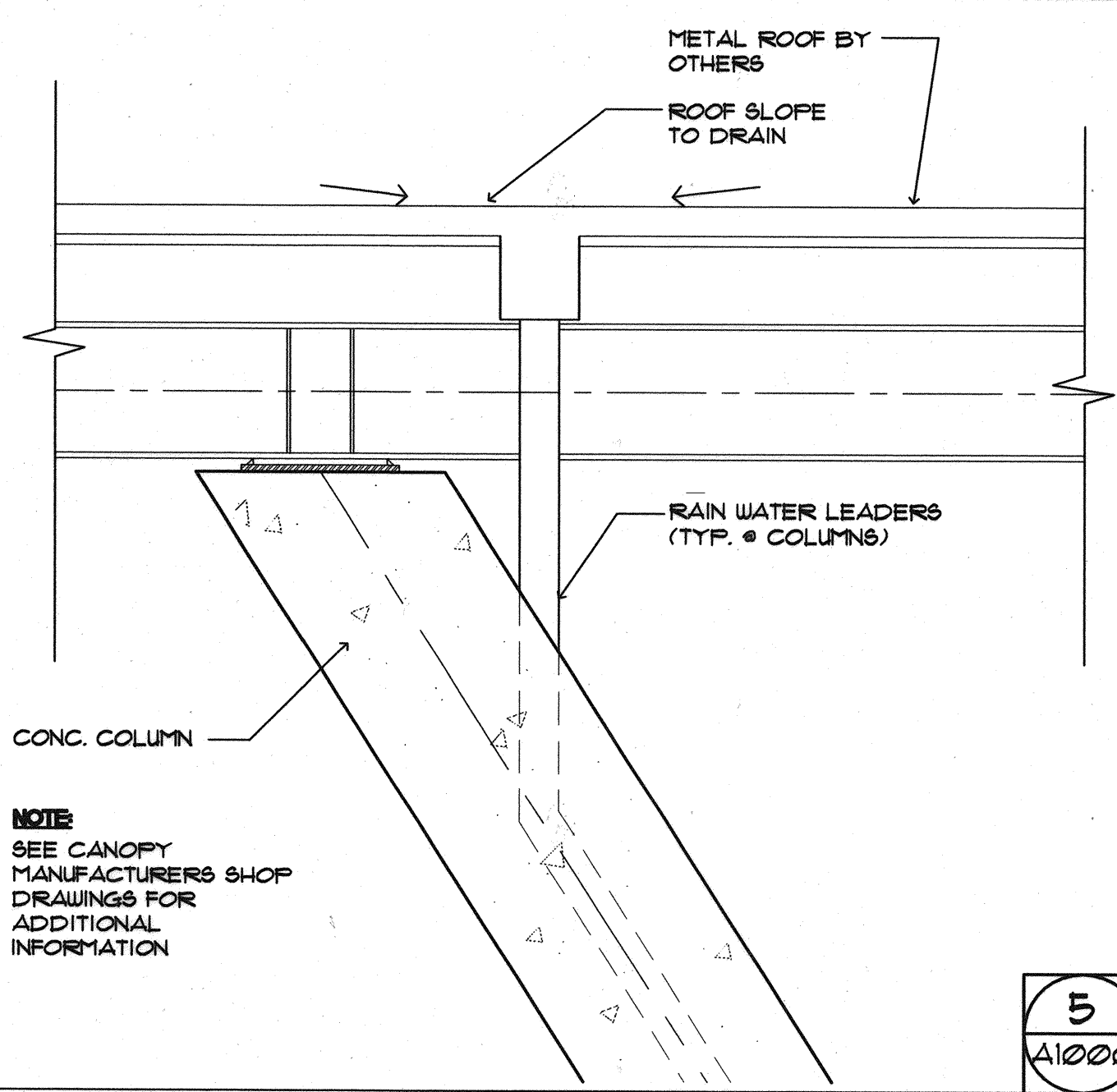
8
A1000



ENLARGED WALL DETAIL
SCALE: 1 1/2" = 1'-0"

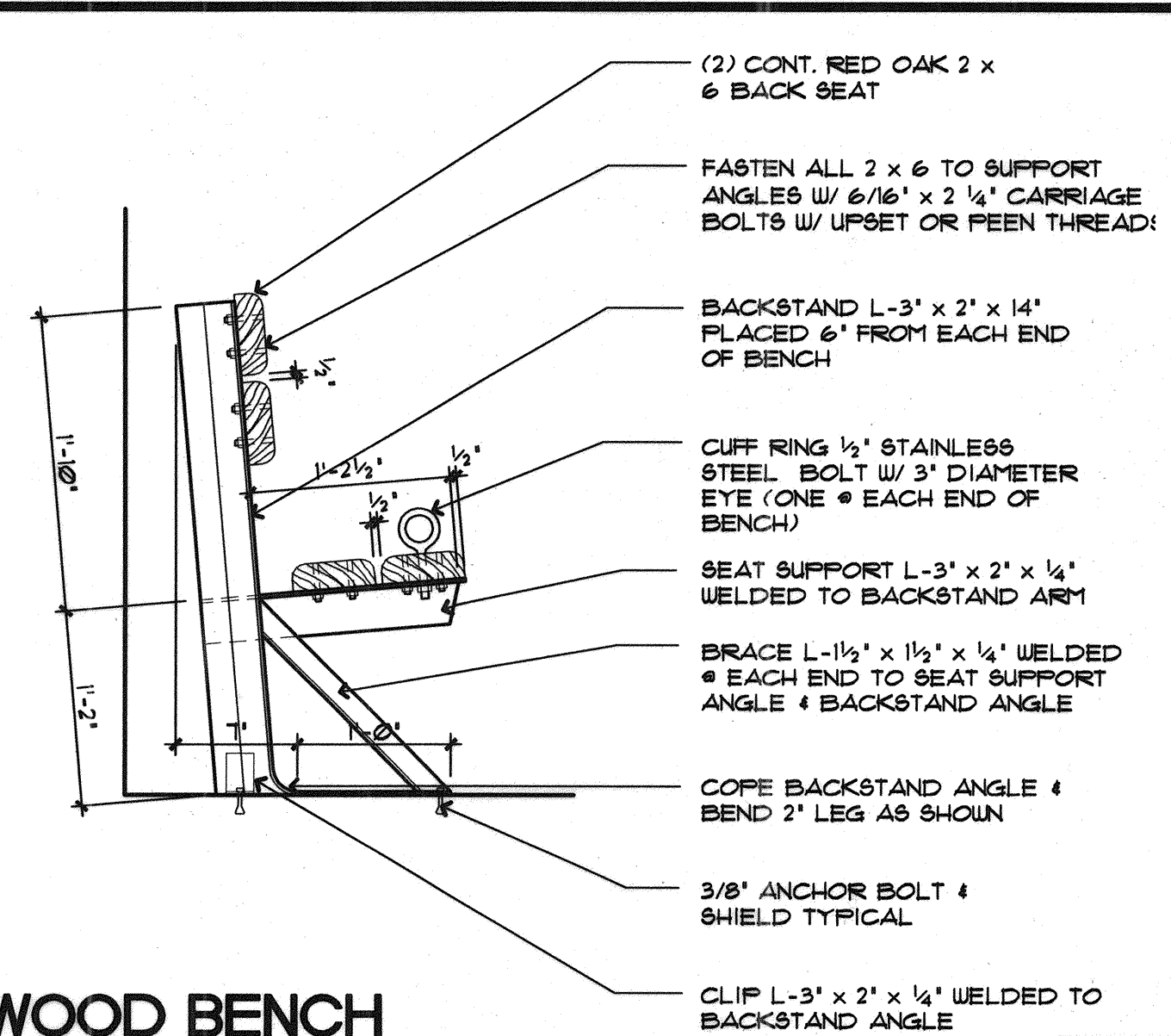
2
A1000

9
A1000



5
A1000

9
A1000

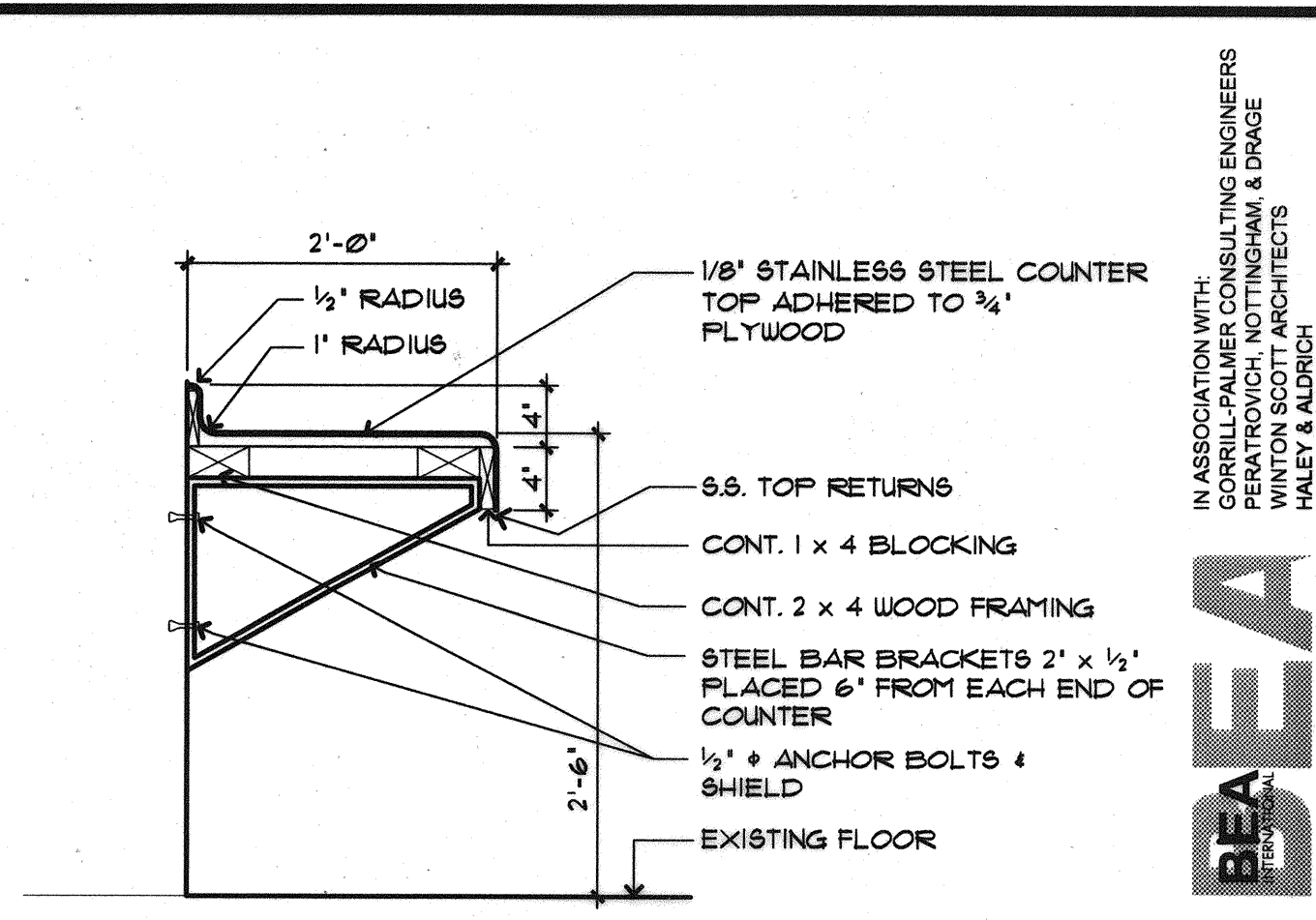


WOOD BENCH (IN DETENTION AND SEARCH ROOM)
SCALE: 1" = 1'-0"

3
A1000

6
A1000

10
A1000



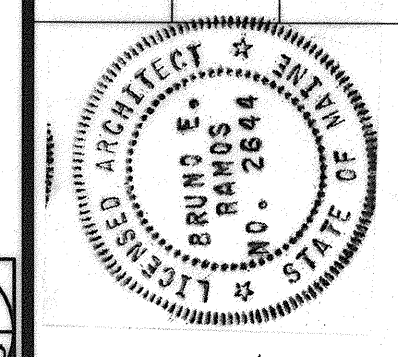
SECTION THROUGH STEEL COUNTER (IN SEARCH ROOM)
SCALE: 1" = 1'-0"

4
A1000

7
A1000

IN ASSOCIATION WITH:
GORRILL-PALMER CONSULTING ENGINEERS
PERATROVICH, NOTTINGHAM, & DRAGE
WINTON SCOTT ARCHITECTS
PAULET & ADRIANI
BEA

STATE OF MAINE
DEPARTMENT OF TRANSPORTATION
PROJECT NUMBER 009215.00
PIN
009215.00



PROJ. MANAGER	PAUL POTTLE	DATE	
DESIGN-DETAILED		SIGNATURE	
CHECKED-REVIEWED		P. LICENSE NUMBER	ARC 2044
DESIGN-DETAILED02		DATE	10/8/2004
DESIGN-DETAILED03			
REVISIONS 1			
REVISIONS 2			
REVISIONS 3			
REVISIONS 4			
FIELD CHANGES			

CITY OF PORTLAND
OCEAN GATEWAY PHASE 1
DETAILS

A1000-V