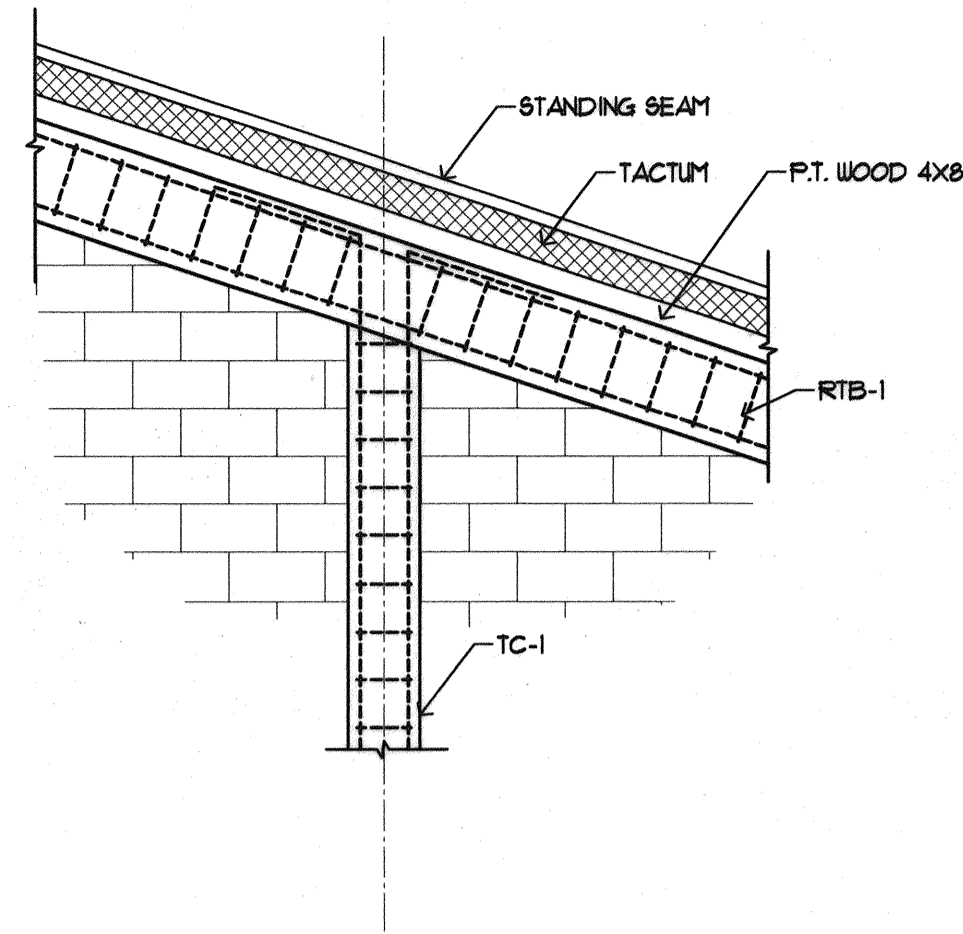
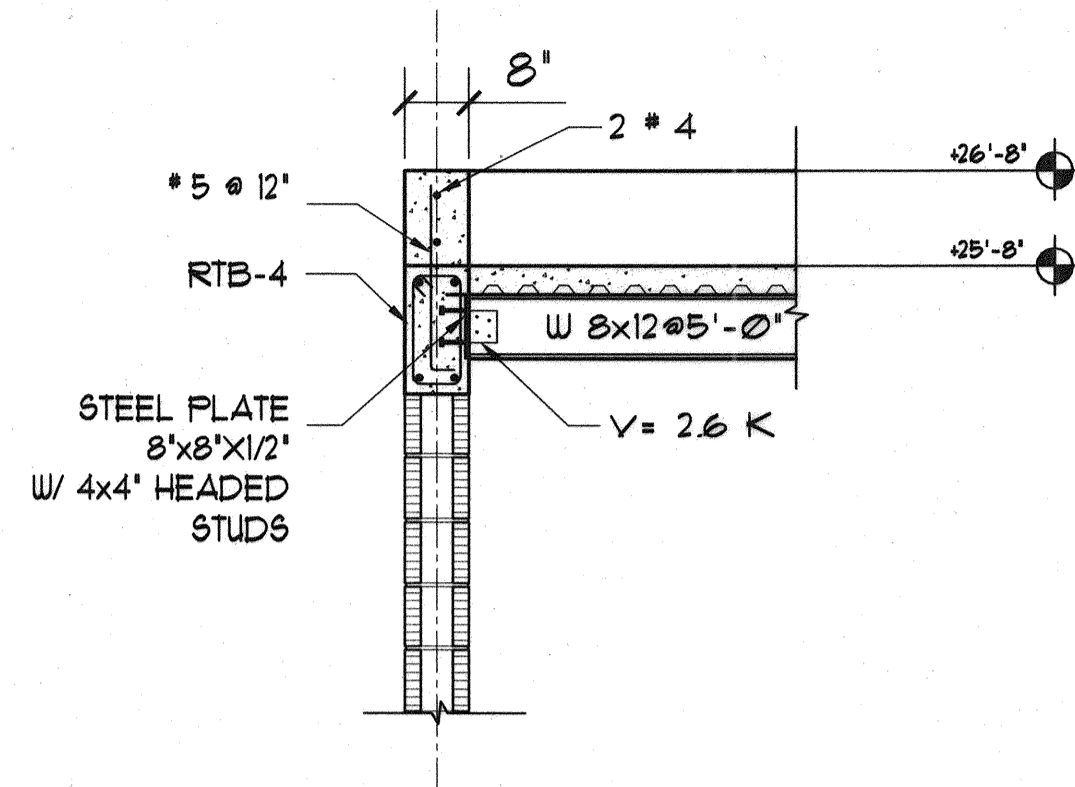


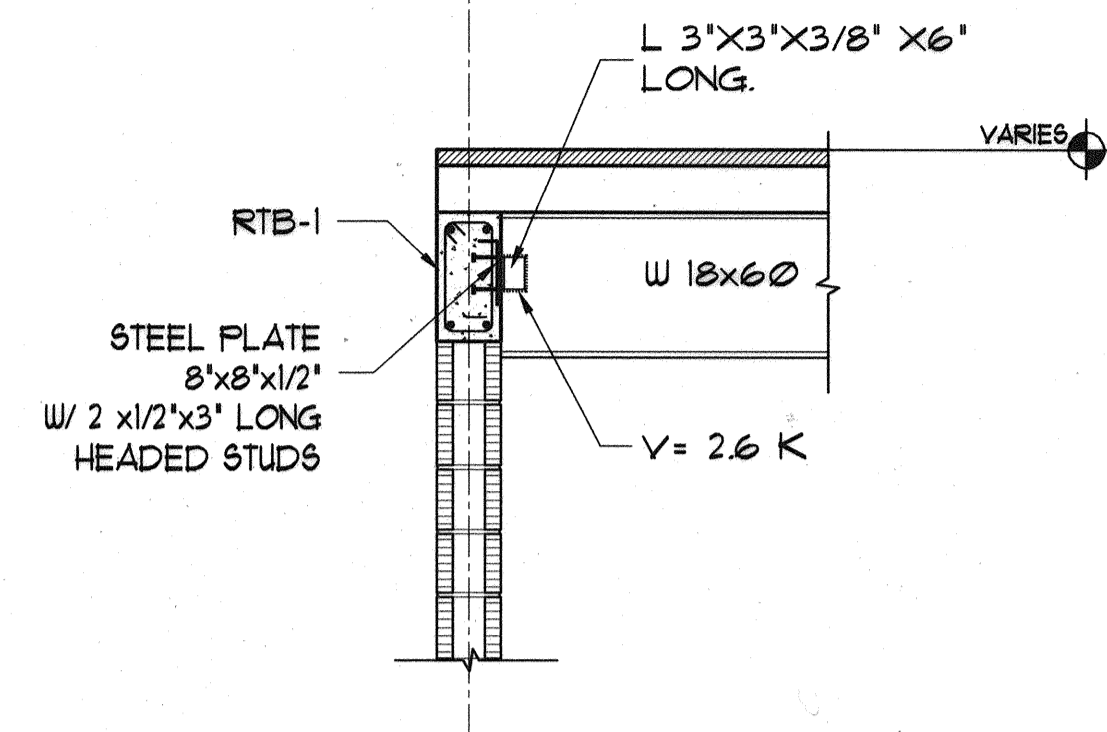
Filename: P:\02-0818 Maine Int Ferry Terminal\PHASE 1\Architecture\FINAL CONSTRUCTION DOCUMENTS\RECEIVING STATION\20343802-R-S201.dwg, Oct 08, 2004 - 4:17pm



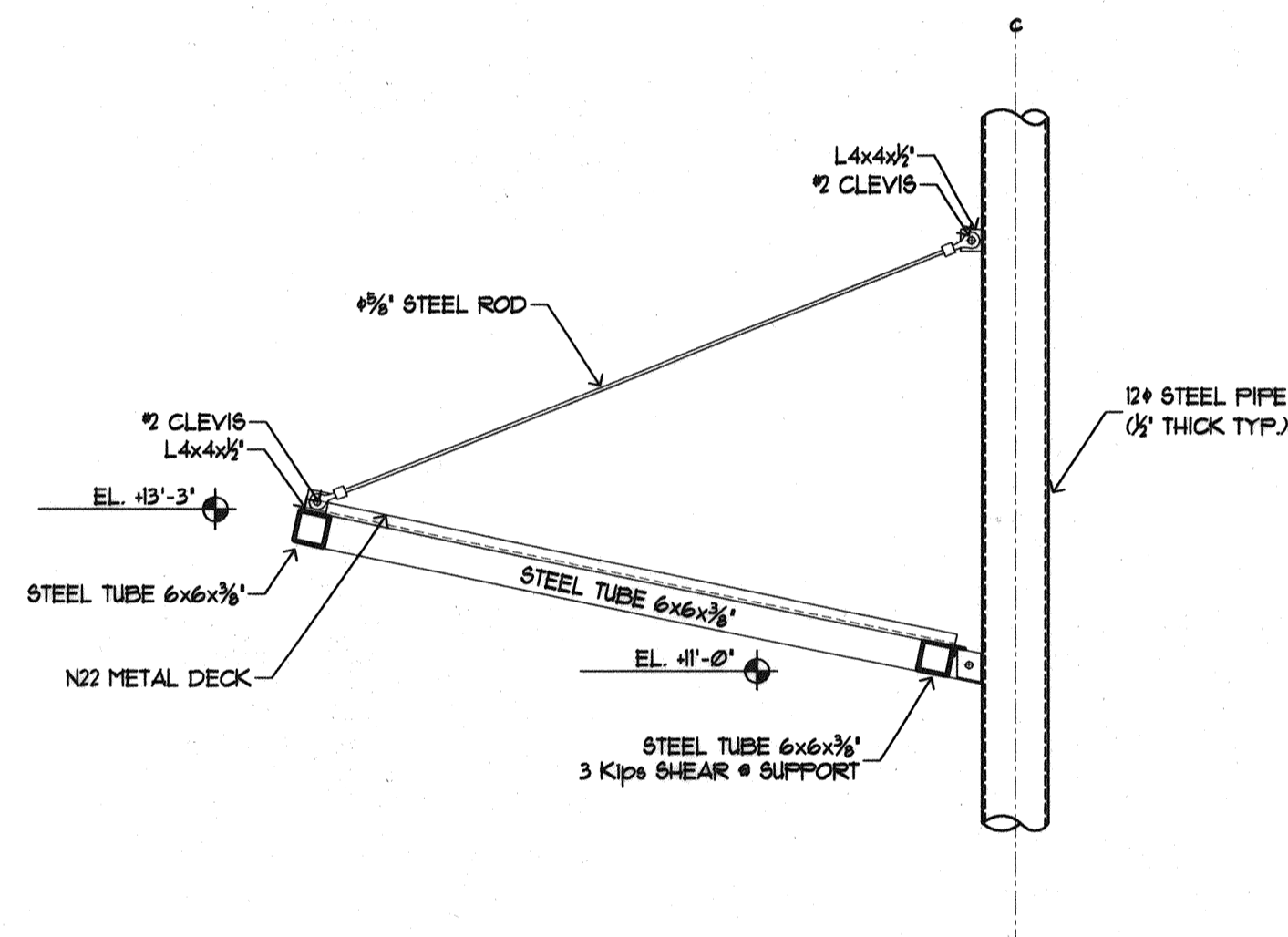
**SECTION E**  
SCALE: 3/8" = 1'-0"



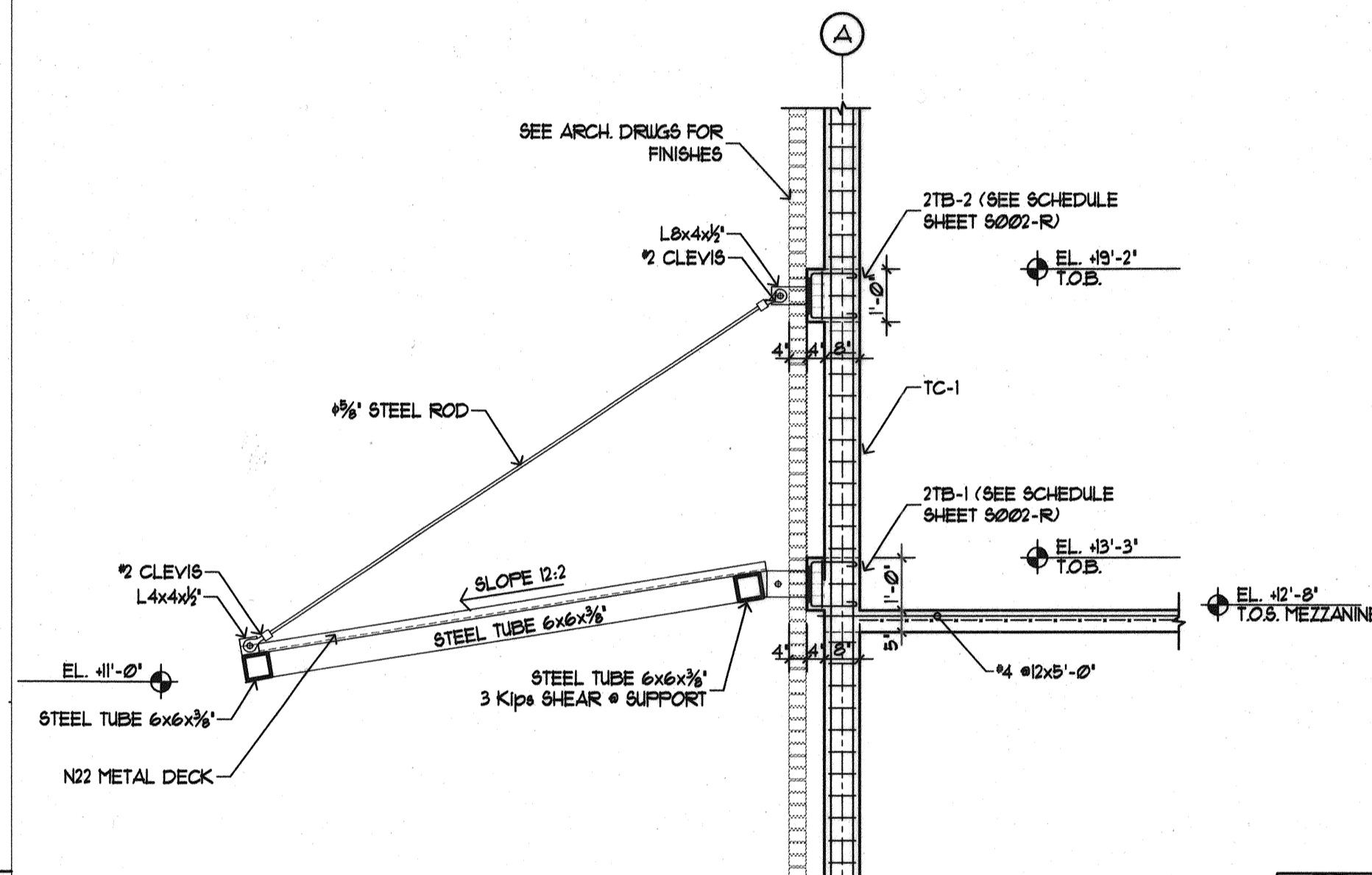
**SECTION D**  
SCALE: 1/2" = 1'-0"



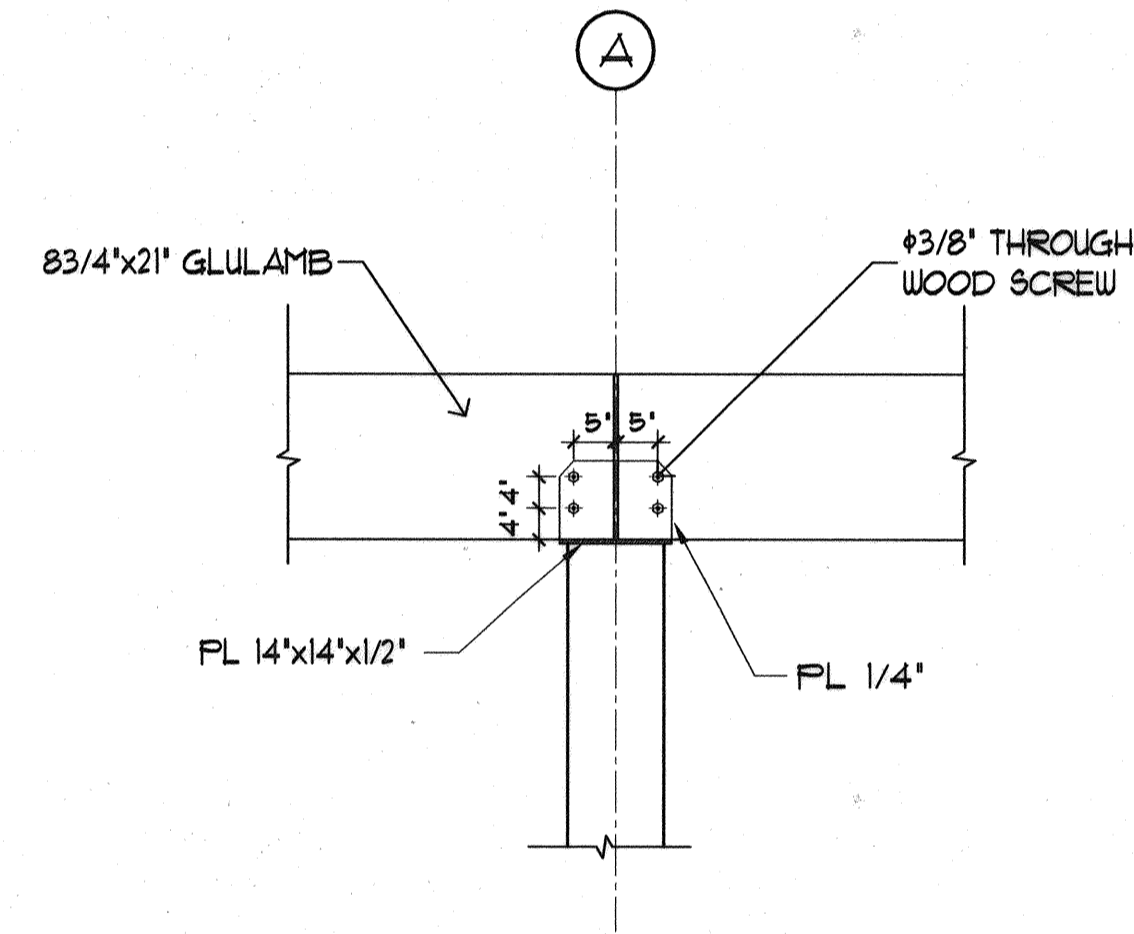
**SECTION F**  
SCALE: 1/2" = 1'-0"



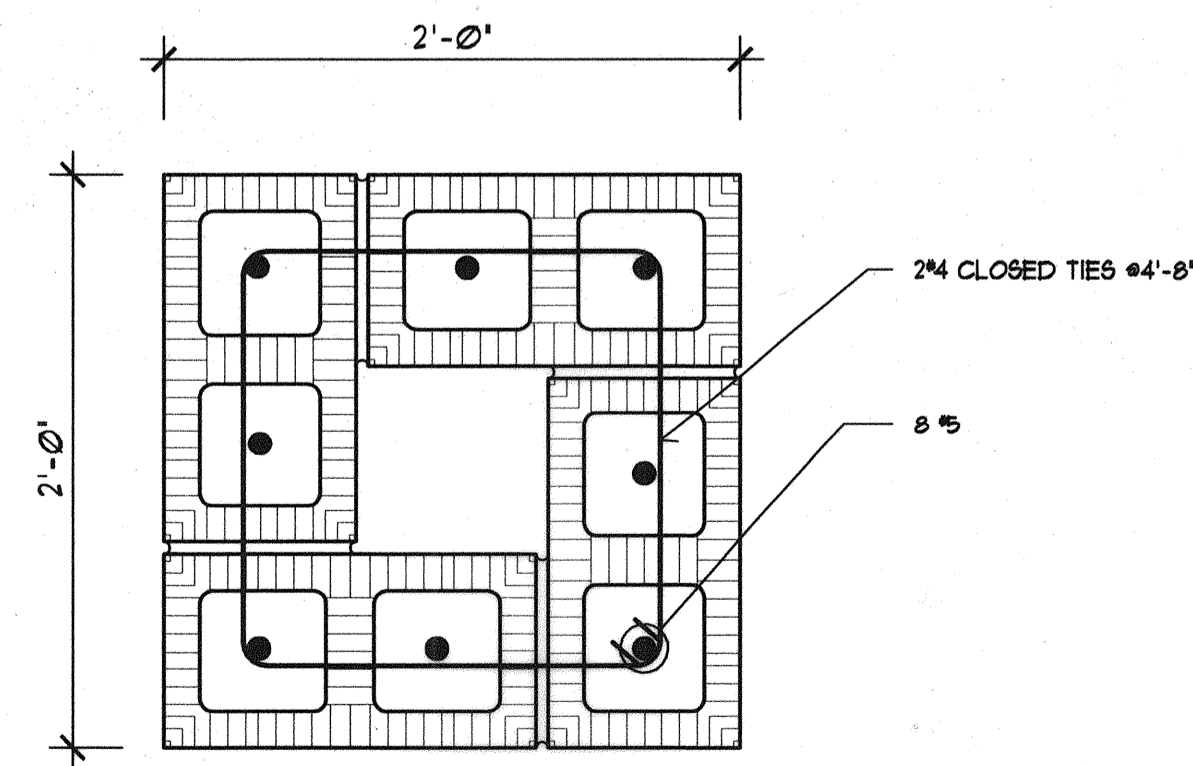
**DETAIL 1**  
SCALE: 3/8" = 1'-0"



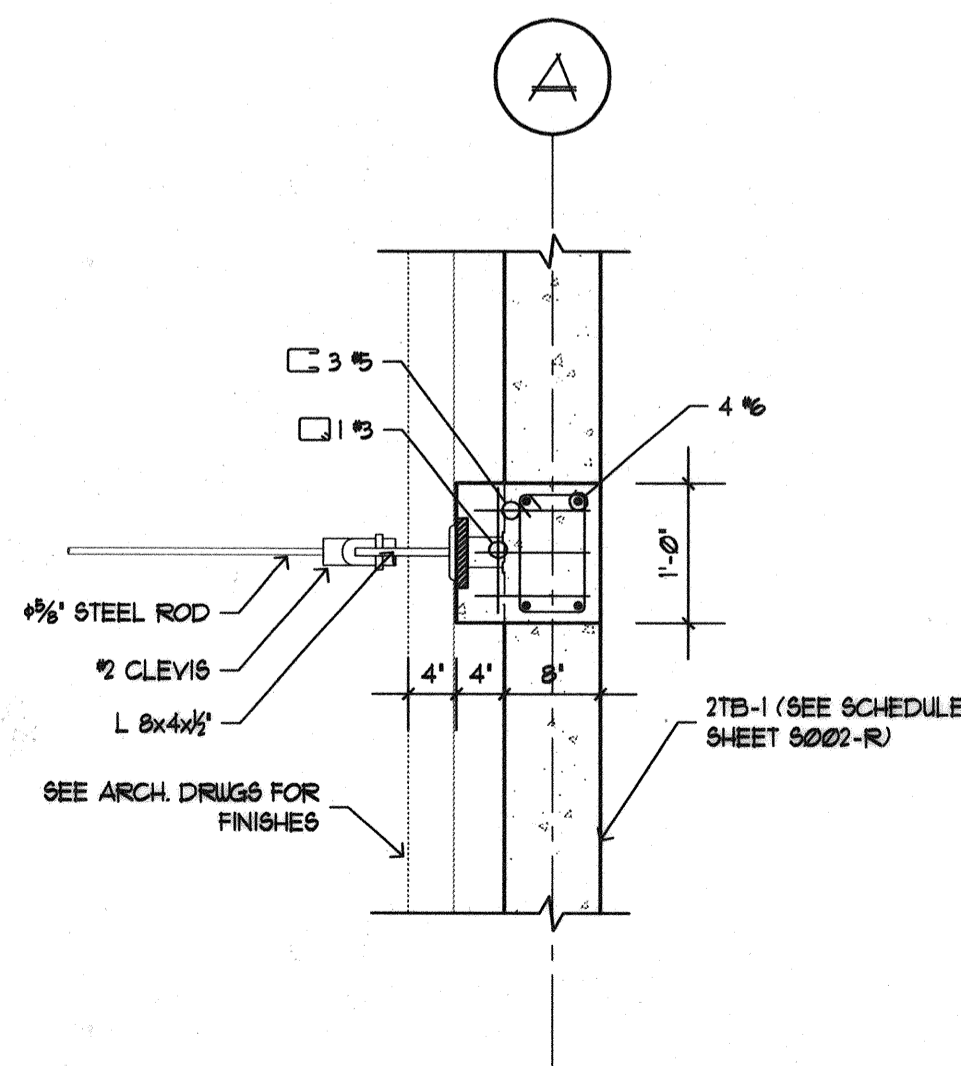
**DETAIL 2**  
SCALE: 3/8" = 1'-0"



**SECTION G**  
SCALE: 1/2" = 1'-0"

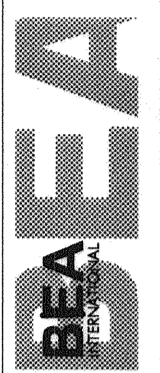


**DETAIL 4**  
SCALE: 1/2" = 1'-0"

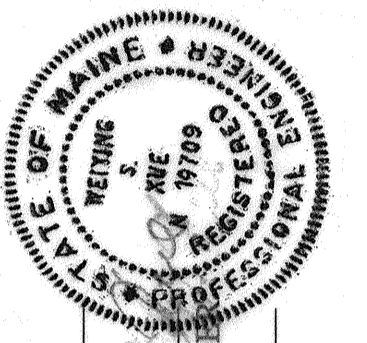


**DETAIL 3**  
SCALE: 3/4" = 1'-0"

IN ASSOCIATION WITH:  
CORPUS PALMER CONSULTING ENGINEERS  
PERATROVICH, NOTTINGHAM, & DRACE  
WINTON SCOTT ARCHITECTS  
HALEY & ALDRICH



STATE OF MAINE  
DEPARTMENT OF TRANSPORTATION  
PROJECT NUMBER 009215.00



SIGNATURE	DATE
P. LICENCE NUMBER	DATE
PE 10709	10/8/2004
DATE	
10/8/2004	
FIELD CHANGES	
REVISIONS 1	
REVISIONS 2	
REVISIONS 3	
REVISIONS 4	

CITY OF PORTLAND  
OCEAN GATEWAY PHASE 1  
RECEIVING STATION  
DETAILS

S201-R