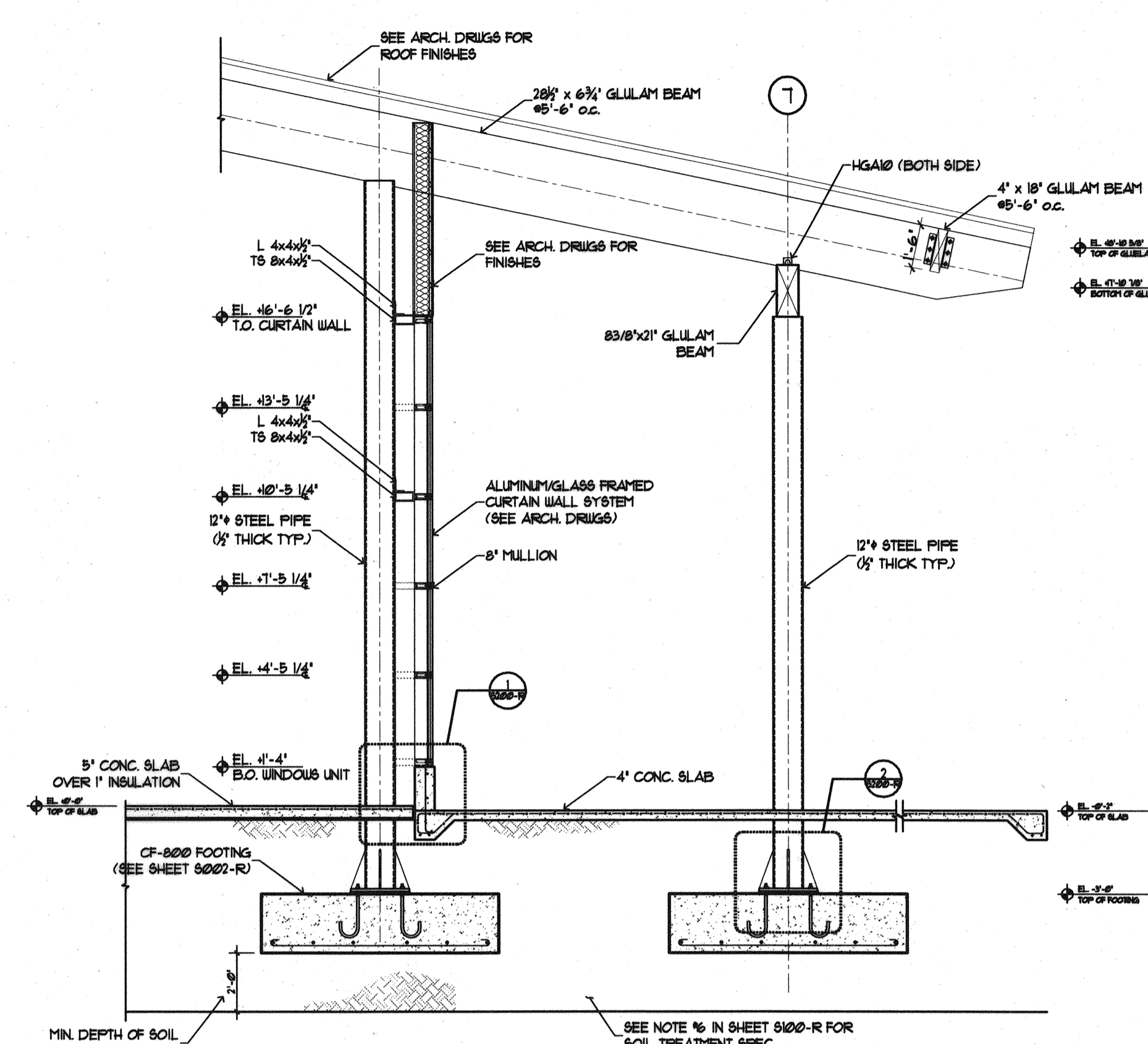
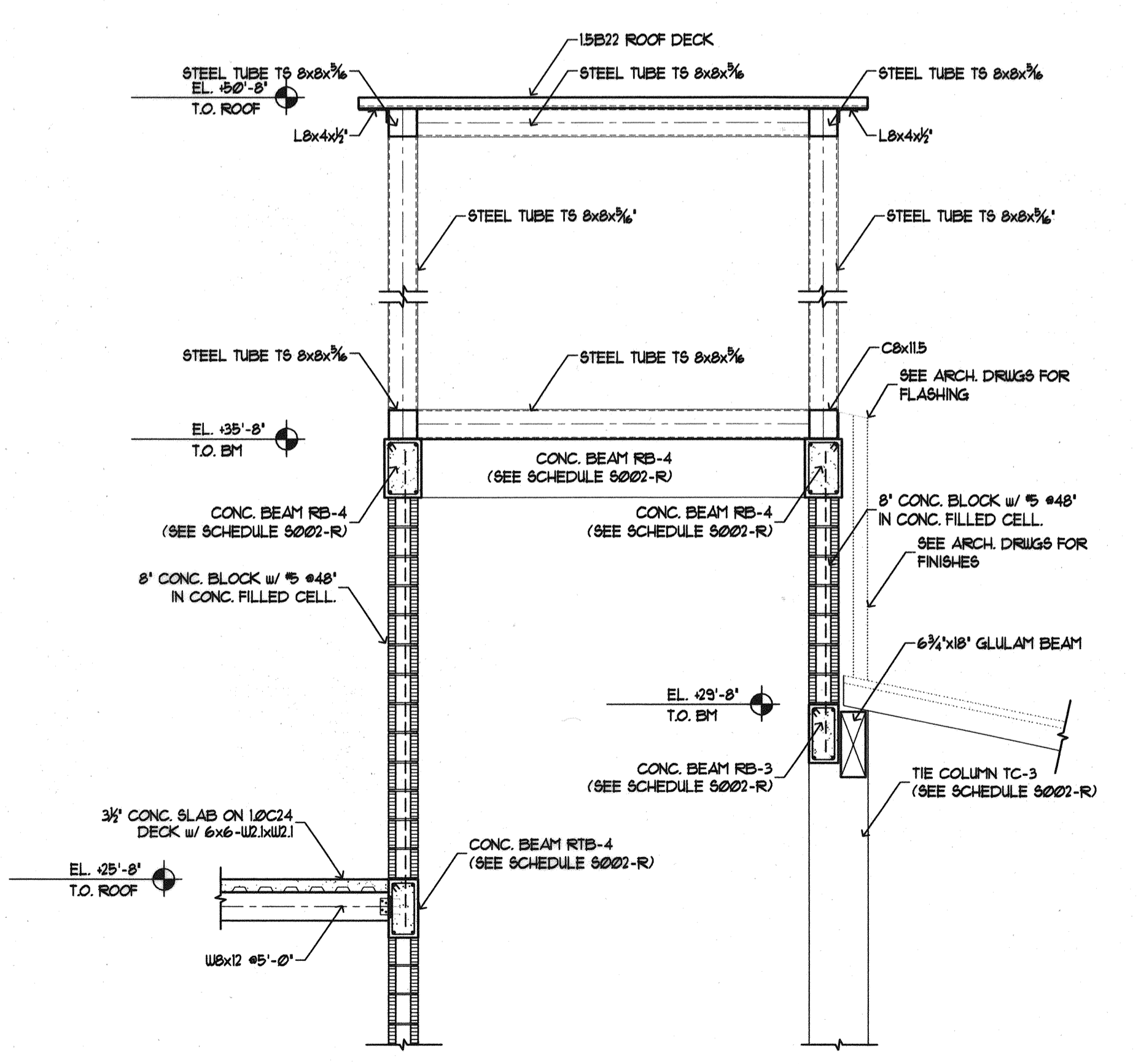


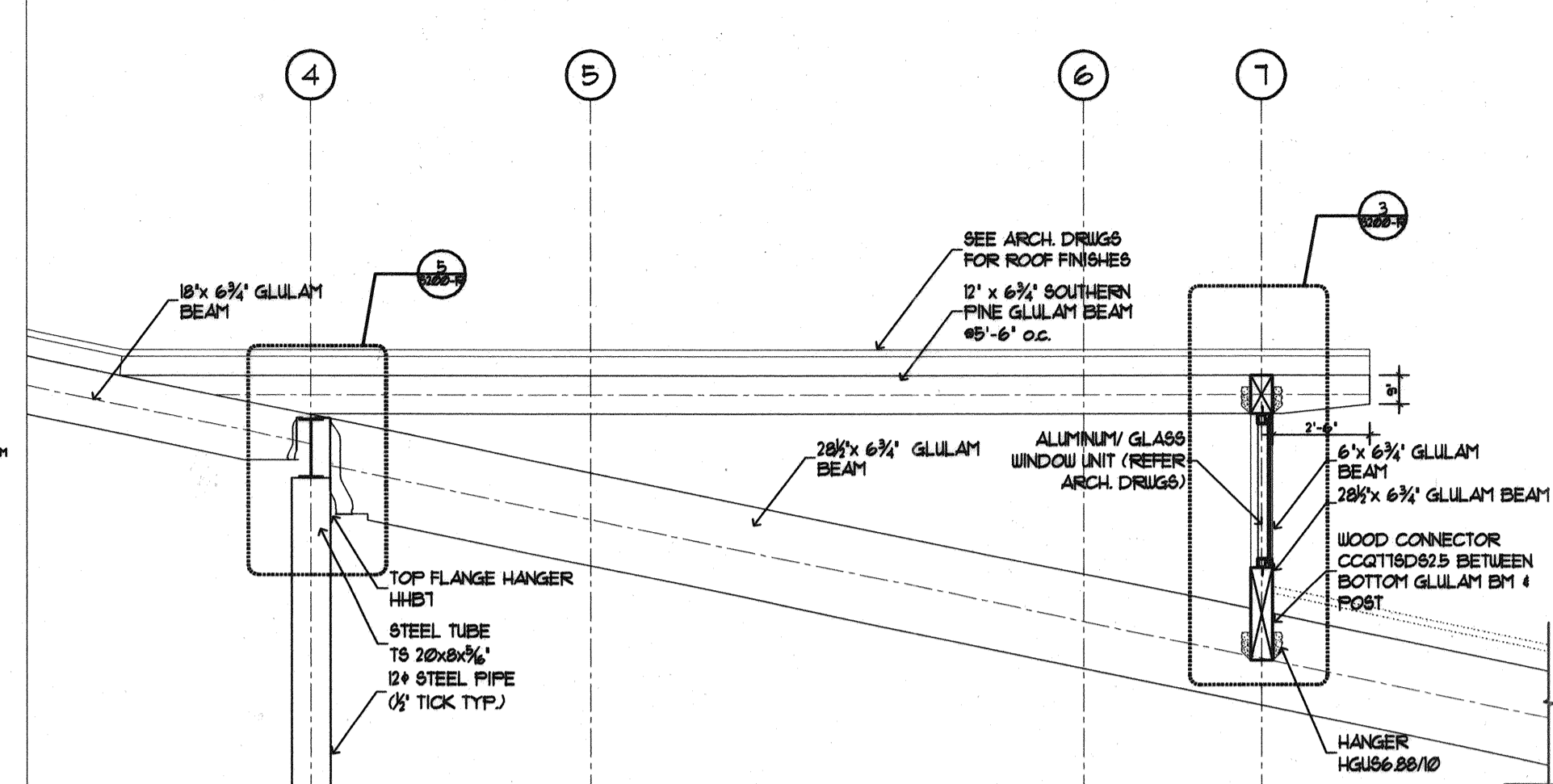
Filename: P:\02-0818 Maine Int Ferry Terminal\PHASE 1\Architecture\FINAL CONSTRUCTION DOCUMENTS\RECEIVING STATION\S200.dwg, Oct 08, 2004 - 4:14pm



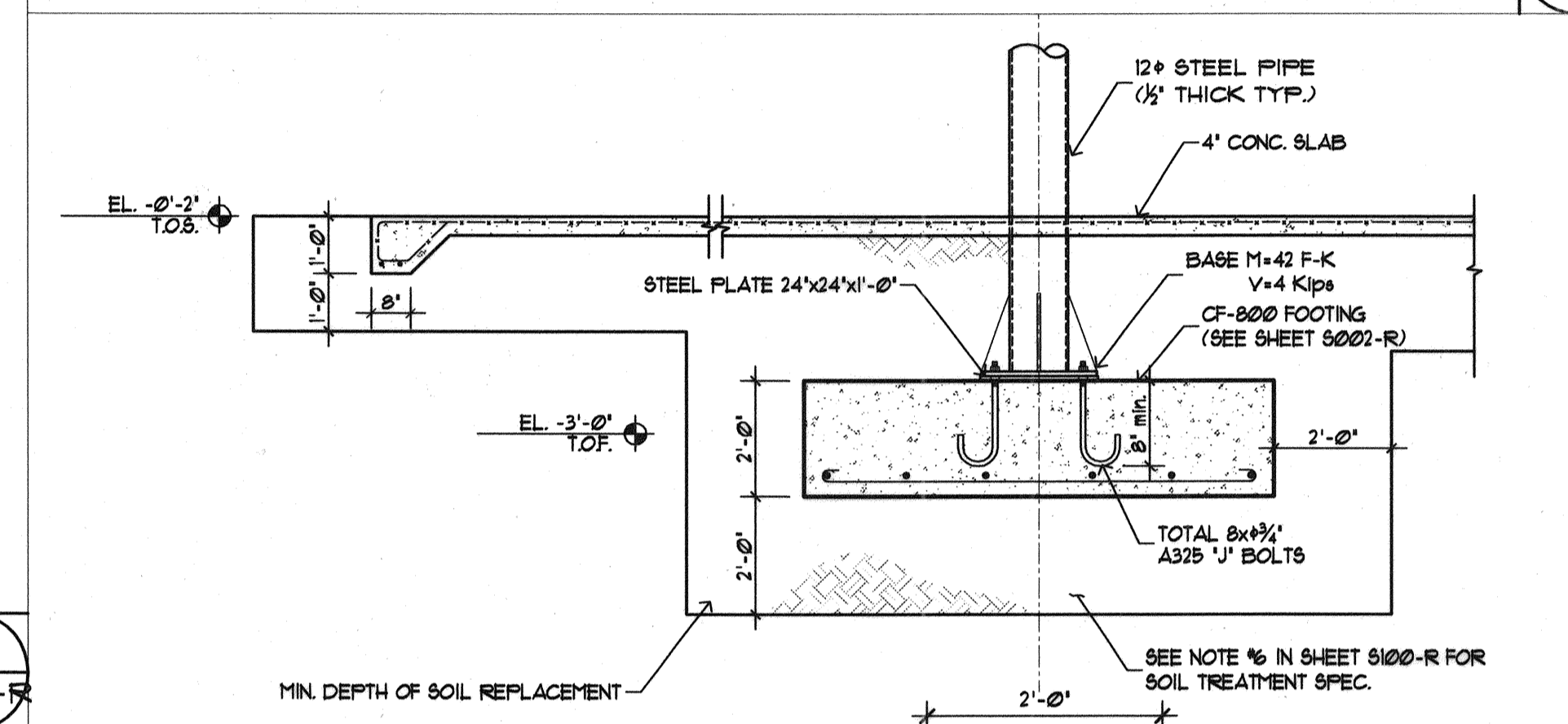
SECTION A
SCALE: 1/4" = 1'-0"



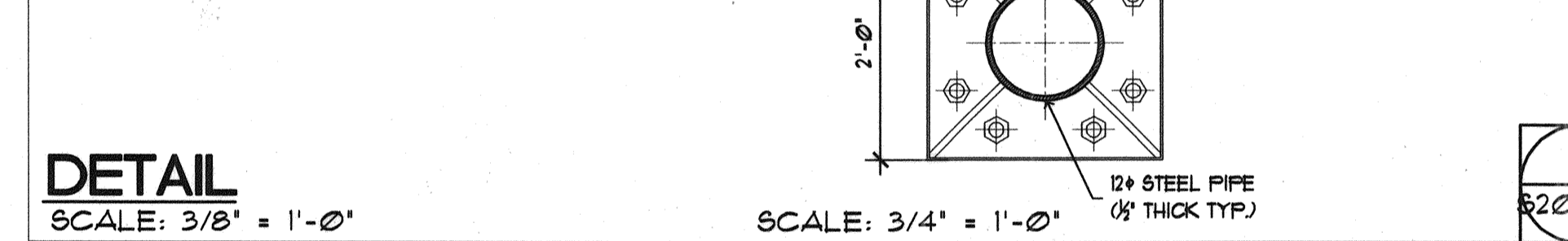
SECTION B
SCALE: 3/8" = 1'-0"



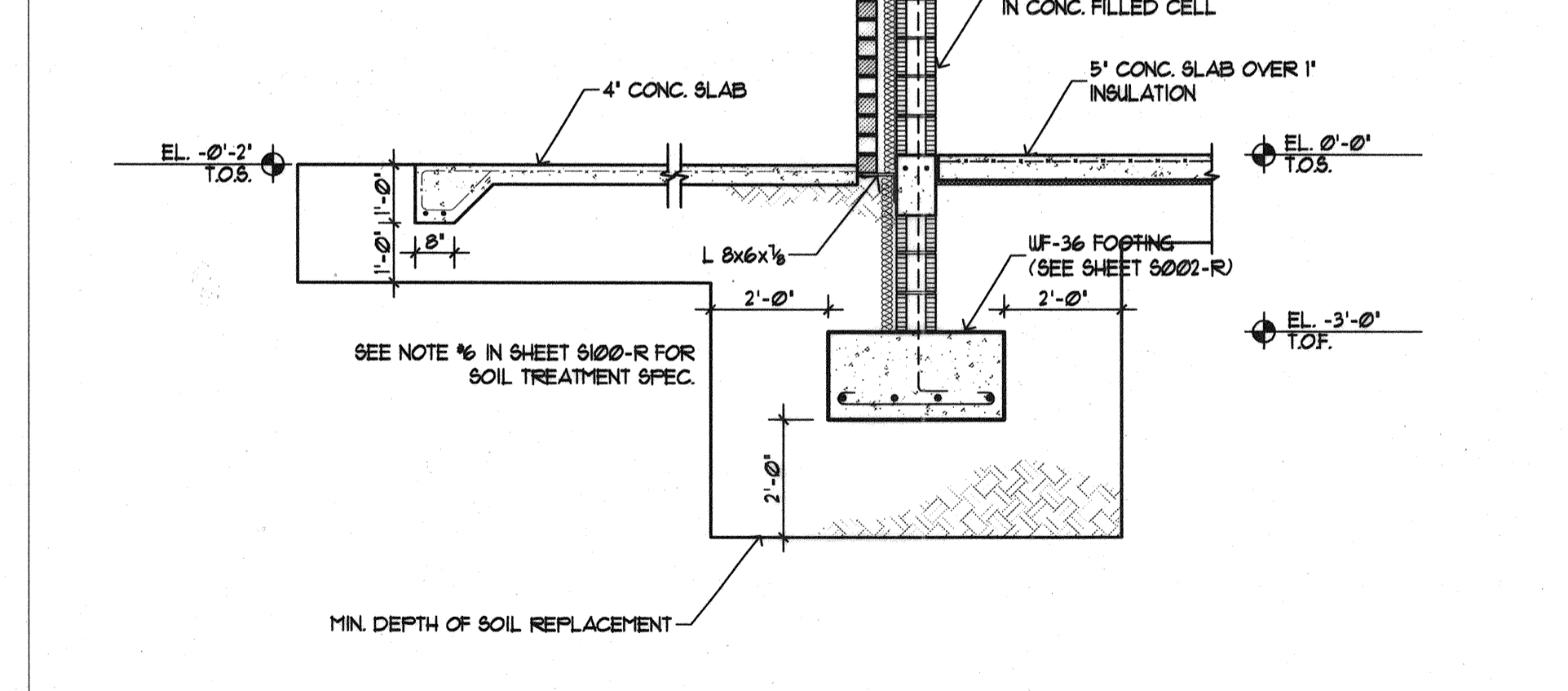
SECTION C
SCALE: 1/4" = 1'-0"



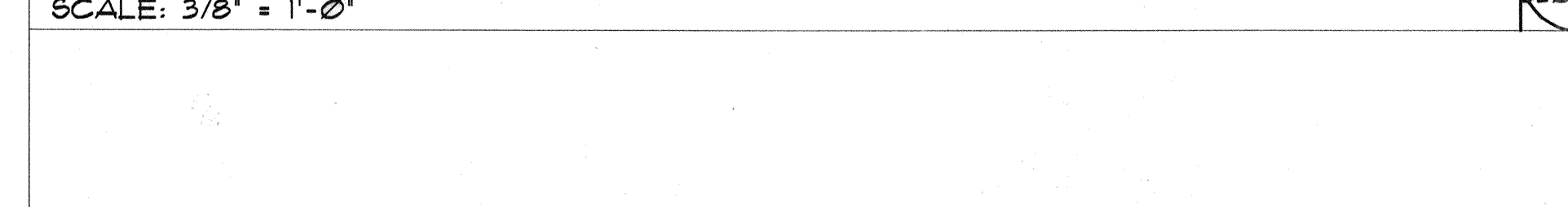
DETAIL 1
SCALE: 3/8" = 1'-0"



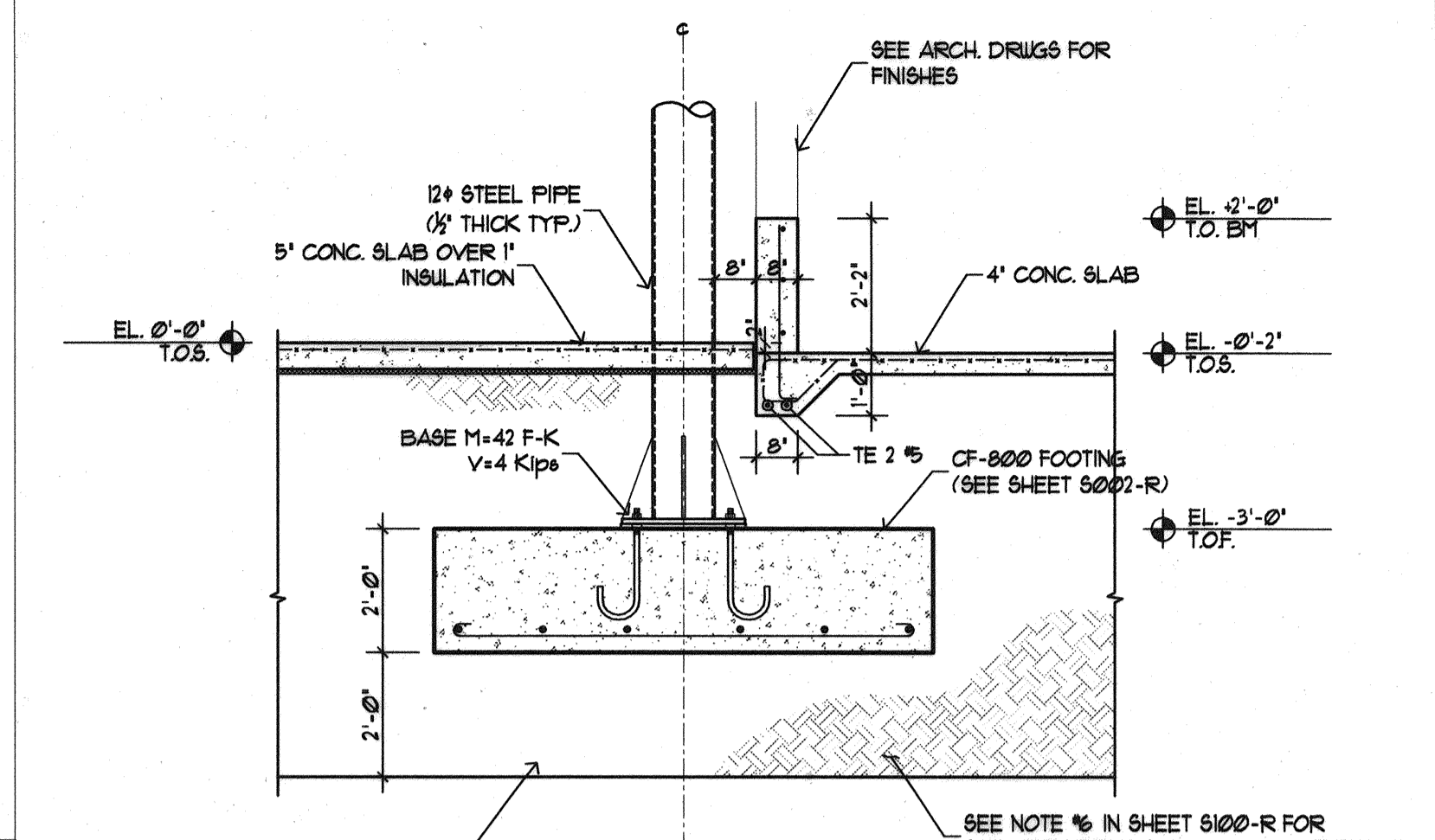
DETAIL 2
SCALE: 3/4" = 1'-0"



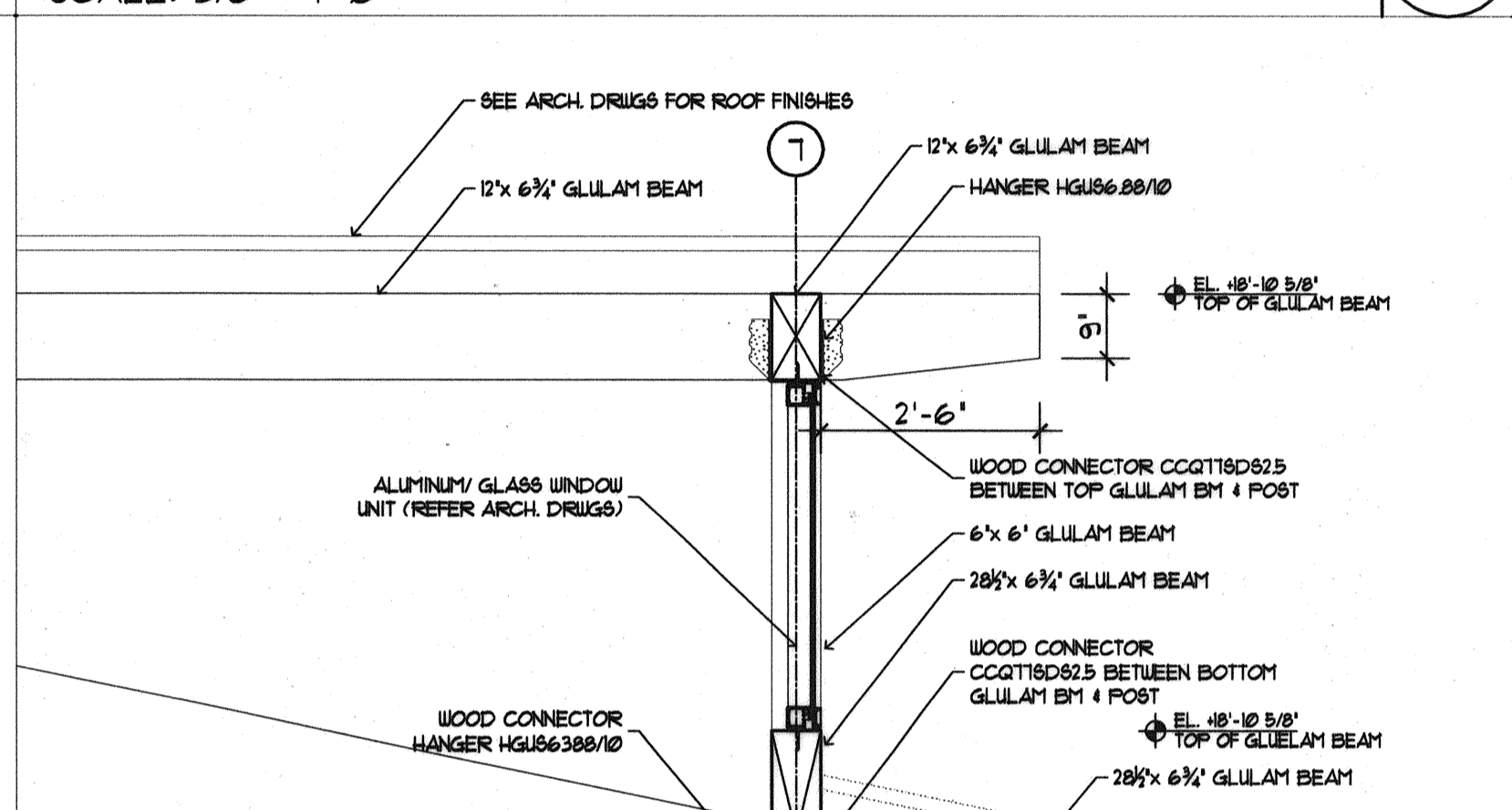
DETAIL 3
SCALE: 1/2" = 1'-0"



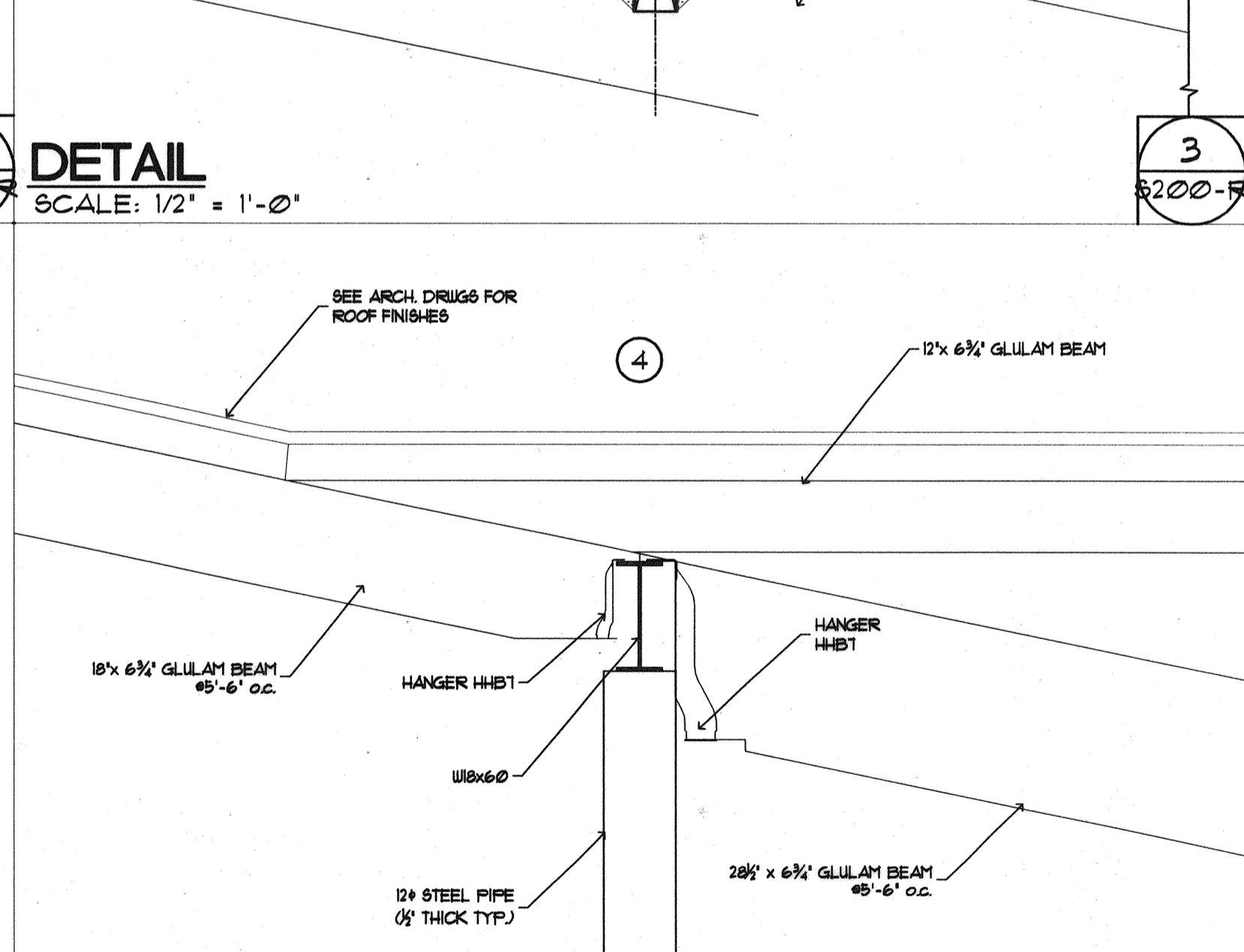
SECTION D
SCALE: 3/8" = 1'-0"



DETAIL 4
SCALE: 3/8" = 1'-0"



DETAIL 5
SCALE: 1/2" = 1'-0"



DETAIL 6
SCALE: 1/2" = 1'-0"

BEA
IN ASSOCIATION WITH:
GERRIT PALMER CONSULTING ENGINEERS
PERATROVICH, NOTTINGHAM & DRAKE
WINTON SCOTT ARCHITECTS
HALEY & ALDRICH

STATE OF MAINE
DEPARTMENT OF TRANSPORTATION
PROJECT NUMBER 009215.00

PROJ. MANAGER	PAUL POTTE	DATE	
CHECKED	REVIEWED	DESIGNED	DETAILED
REVISIONS 1	REVISIONS 2	REVISIONS 3	REVISIONS 4
SIGNATURE		P. LICENCE NUMBER	DATE
		PE 10709	10/8/2004

CITY OF PORTLAND
OCEAN GATEWAY PHASE 1
RECEIVING STATION
SECTIONS / DETAILS

S200-R
217 OF 288