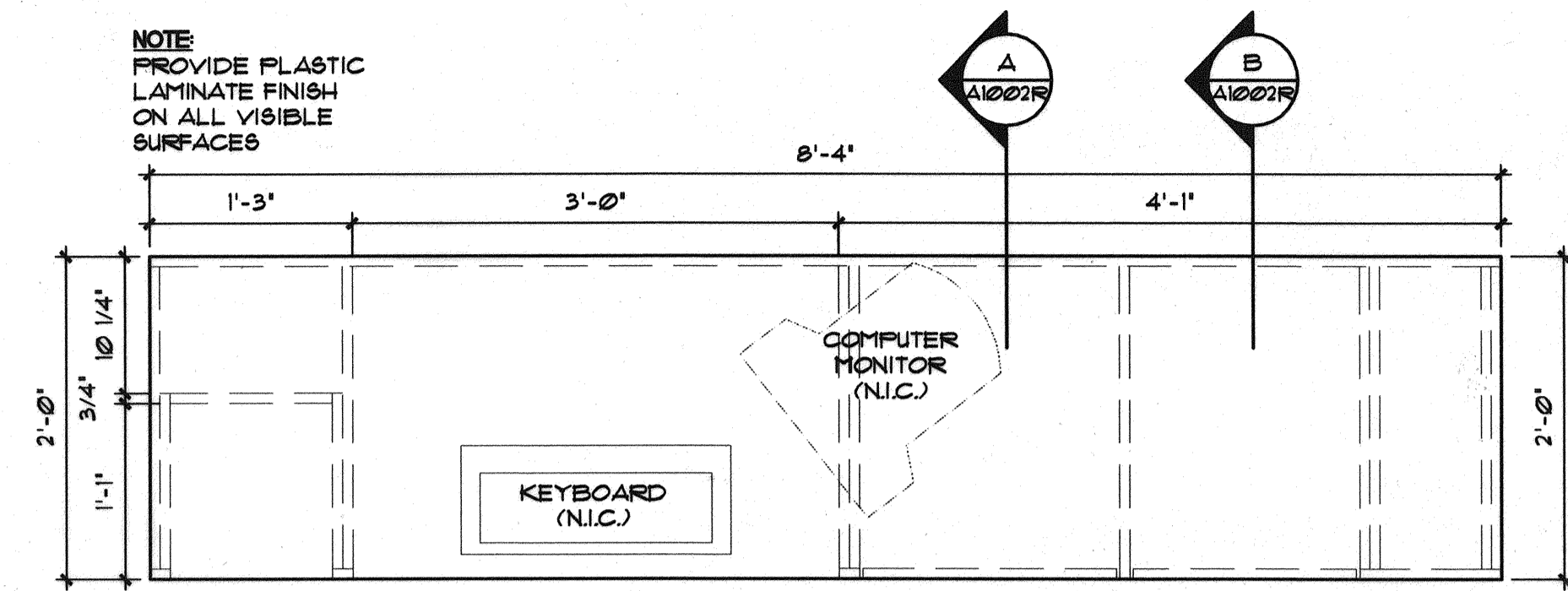
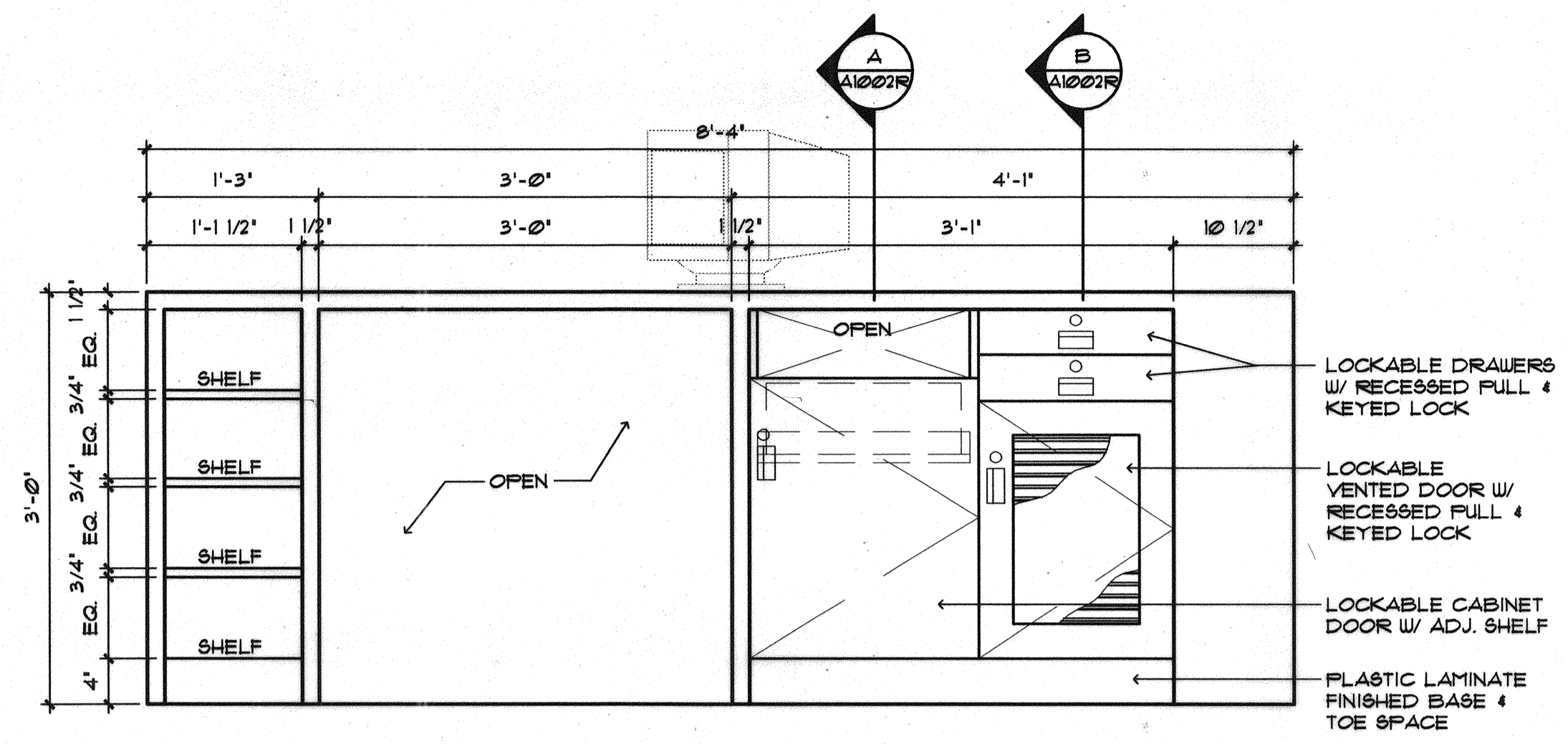


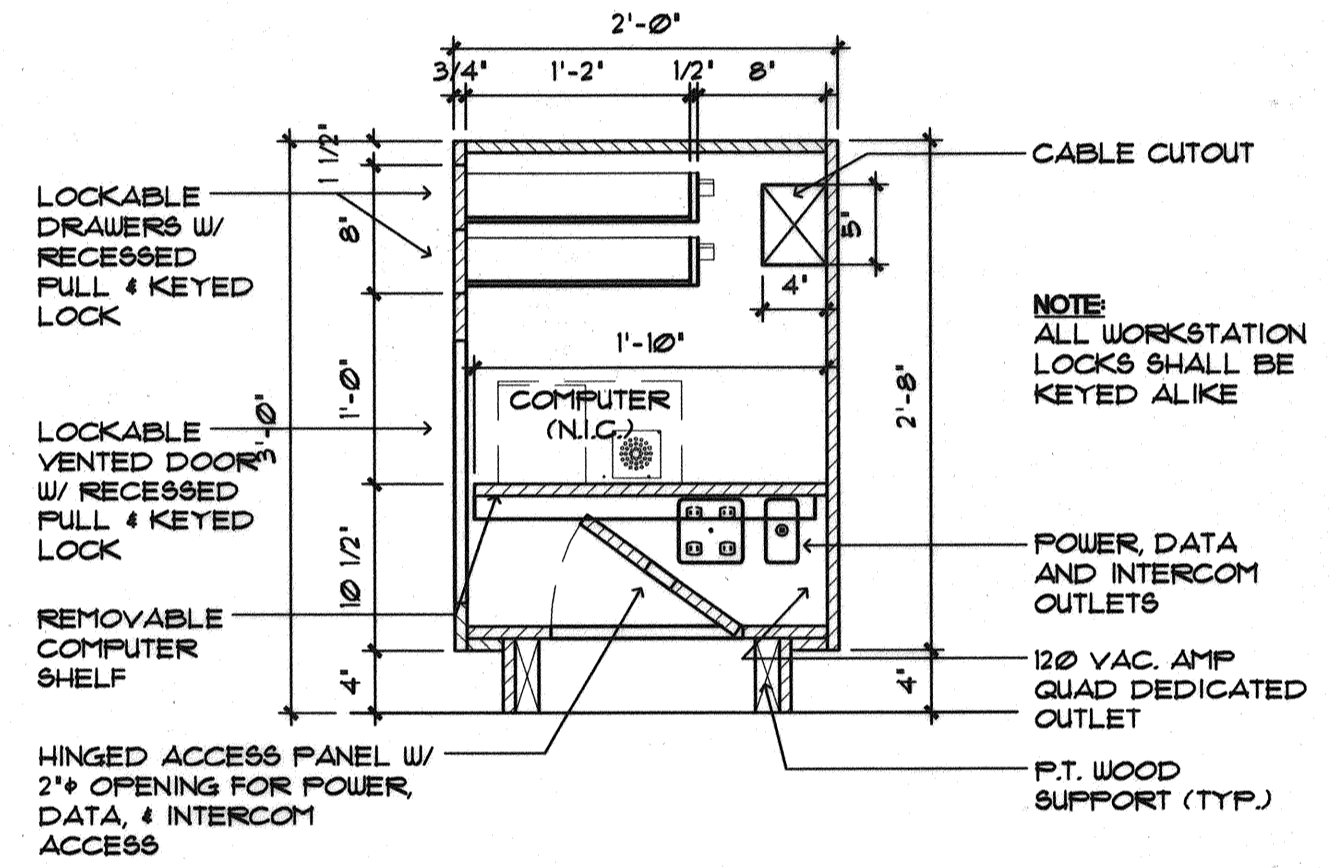
Filename: \\Server1\projects\02-0818 Maine Int Ferry Terminal\PHASE 1\Architecture\FINAL CONSTRUCTION DOCUMENTS\RECEIVING STATION\20343802-R-A1002.dwg, Oct 08, 2004 - 9:17am



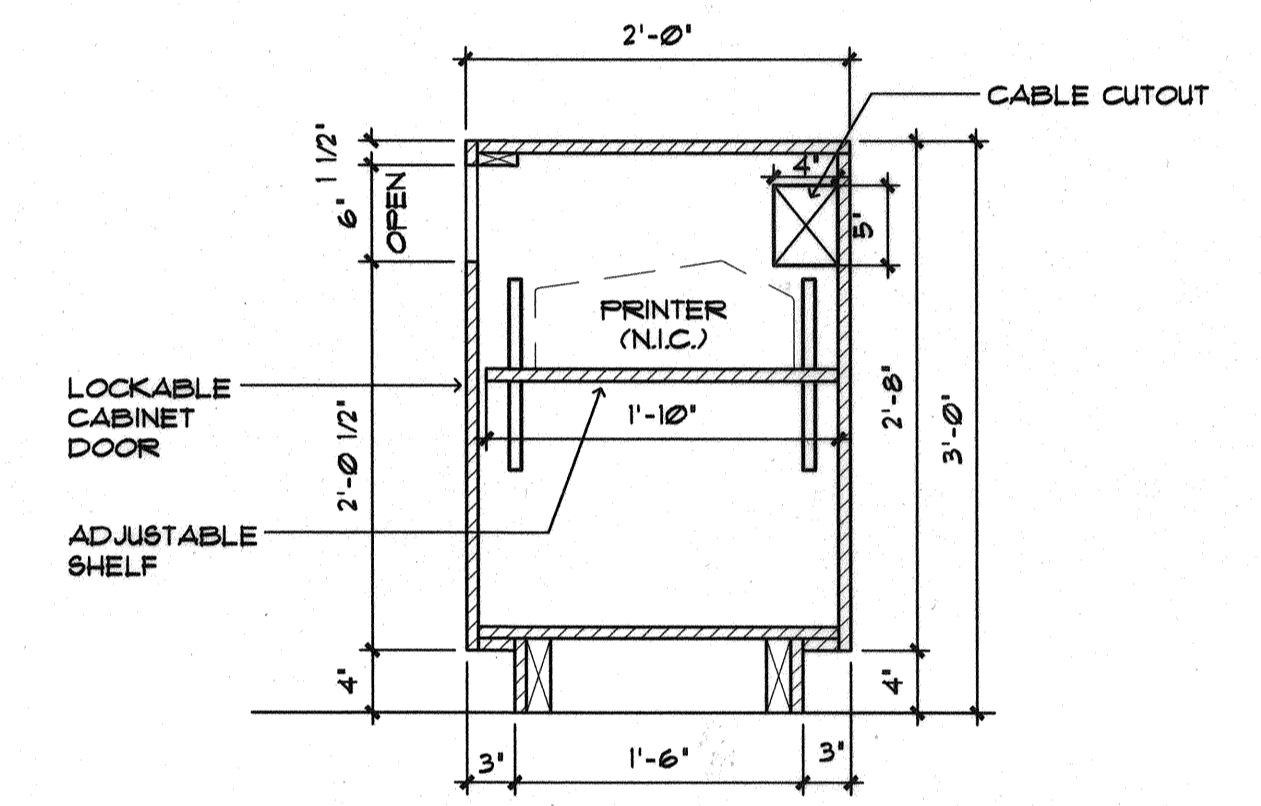
PARTIAL ENLARGED TICKETING COUNTER PLAN (COUNTER #1)
SCALE: 1"=1'-0"



TICKETING COUNTER REAR ELEVATION (COUNTER #1)
SCALE: 1"=1'-0"

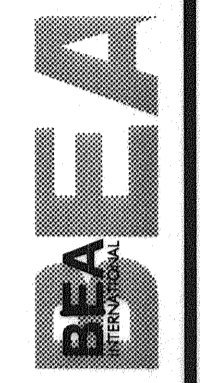


SECTION A
SCALE: 1"=1'-0"

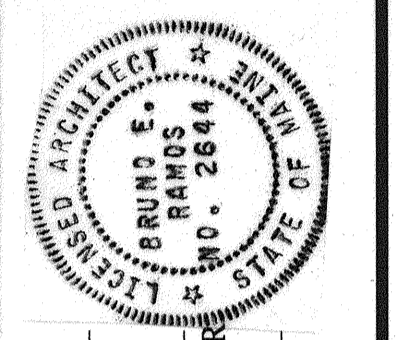


SECTION B
SCALE: 1"=1'-0"

IN ASSOCIATION WITH:
GORRILL-PALMER CONSULTING ENGINEERS
PERATROVICH, NOTTINGHAM, & DRAGE
ARCHITECTS
HALEY & ALDRICH



STATE OF MAINE
DEPARTMENT OF TRANSPORTATION
PROJECT NUMBER 009215.00
PIN 009215.00



PROJ. MANAGER	PAUL POTTLE
DESIGN-DETAILED	
CHECKED-REVIEWED	
DESIGN2-DETAILED2	
DESIGN3-DETAILED3	
REVISIONS 1	
REVISIONS 2	
REVISIONS 3	
REVISIONS 4	
FIELD CHANGES	

DATE: _____ BY: _____
SIGNATURE: _____
P. LICENSE NUMBER: ARC 2644
DATE: 10/8/2004

CITY OF PORTLAND
OCEAN GATEWAY PHASE 1
MILLWORK DETAILS

A1002-R