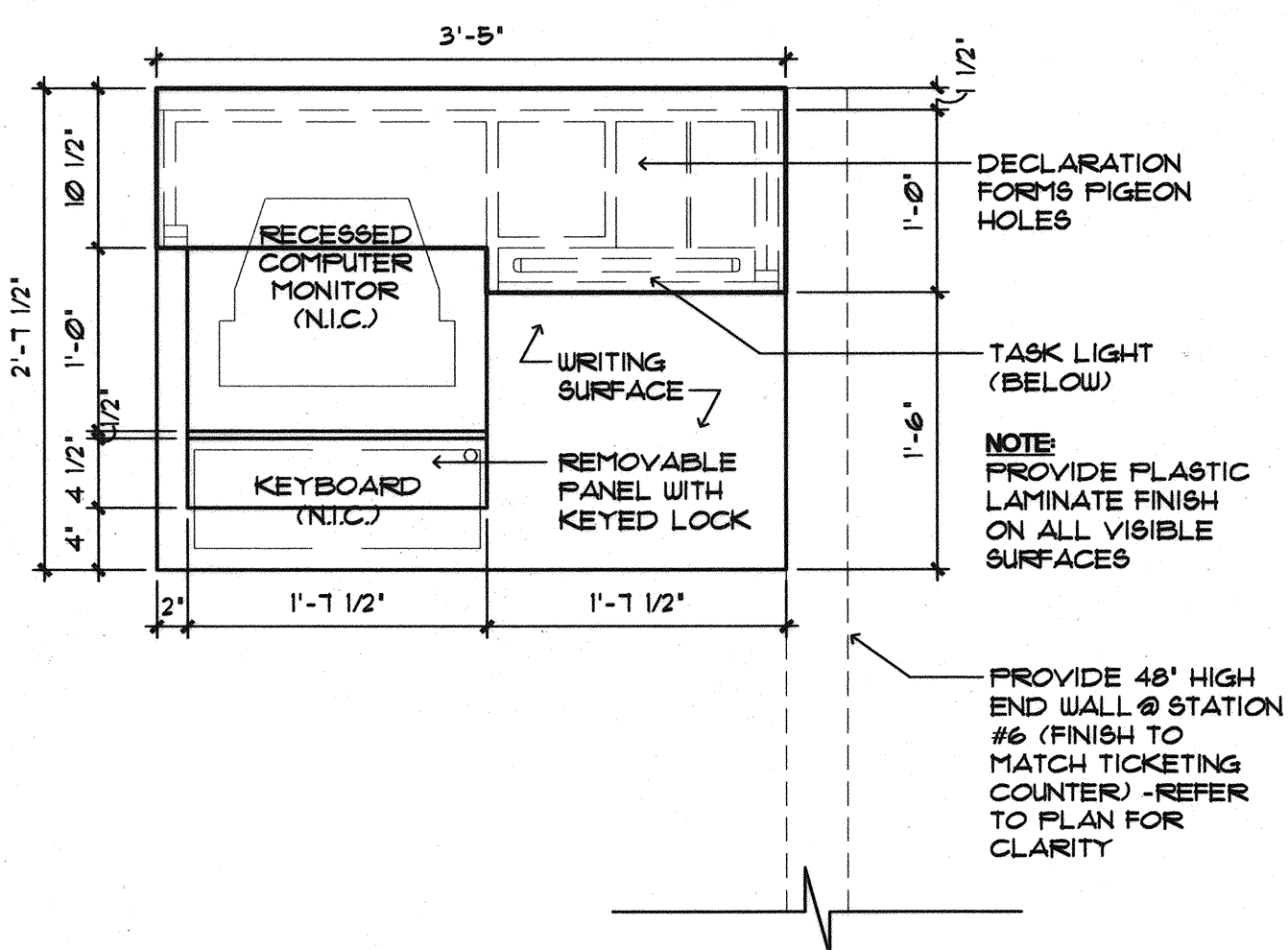
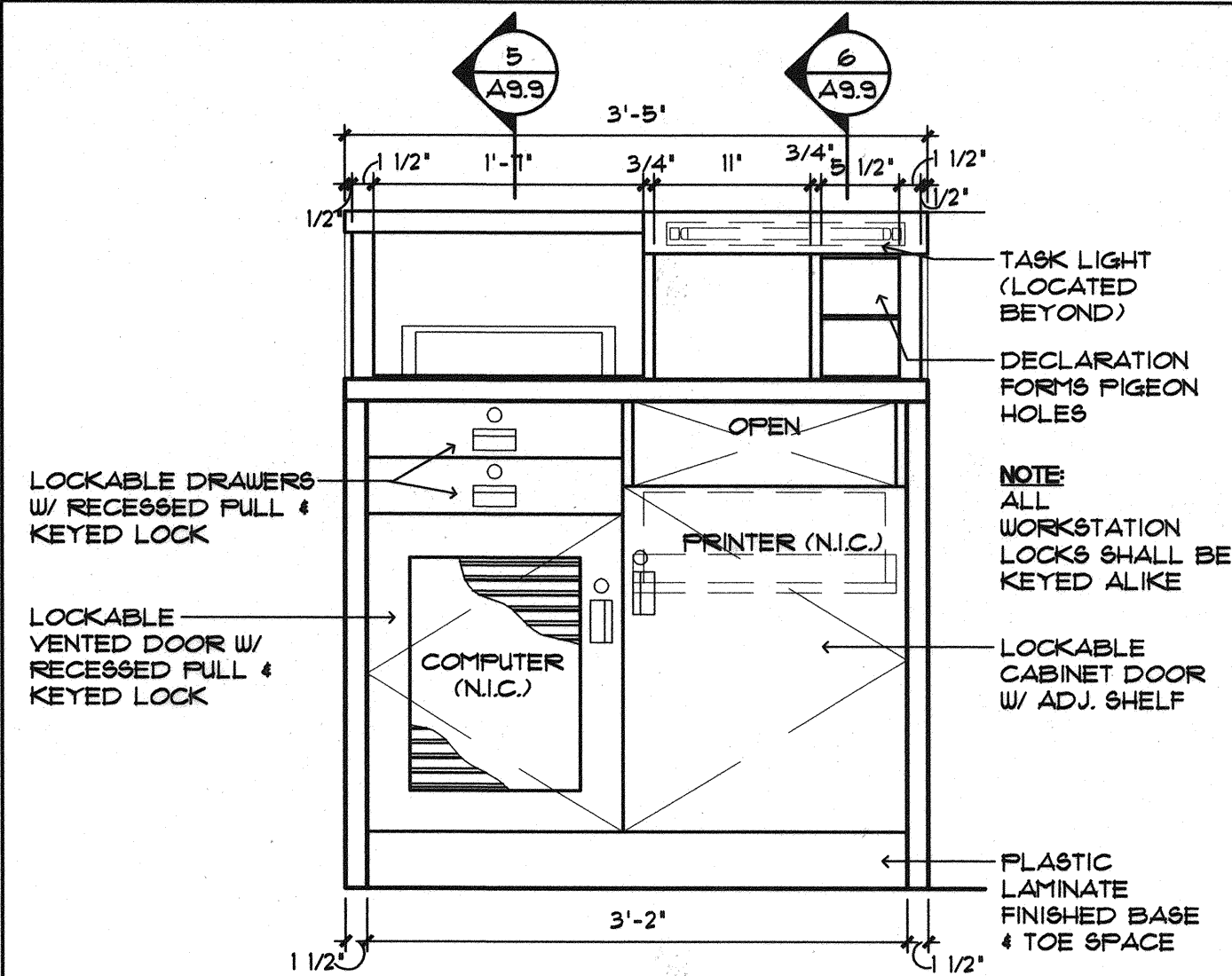


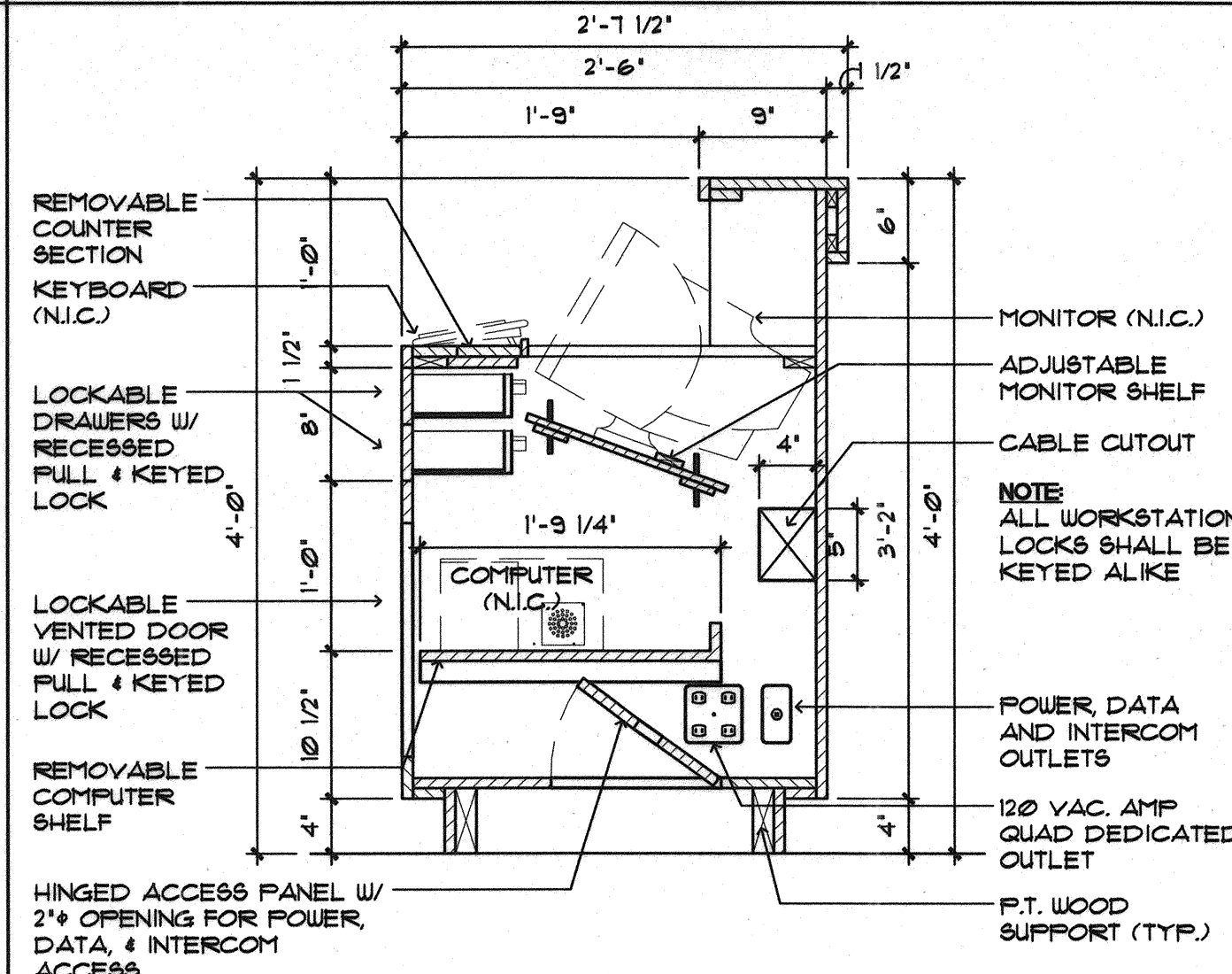
ENLARGED TICKETING COUNTER PLAN
SCALE: 3/8" = 1'-0"



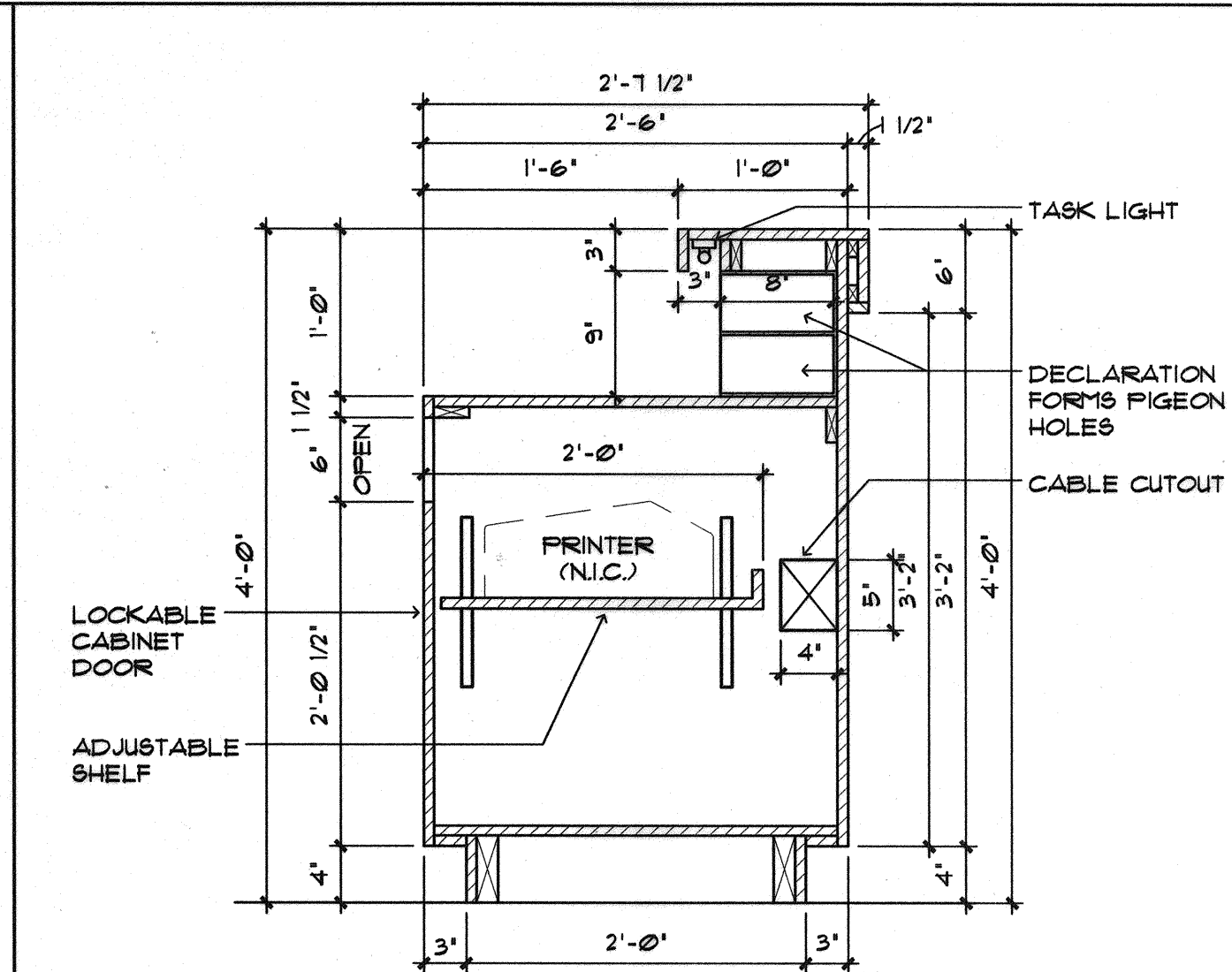
PARTIAL ENLARGED TICKETING COUNTER PLAN (COUNTERS 2 THROUGH 6)
SCALE: 1" = 1'-0"



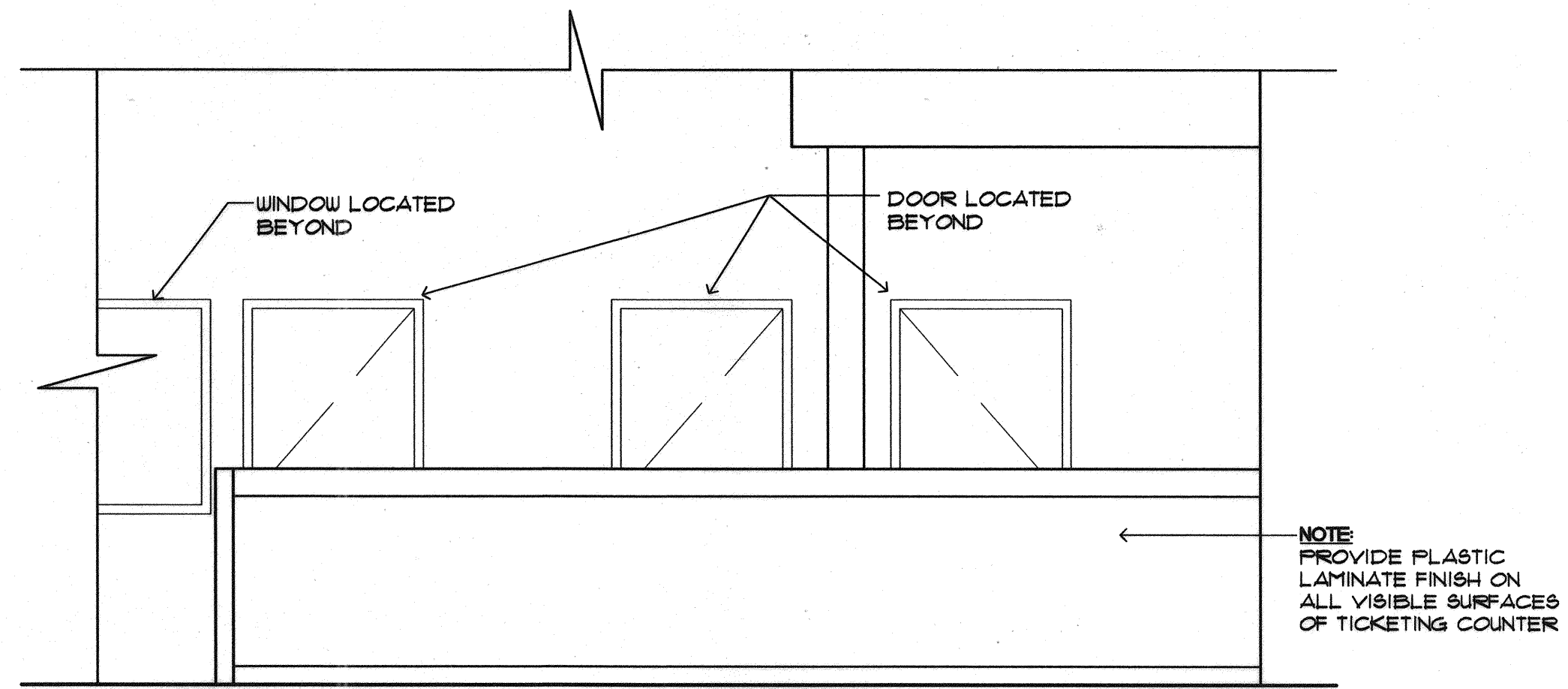
PARTIAL TICKETING COUNTER REAR ELEVATION (COUNTERS 2 THROUGH 6)
SCALE: 1" = 1'-0"



SECTION A
SCALE: 1" = 1'-0"



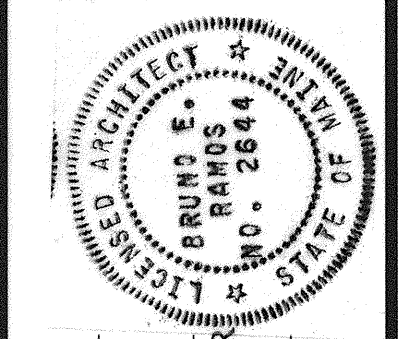
SECTION B
SCALE: 1" = 1'-0"



TICKETING COUNTER FRONT ELEVATION
SCALE: 3/8" = 1'-0"

BEA
IN ASSOCIATION WITH:
GORRILL-PALMER CONSULTING ENGINEERS
FERATOVICH, NOTTINGHAM, & DRAGE
WINTON SCOTT ARCHITECTS
HALEY & ALDRICH

STATE OF MAINE
DEPARTMENT OF TRANSPORTATION
PROJECT NUMBER 009215.00
PIN 009215.00



PROJ. MANAGER	PAUL POTLE
DESIGN-DETAILED	
CHECKED-REVIEWED	
DESIGN-DETAILED2	
DESIGN-DETAILED3	
REVISIONS 1	
REVISIONS 2	
REVISIONS 3	
REVISIONS 4	
FIELD CHANGES	

DATE: _____ BY: _____
SIGNATURE: _____
P. LICENCE NUMBER: ARC 2644
DATE: 10/8/2004

CITY OF PORTLAND
OCEAN GATEWAY PHASE 1
MILLWORK DETAILS

A1001-R