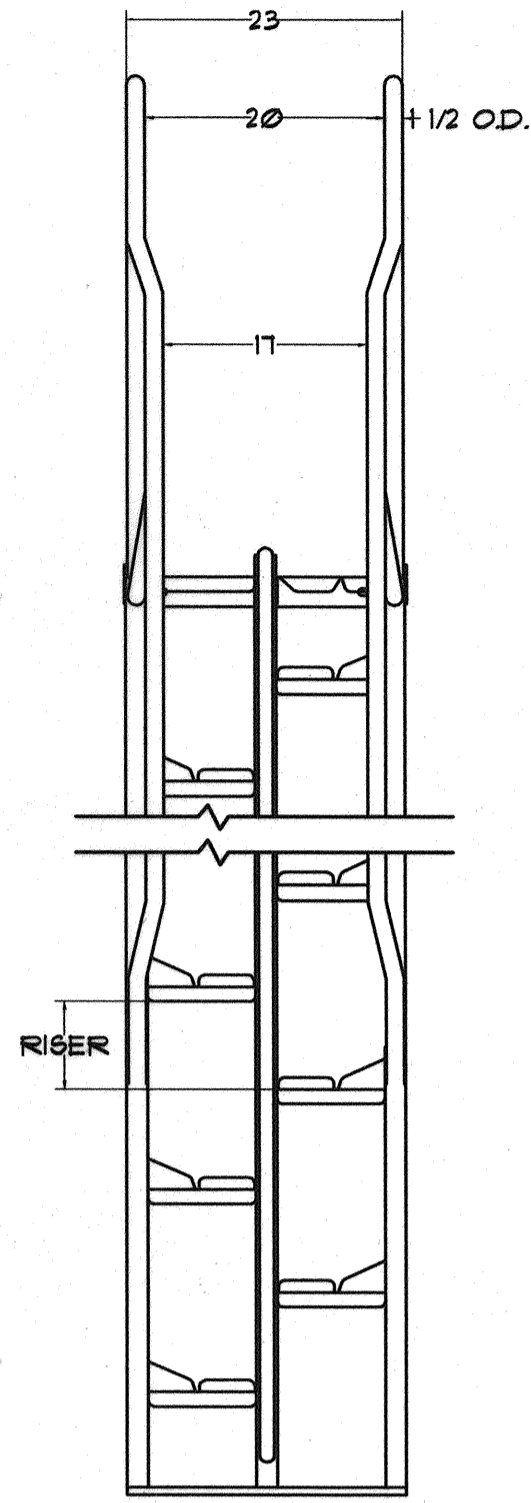
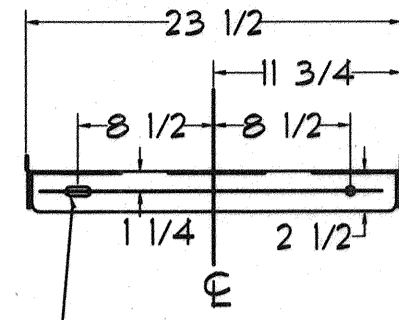


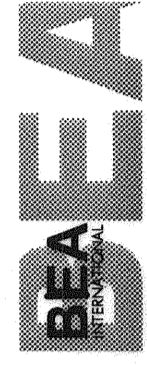
ALUMINUM LADDER SECTION
SCALE: 3/4"=1'-0"



ALUMINUM LADDER ELEVATION
SCALE: 3/4"=1'-0"

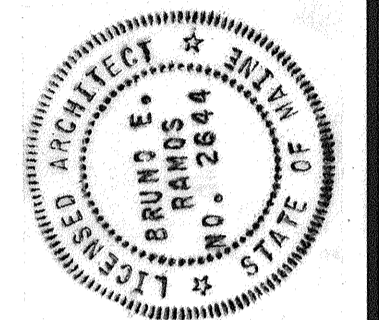


LADDER ALUMINUM TREAD
SCALE: 1"=1'-0"



IN ASSOCIATION WITH:
GORRILL-PALMER CONSULTING ENGINEERS
PERATROVICH, NOTTINGHAM, & DRAGE
WINTON SCOTT ARCHITECTS
HALEY & ALDRICH

STATE OF MAINE
DEPARTMENT OF TRANSPORTATION
PROJECT NUMBER 009215.00
PIN
009215.00



P. Pottle
SIGNATURE
P. LICENSE NUMBER
ARC 2664
DATE
10/8/2004

PROJ. MANAGER	PAUL POTTLE	BY	DATE
DESIGN-DETAILED			
CHECKED-REVIEWED			
DESIGN-DETAILED2			
DESIGN-DETAILED3			
REVISIONS 1			
REVISIONS 2			
REVISIONS 3			
REVISIONS 4			
FIELD CHANGES			

CITY OF PORTLAND
OCEAN GATEWAY PHASE 1
STAIR DETAILS

A800-R