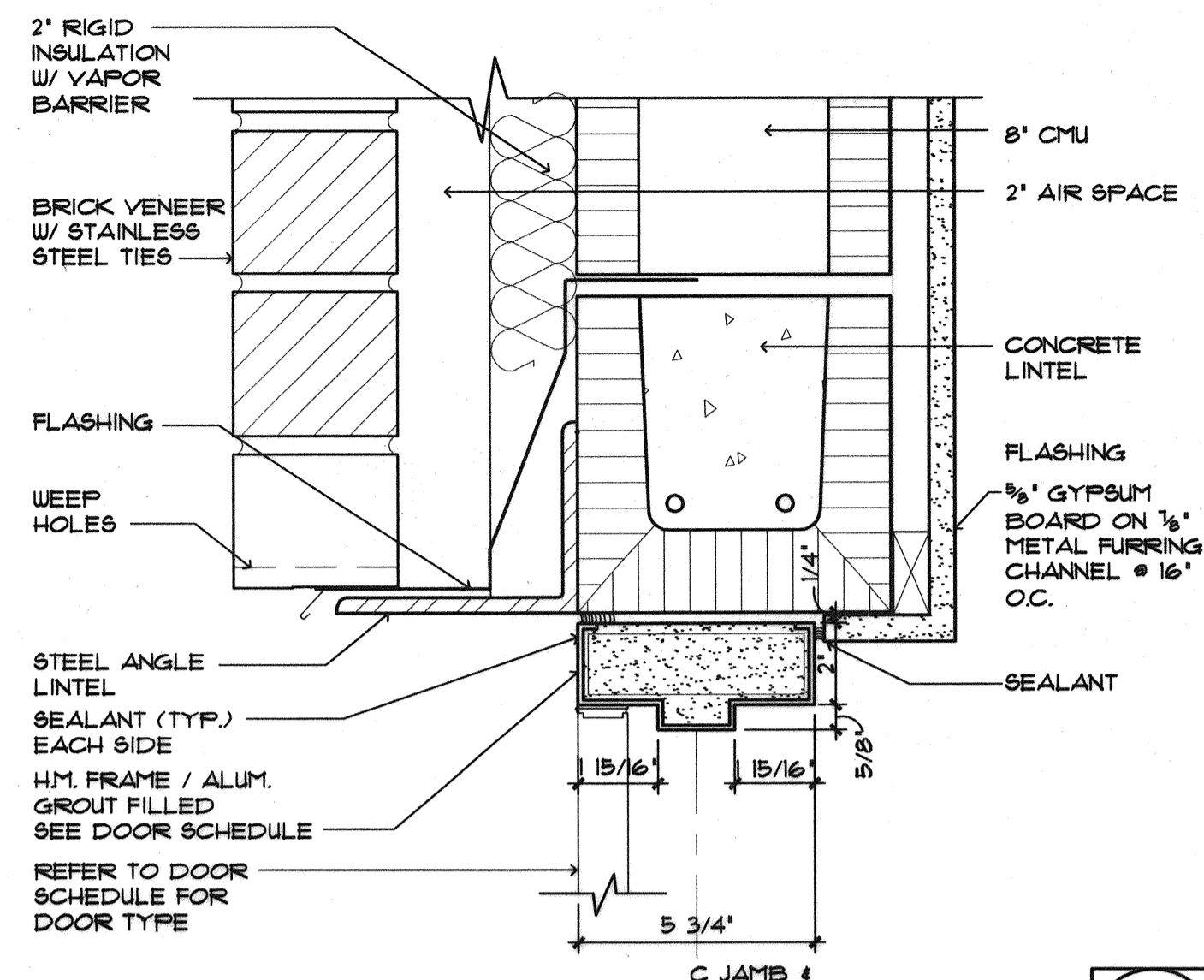
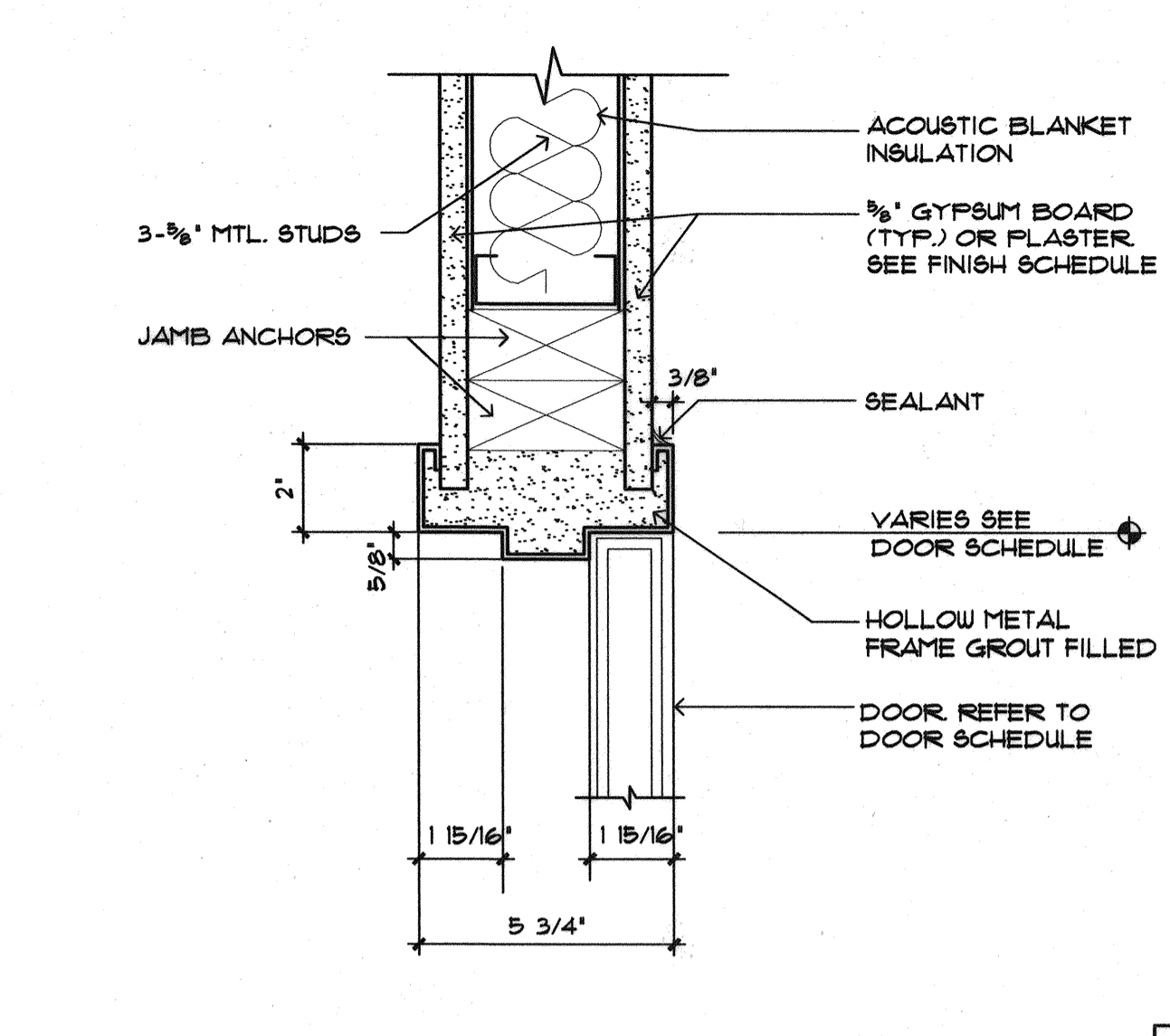


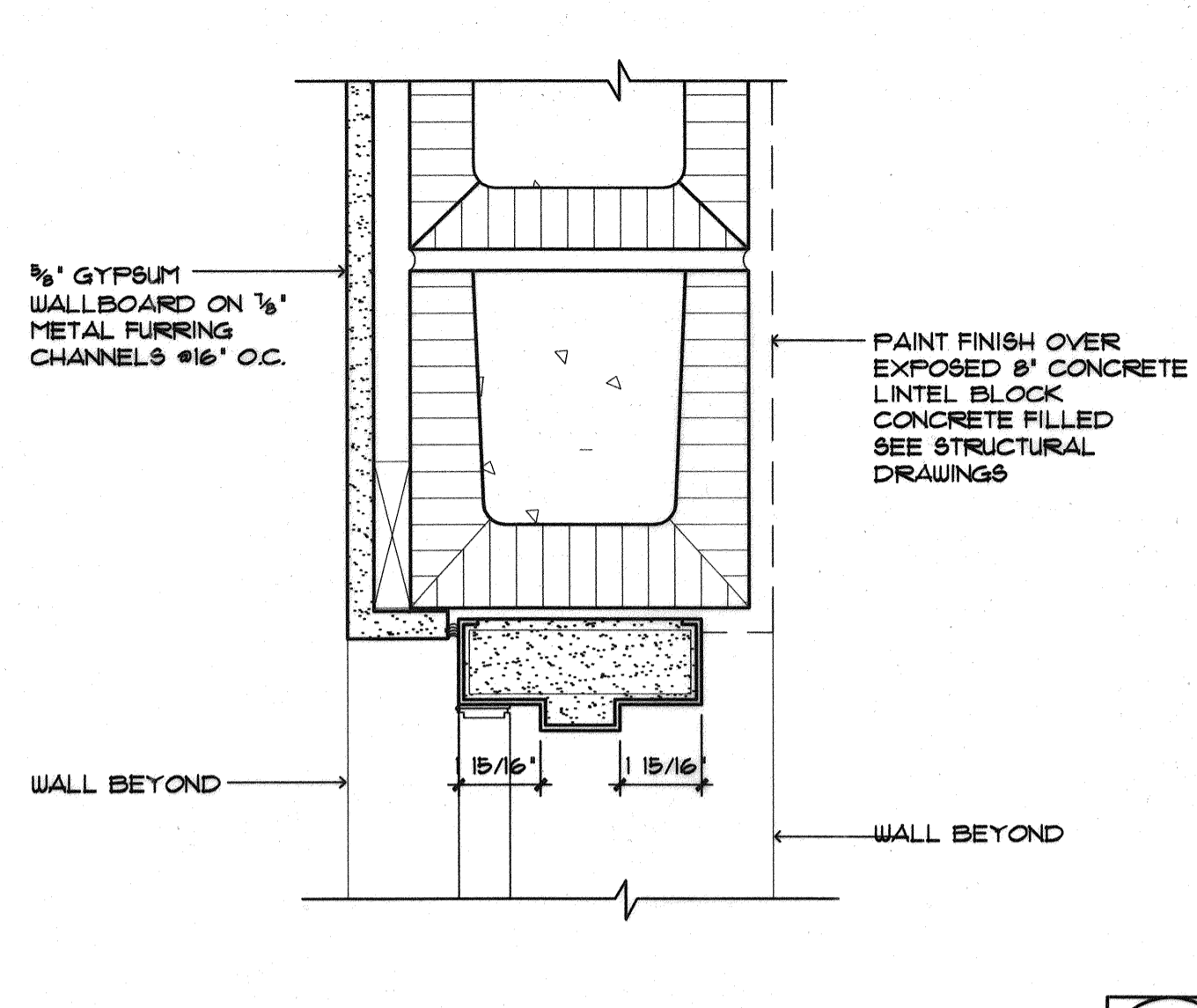
Filename: I:\Server\projects\02-0819 Maine Int. Ferry Terminal\PHASE 1\Architecture\FINAL CONSTRUCTION DOCUMENTS\RECEIVING STATION\2004\3802-R-A603.dwg, Oct 07, 2004 - 6:42pm



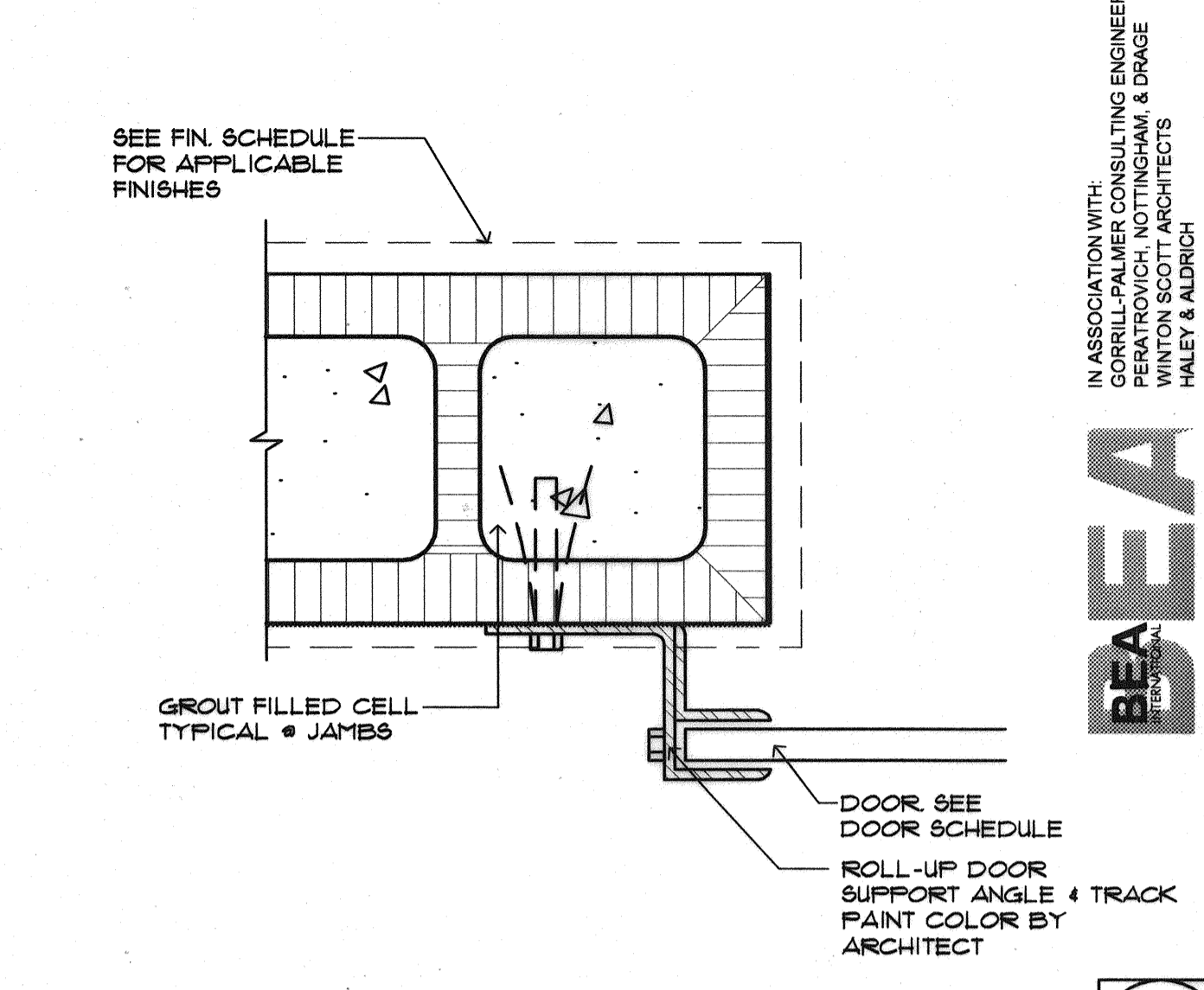
1
DOOR HEADER DETAIL
 SCALE: 3' = 1'-0"



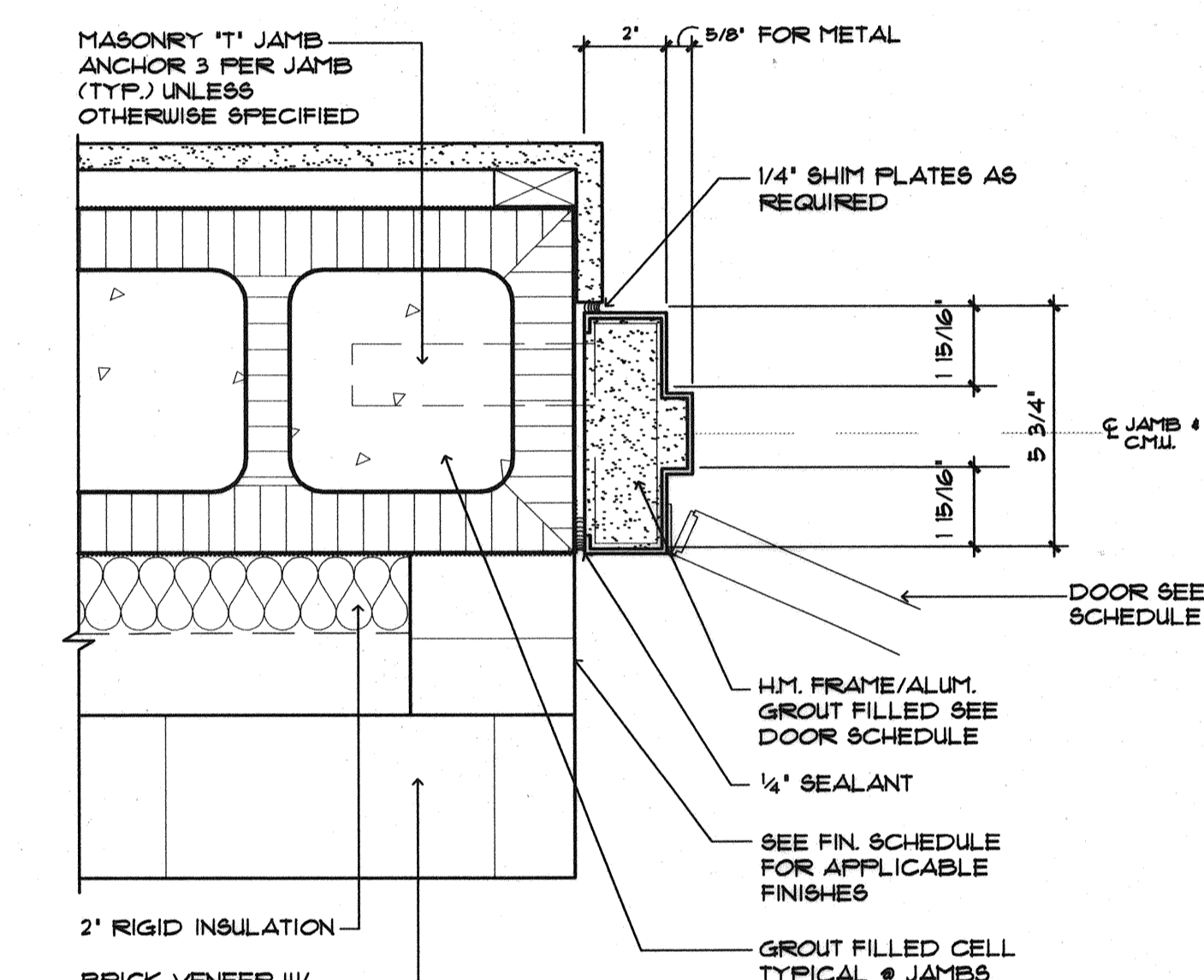
2
DOOR HEADER DETAIL
 SCALE: 3' = 1'-0"



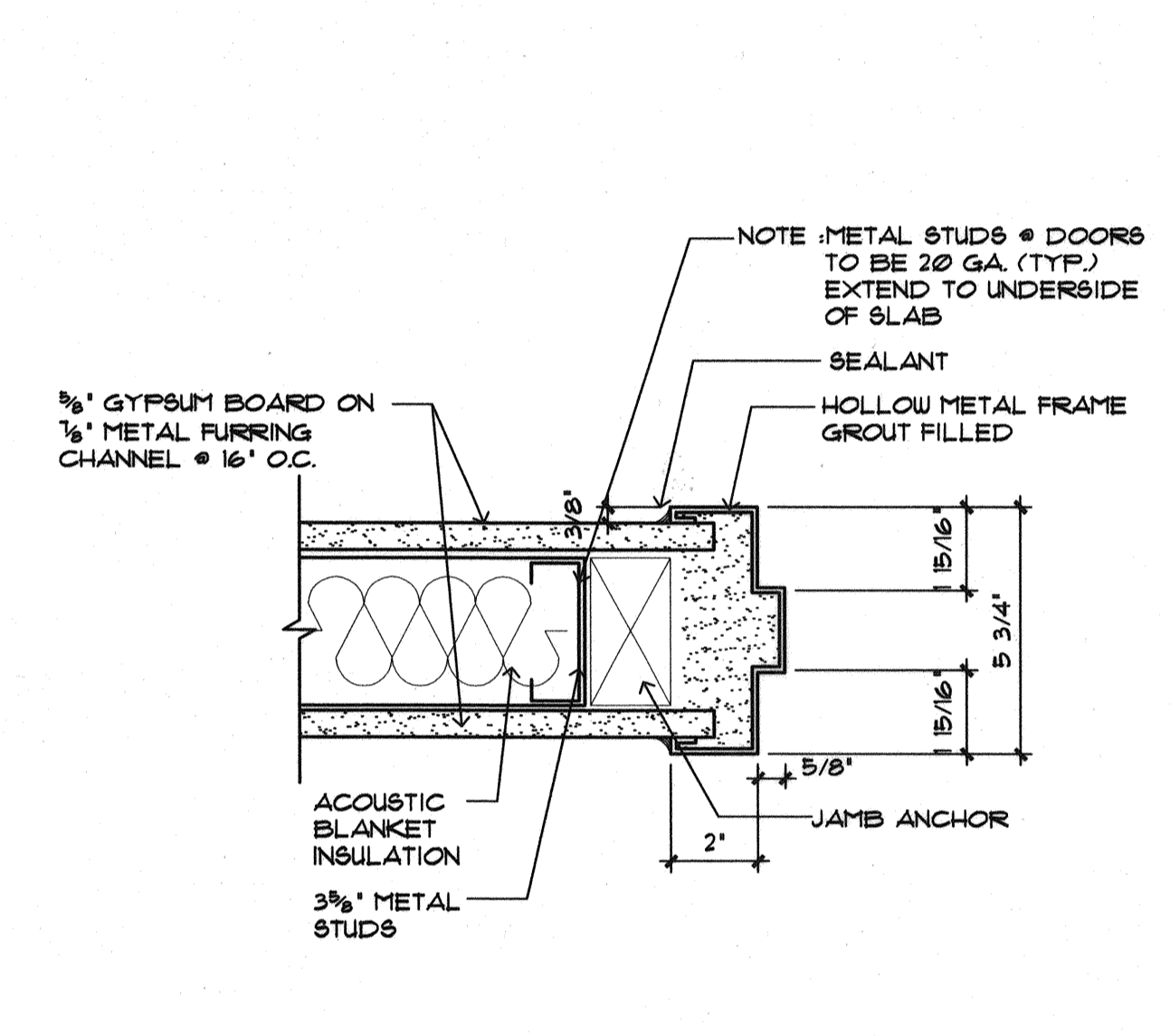
3
DOOR HEADER DETAIL
 SCALE: 3' = 1'-0"



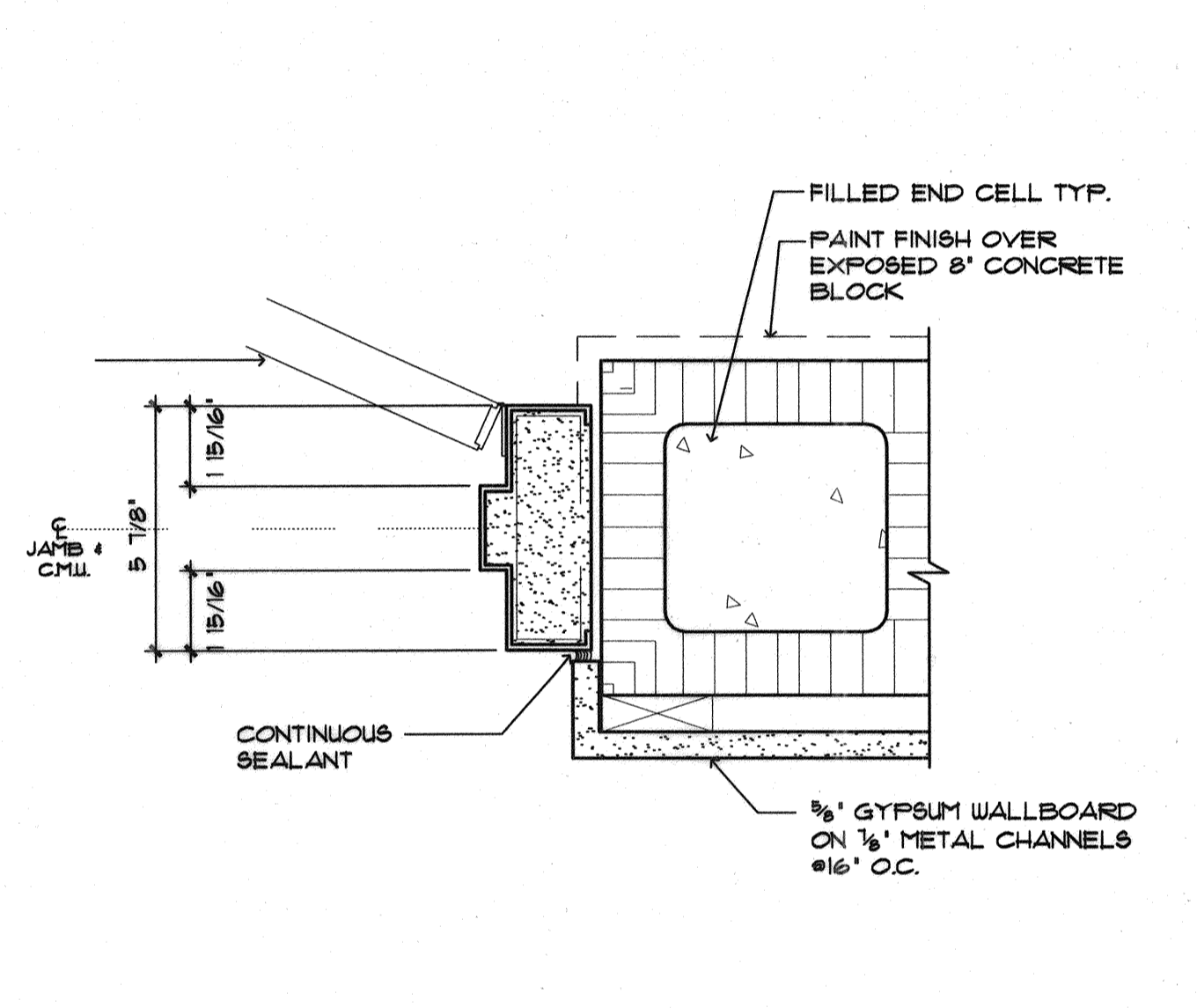
4
DOOR JAMB DETAIL
 SCALE: 3' = 1'-0"



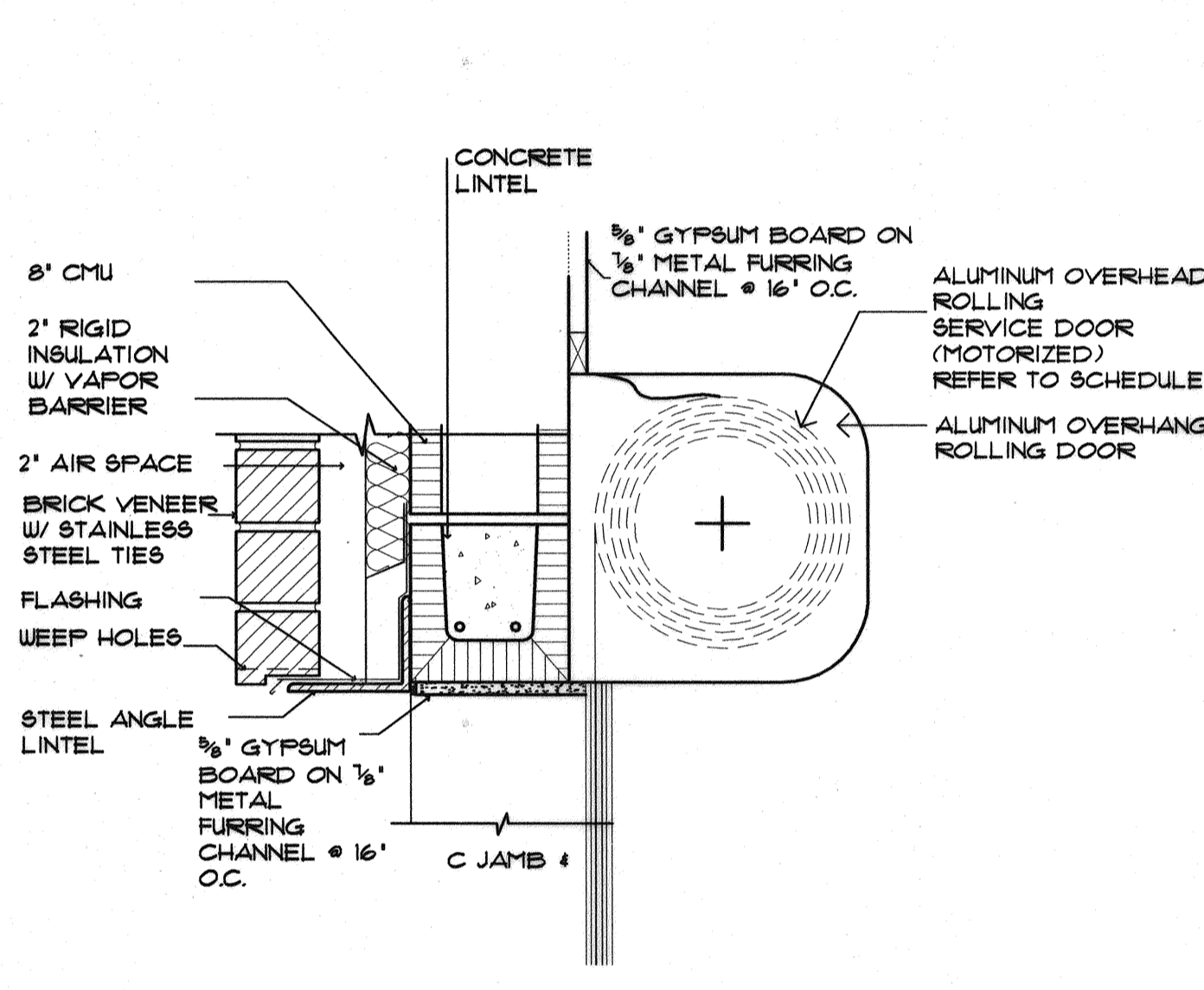
5
DOOR JAMB DETAIL
 SCALE: 3' = 1'-0"



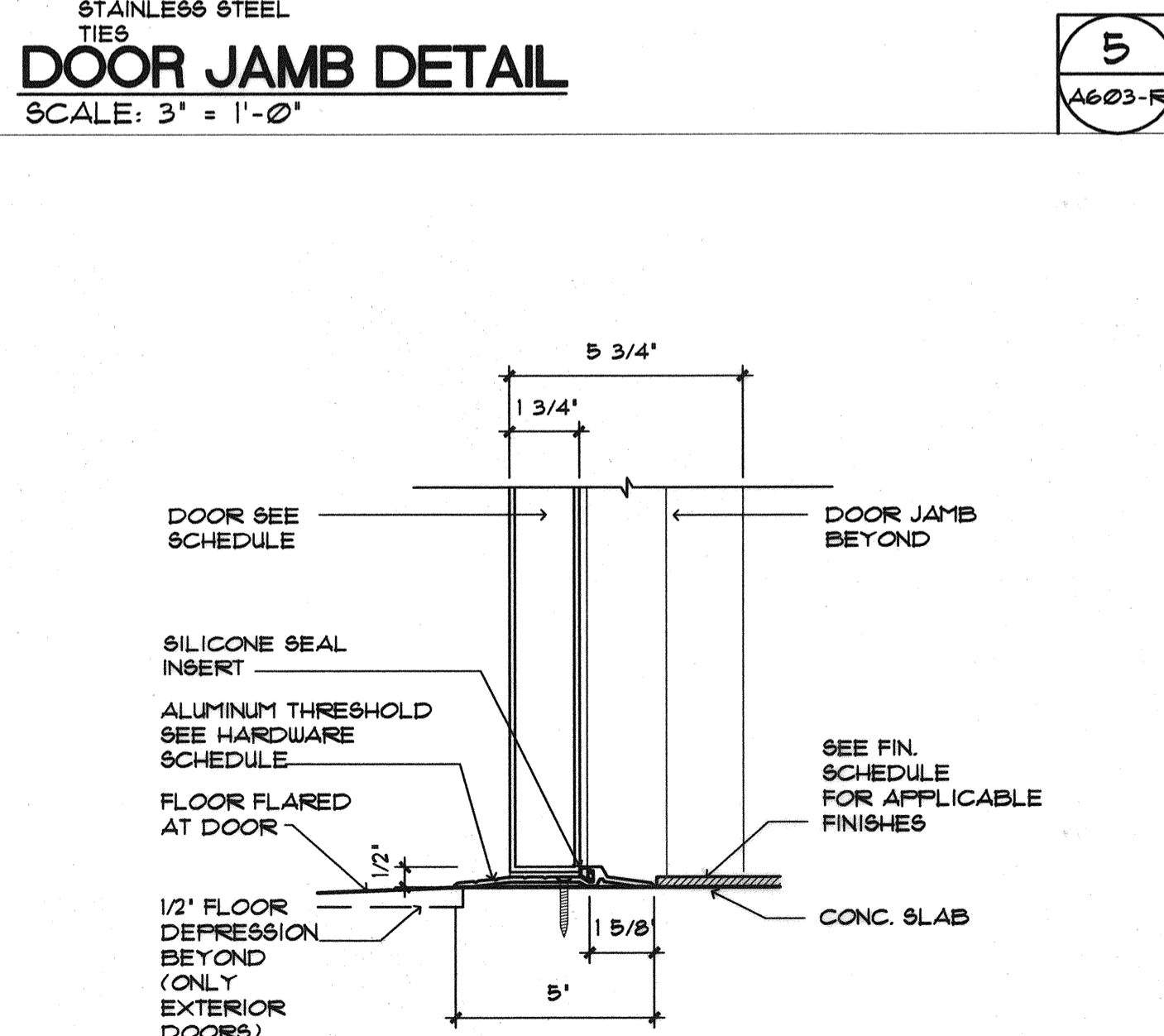
6
DOOR JAMB DETAIL
 SCALE: 3' = 1'-0"



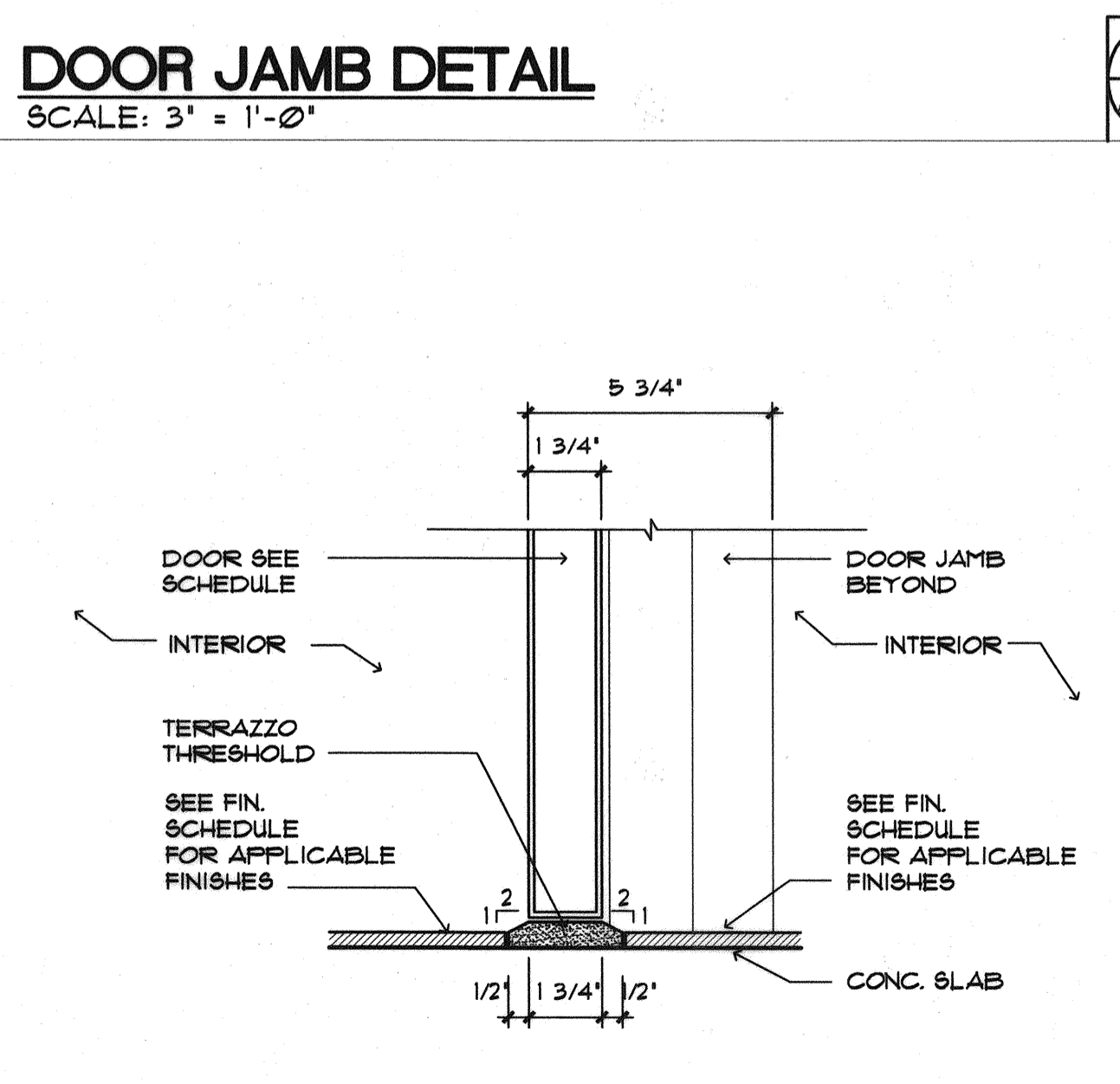
7
DOOR JAMB DETAIL
 SCALE: 3' = 1'-0"



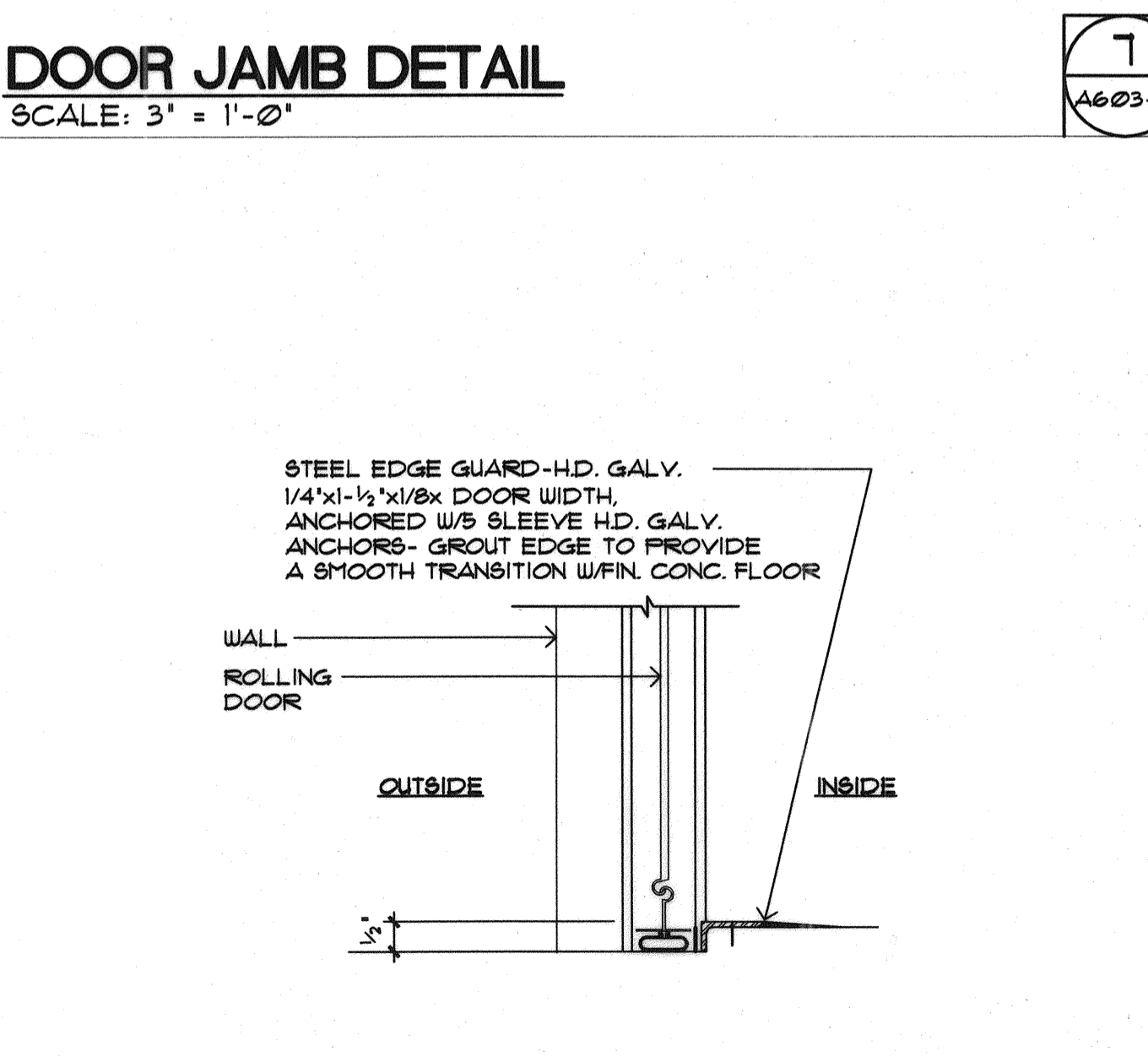
8
DOOR HEADER DETAIL
 SCALE: 1 1/2' = 1'-0"



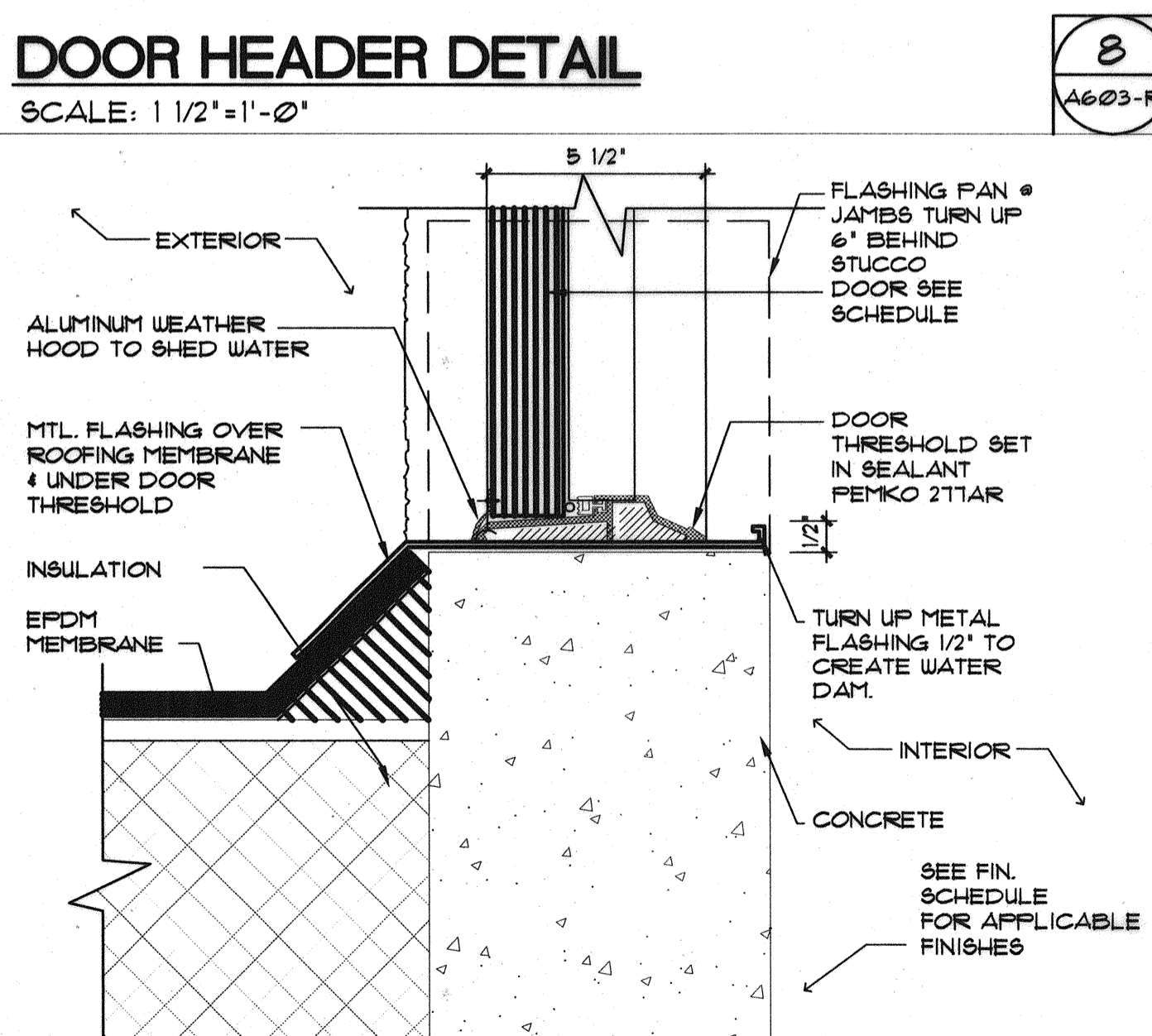
9
DOOR SILL DETAIL
 SCALE: 3' = 1'-0"



10
DOOR SILL DETAIL
 SCALE: 3' = 1'-0"



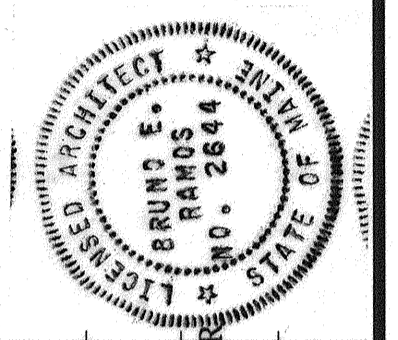
11
DOOR SILL DETAIL
 SCALE: 3' = 1'-0"



12
DOOR SILL DETAIL
 SCALE: 3' = 1'-0"

IN ASSOCIATION WITH:
 GORRILL-PALMER CONSULTING ENGINEERS
 BERTHROCK, NOTTINGHAM & DRAGE
 WOODS BAGOT
 HALEY & ALDRICH
BEA

STATE OF MAINE
 DEPARTMENT OF TRANSPORTATION
 PROJECT NUMBER 009215.00
 PIN 009215.00



SIGNATURE	DATE
PAUL POTTLE	
P. LICENCE NUMBER	DATE
ARC 5644	10/8/2004
REVISIONS	FIELD CHANGES
1	
2	
3	
4	

CITY OF PORTLAND
 OCEAN GATEWAY PHASE 1
 DOOR DETAILS

A603-R