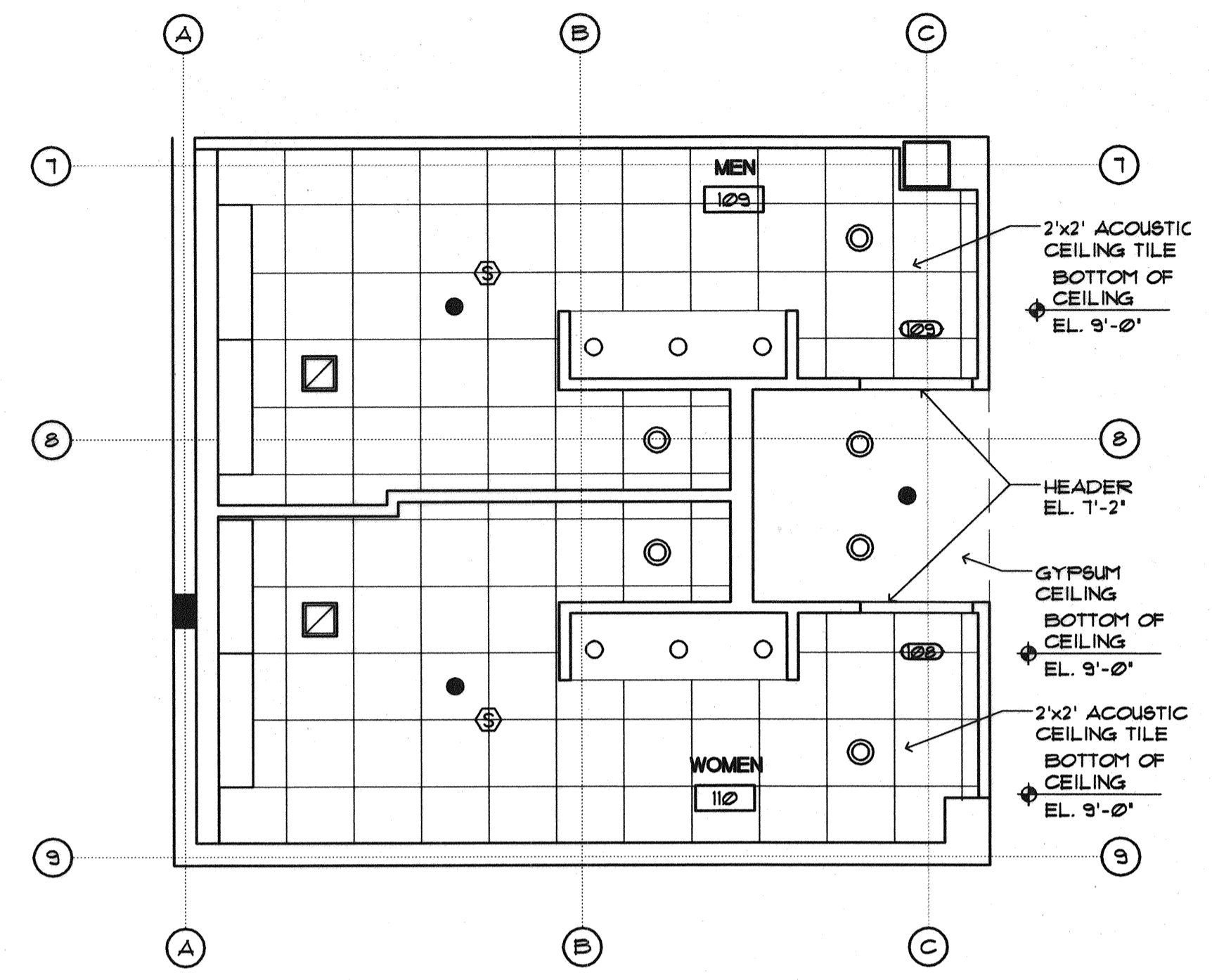


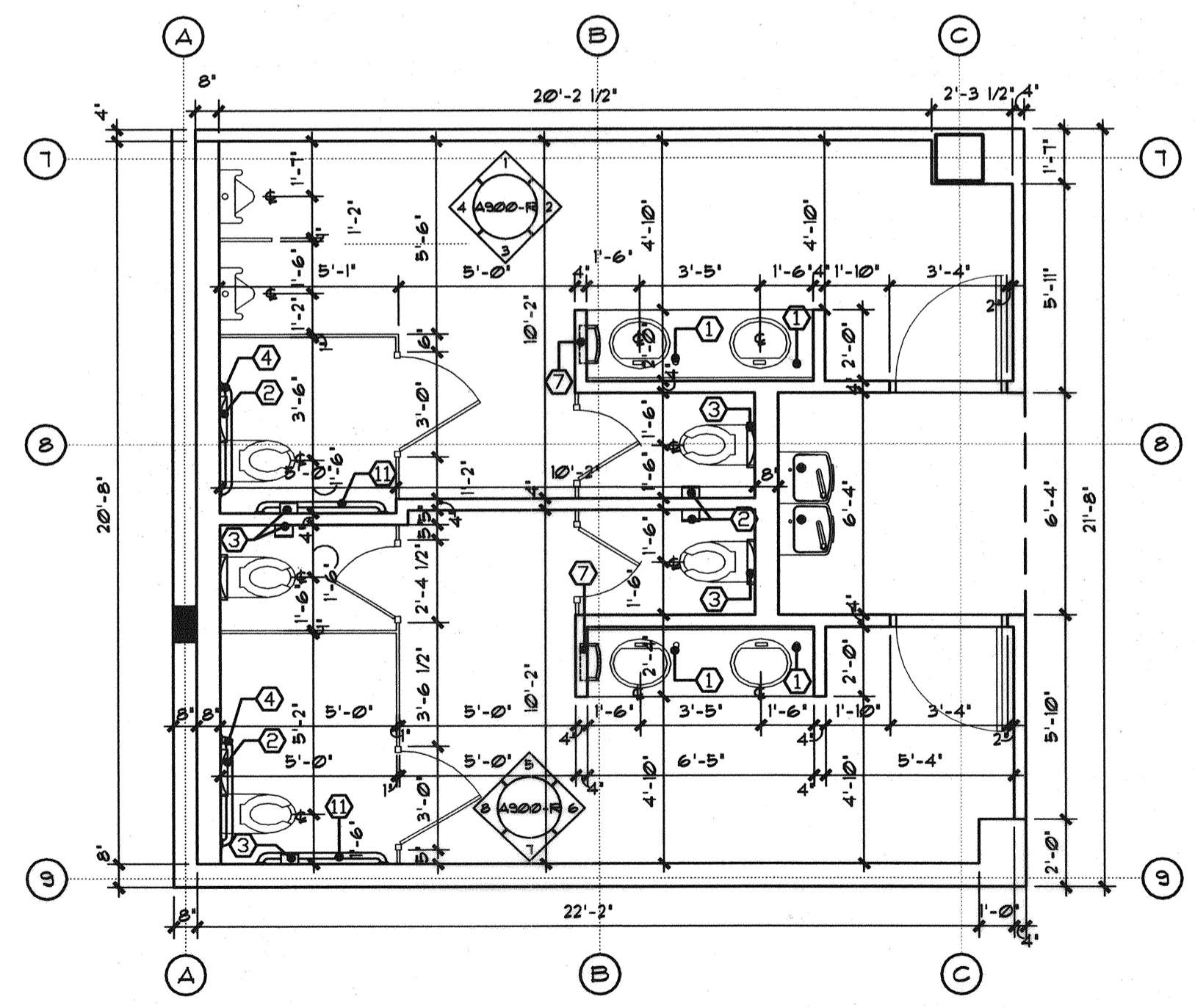
PROJ. MANAGER	PAUL POTLITZ
DESIGN-DETAILED	
CHECKED-REVIEWED	
DESIGN-DETAILED	
DESIGN-DETAILED	
REVISIONS 1	
REVISIONS 2	
REVISIONS 3	
REVISIONS 4	
FIELD CHANGES	

CITY OF PORTLAND
 OCEAN GATEWAY PHASE 1
 RESTROOM DETAILS

A401-R
 193 OF 288



ENLARGED RESTROOM REFLECTED CEILING PLAN
 SCALE: 1/4"=1'-0"



ENLARGED RESTROOM FLOOR PLAN
 SCALE: 1/4"=1'-0"

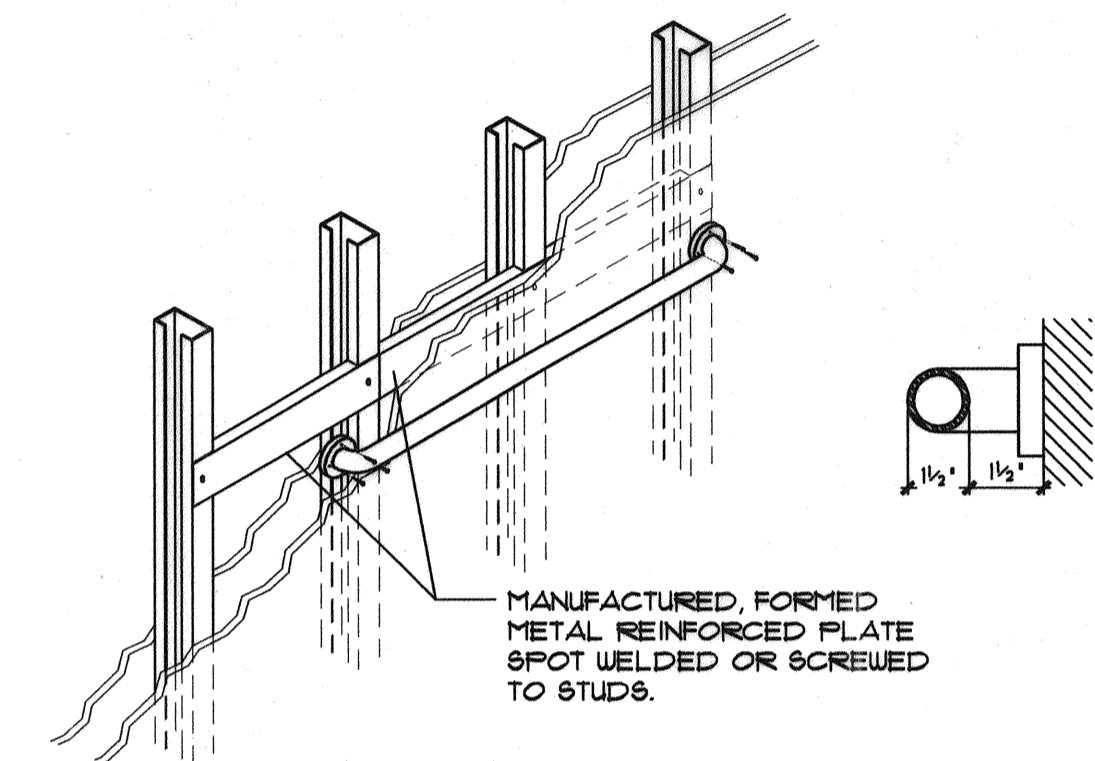
RESTROOM ACCESSORIES		
#	DESCRIPTION	MOUNTING HEIGHT AFF. UNLESS OTHERWISE NOTED
1	LAVATORY MOUNTED LATHER SOAP VALVE	HCP COUNTER STD. HEIGHT
2	RECESSED TOILET SEAT COVER DISPENSER	HCP 44 1/2" T.O.U. STD. 60" T.O.U.
3	TOILET PAPER HOLDER FOR TWO ROLLS	HCP 18" B.O.U. STD. 31" T.O.U.
4	3/8" STAINLESS STEEL GRAB BAR 1 1/2" DIAMETER CONCEALED MOUNTING	HCP 33" T.O.U. STD.
5	RECESSED NAPKIN - TAMPON DISPENSER	HCP 52" T.O.U. STD. 69" T.O.U.
6	HANDICAP MIRROR	HCP 40" B.O.U. STD. N/A
7	RECESSED COMBINATION PAPER TOWEL DISPENSER AND WASTE RECEPTACLE	HCP 52 3/4" T.O.U. STD. 71" T.O.U.
8	COAT HOOK & BUMPER	HCP 3'-6" STD. 5'-0"
9	SURFACE MOUNTED PAPER TOWEL DISPENSER	HCP 3'-10" T.O.U. STD. N/A
10	SURFACE MOUNTED WASTE RECEPTACLE	HCP 2'-2" T.O.U. STD. N/A
11	42" STAINLESS STEEL GRAB BAR 1 1/2" DIAMETER CONCEALED MOUNTING	HCP 33" T.O.U. STD.
12	MIRROR	HCP ----- STD. ---
13	SURFACE MOUNTED LATHER SOAP DISPENSER	HCP 44" B.O.U. STD. 44" MAX. B.O.U.

NOTES: T.O.U. = TOP OF UNIT B.O.U. = BOTTOM OF UNIT HCP = HANDICAPPED AFF. = ABOVE FINISHED FLOOR

GENERAL RESTROOM NOTES:

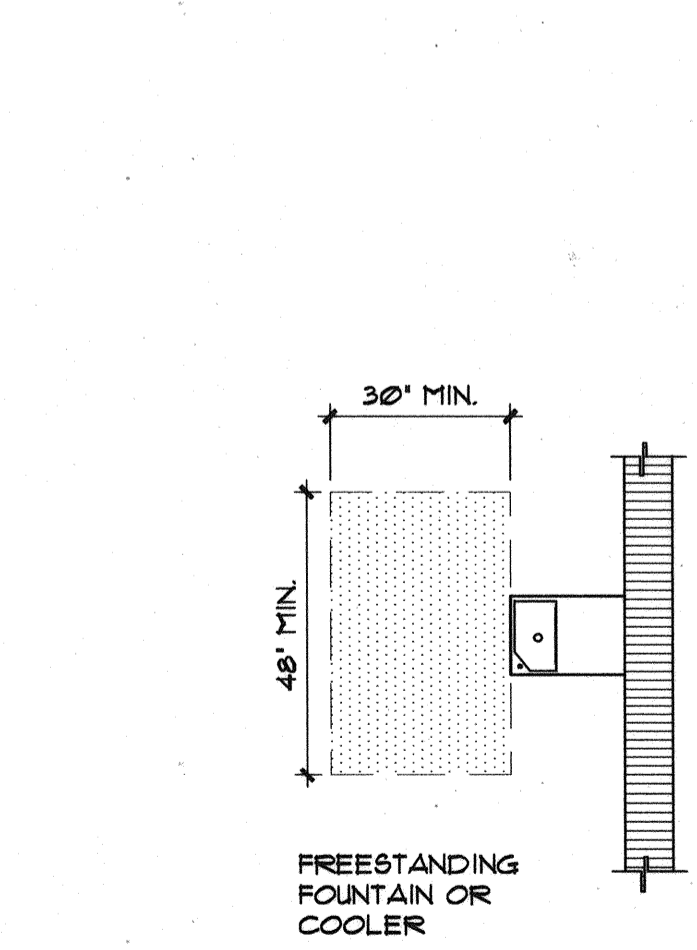
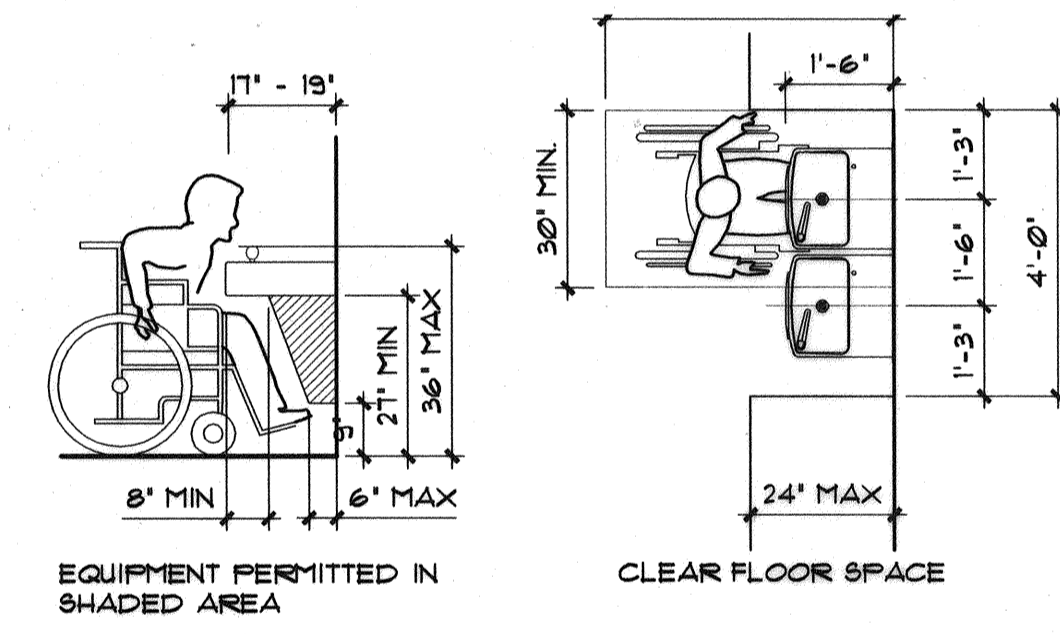
TOILET ROOMS SHALL CONFORM TO ALL ACCESSIBILITY REQUIREMENTS OF THE 'AMERICANS WITH DISABILITIES ACT (ADA)' INCLUDING, BUT NOT LIMITED TO, THE FOLLOWING

A. WATER CLOSETS SEAT HEIGHT - 17" - 19" AFF.
 B. CENTER LINE OF WATER CLOSET - 18" FROM SIDE WALL.
 C. TOILET PAPER DISPENSER - 36" MAX. FROM REAR WALL, 19" MIN. AFF.
 D. KNEE CLEARANCE AT LAVATORY - APRON 29" MIN. HT., 8" MIN. DEPTH.
 E. LAVATORY DEPTH - 17" MIN.
 F. LAVATORY HOT WATER AND DRAIN PIPES INSULATED WHEREVER EXPOSED.
 G. LAVATORY RIM SURFACE - 34" MAX. AFF.
 H. INTERNATIONAL SYMBOL OF ACCESSIBILITY SHALL BE MOUNTED IN THE VICINITY OF MAIN ENTRY

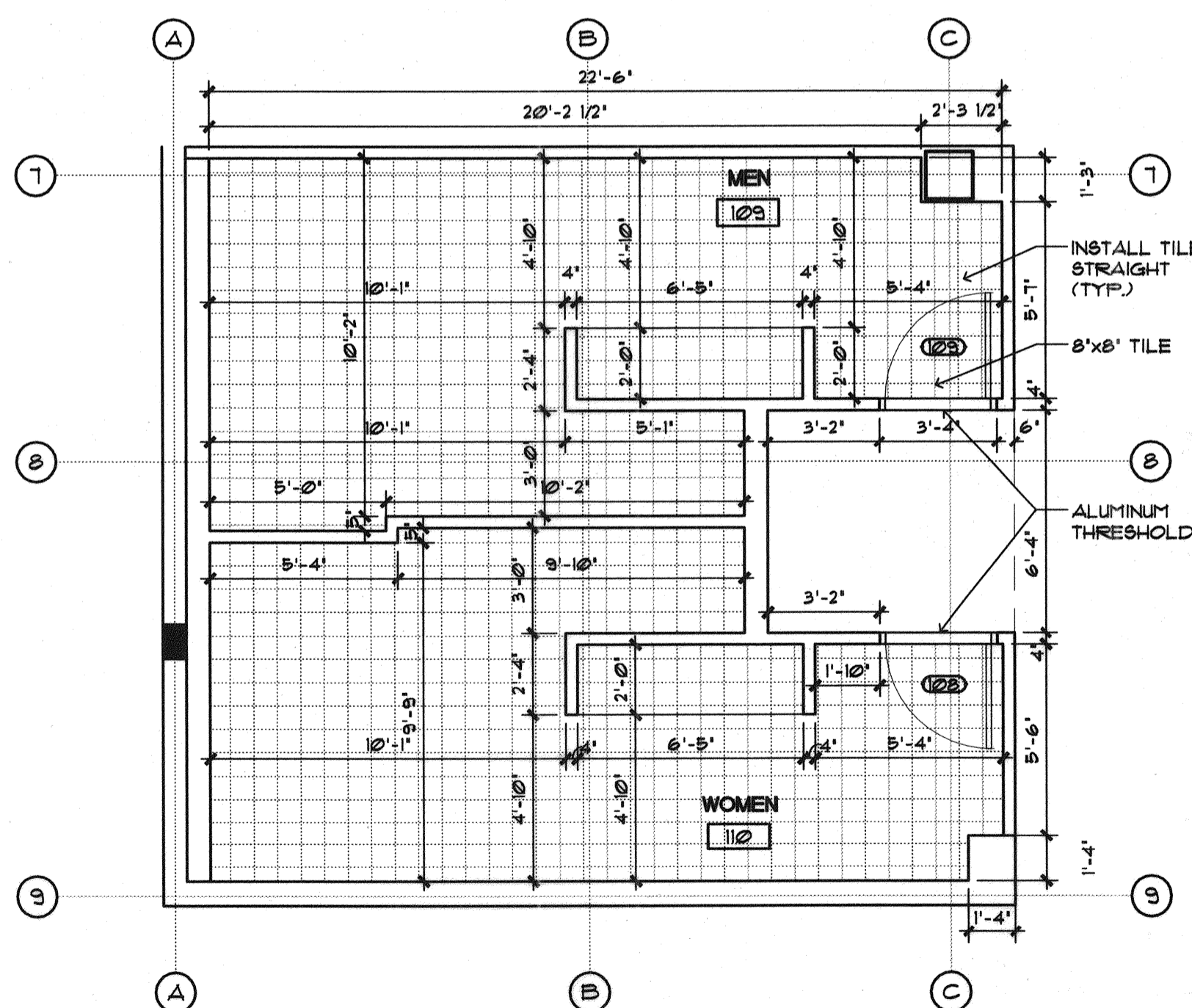


TYPICAL GRABBAR DETAIL
 SCALE: N.T.S.

FIXTURE LEGEND			
A1	RECESSED 2 x 4 FLUORECENT TROFFER WITH GRID CEILING FRAME	R4	PENDANT MOUNTED FIXTURE WITH GLASS AND ALUMINUM REFLECTOR
A2	RECESSED 2 x 2 FLUORECENT TROFFER WITH GRID CEILING FRAME	R5	PENDANT MOUNTED FIXTURE WITH ALUMINUM REFLECTOR
A3	RECESSED 1 x 4 TROFFER WITH FLUSH FRAME	SS	
A4	RECESSED 2 x 4 TROFFER WITH FLUSH FRAME	HVAC	DIFFUSER
J1	SURFACE CEILING FLUORECENT FIXTURE	HVAC	RETURN AIR GRILLE
R1	3-3/4" DIAMETER PENDANT MOUNTED FIXTURE WITH DIE-CAST ALUMINUM HOUSING	SPR	SPRINKLER HEAD
R2	3-1/2" DIAMETER PENDANT MOUNTED FIXTURE WITH DIE-CAST ALUMINUM HOUSING	CEM	CEILING MOUNTED EXIT LIGHT FIXTURE
		WML	WALL MOUNTED EXIT LIGHT FIXTURE



DRINKING FOUNTAIN
 SCALE: 1/2"=1'-0"



ENLARGED RESTROOM FLOOR TILE PLAN
 SCALE: 1/4"=1'-0"