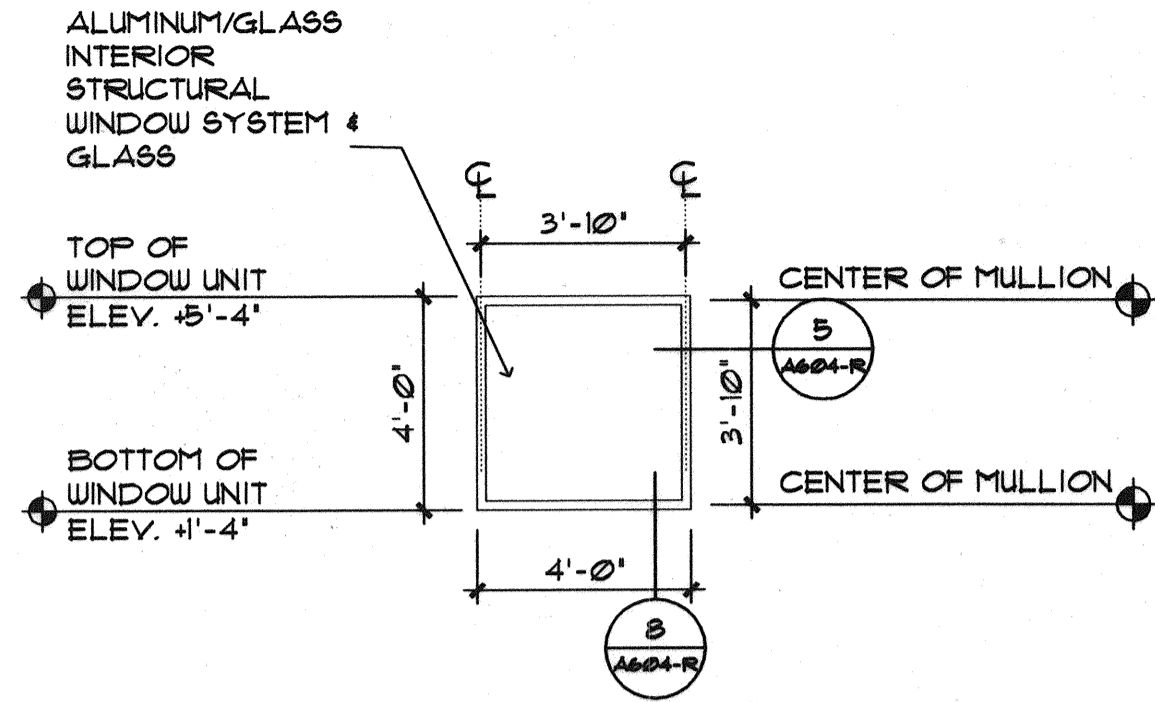
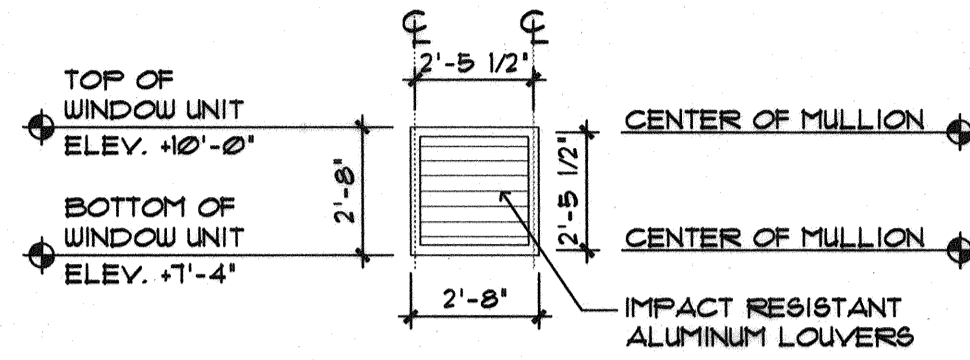


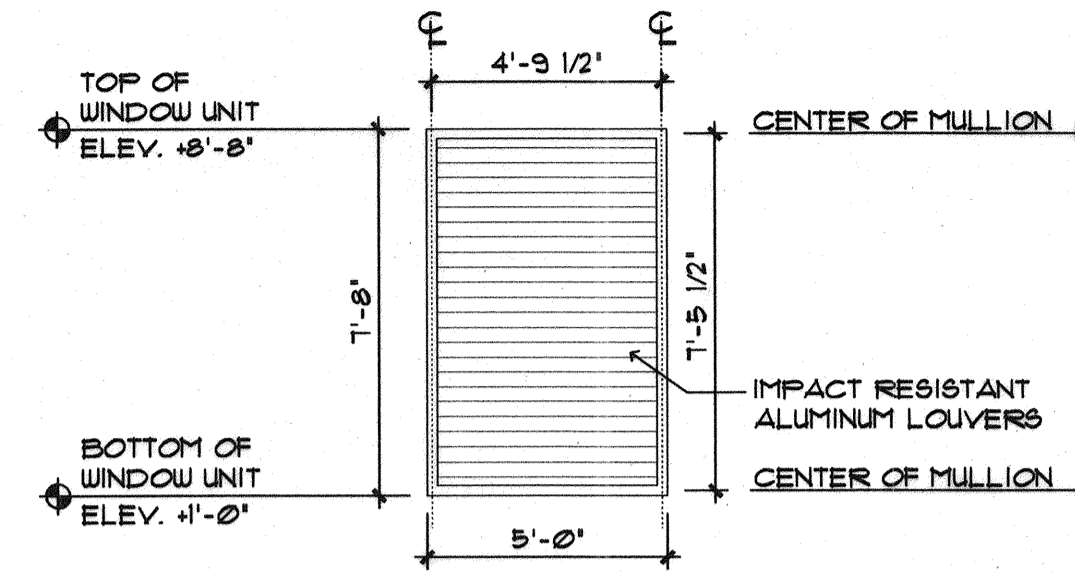
Filename: \\server1\projects\02-0818 Maine Int Ferry Terminal\PHASE 1\Architecture\FINAL CONSTRUCTION DOCUMENTS\RECEIVING STATION\20343802-R-A305.dwg, Oct 07, 2004 - 6:35pm



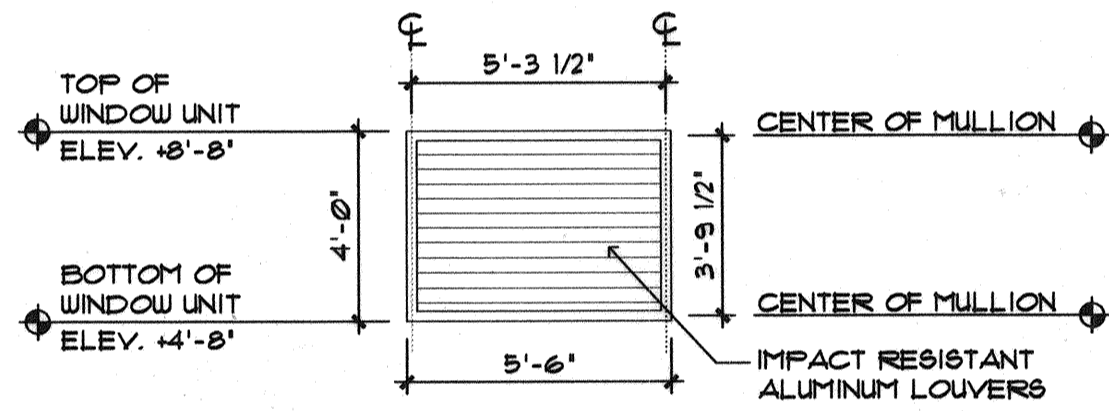
INTERIOR WINDOW UNIT TYPE "E"
SCALE: 1/4" = 1'-0"
TOTAL OF 2



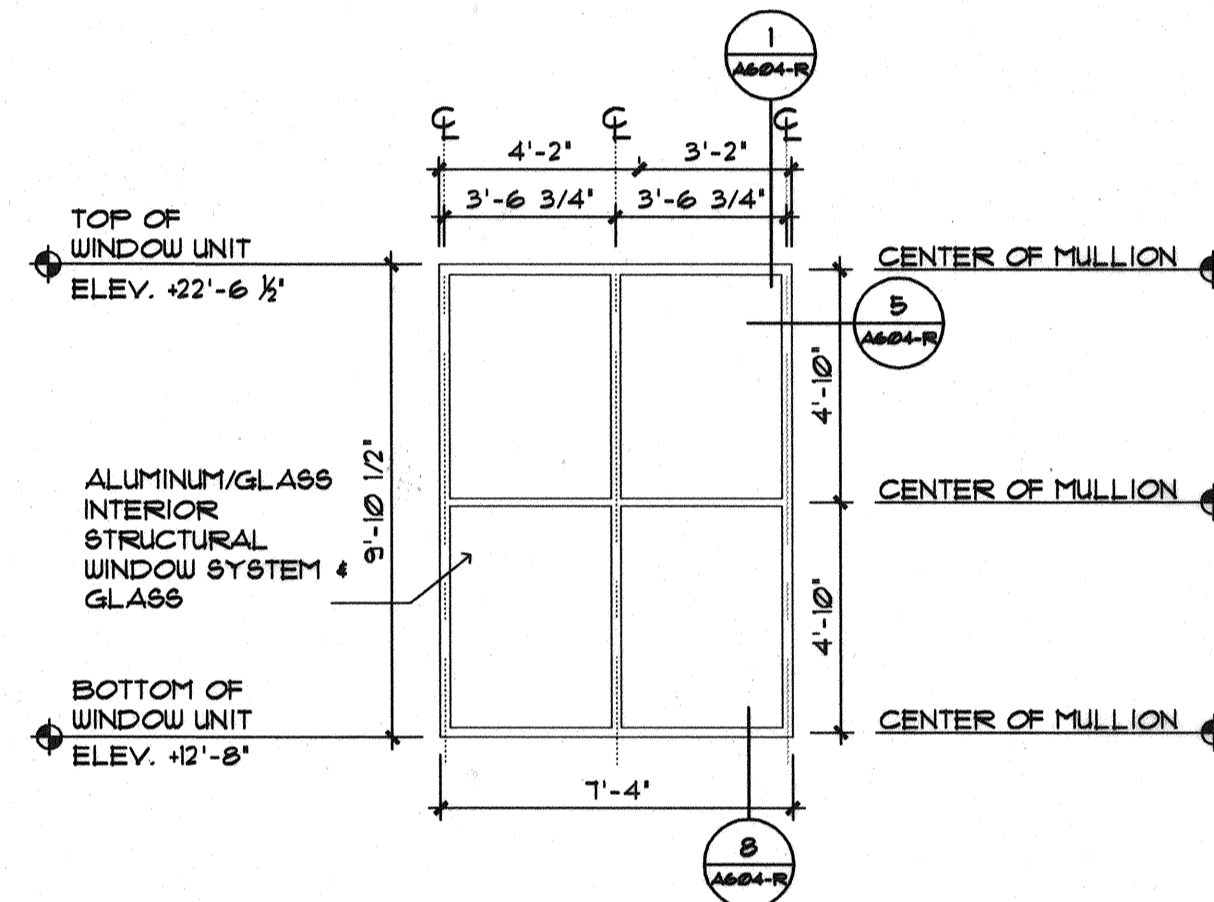
LOUVER UNIT TYPE "F"
SCALE: 1/4" = 1'-0"
TOTAL OF 2



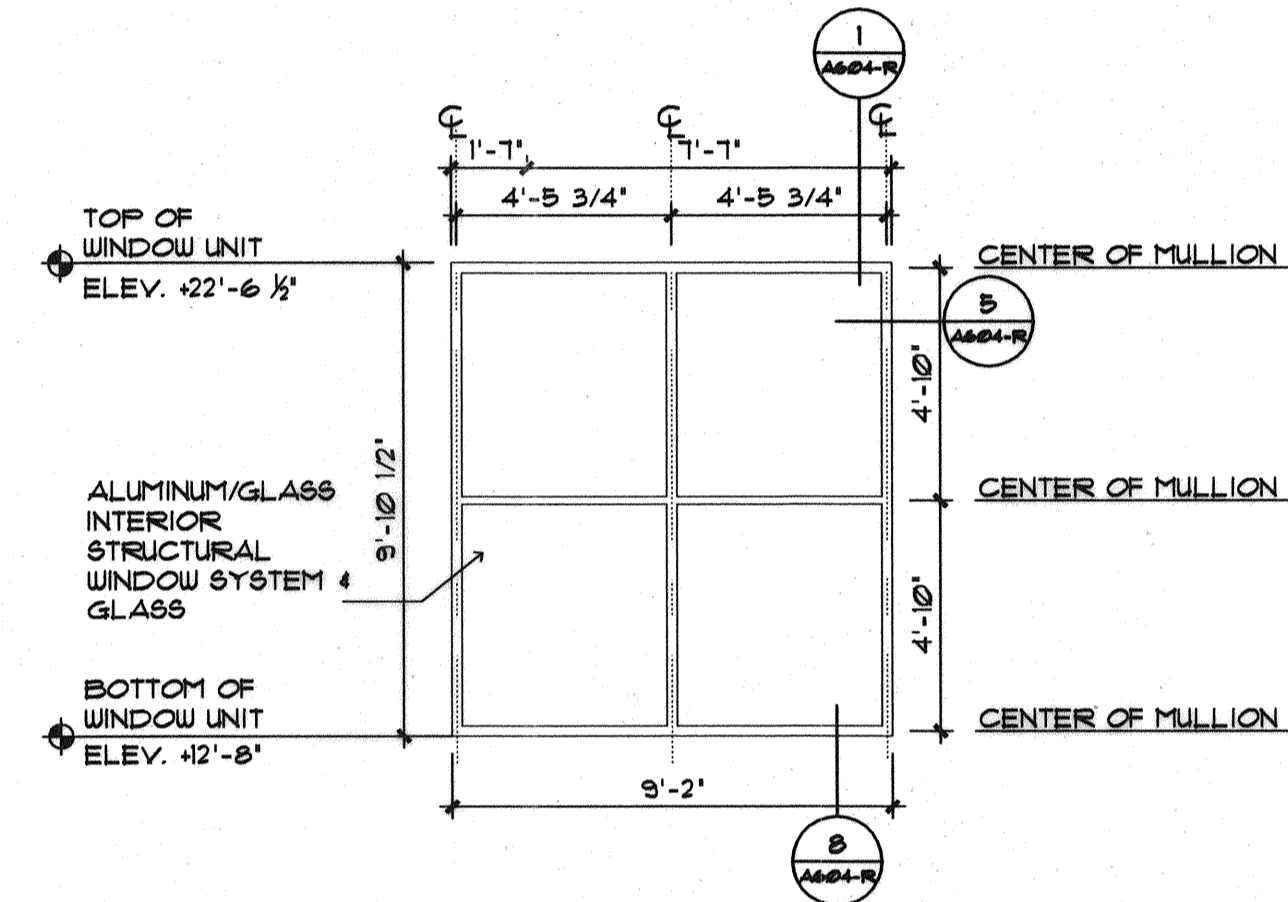
LOUVER UNIT TYPE "G"
SCALE: 1/4" = 1'-0"
TOTAL OF 1



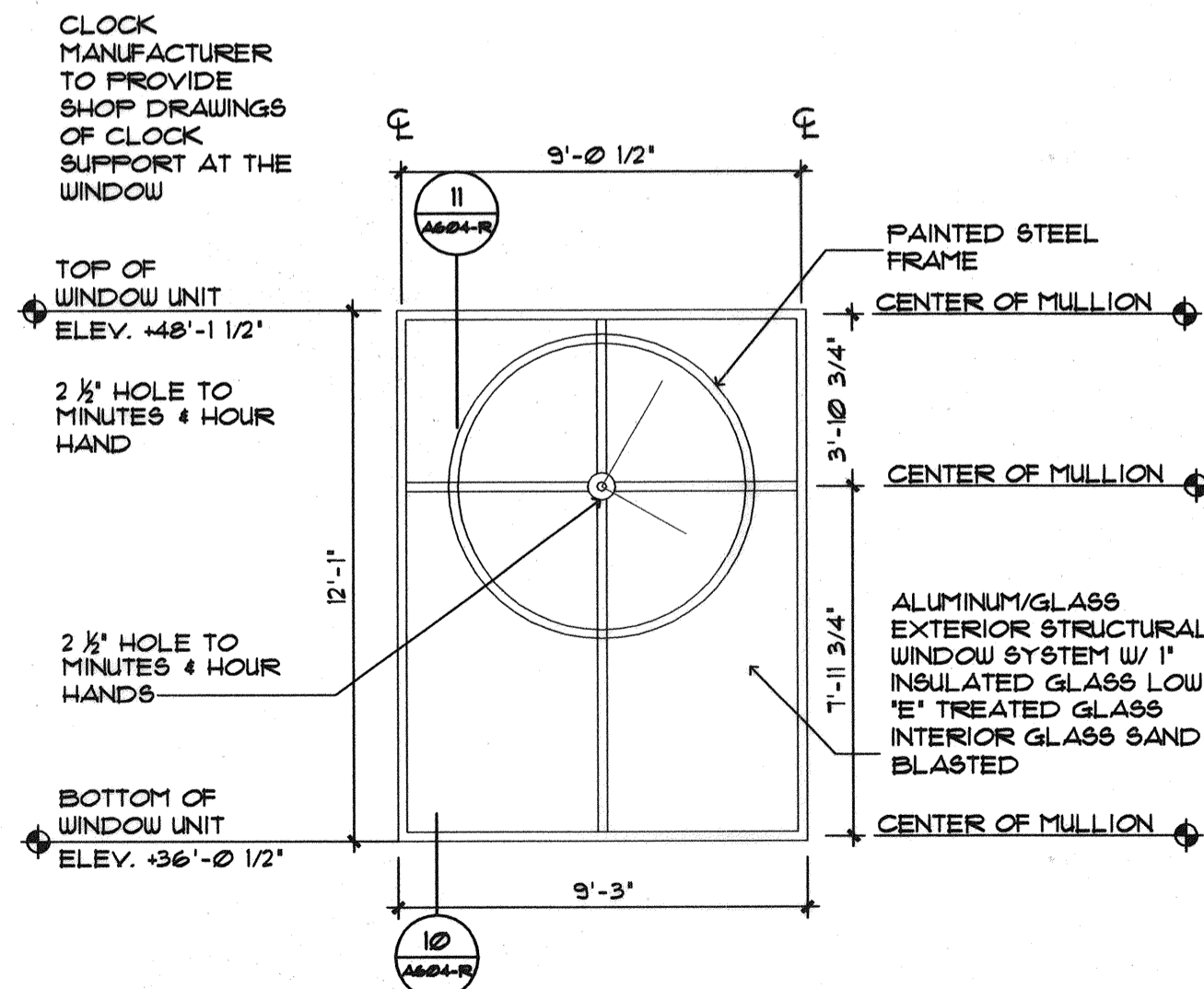
LOUVER UNIT TYPE "H"
SCALE: 1/4" = 1'-0"
TOTAL OF 1



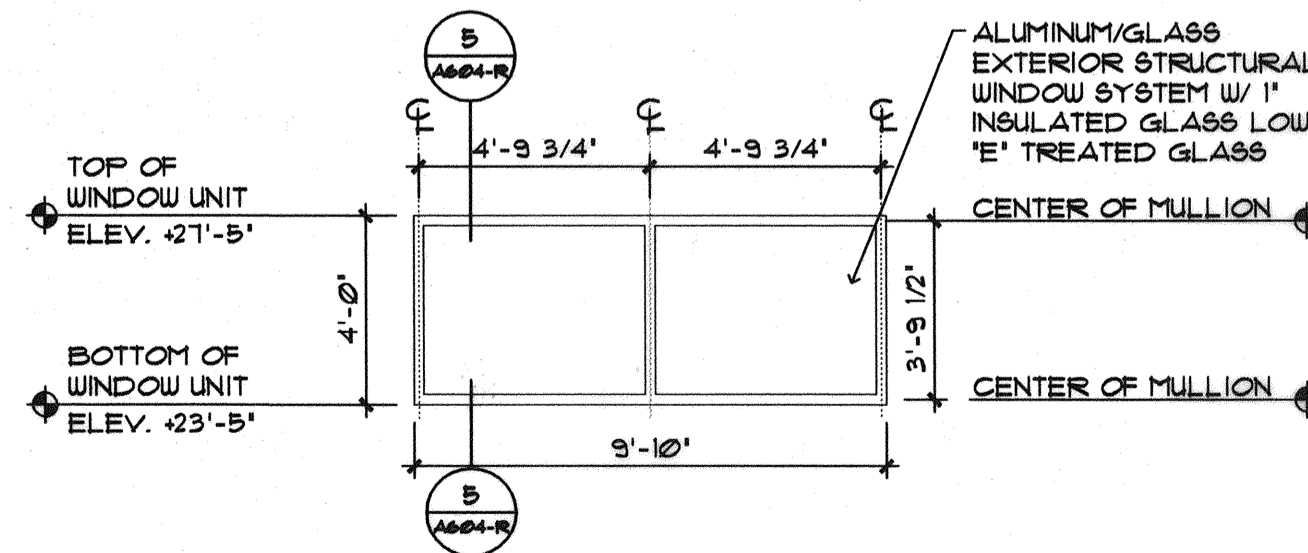
INTERIOR WINDOW UNIT TYPE "I"
SCALE: 1/4" = 1'-0"
TOTAL OF 1



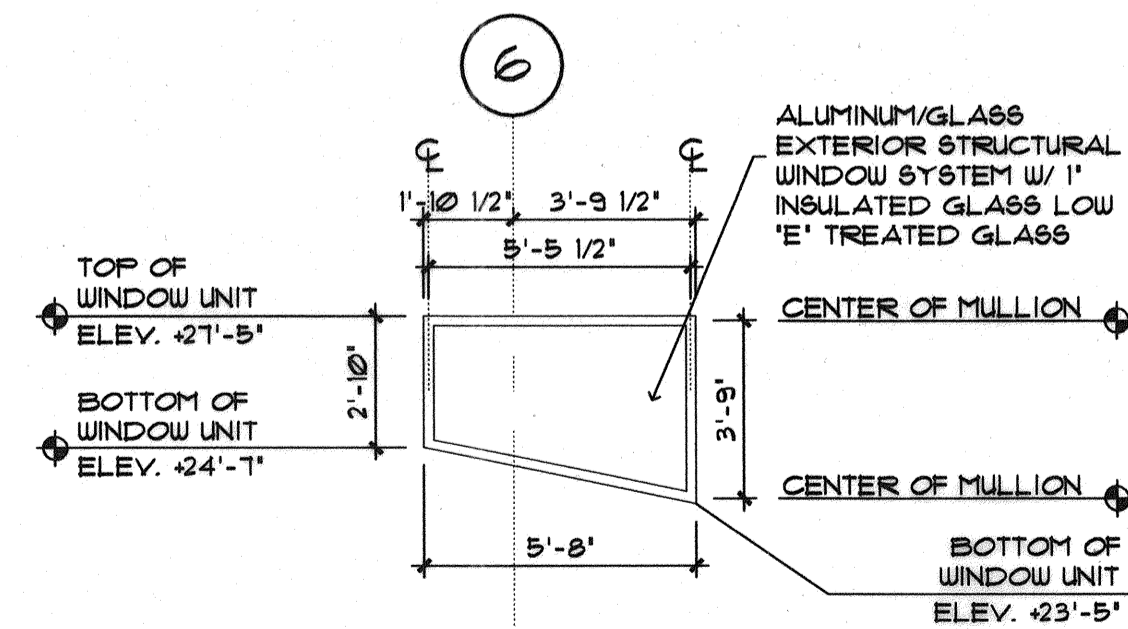
INTERIOR WINDOW UNIT TYPE "J"
SCALE: 1/4" = 1'-0"
TOTAL OF 1



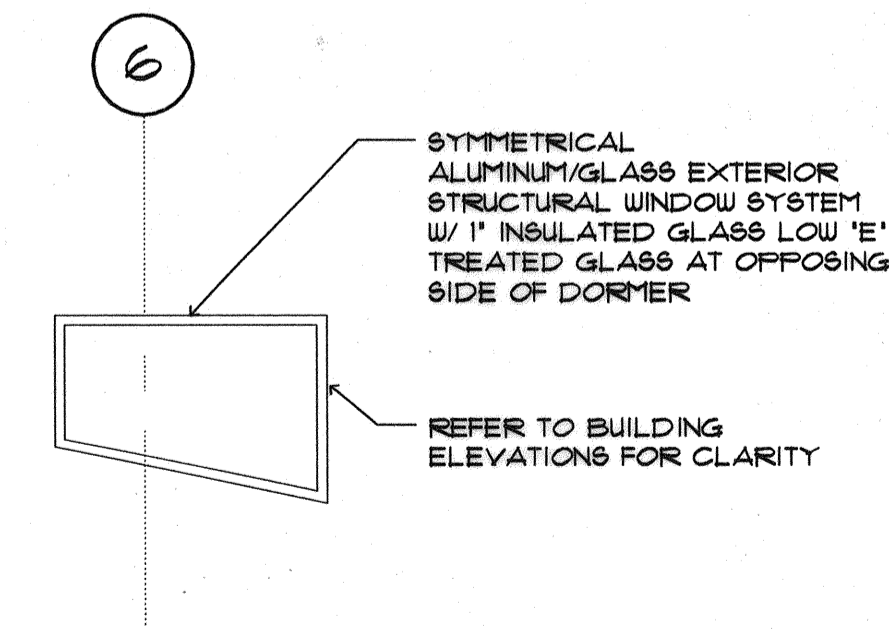
WINDOW UNIT TYPE "K"
SCALE: 1/4" = 1'-0"
TOTAL OF 4



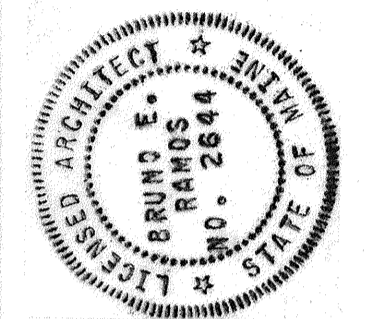
WINDOW UNIT TYPE "L"
SCALE: 1/4" = 1'-0"
TOTAL OF 3



WINDOW UNIT TYPE "M"
SCALE: 1/4" = 1'-0"
TOTAL OF 1



TOTAL OF 1



PROJ. MANAGER	PAUL POTTLE	DATE	
DESIGN-DETAILED		BY	
CHECKED-REVIEWED		SIGNATURE	
DESIGN-2-DETAILED		P. LICENCE NUMBER	ARC 2644
DESIGN-3-DETAILED		DATE	10/8/2004
REVISIONS 1			
REVISIONS 2			
REVISIONS 3			
REVISIONS 4			
FIELD CHANGES			

CITY OF PORTLAND
OCEAN GATEWAY PHASE 1
WINDOW SYSTEM ELEVATIONS