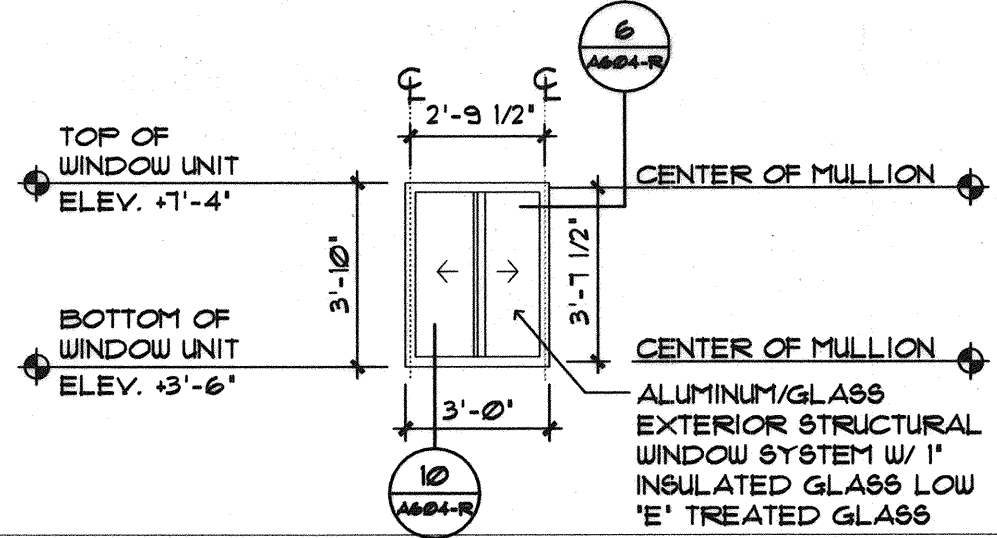
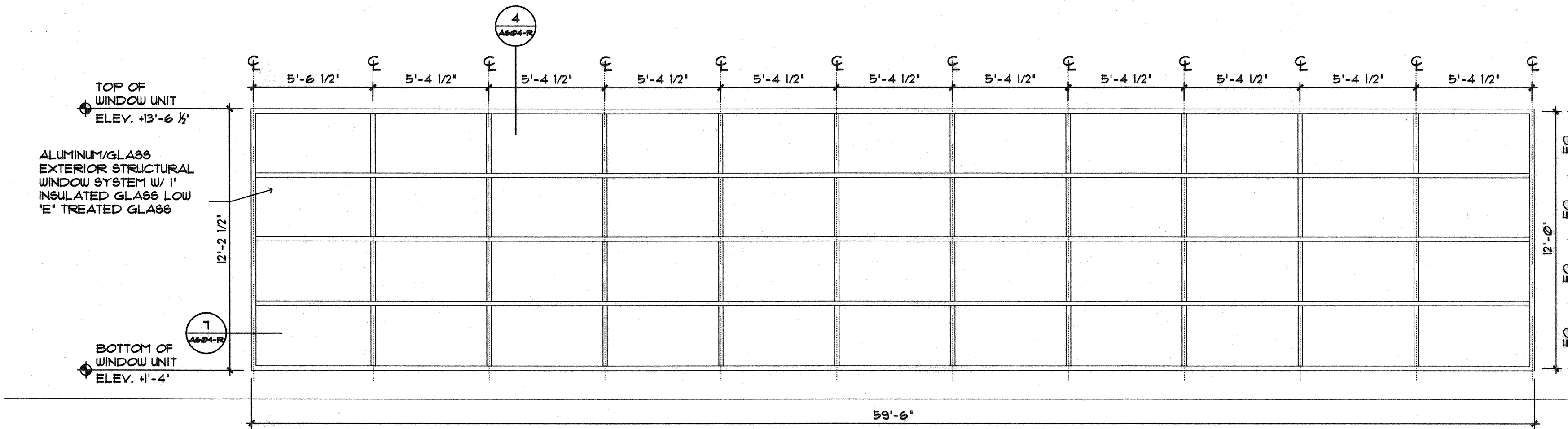


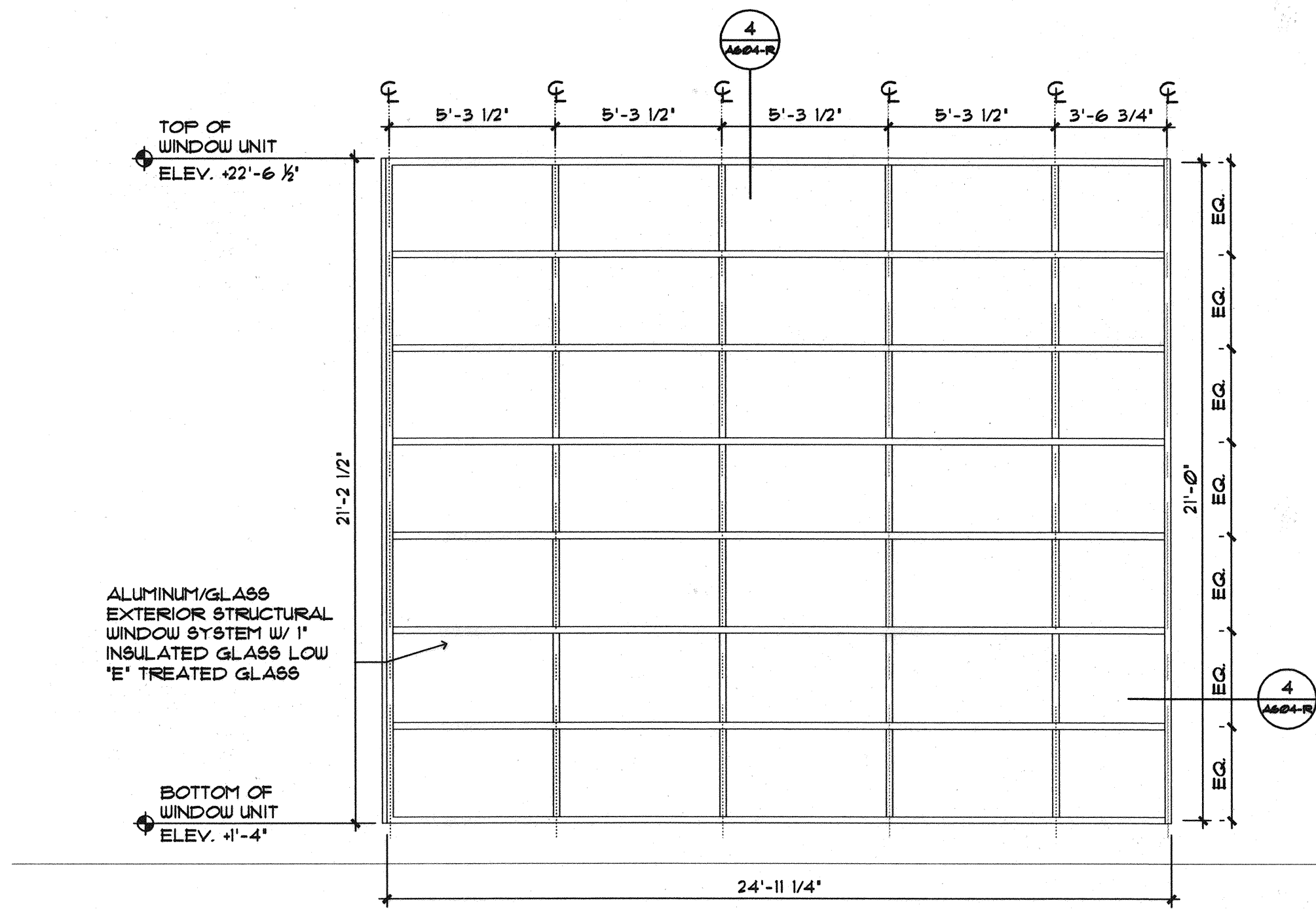
Filename: MServer1\projects\02-0818 Maine Int Ferry Terminal\PHASE 1\Architecture\FINAL CONSTRUCTION DOCUMENTS\RECEIVING STATION\20343802-R-A304.dwg, Oct 07, 2004 - 6:34pm



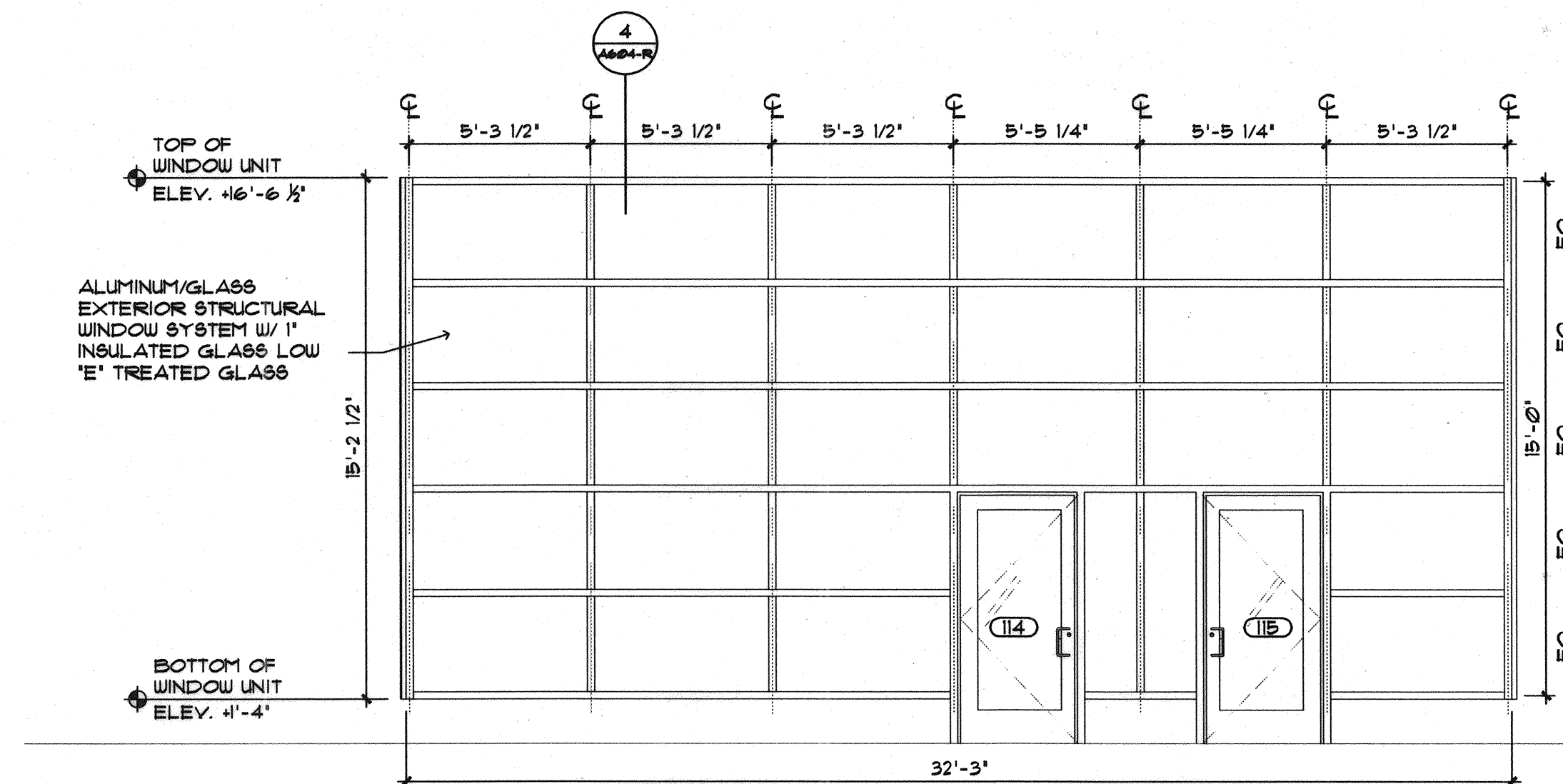
WINDOW UNIT TYPE "A"
SCALE: 1/4" = 1'-0" TOTAL OF 1



WINDOW SYSTEM ELEVATION "D"
SCALE: 1/4" = 1'-0" TOTAL OF 1



WINDOW SYSTEM ELEVATION "B"
SCALE: 1/4" = 1'-0" TOTAL OF 1

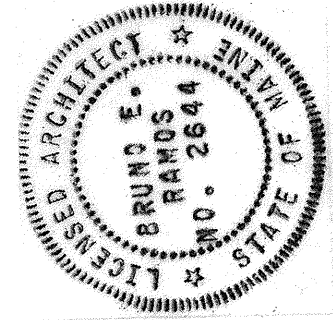


WINDOW SYSTEM ELEVATION "C"
SCALE: 1/4" = 1'-0" TOTAL OF 1



IN ASSOCIATION WITH:
CASPER CONSULTING ENGINEERS
PERATROVICH, NOTTINGHAM, & DRAGE
WINTON SCOTT ARCHITECTS
HALEY & ALDRICH

STATE OF MAINE
DEPARTMENT OF TRANSPORTATION
PROJECT NUMBER 009215.00



SIGNATURE
P. LICENCE NUMBER
ARC 2644
DATE
10/8/2004

PROJ. MANAGER	PAUL POTTLE	BY	DATE
DESIGN-DETAILED			
CHECKED-REVIEWED			
DESIGN-DETAILED2			
DESIGN-DETAILED3			
REVISIONS 1			
REVISIONS 2			
REVISIONS 3			
REVISIONS 4			
FIELD CHANGES			

CITY OF PORTLAND
OCEAN GATEWAY PHASE 1

WINDOW SYSTEM ELEVATIONS

A304-R