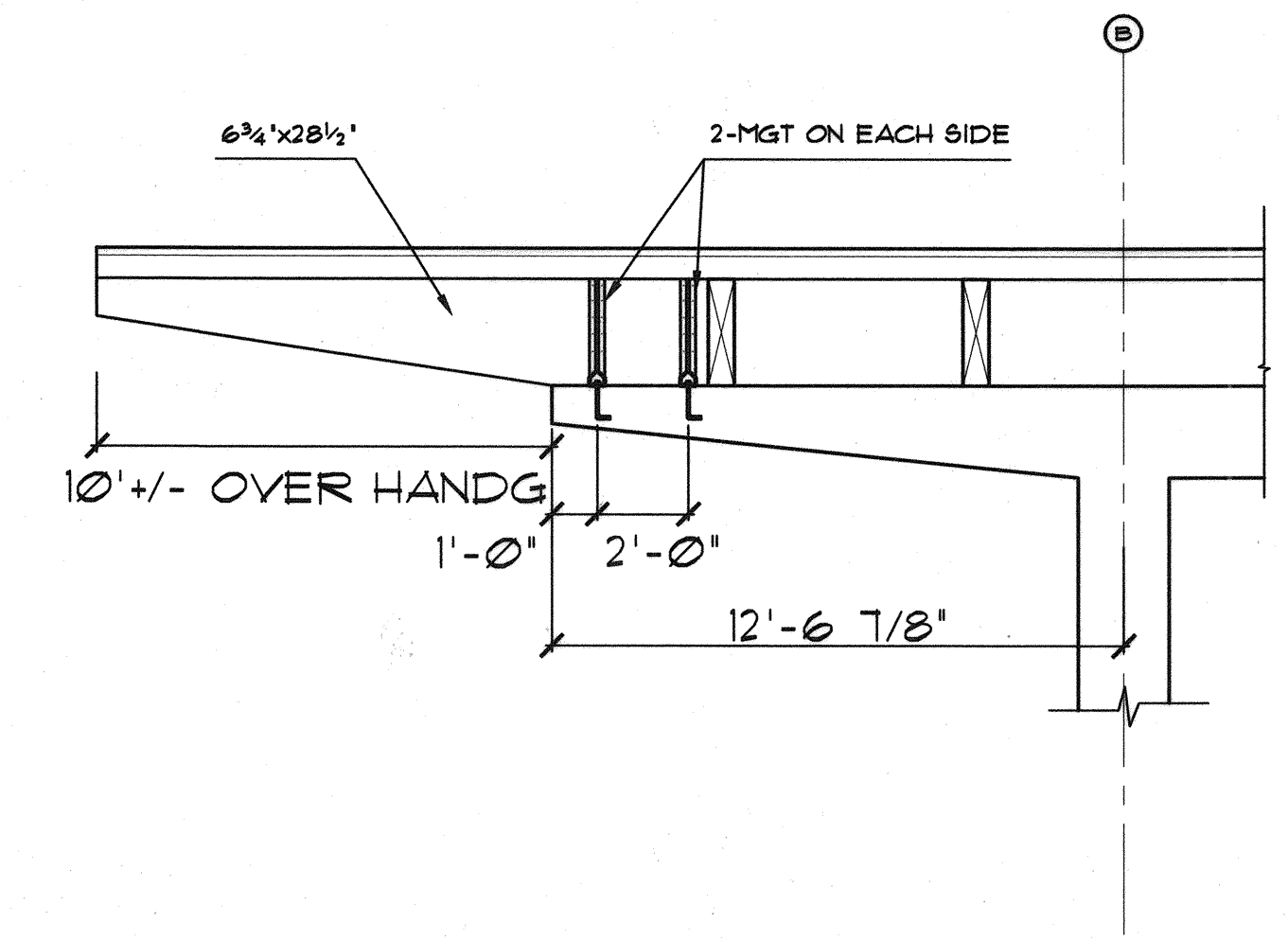
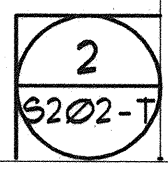
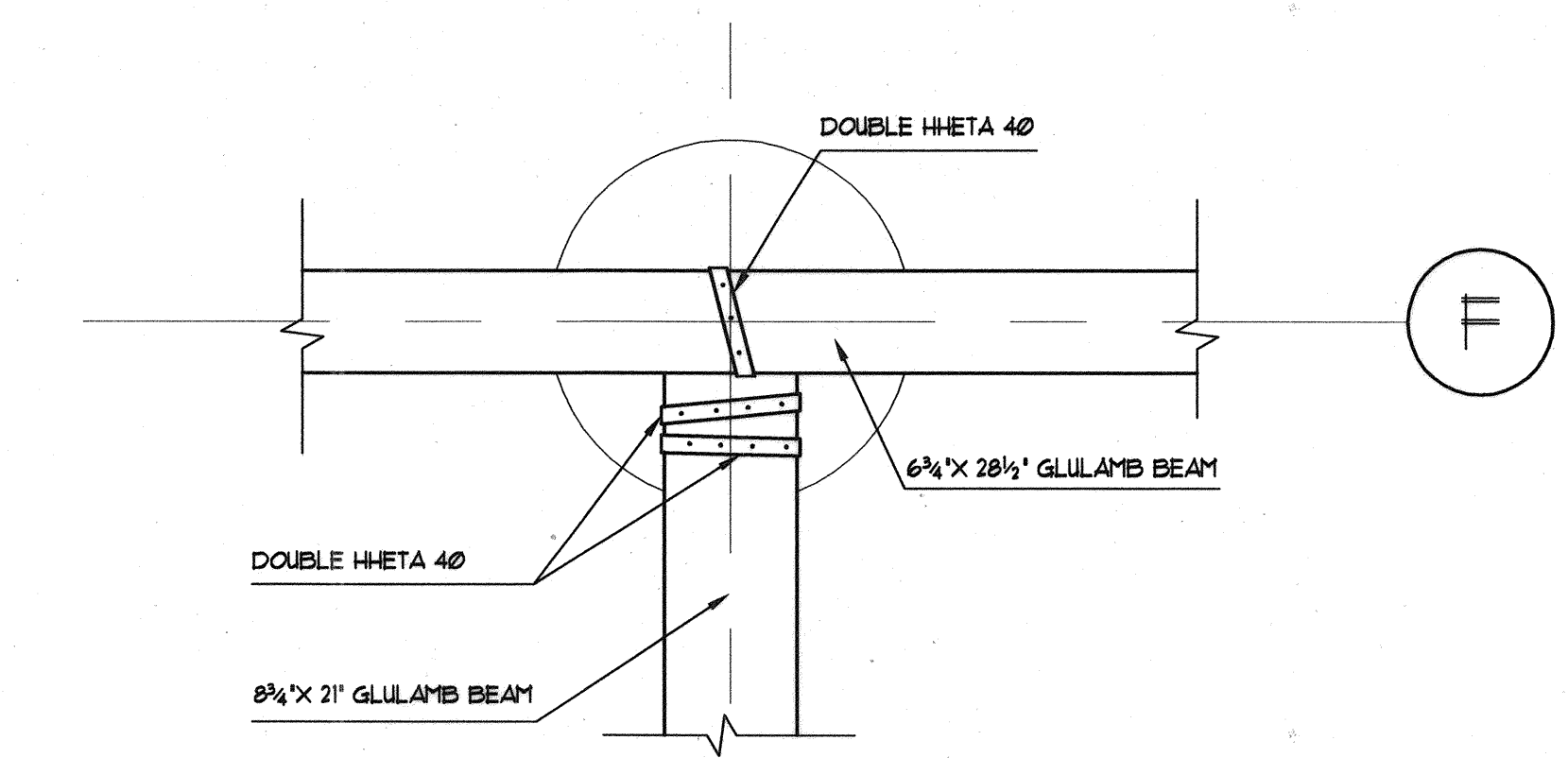
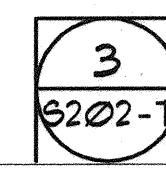


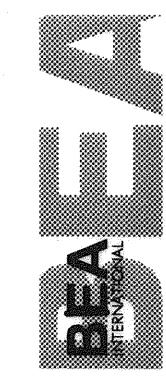
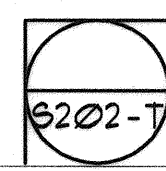
**SECTION 2**  
SCALE: 1/4" = 1'-0"



**SECTION 3**  
SCALE: 1/4" = 1'-0"

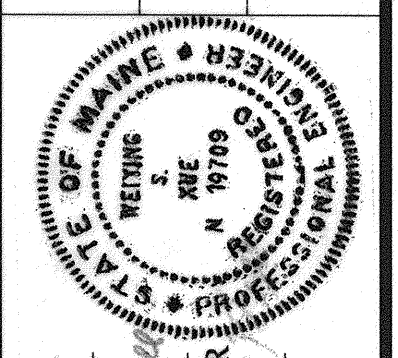


**DETAIL**  
SCALE: 1" = 1'-0"



IN ASSOCIATION WITH:  
GORRILL-PALMER CONSULTING ENGINEERS  
FERATOVICH, NOTTINGHAM, & DRAGE  
WINTON SCOTT ARCHITECTS  
HALEY & ALDRICH

STATE OF MAINE  
DEPARTMENT OF TRANSPORTATION  
PROJECT NUMBER 009215.00  
PIN  
009215.00



SIGNATURE: *Paul Pottle*  
P. LICENCE NUMBER: 10709  
DATE: 10/18/2004

PROJ. MANAGER	PAUL POTTLE	BY	DATE
DESIGN-DETAILED			
CHECKED-REVIEWED			
DESIGN-DETAILED2			
DESIGN-DETAILED3			
REVISIONS 1			
REVISIONS 2			
REVISIONS 3			
REVISIONS 4			
FIELD CHANGES			

CITY OF PORTLAND  
OCEAN GATEWAY PHASE 1  
TERMINAL BUILDING  
GENERAL SECTIONS

S202-T