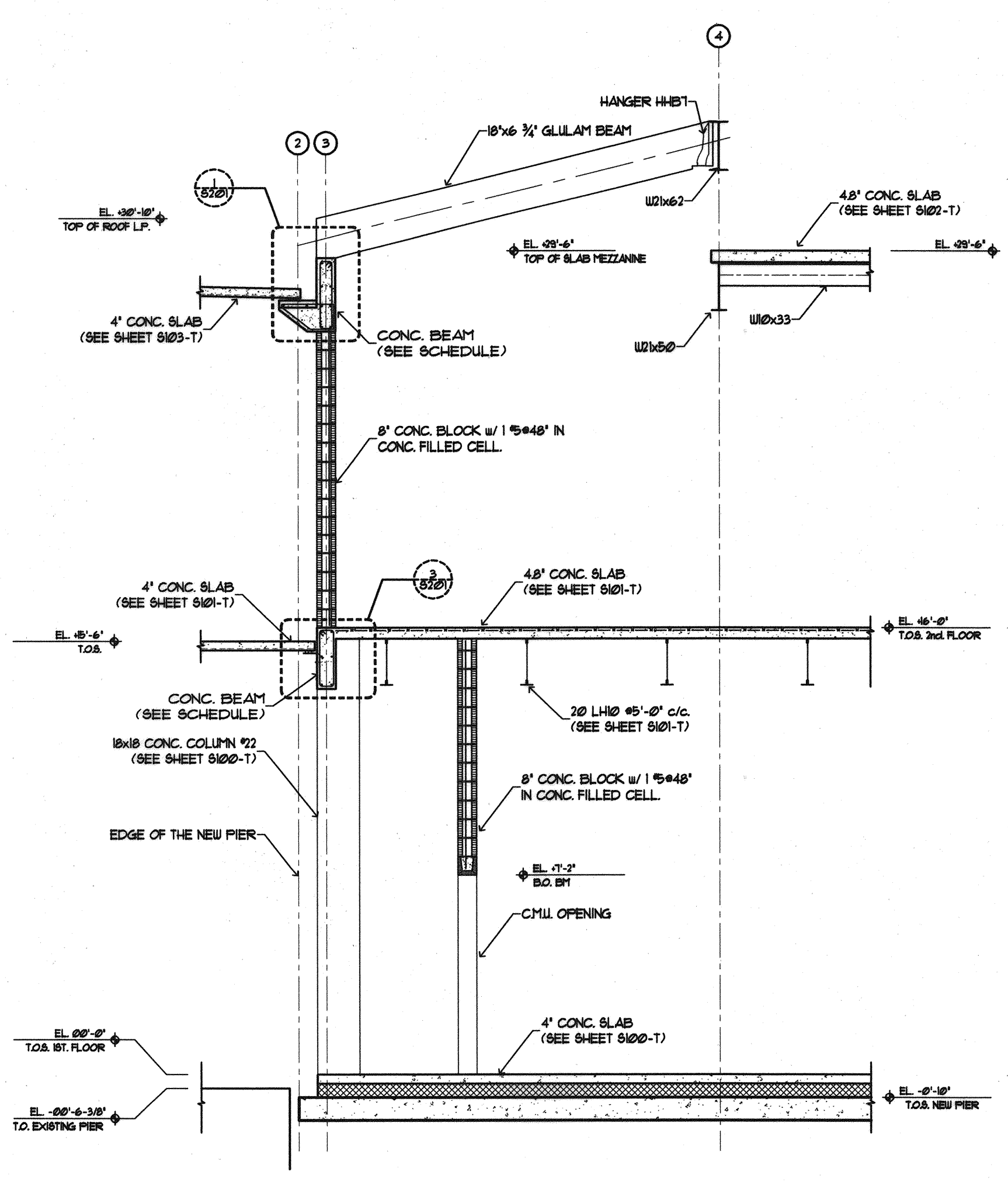
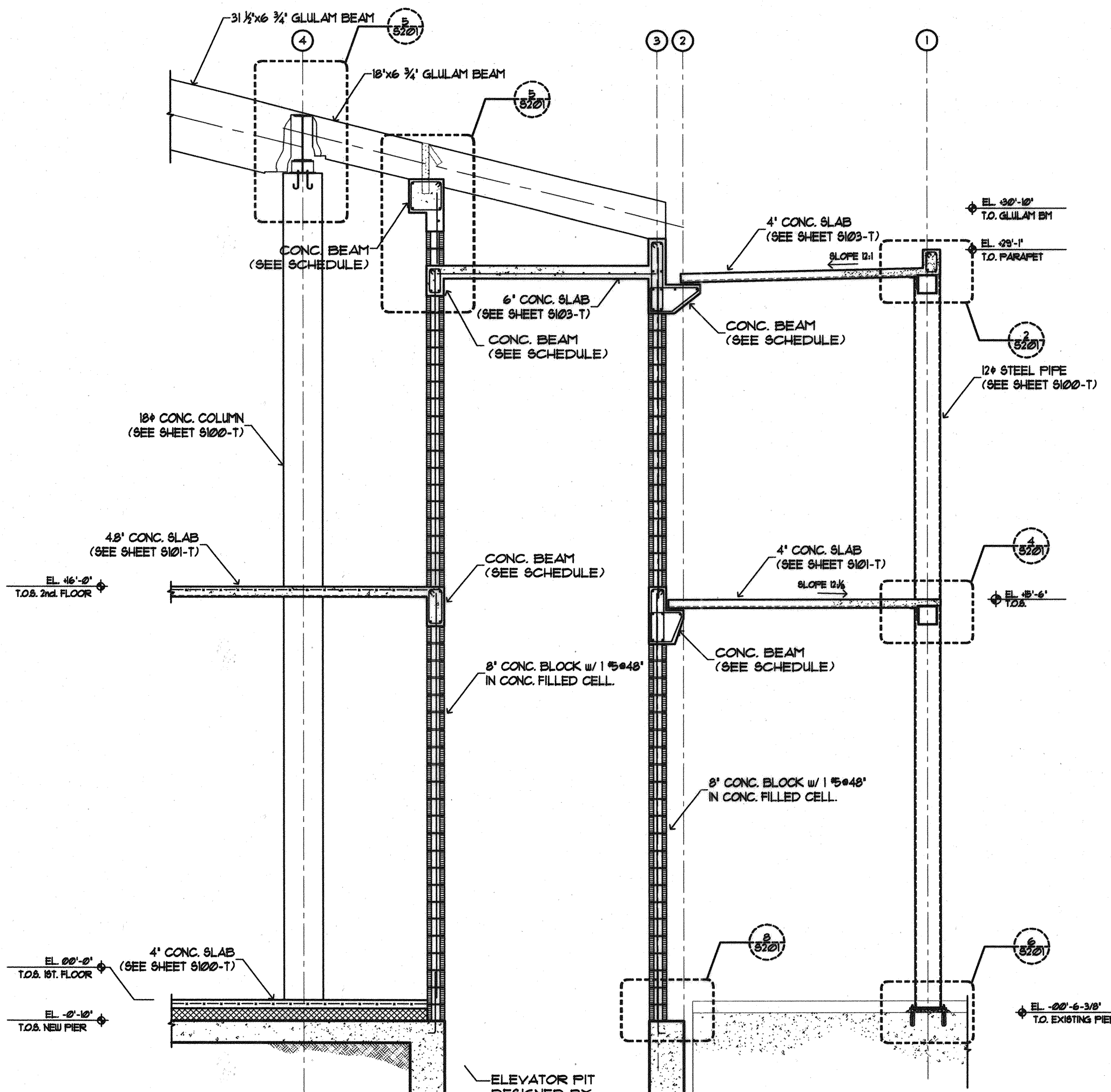


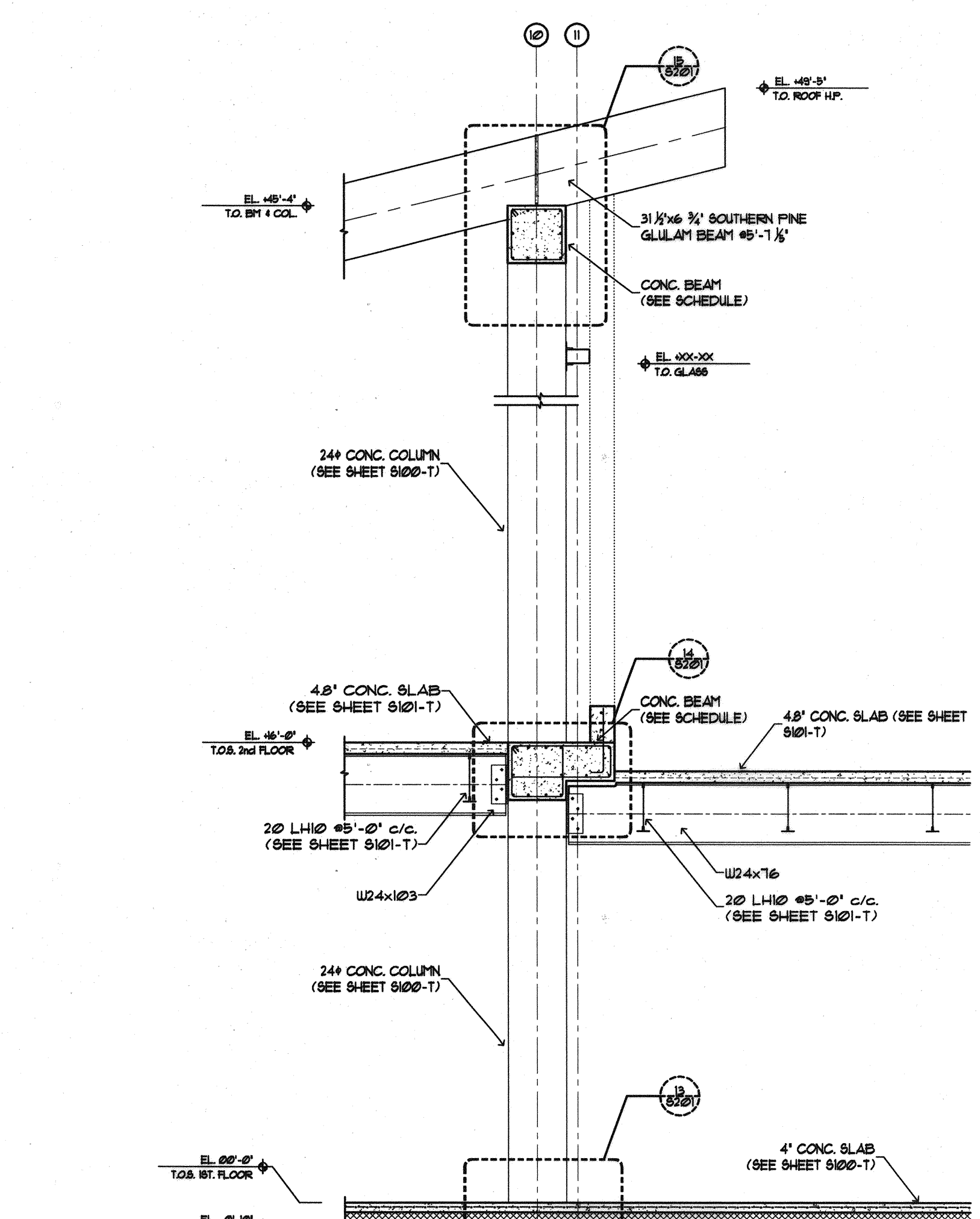
Filename: P:\02-0818 Maine Int Ferry Terminal\PHASE 1\Architecture\FINAL CONSTRUCTION DOCUMENTS\TERMINAL BUILDING\20343802-S200_Sections.dwg, Oct 08, 2004 - 3:54pm



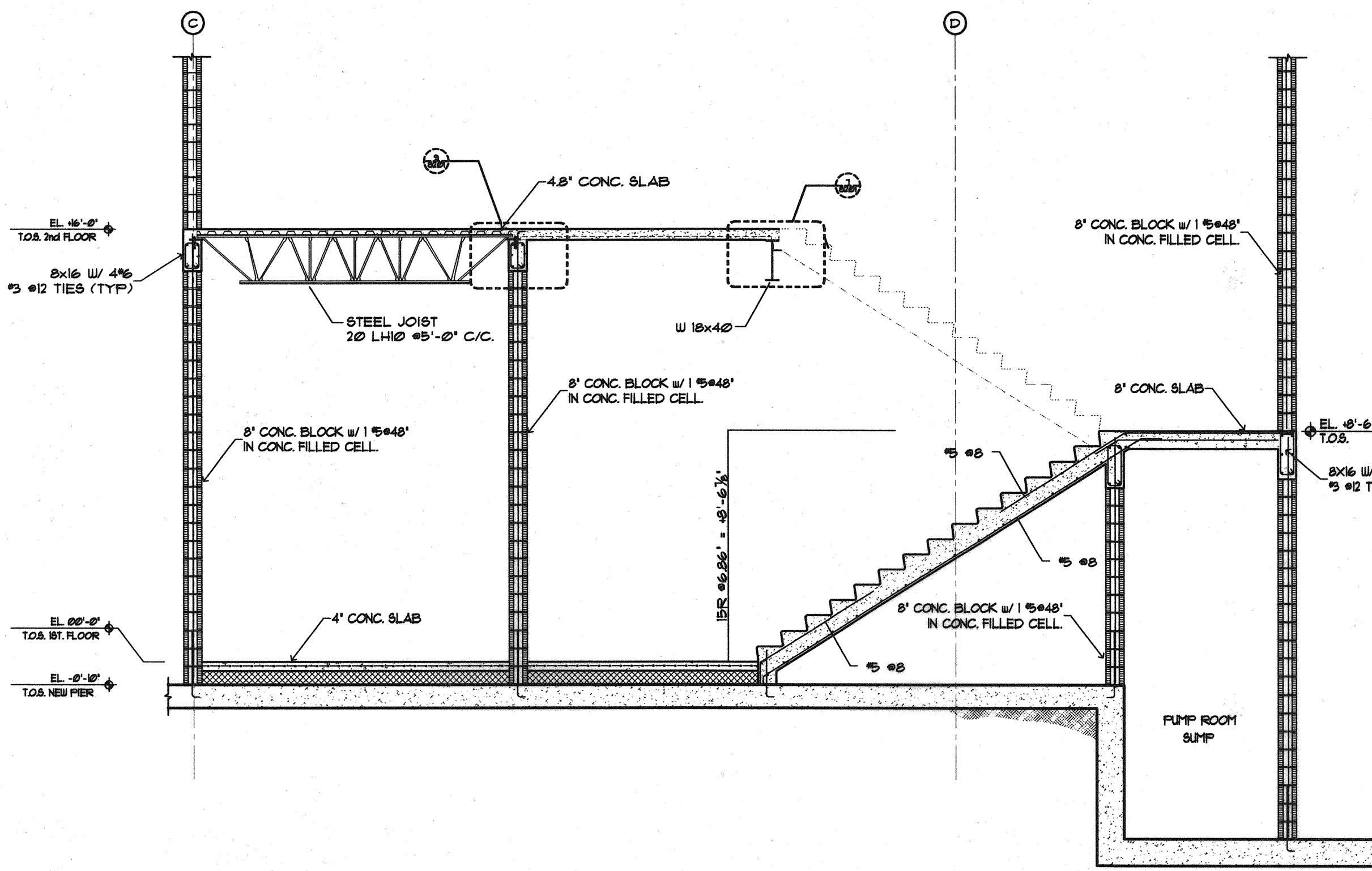
SECTION A
SCALE: 1/4" = 1'-0"



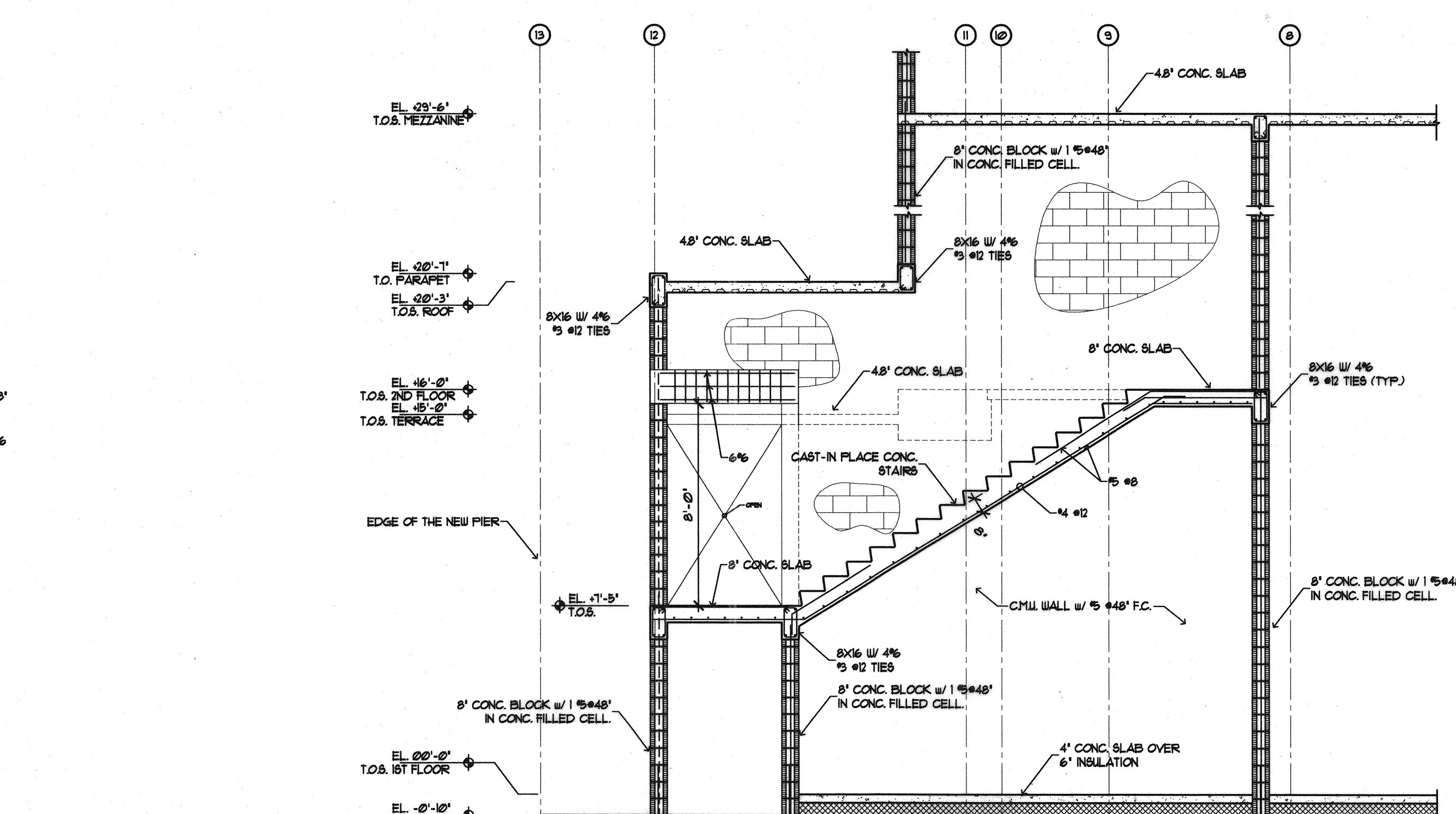
SECTION B
SCALE: 1/4" = 1'-0"



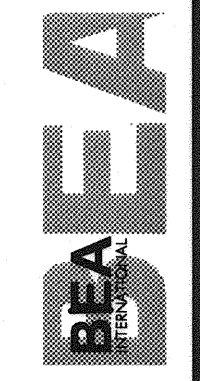
SECTION D
SCALE: 1/4" = 1'-0"



SECTION C
SCALE: 1/4" = 1'-0"

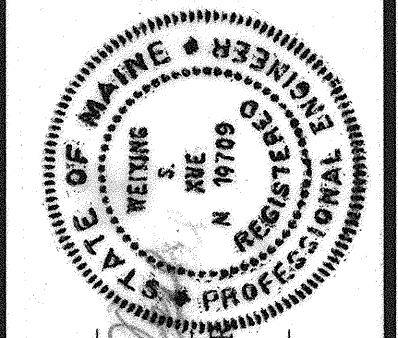


SECTION E
SCALE: 1/4" = 1'-0"



IN ASSOCIATION WITH:
CORRILL-PALMER CONSULTING ENGINEERS
PERATROVICH, NOTTINGHAM & DRAGE
WINTON SCOTT ARCHITECTS
HALEY & ALDRICH

STATE OF MAINE
DEPARTMENT OF TRANSPORTATION
PROJECT NUMBER 009215.00
PIN
009215.00



SIGNATURE: [Signature]
P. LICENCE NUMBER: PE 10709
DATE: 10/8/2004

PROJ. MANAGER	PAUL POTTE	DATE
DESIGN-DETAILED		
CHECKED-REVIEWED		
DESIGN-DETAILED		
DESIGN-DETAILED		
REVISIONS 1		
REVISIONS 2		
REVISIONS 3		
REVISIONS 4		
FIELD CHANGES		

CITY OF PORTLAND
OCEAN GATEWAY PHASE 1
TERMINAL BUILDING
GENERAL SECTIONS

S200-T