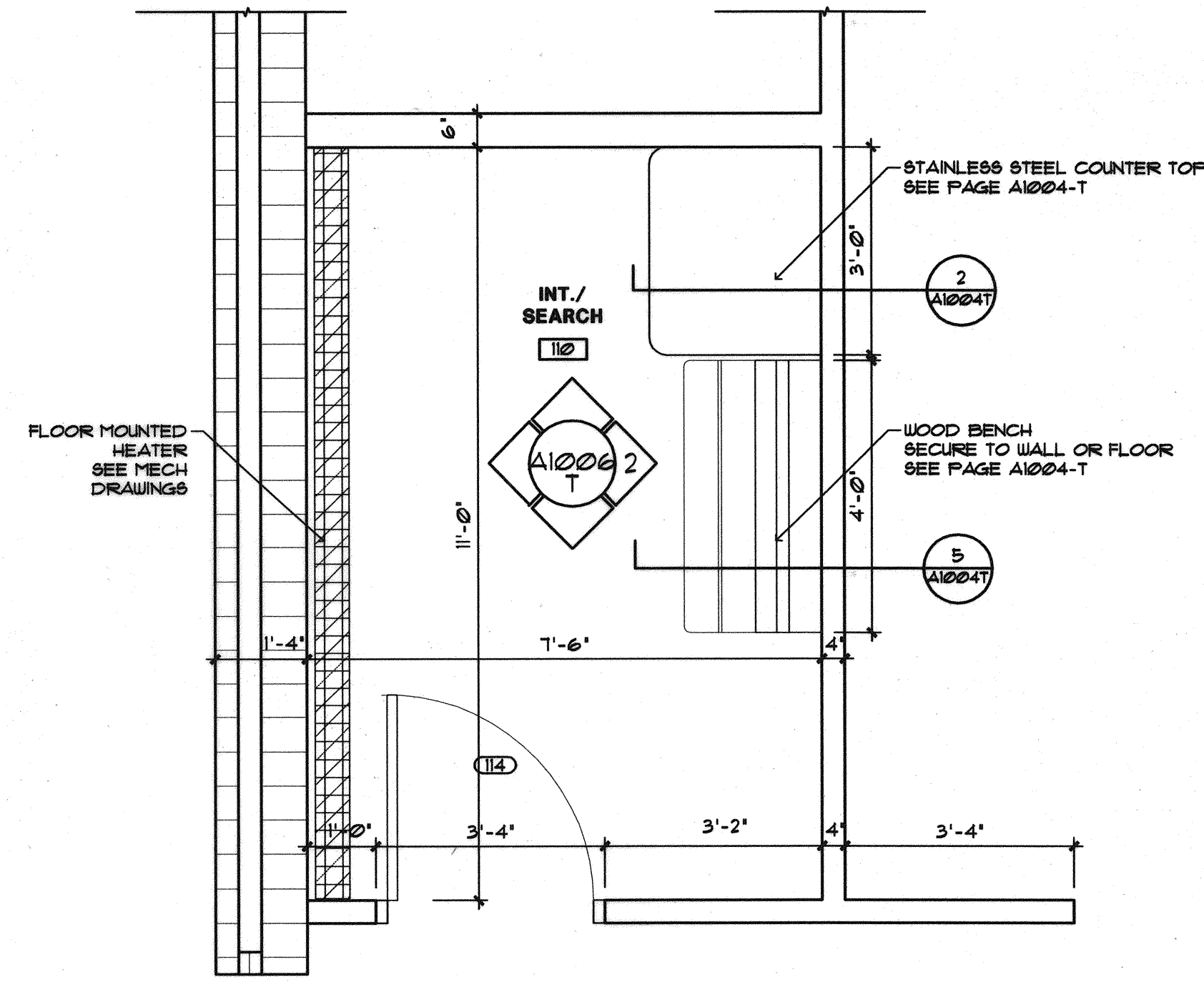


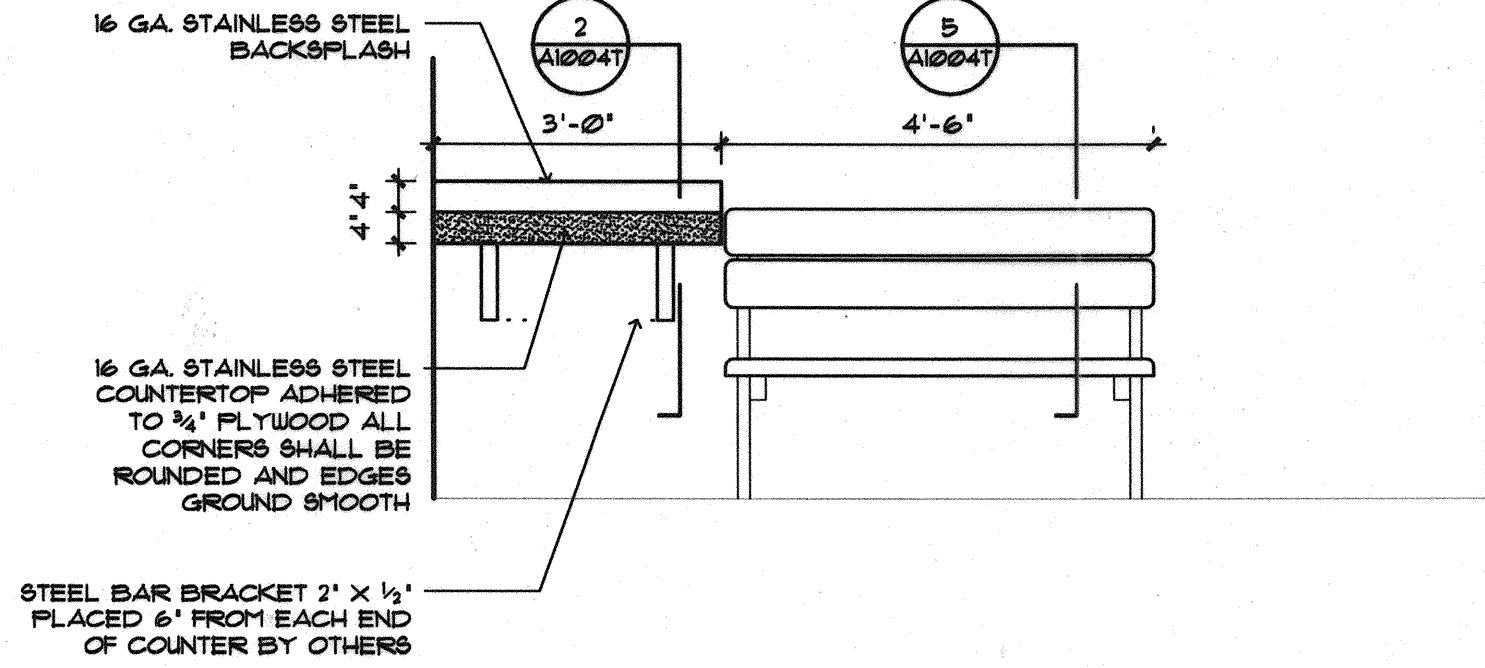
Filename: \\Server1\projects\02-0818 Maine Int Ferry Terminal\PHASE 1\Architecture\FINAL CONSTRUCTION DOCUMENTS\TERMINAL BUILDING\10343802-T-A1006.dwg, Oct 07, 2004 - 6:22pm



SEARCH ROOM PLAN

SCALE: 1/2" = 1'-0"

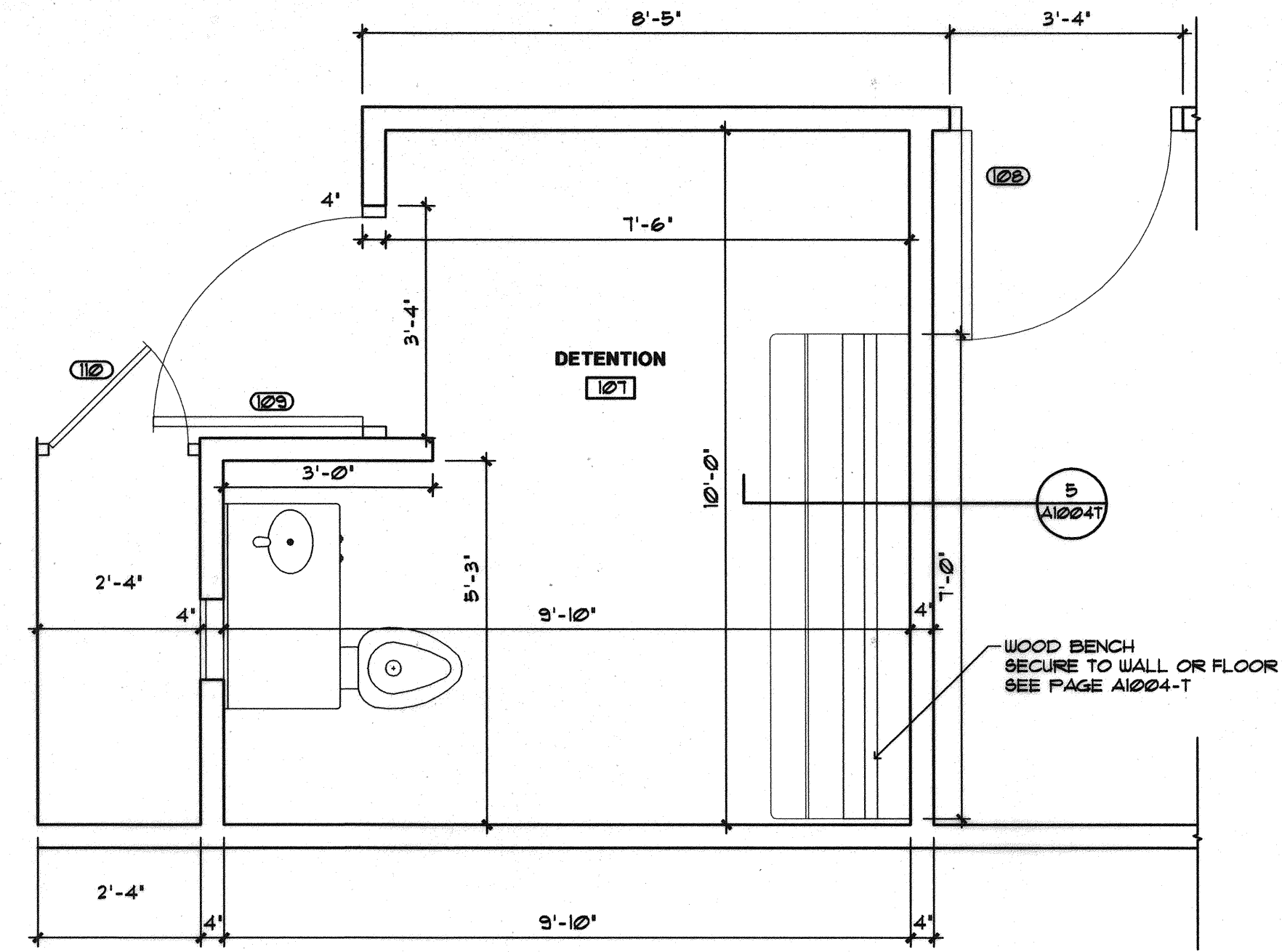
1
A1006T



SEARCH ROOM ELEVATION

SCALE: 1/2" = 1'-0"

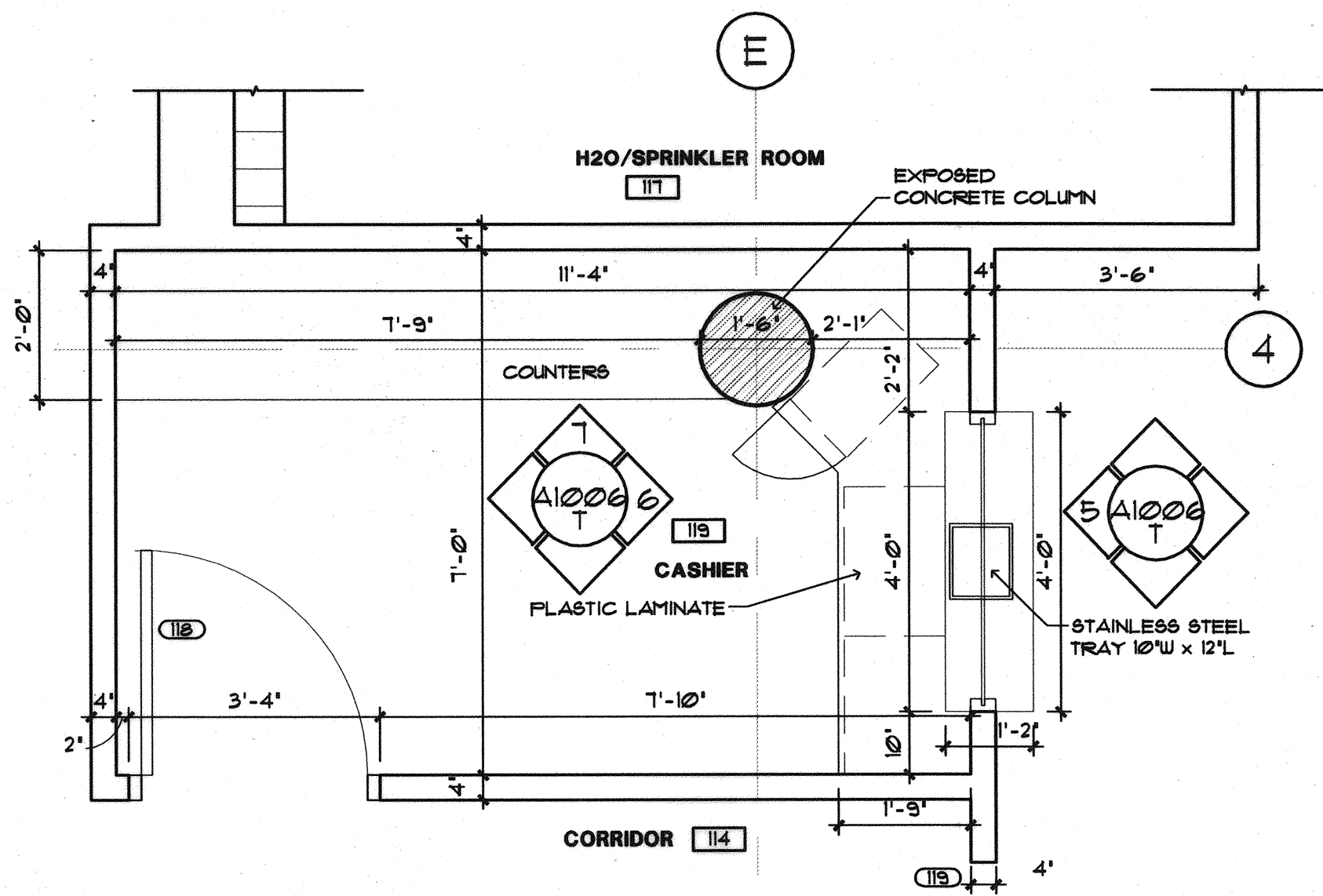
2
A1006T



DETENTION ROOM PLAN

SCALE: 1/2" = 1'-0"

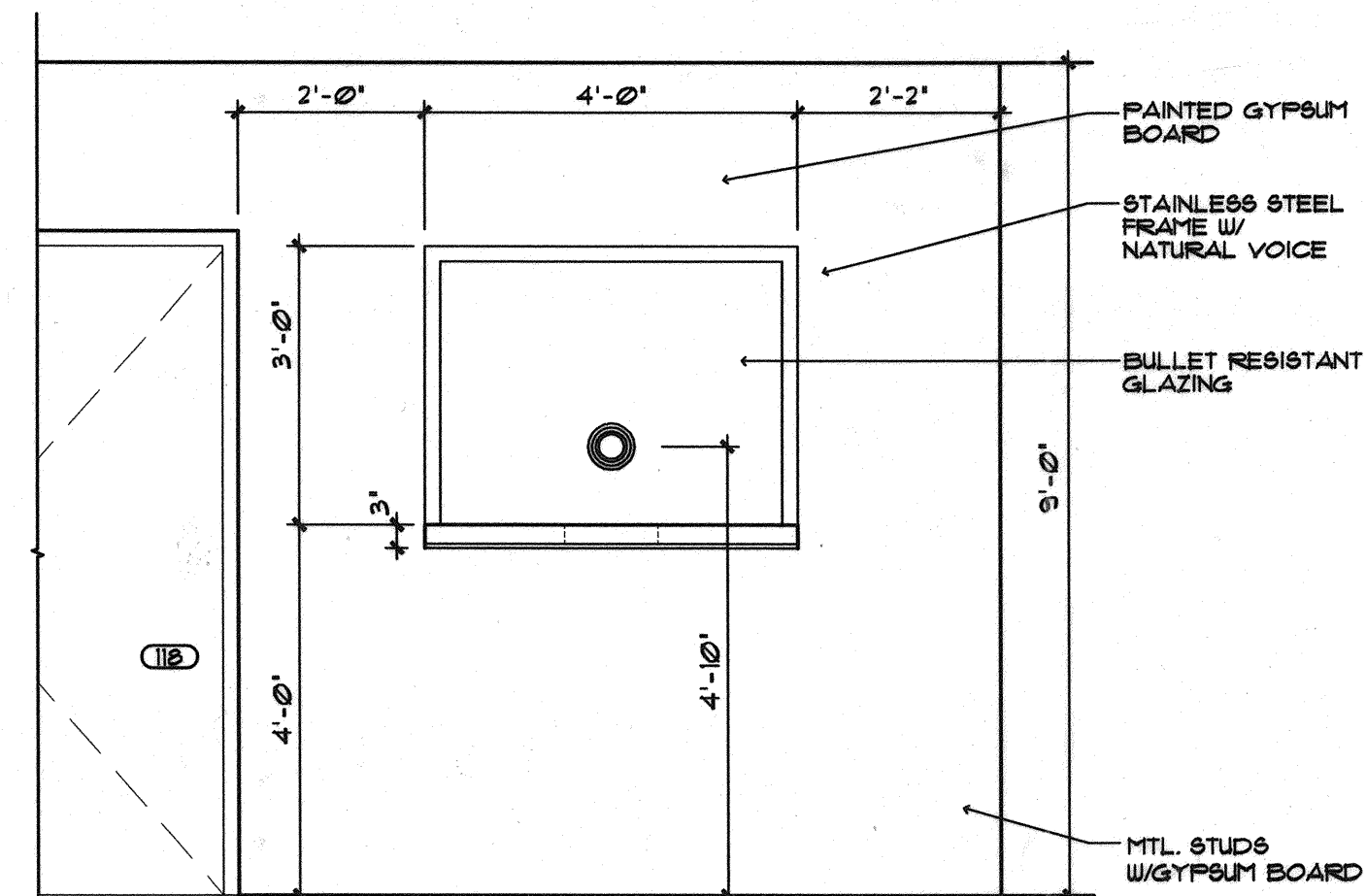
3
A1006T



CASHIER ROOM PLAN

SCALE: 1/2" = 1'-0"

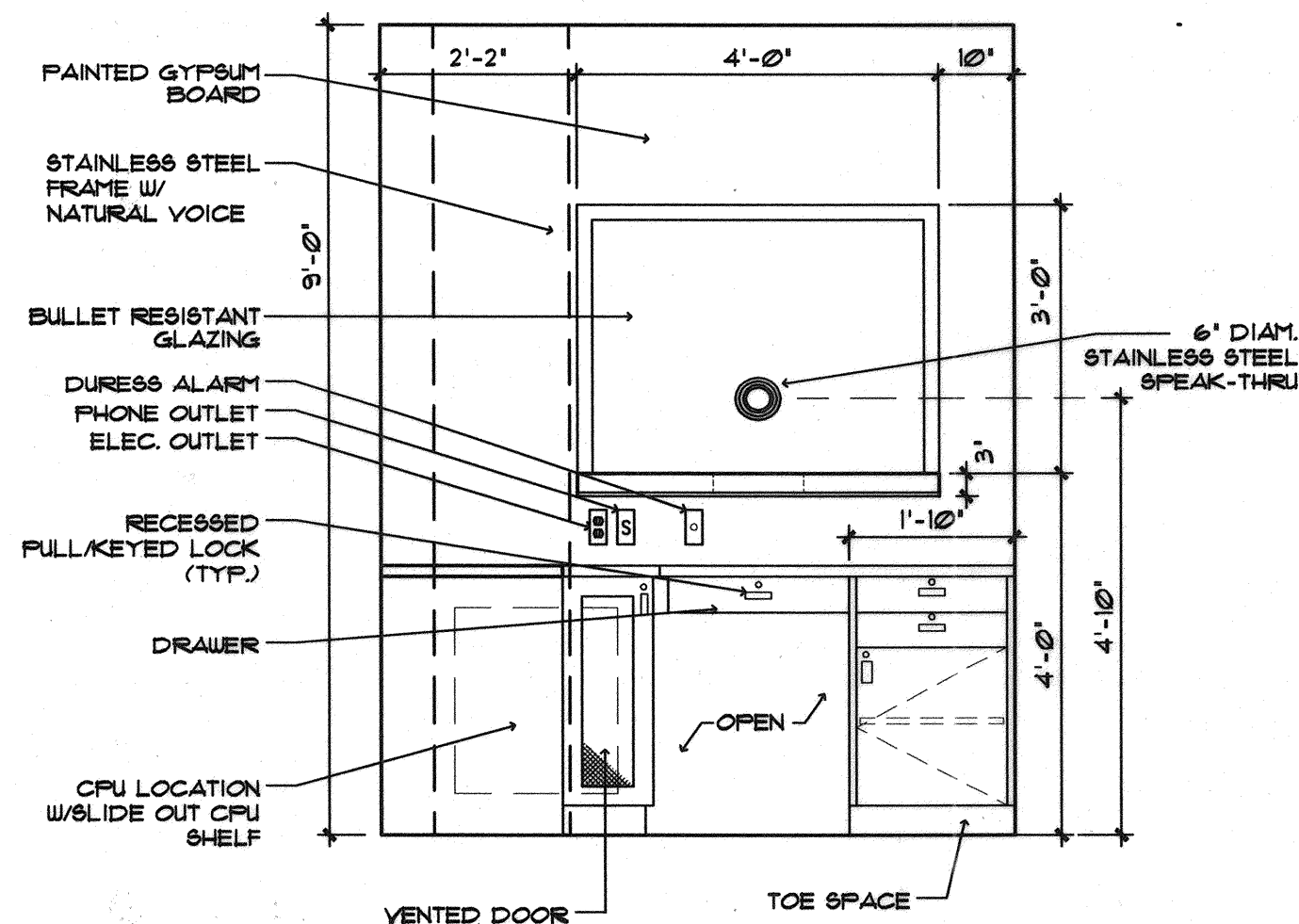
4
A1006T



CASHIER ROOM ELEVATION

SCALE: 1/2" = 1'-0"

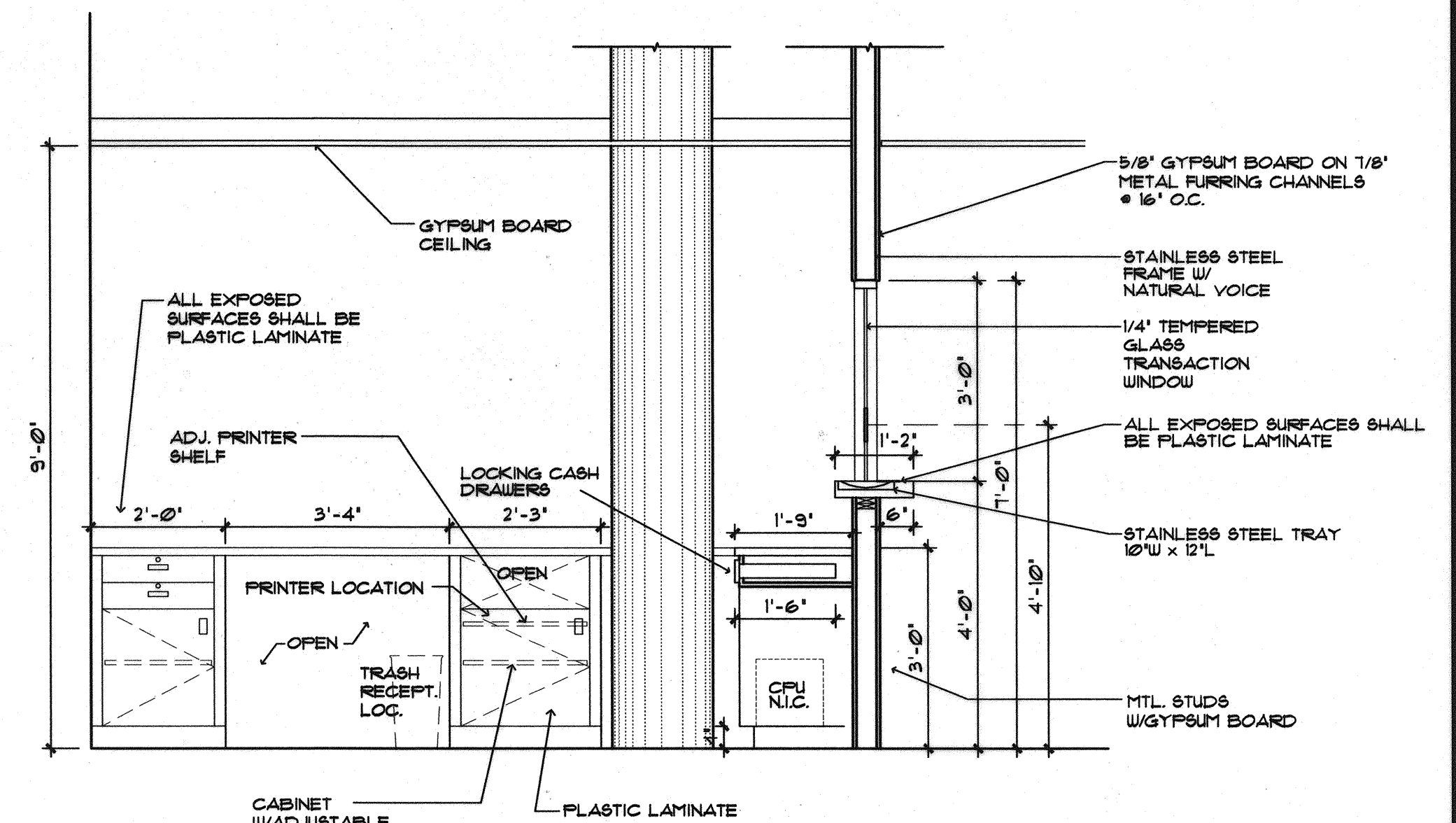
5
A1006T



CASHIER ROOM ELEVATION

SCALE: 1/2" = 1'-0"

6
A1006T

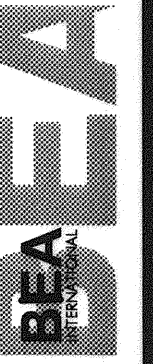


CASHIER ROOM ELEVATION

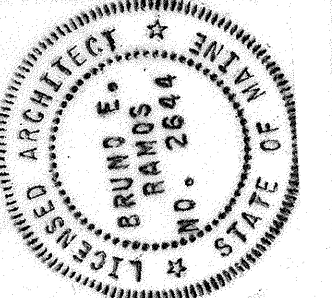
SCALE: 1/2" = 1'-0"

7
A1006T

IN ASSOCIATION WITH:
CORRILL-PALMER CONSULTING ENGINEERS
WINTON SCOTT ARCHITECTS
HALEY & ALDRICH



STATE OF MAINE
DEPARTMENT OF TRANSPORTATION
PROJECT NUMBER 009215.00



SIGNATURE
P. LICENCE NUMBER
ARC 2644
DATE
10/8/2004

| PROJ. MANAGER | PAUL POTTE |
|-------------------|------------|
| DESIGN-DETAILED | |
| CHECKED-REVIEWED | |
| DESIGN2-DETAILED2 | |
| DESIGN3-DETAILED3 | |
| REVISIONS 1 | |
| REVISIONS 2 | |
| REVISIONS 3 | |
| REVISIONS 4 | |
| FIELD CHANGES | |

CITY OF PORTLAND
OCEAN GATEWAY PHASE 1

A1006-T