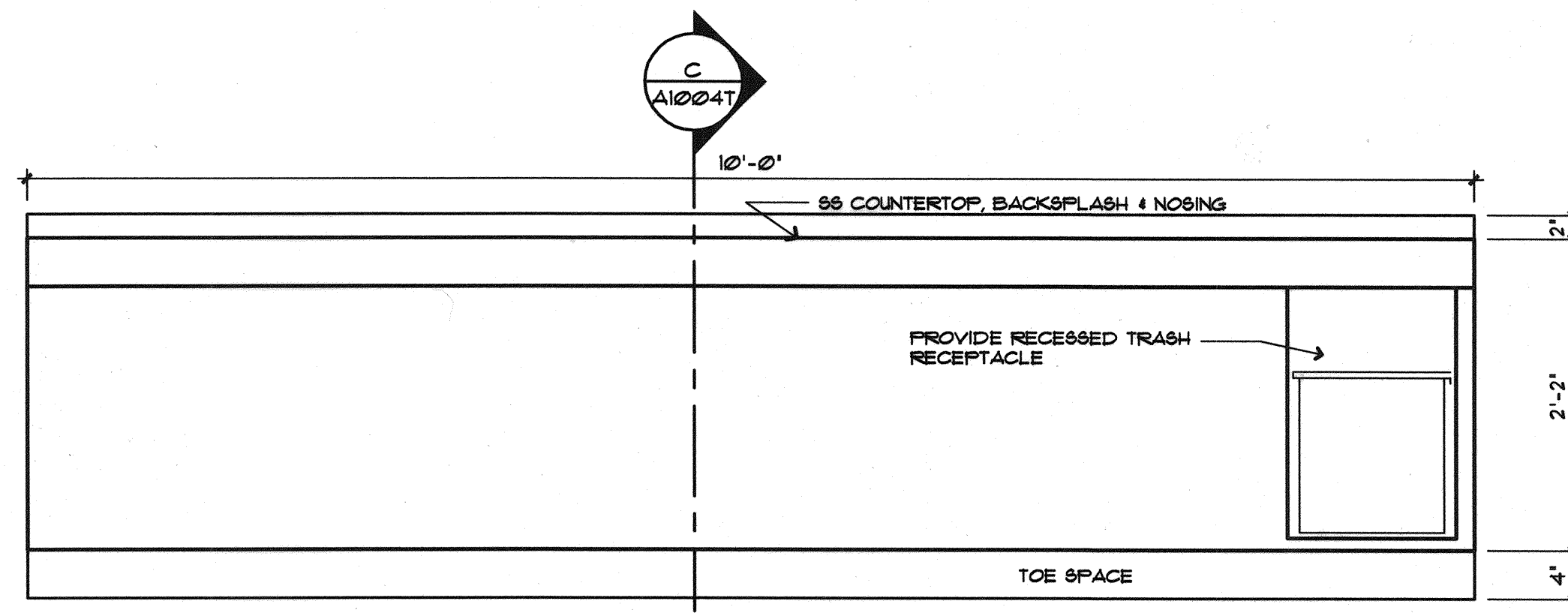


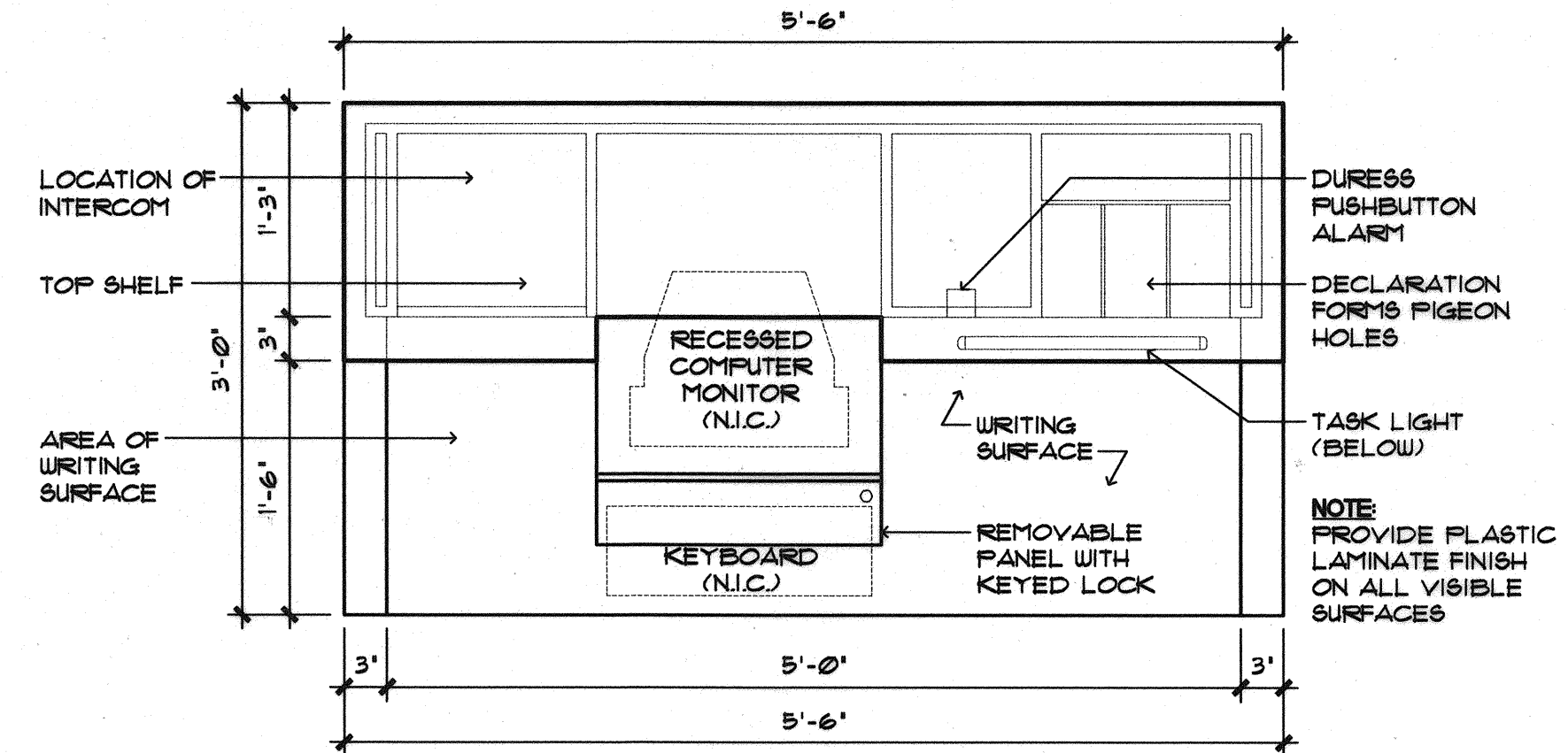
NOTE  
ALL CABINET DOORS &  
DRAWERS TO INCLUDE  
LOCKING HARDWARE



**EXAMINATION COUNTER ELEVATION**

SCALE: 1" = 1'-0"

1  
A1004T



**WORKSTATION PLAN**

SCALE: 1" = 1'-0"

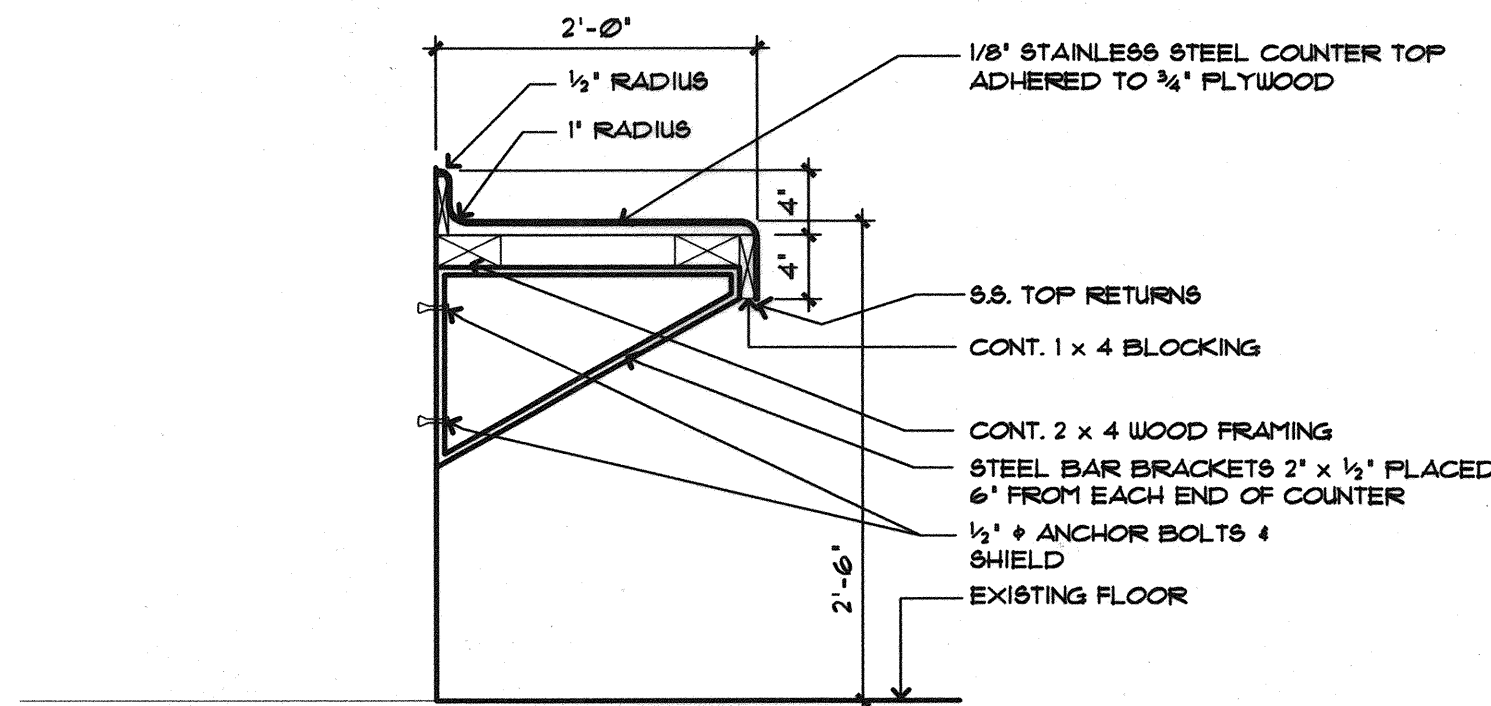
2  
A1004T

IN ASSOCIATION WITH:  
GORRILL-PALMER CONSULTING ENGINEERS  
PERATROVICH, NOTTINGHAM & GRAGE  
ARCHITECTS  
HALEY & ALDRICH

**BEA**

STATE OF MAINE  
DEPARTMENT OF TRANSPORTATION  
PROJECT NUMBER 009215.00

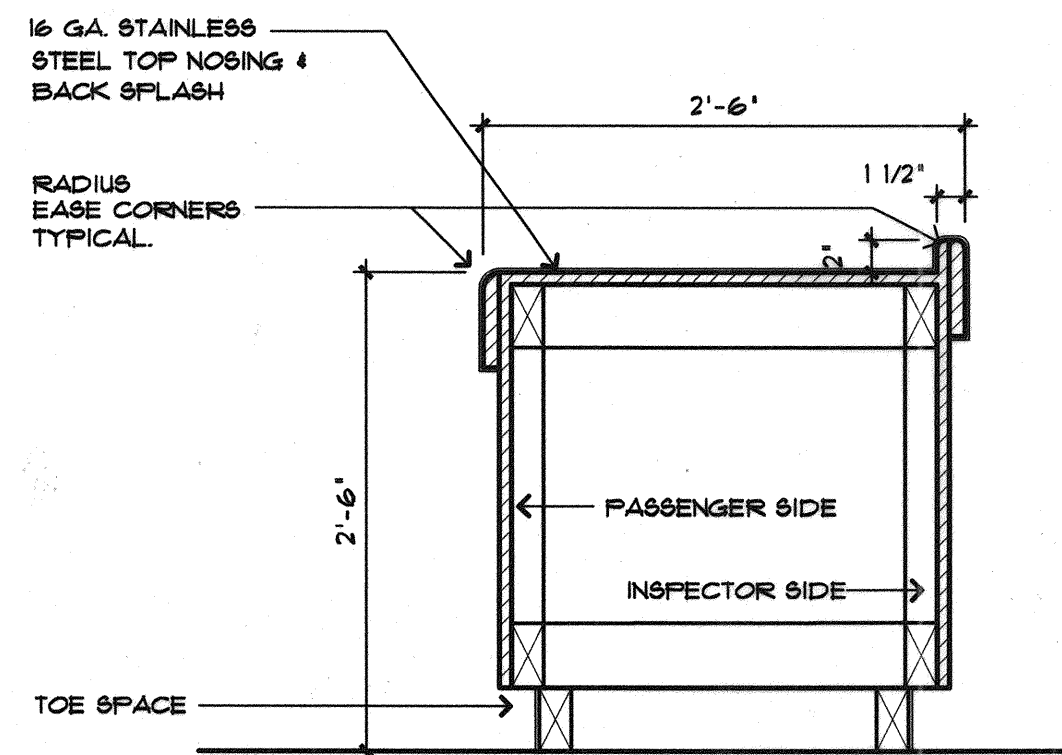
PIN  
009215.00



**SECTION THROUGH STEEL COUNTER (IN SEARCH ROOM)**

SCALE: 1" = 1'-0"

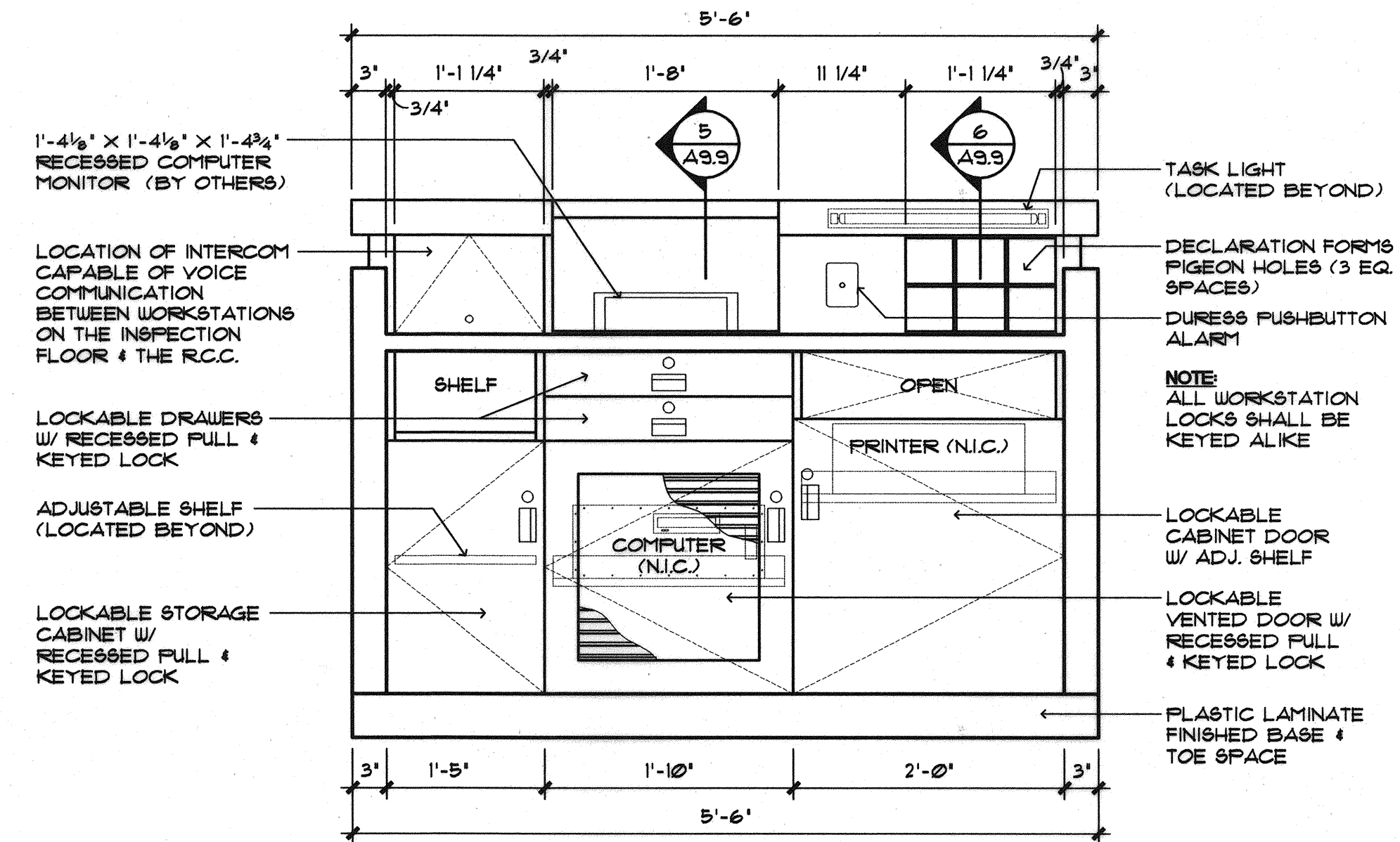
2  
A1004T



**COUNTER SECT. C-C**

SCALE: 1" = 1'-0"

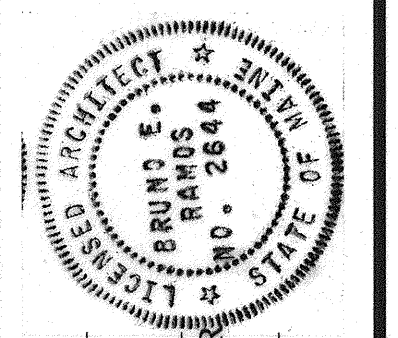
3  
A1004T



**WORKSTATION ELEVATION**

SCALE: 1" = 1'-0"

4  
A1004T



PROJ. MANAGER	PAUL POTTLE
DESIGN-DETAILED	
CHECKED-REVIEWED	
DESIGN-2-DETAILED	
DESIGN-3-DETAILED	
REVISIONS 1	
REVISIONS 2	
REVISIONS 3	
REVISIONS 4	
FIELD CHANGES	

CITY OF PORTLAND  
OCEAN GATEWAY PHASE 1  
MILL WORK DETAILS

A1004-T

Filename: \\Server1\projects\02-0818 Maine Int. Ferry Terminal\PHASE 1\Architecture\FINAL CONSTRUCTION DOCUMENTS\TERMINAL BUILDING\20343802-T-A1004.dwg, Oct.07.2004 - 6:19pm