

RAILING DETAIL TYP. B

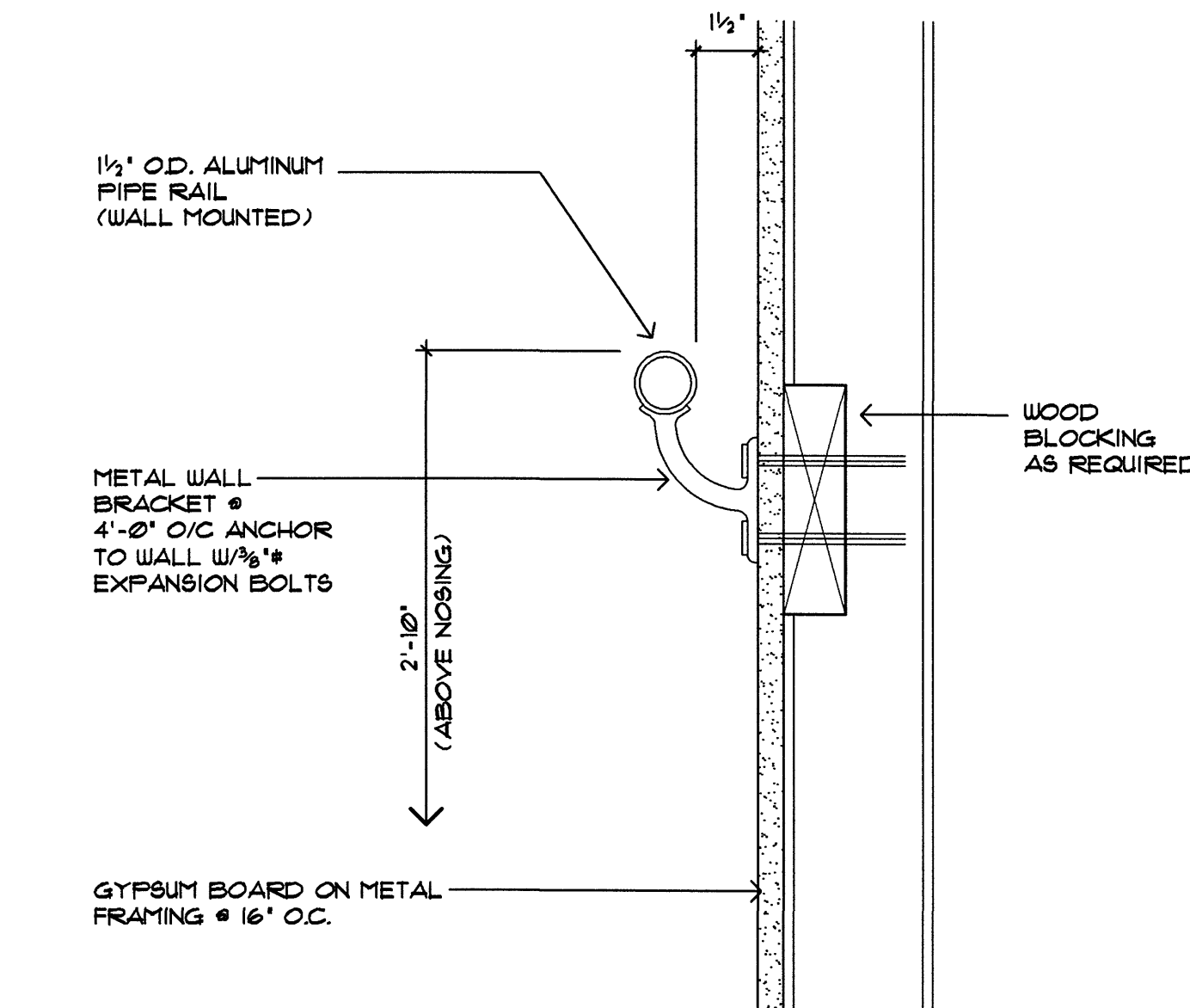
1/2" = 1'-0"

1
A1001T

HANDRAIL DETAIL STAIR No.1

SCALE: 3" = 1'-0"

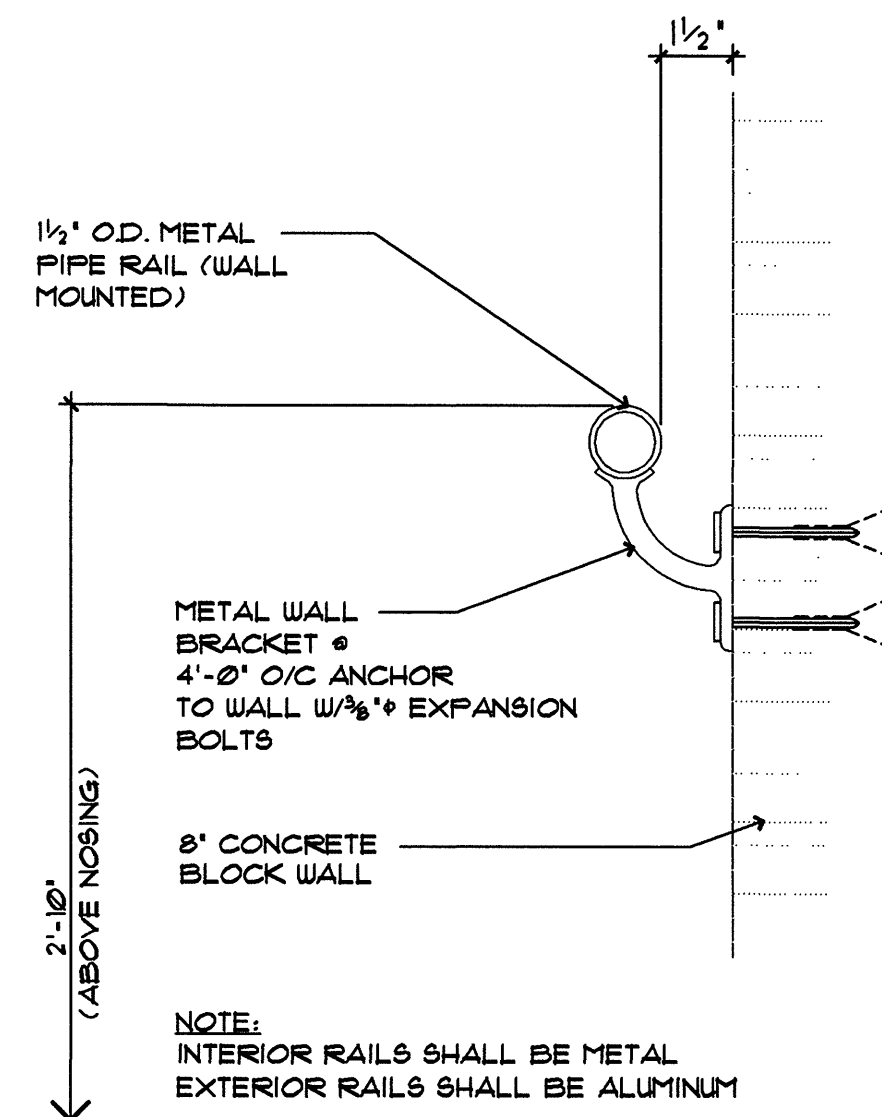
2
A1001T



HANDRAIL DETAIL STAIR No.2

SCALE: 3" = 1'-0"

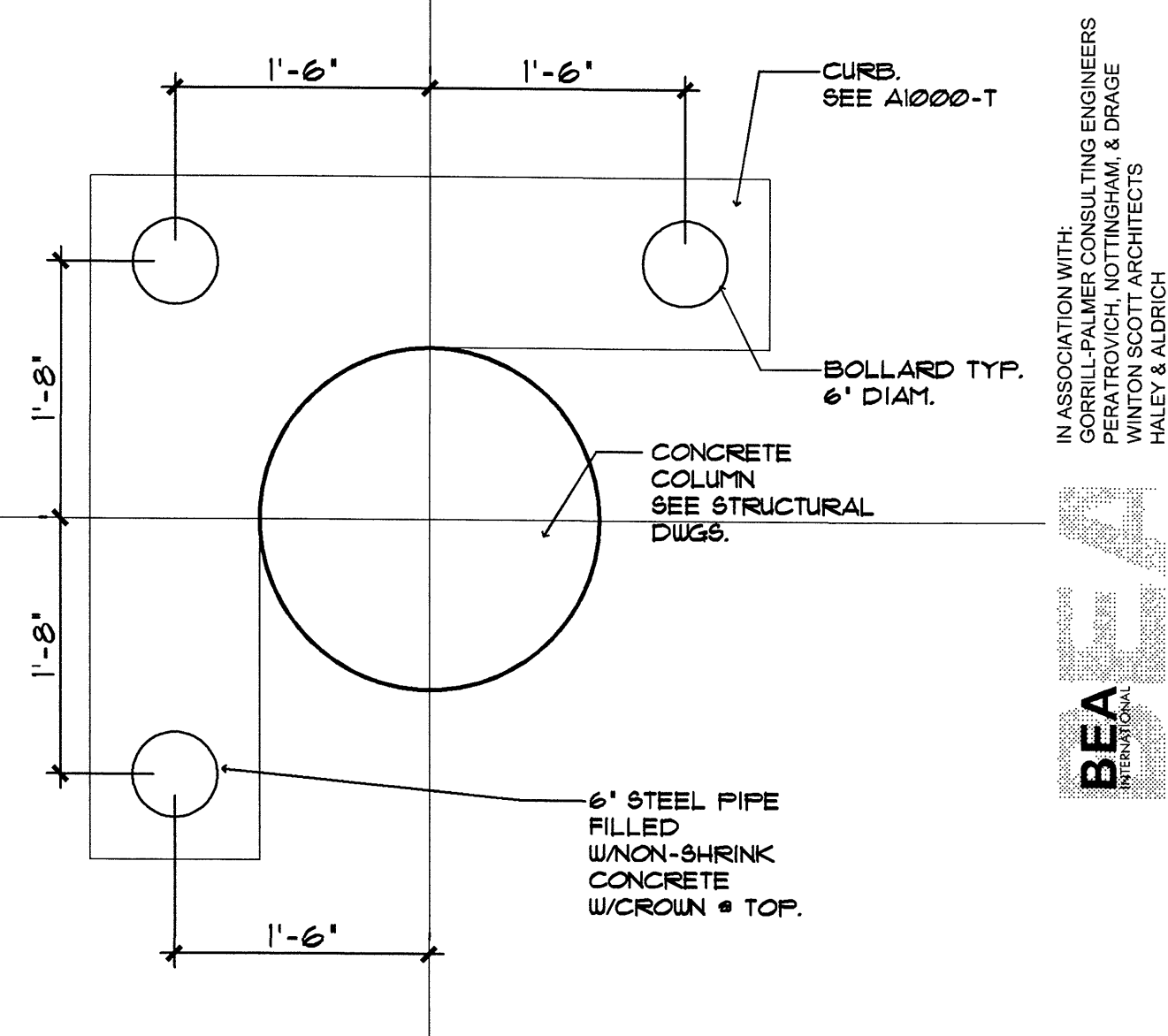
3
A1001T



BOLLARD DETAIL

SCALE: 1" = 1'-0"

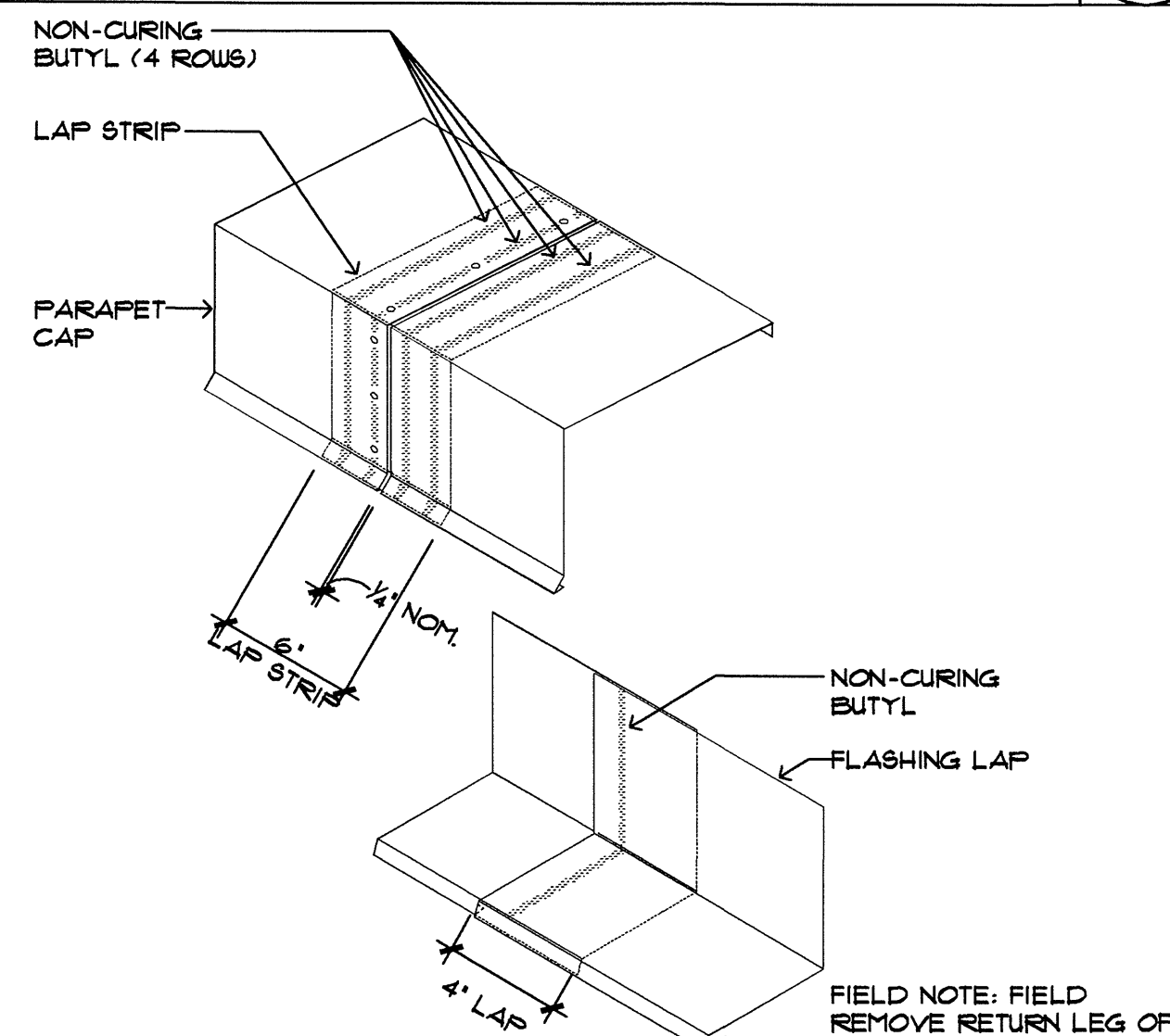
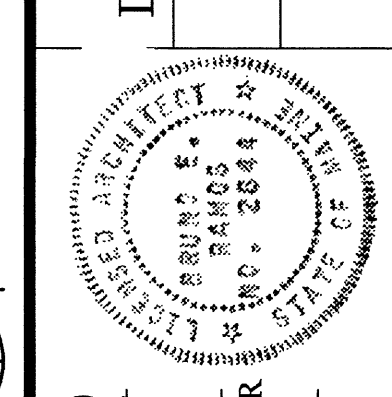
4
A1001T



IN ASSOCIATION WITH:
GERRILL PALMER CONSULTING ENGINEERS
PERATROVICH, NOTTINGHAM, & DRAGE
WINTON SCOTT ARCHITECTS
HALEY & ALDRICH

BEA
ENGINEERS ARCHITECTS

STATE OF MAINE
DEPARTMENT OF TRANSPORTATION
PROJECT NUMBER 009215.00
PIN
009215.00



PARAPET SIDING AND FLASHING LAP DETAIL

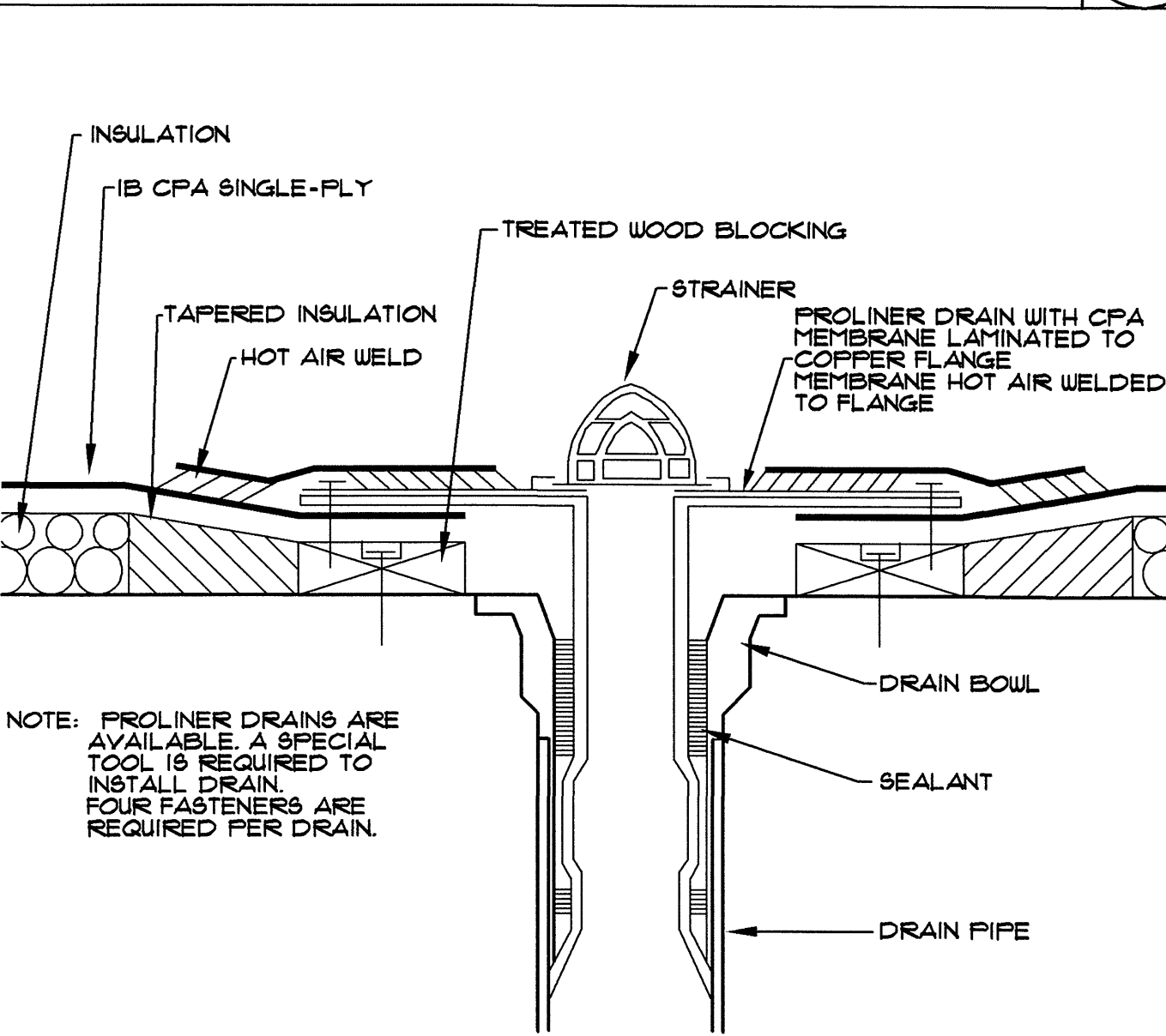
SCALE: N.T.S.

5
A1001T

DRAIN AND MEMBRANE DETAIL

SCALE: 3" = 1'-0"

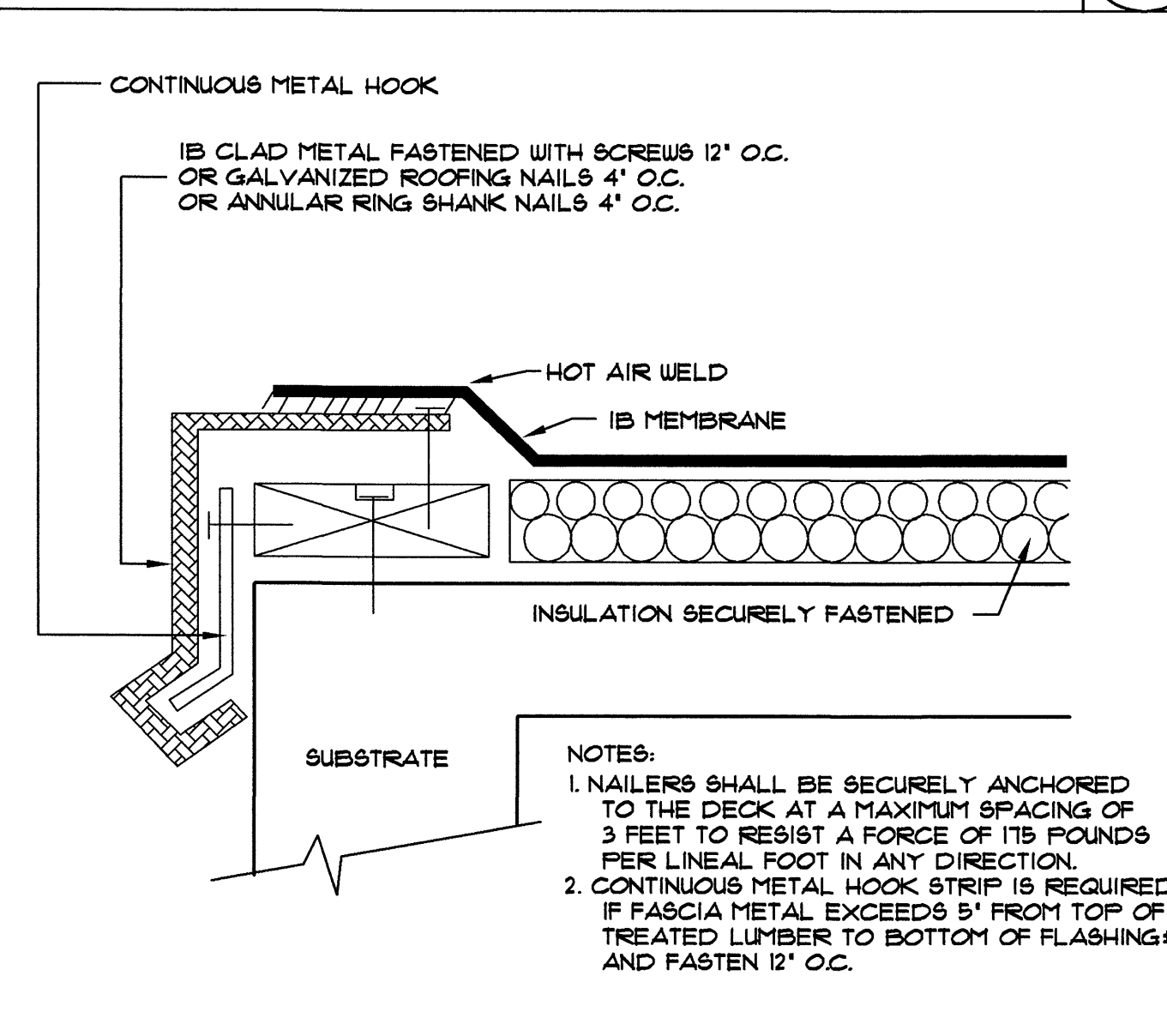
6
A1001T



ROOF DETAIL

SCALE: 3" = 1'-0"

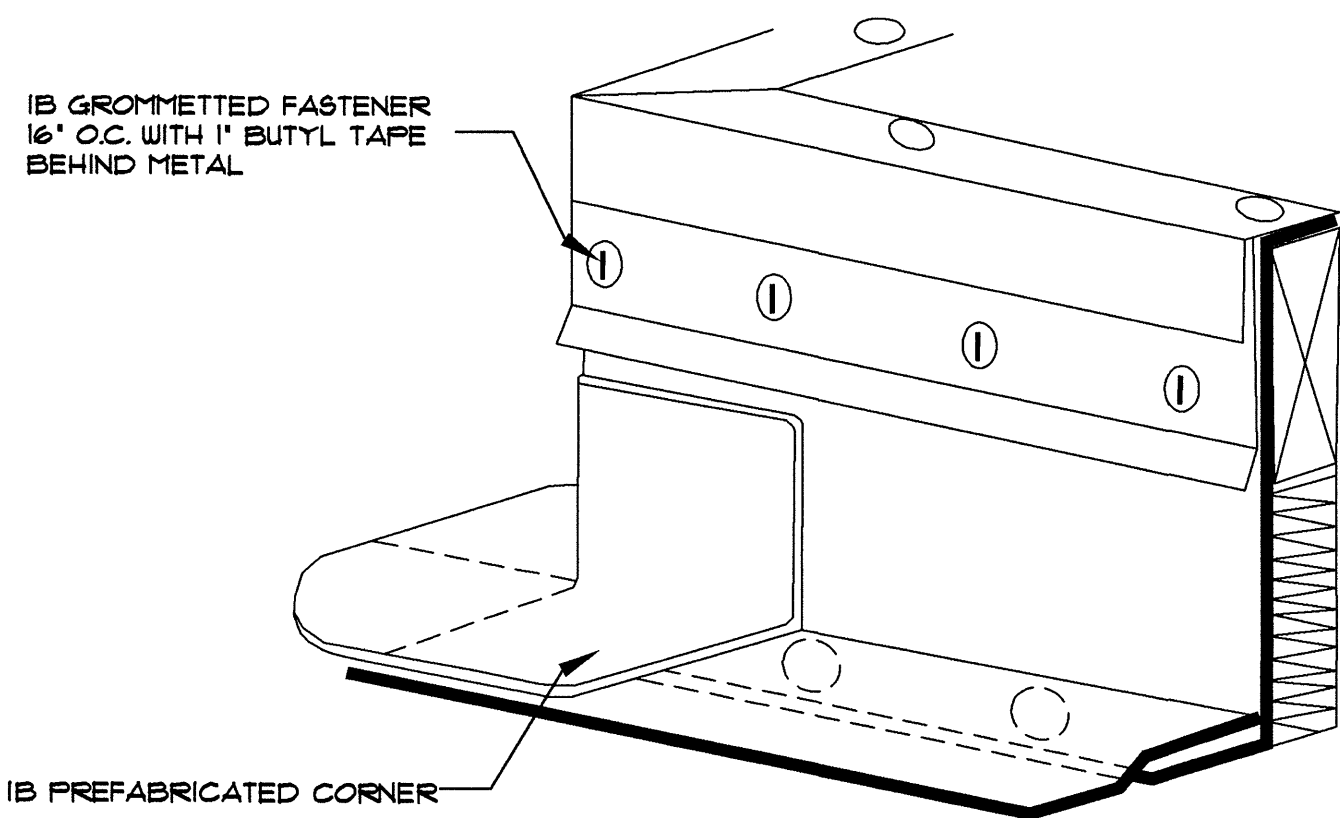
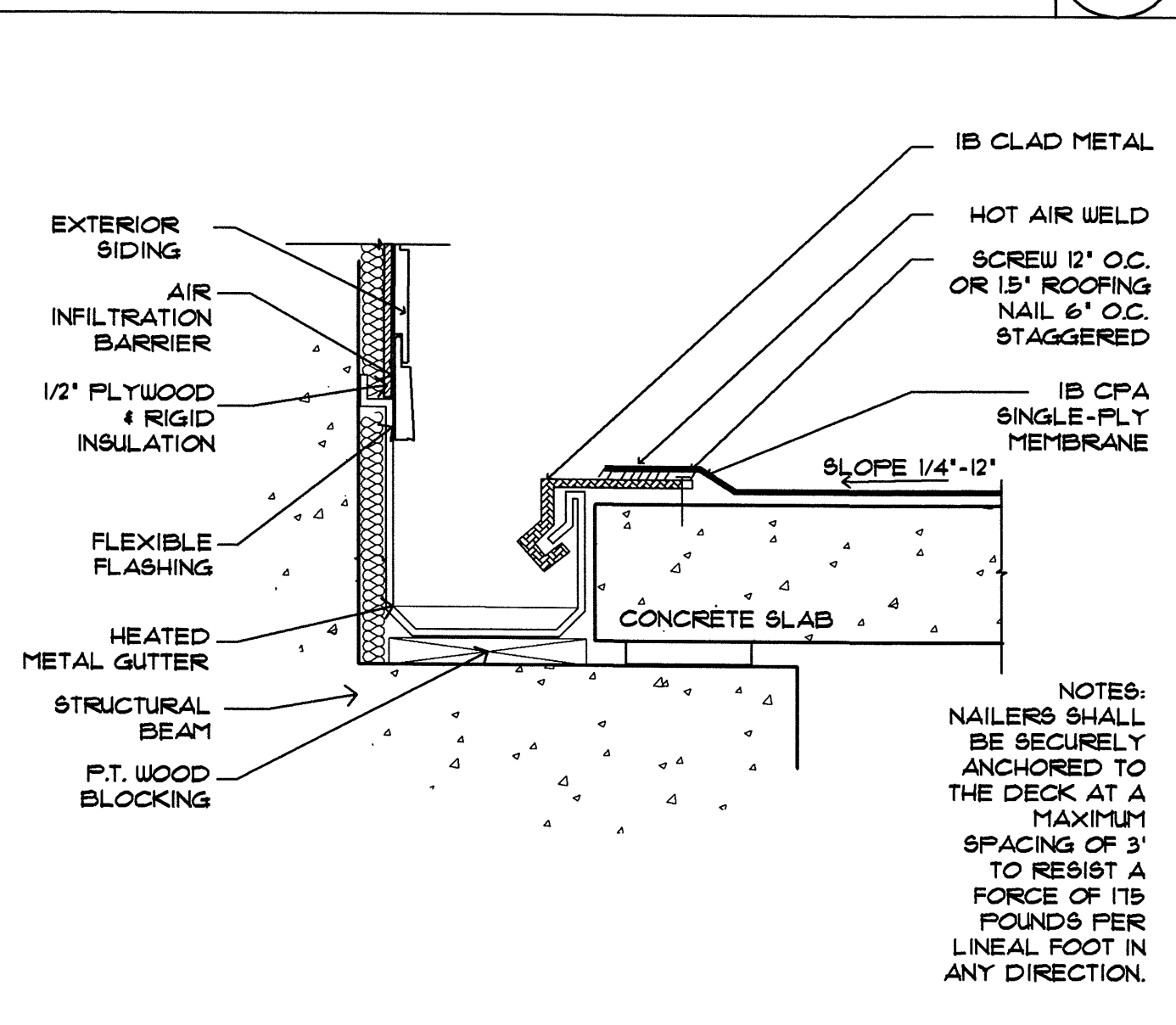
7
A1001T



GUTTER DETAIL

SCALE: N.T.S.

8
A1001T



HVAC CURB OUTSIDE CORNER DETAIL

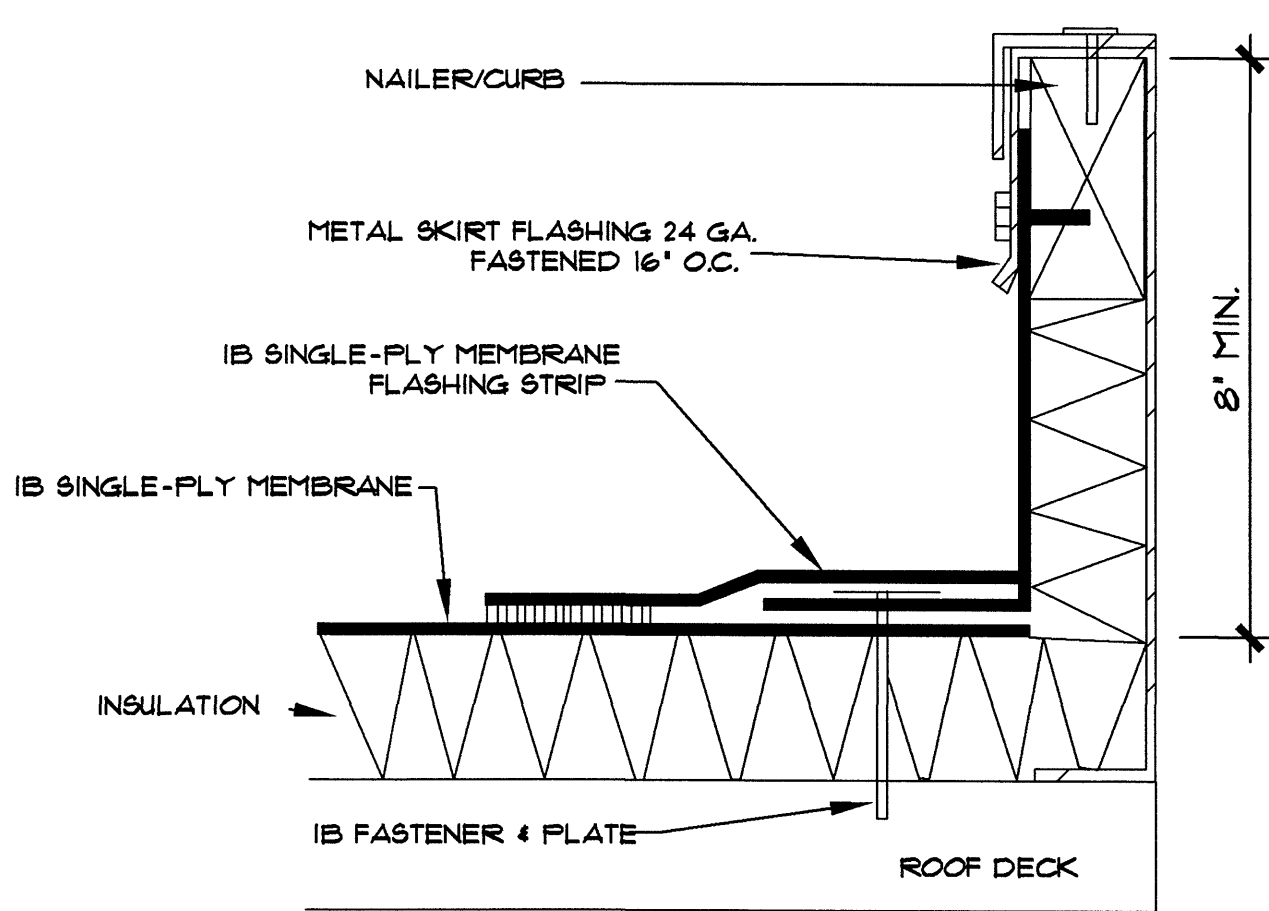
SCALE: N.T.S.

9
A1001T

PARAPET DETAIL

SCALE: 3" = 1'-0"

9
A1001T



PARAPET DETAIL

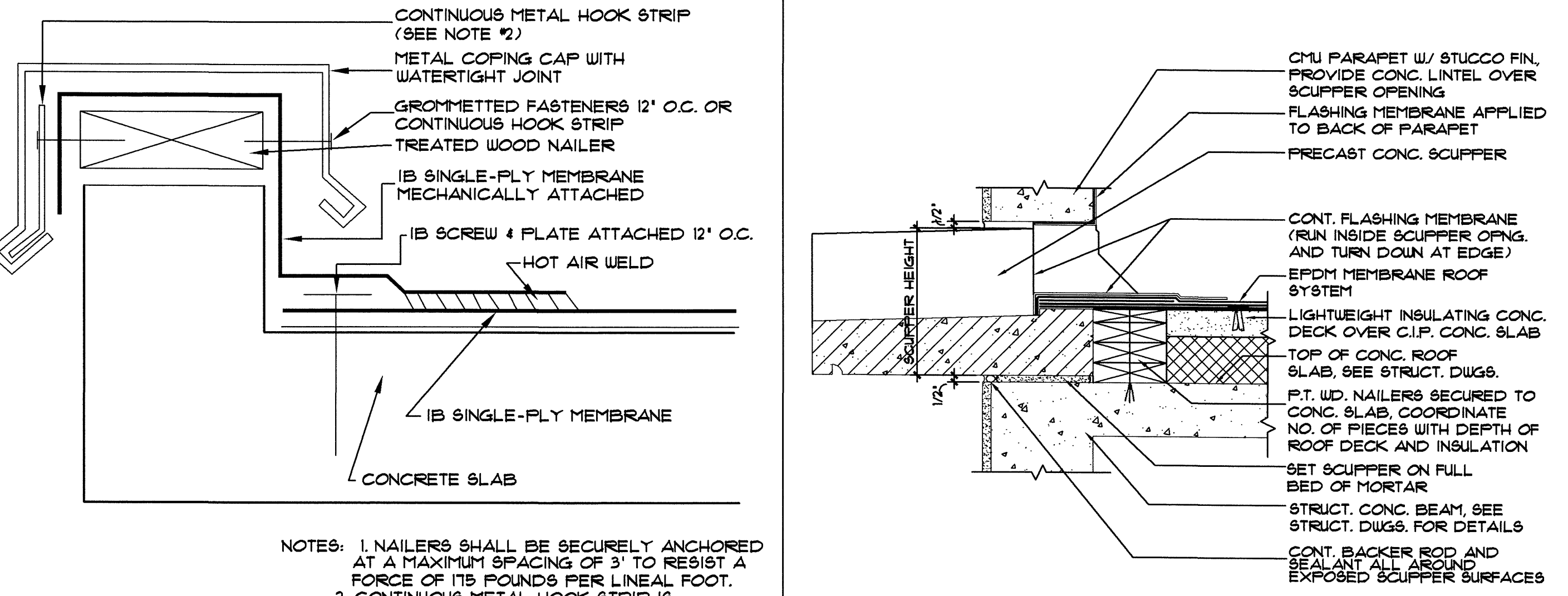
SCALE: 3" = 1'-0"

10
A1001T

THRU-WALL SCUPPER

SCALE: 1 1/2" = 1'-0"

11
A1001T



CITY OF PORTLAND
OCEAN GATEWAY PHASE 1

DETAILS

A1001-T