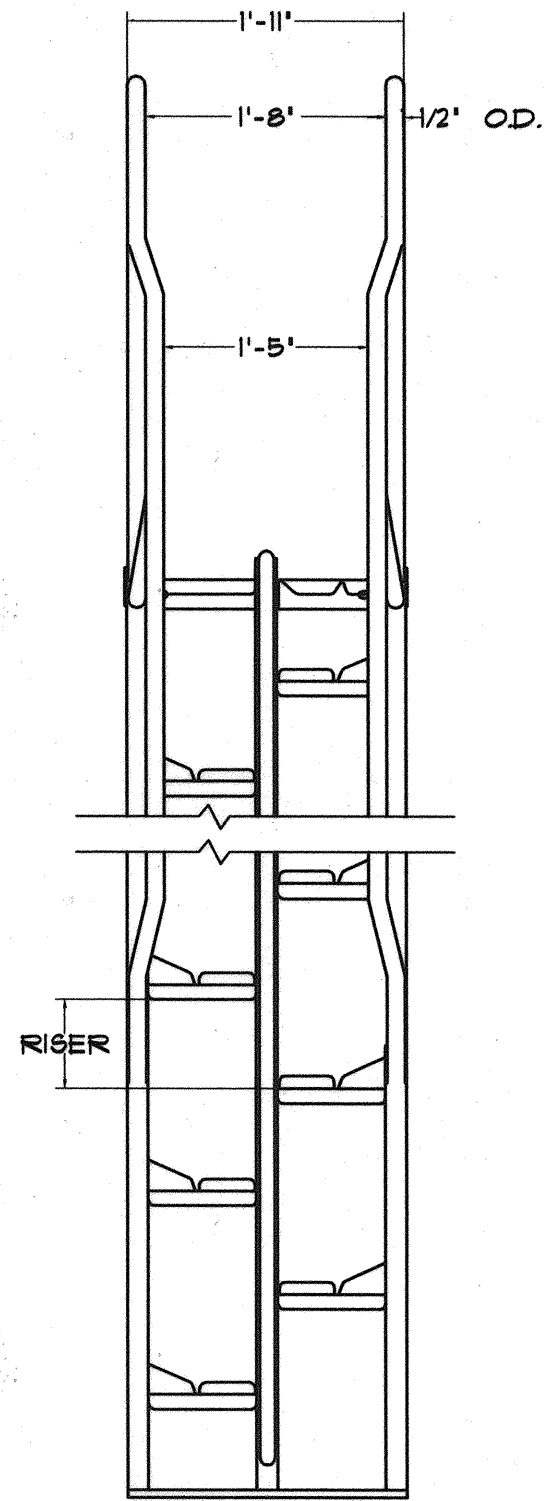
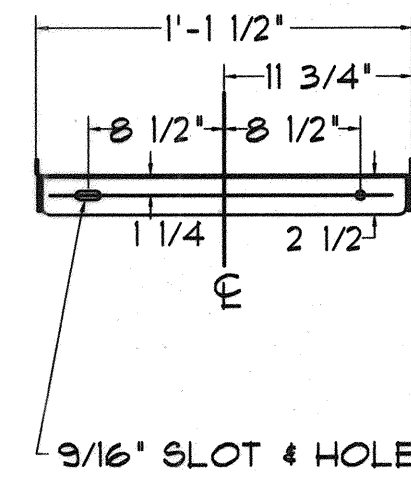


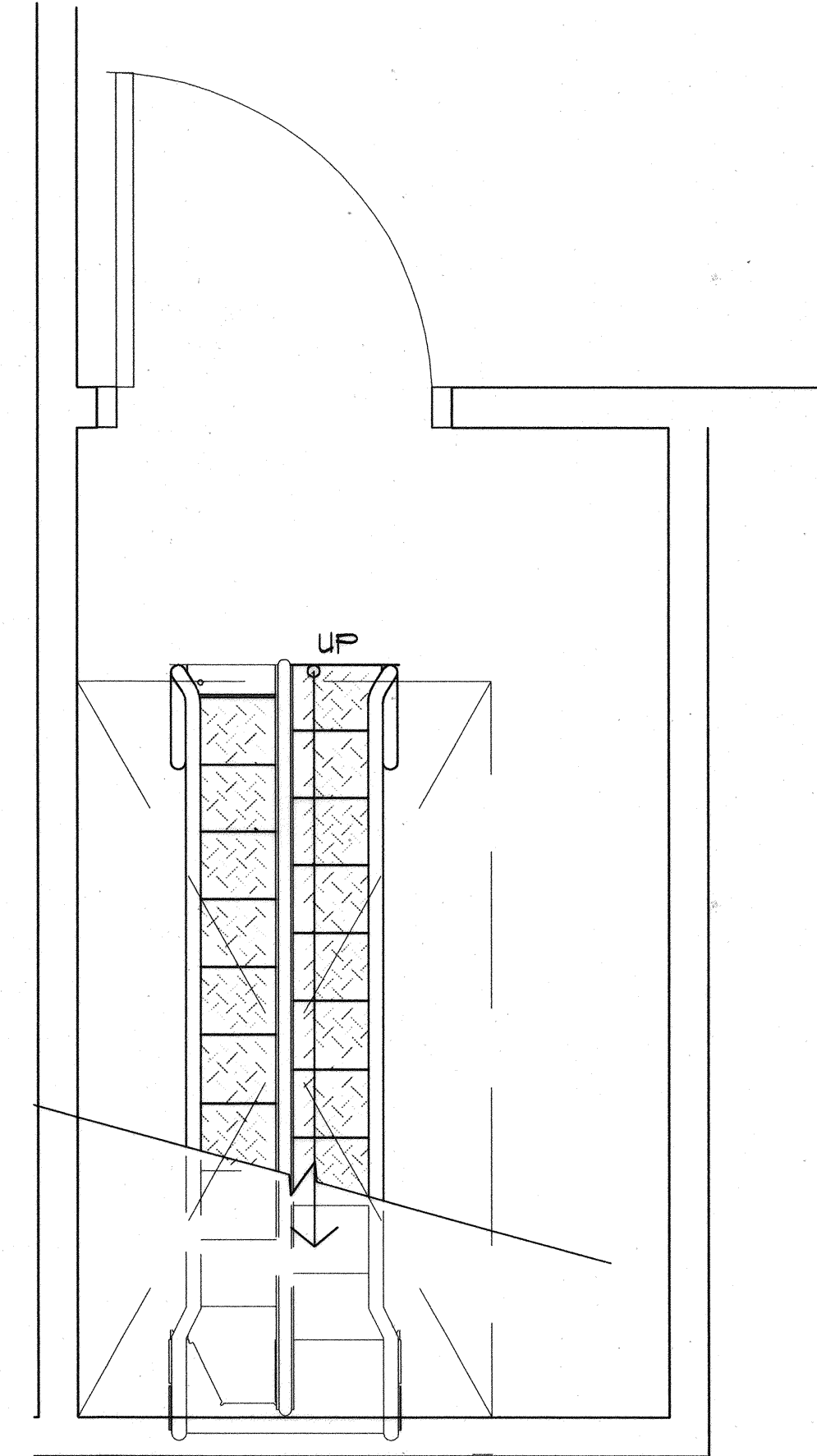
**ALUMINUM LADDER- STAIR N°3  
SECTION**  
SCALE: 3/4"=1'-0"



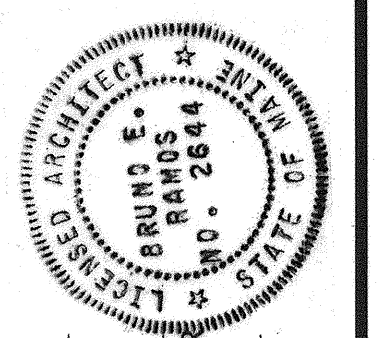
**ALUMINUM LADDER  
ELEVATION**  
SCALE: 3/4"=1'-0"



**LADDER  
ALUMINUM TREAD**  
SCALE: 1"=1'-0"



**ALUMINUM LADDER- STAIR N°3  
FLOOR PLAN**  
SCALE: 3/4"=1'-0"



SIGNATURE  
P. LICENCE NUMBER  
ARC 2644  
DATE  
10/8/2004

PROJ. MANAGER	PAUL POTTLE	BY	DATE
DESIGN-DETAILED			
CHECKED-REVIEWED			
DESIGN-DETAILED2			
DESIGN-DETAILED3			
REVISIONS 1			
REVISIONS 2			
REVISIONS 3			
REVISIONS 4			
FIELD CHANGES			

CITY OF PORTLAND  
OCEAN GATEWAY PHASE 1  
STAIR DETAILS