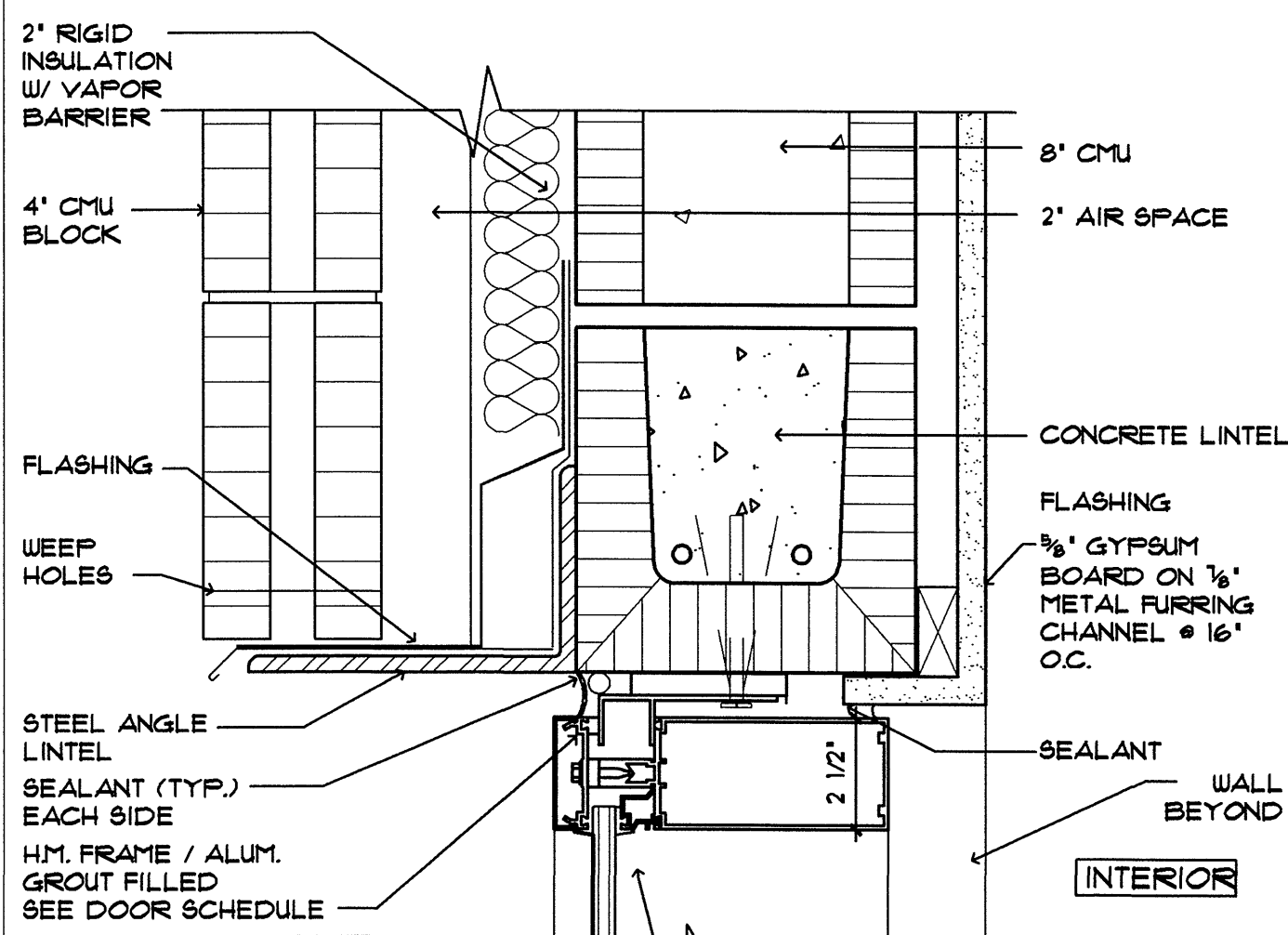


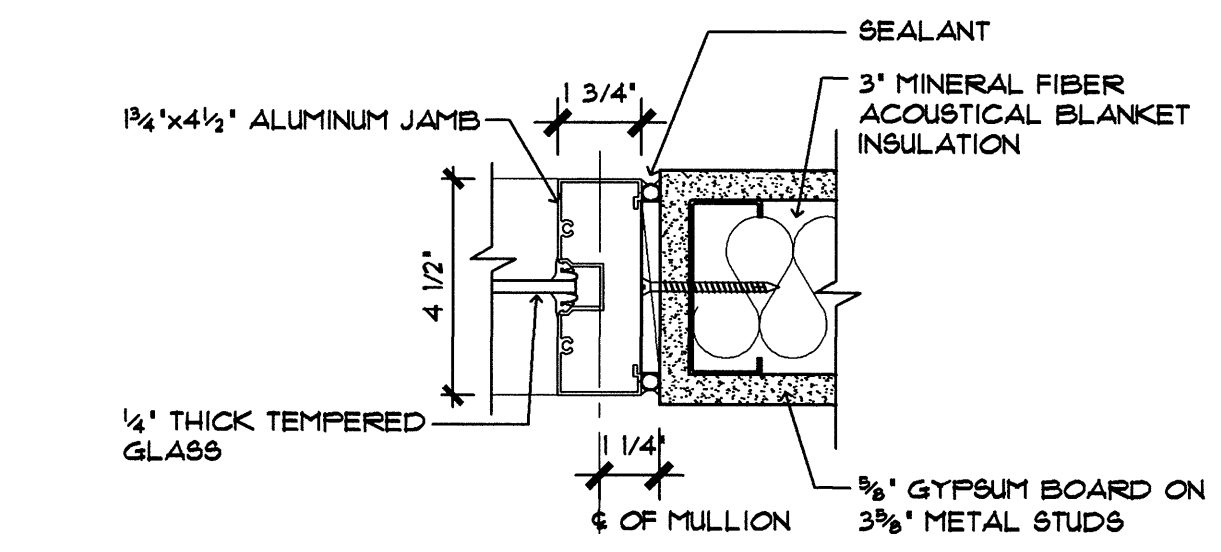
WINDOW HEAD DETAIL
SCALE: 3' = 1'-0"

1
A605T



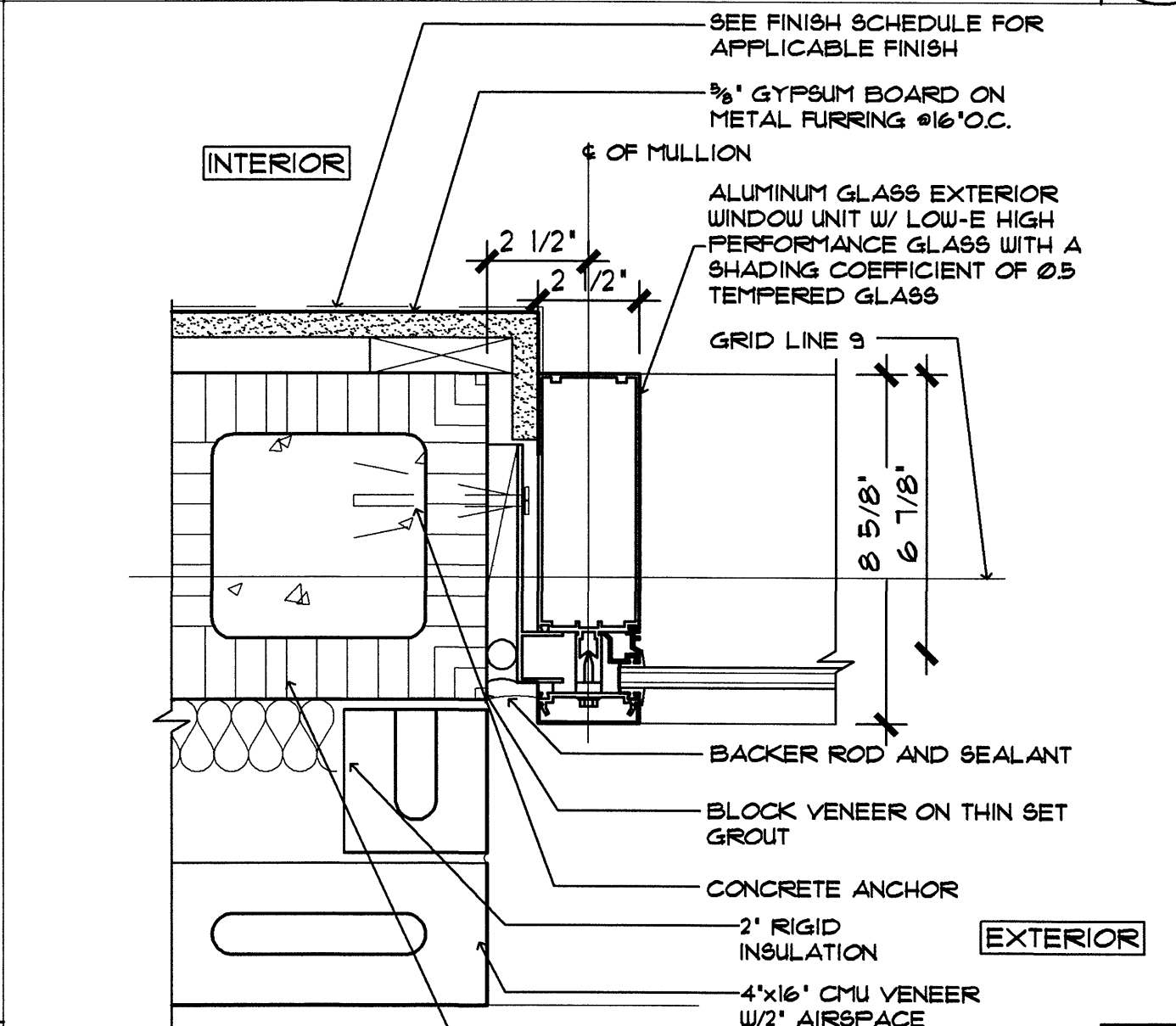
WINDOW HEAD DETAIL
SCALE: 3' = 1'-0"

2
A605T



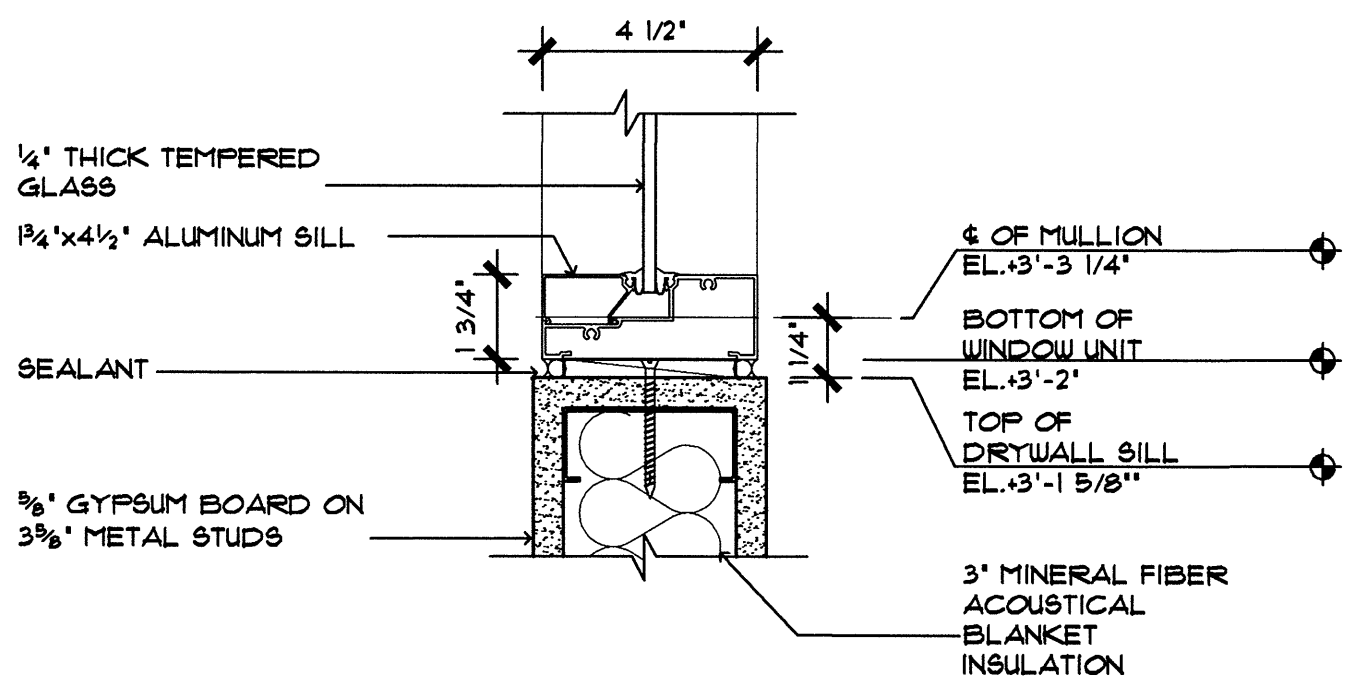
WINDOW JAMB DETAIL
SCALE: 3' = 1'-0"

5
A605T



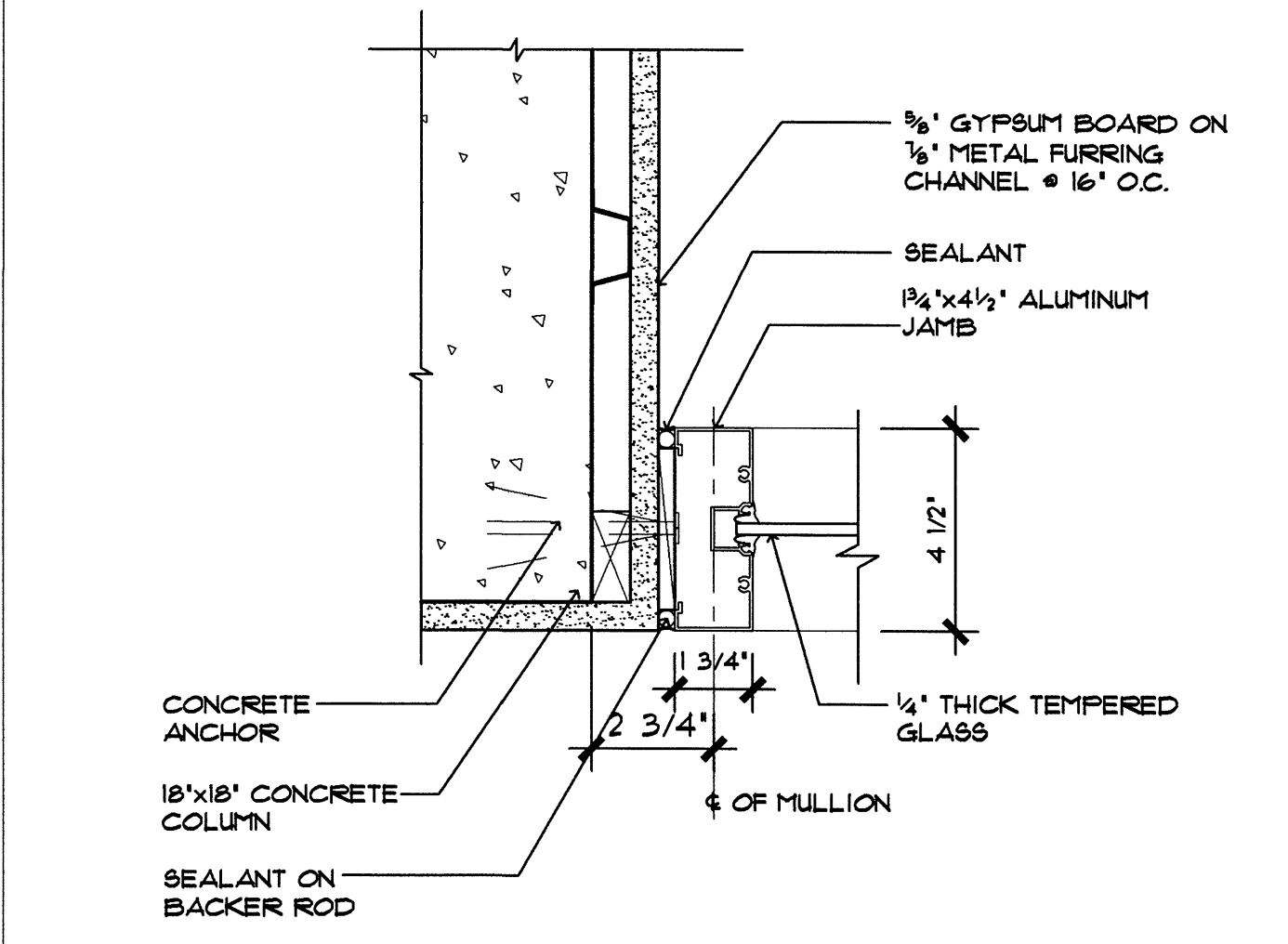
WINDOW DETAIL
SCALE: 3' = 1'-0"

6
A605T



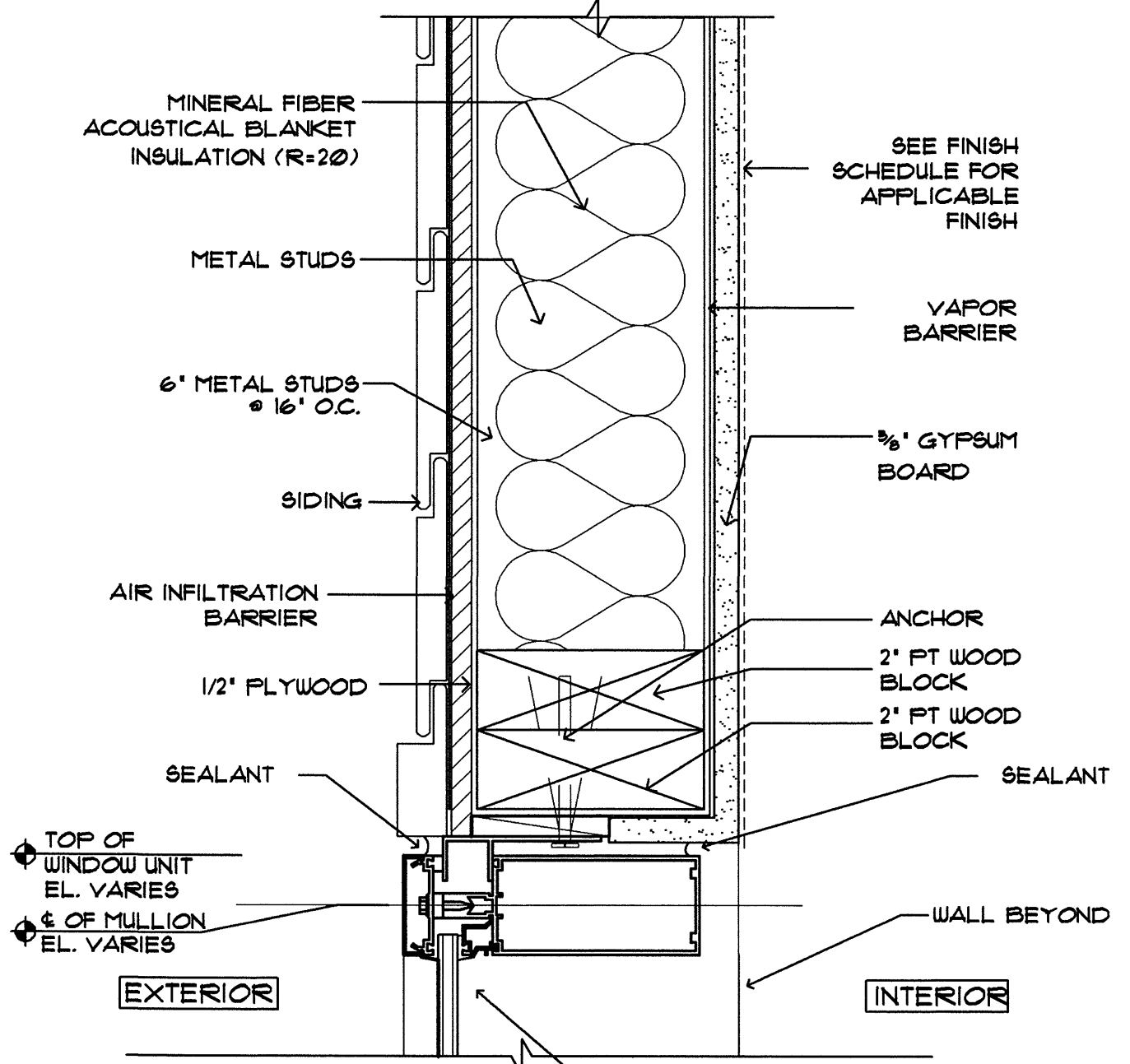
WINDOW SILL DETAIL
SCALE: 3' = 1'-0"

8
A605T



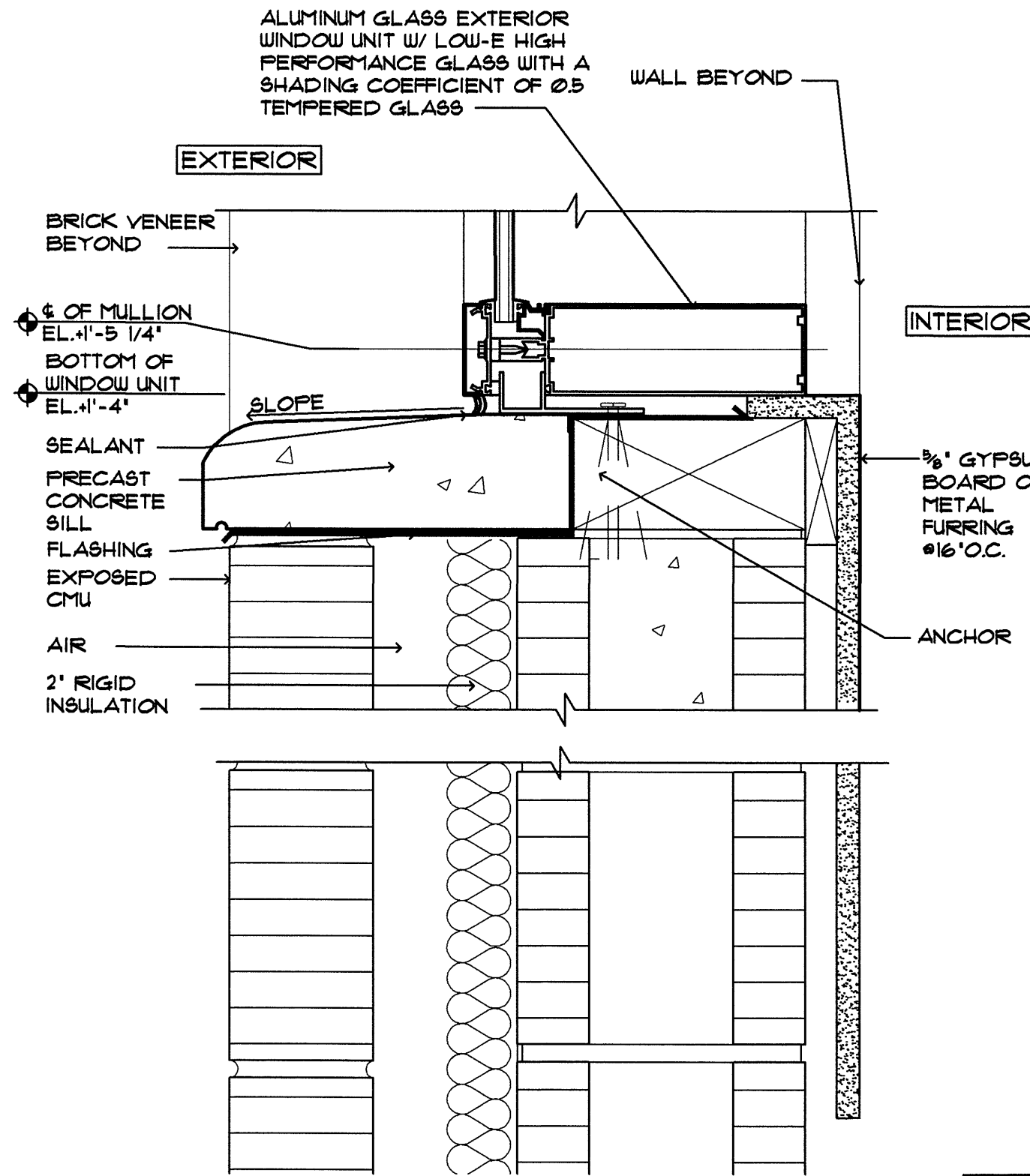
WINDOW JAMB DETAIL
SCALE: 3' = 1'-0"

9
A605T



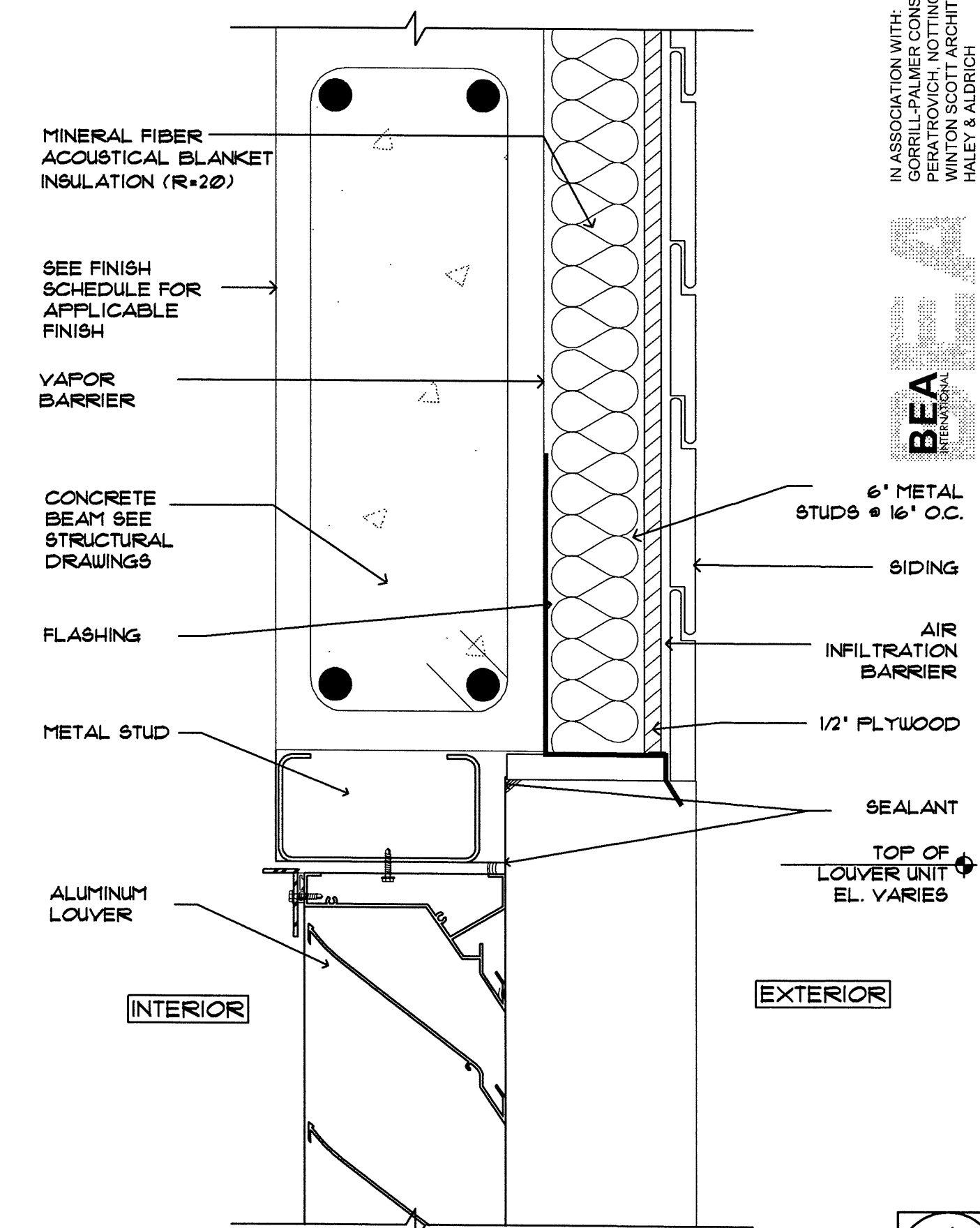
WINDOW HEAD DETAIL
SCALE: 3' = 1'-0"

3
A605T



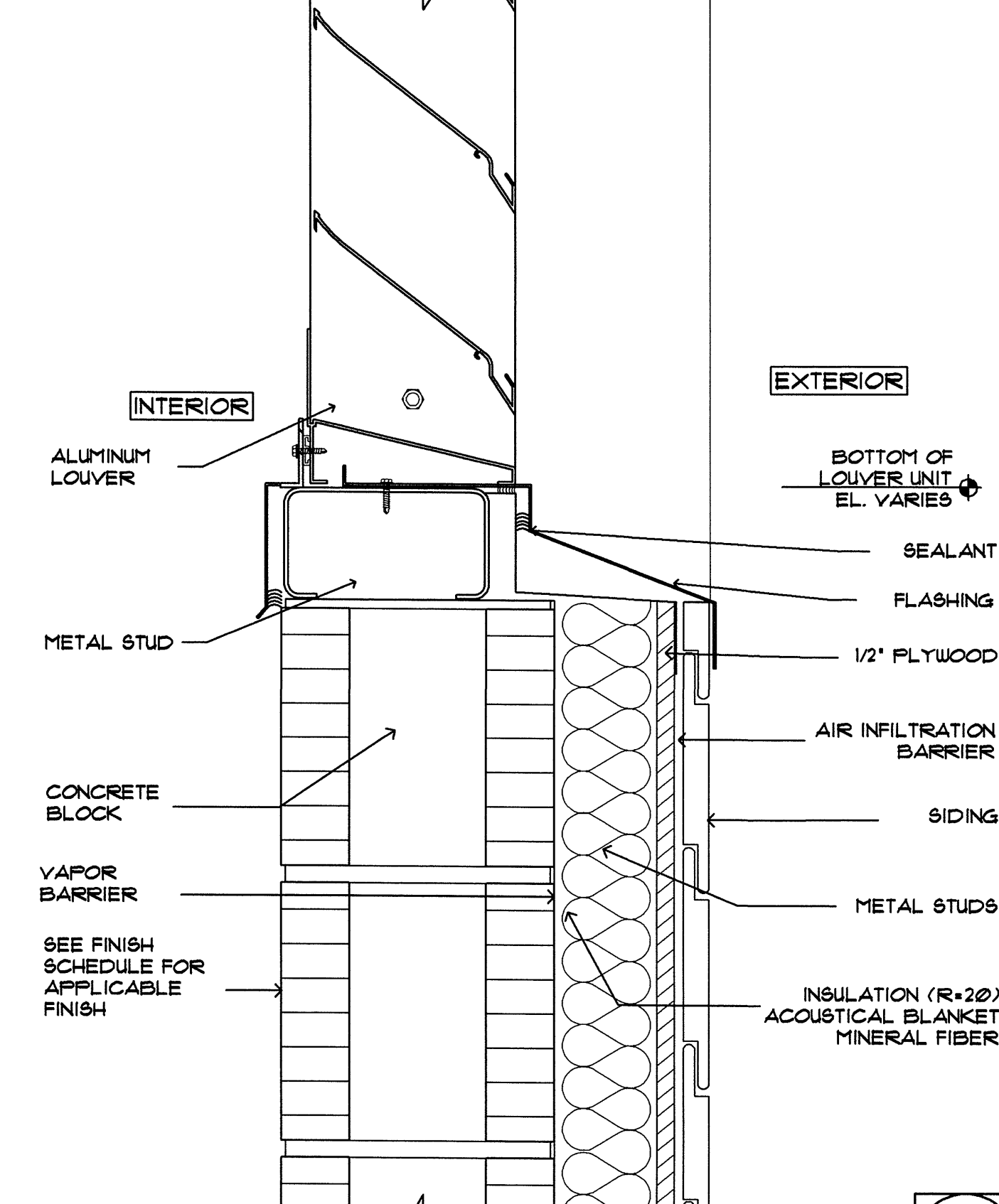
WINDOW JAMB DETAIL
SCALE: 3' = 1'-0"

10
A605T



LOUVER HEAD DETAIL
SCALE: 3' = 1'-0"

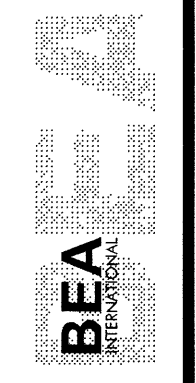
4
A605T



LOUVER SILL DETAIL
SCALE: 3' = 1'-0"

11
A605T

IN ASSOCIATION WITH:
GORRILL-PALMER CONSULTING ENGINEERS
GERRITZHOFF, NOTTINGHAM, & DRABE
WINTON SCOTT ARCHITECTS
PAULEY & ALDRICH



STATE OF MAINE DEPARTMENT OF TRANSPORTATION		PROJECT NUMBER 009215.00		PIN 009215.00	
CITY OF PORTLAND OCEAN GATEWAY PHASE 1		WINDOW DETAILS		A605-T	
PROJ. MANAGER	PAUL POTLIE	DATE		BY	
DESIGN-DETAILED		CHECKED-REVIEWED		DESIGN-2-DETAILED3	
DESIGN-3-DETAILED3		REVISIONS 1		REVISIONS 2	
REVISIONS 3		REVISIONS 4		FIELD CHANGES	
P. LICENCE NUMBER ARC 2644		DATE 10/8/2004		SIGNATURE	
P. LICENCE NUMBER ARC 2644		DATE 10/8/2004		DATE	

CITY OF PORTLAND
OCEAN GATEWAY PHASE 1
WINDOW DETAILS

A605-T