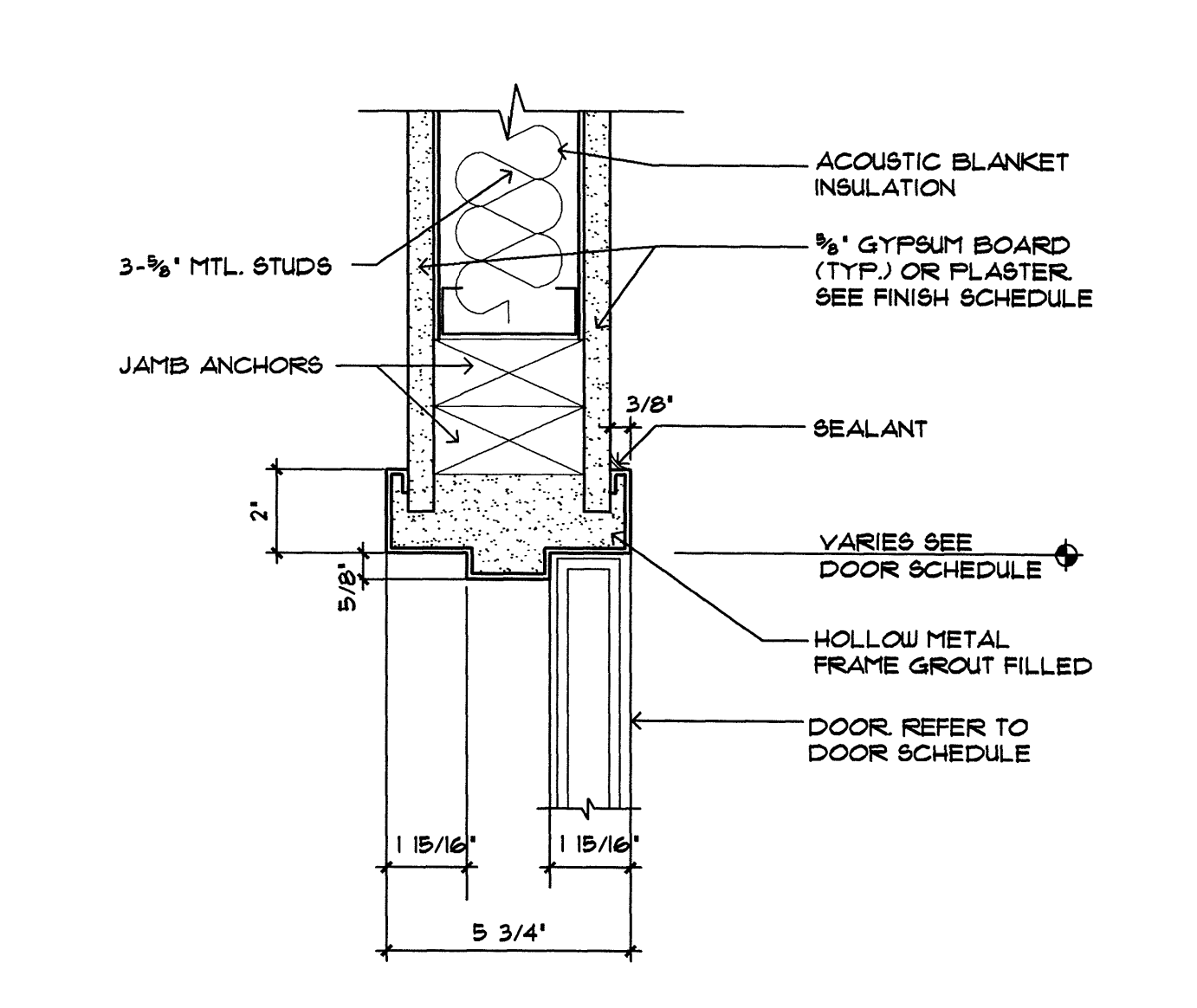
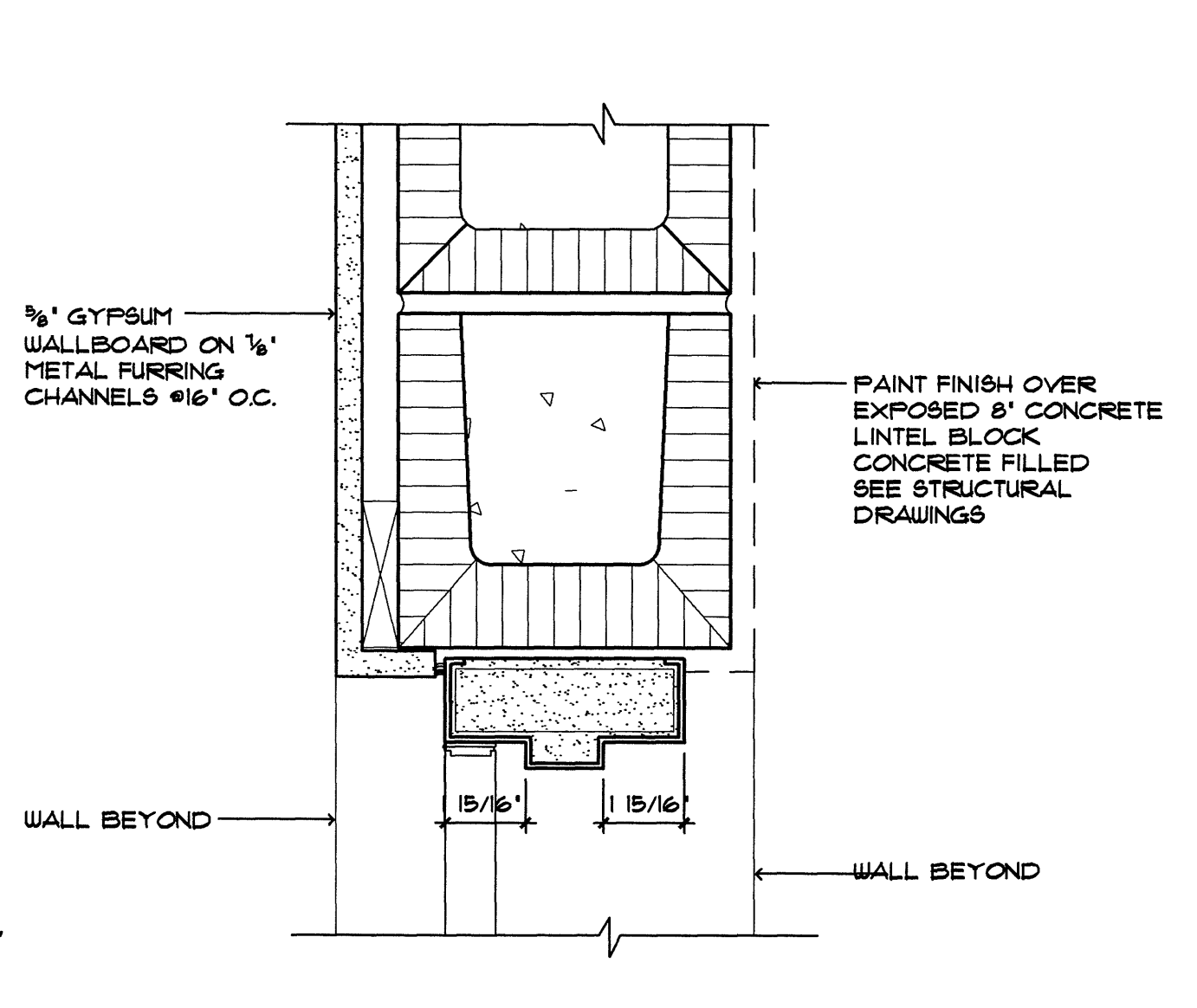


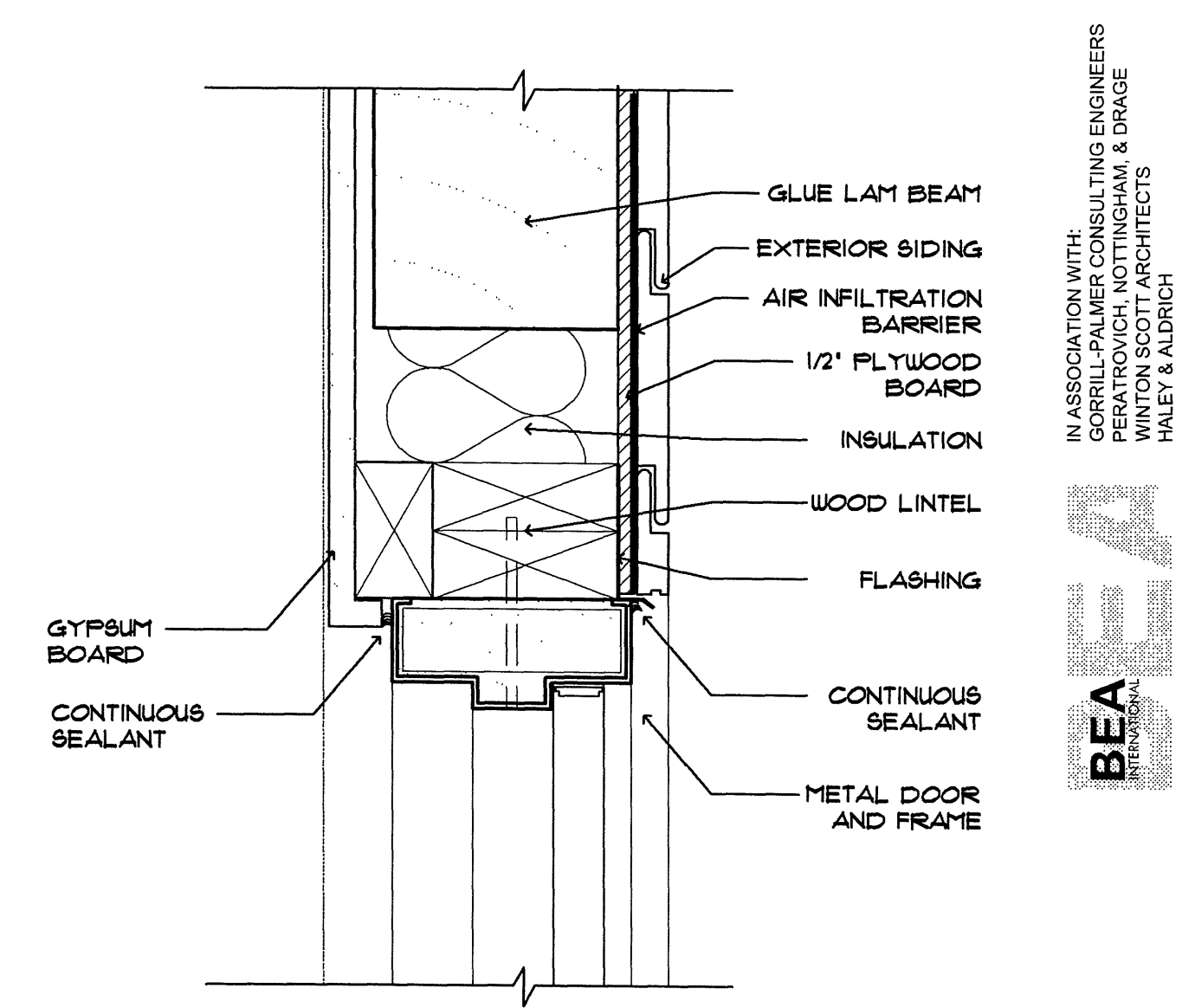
**1**  
A604-T  
**DOOR HEADER DETAIL**  
SCALE: 3' = 1'-0"



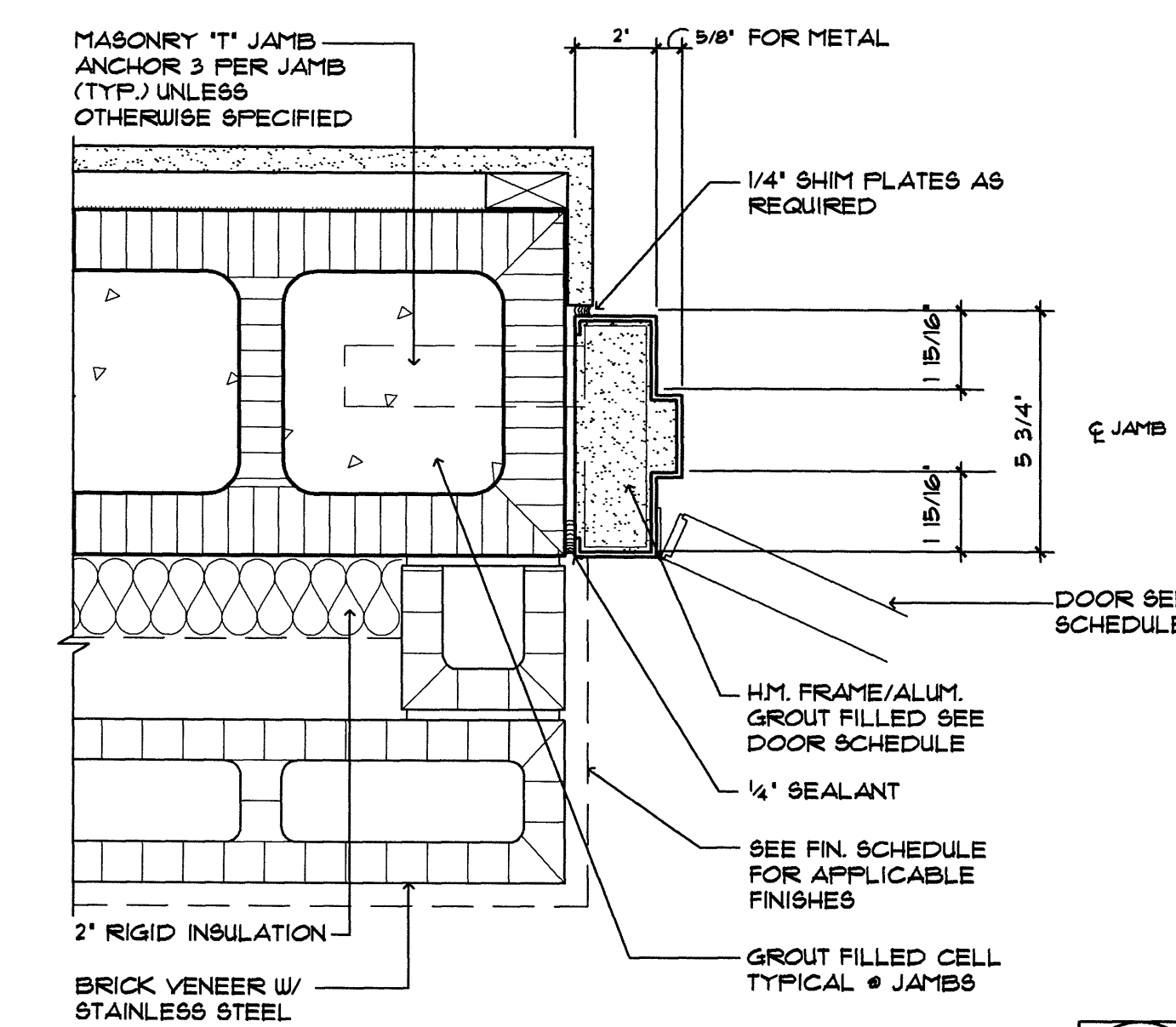
**2**  
A604-T  
**DOOR HEADER DETAIL**  
SCALE: 3' = 1'-0"



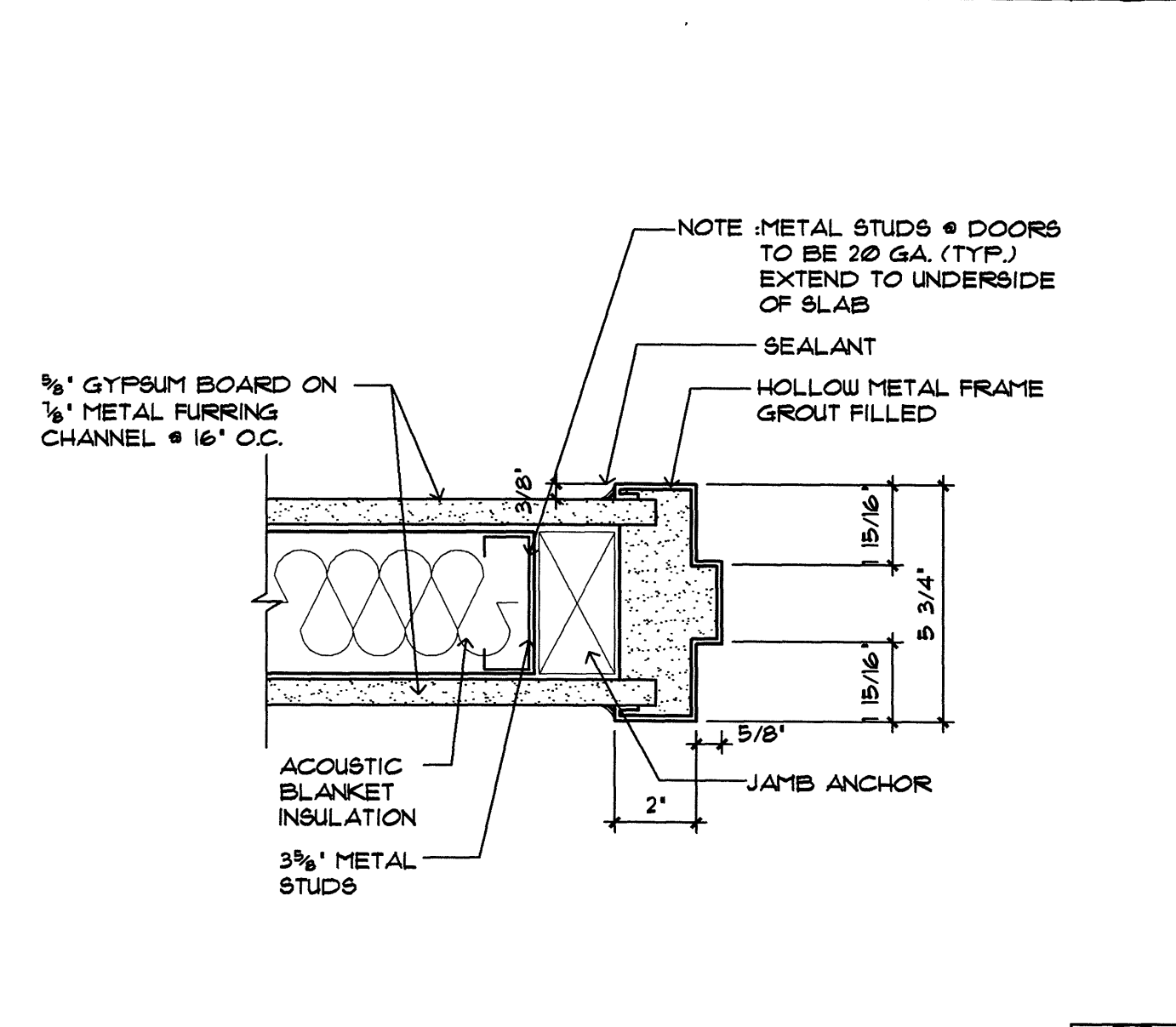
**3**  
A604-T  
**DOOR HEADER DETAIL**  
SCALE: 3' = 1'-0"



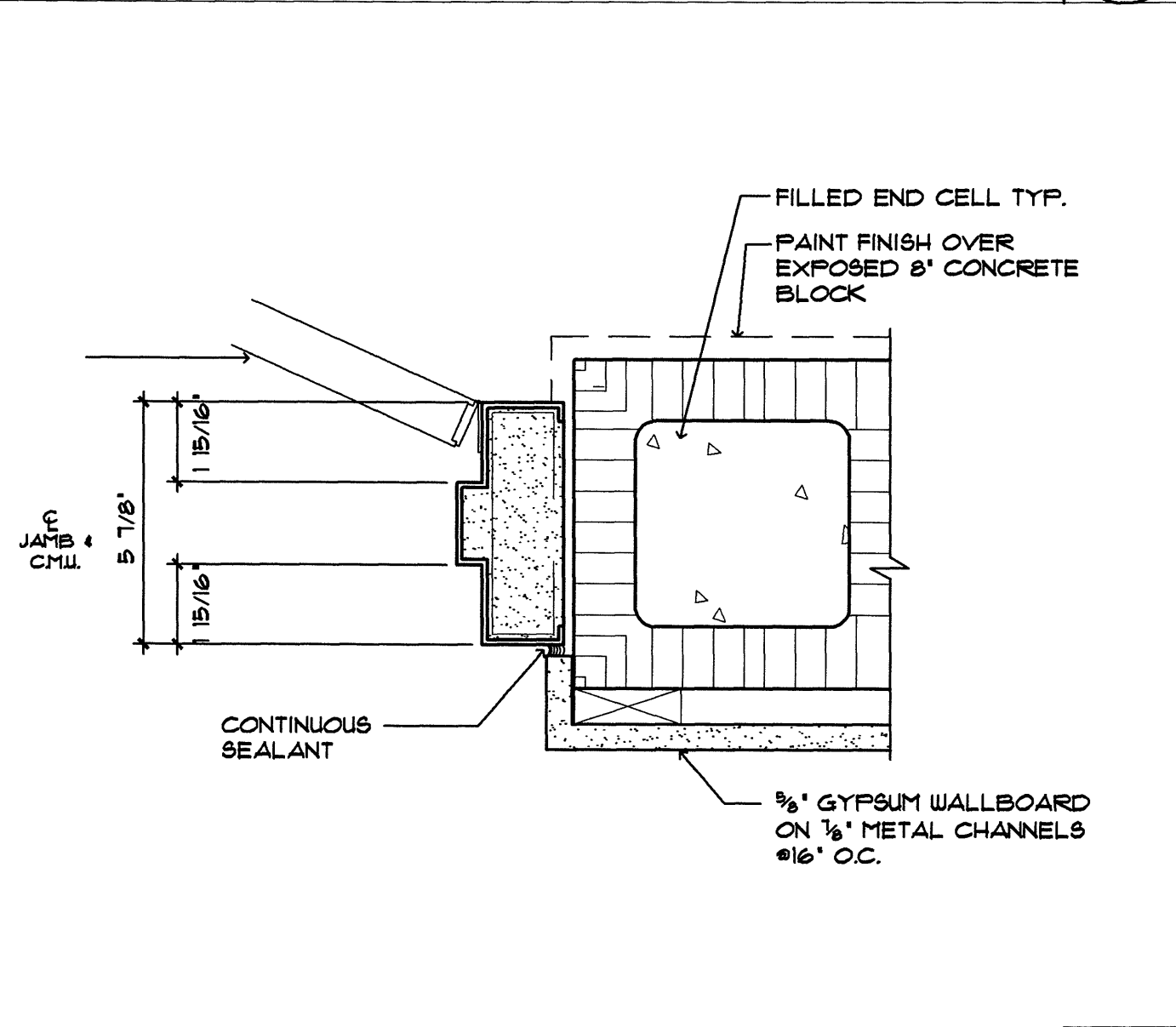
**4**  
A604-T  
**DOOR HEADER DETAIL**  
SCALE: 3' = 1'-0"



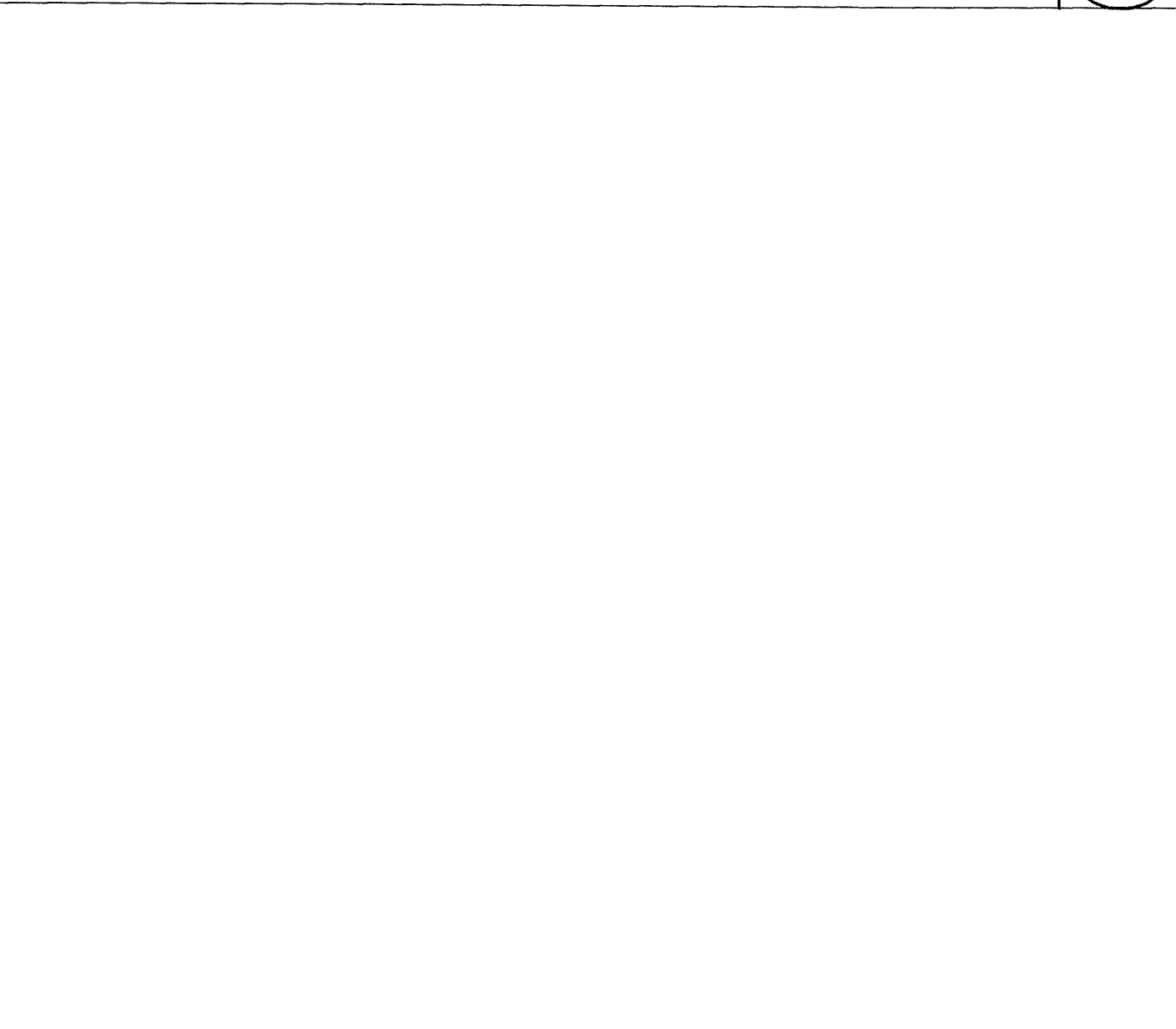
**5**  
A604-T  
**DOOR JAMB DETAIL**  
SCALE: 3' = 1'-0"



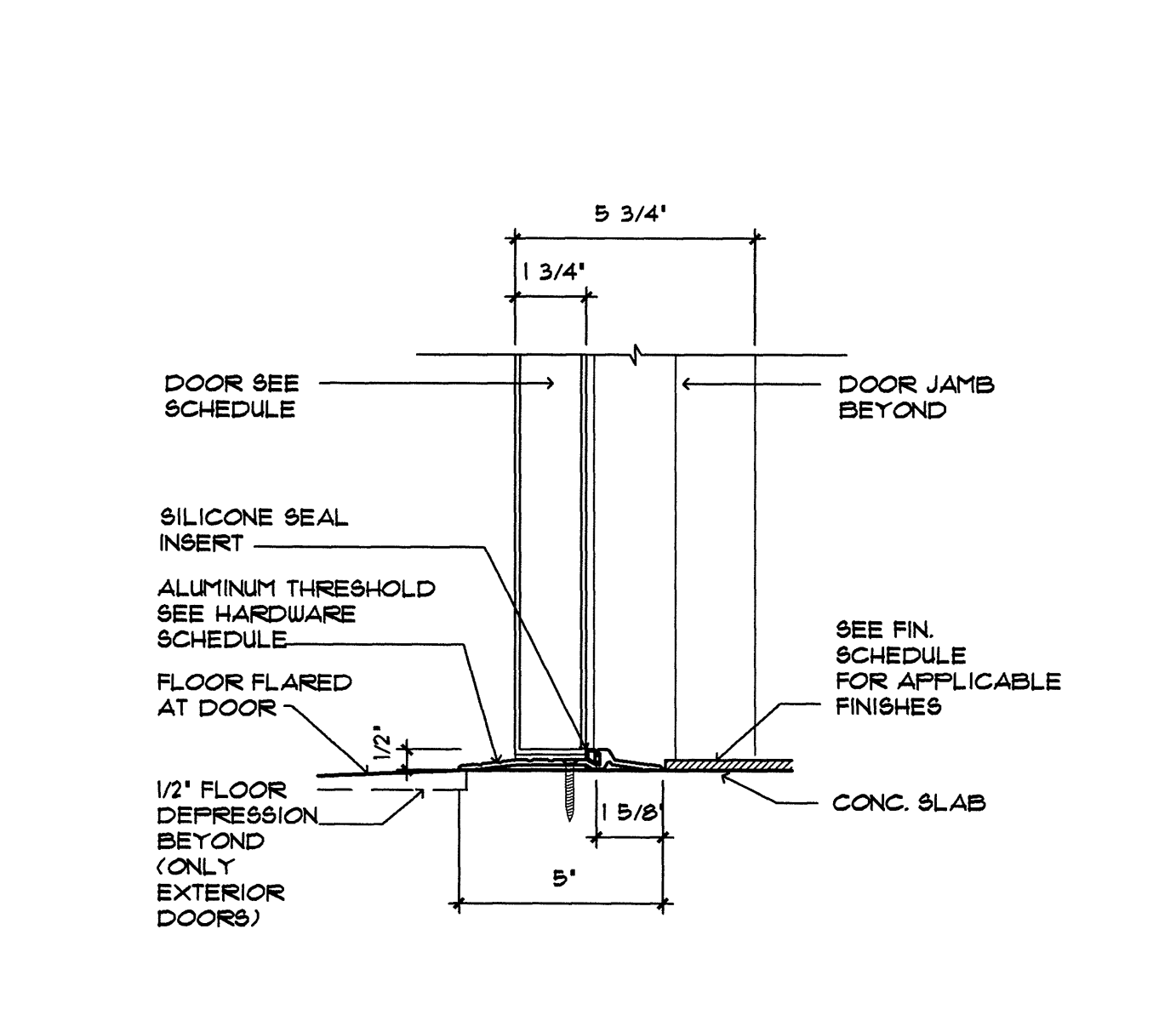
**6**  
A604-T  
**DOOR JAMB DETAIL**  
SCALE: 3' = 1'-0"



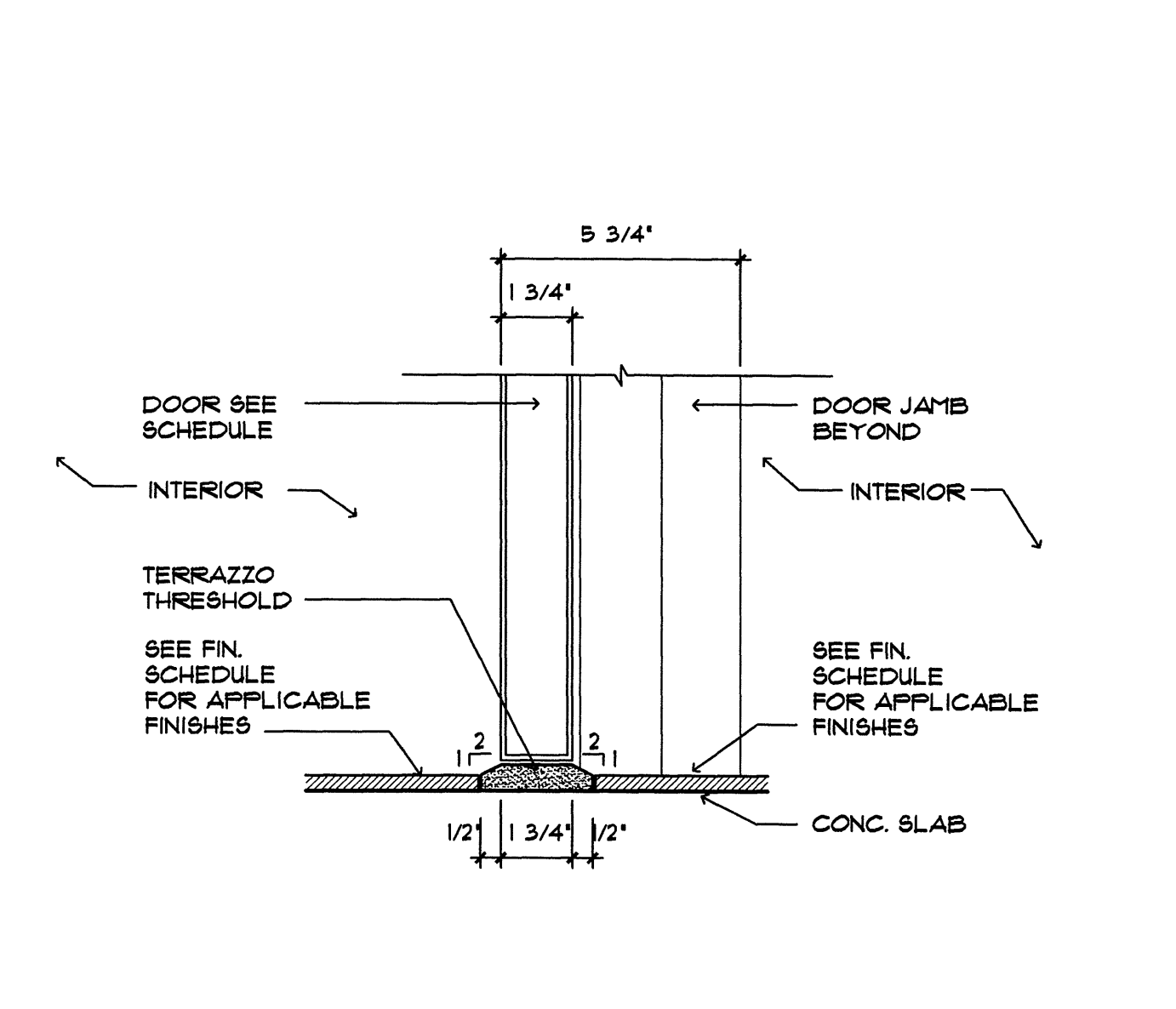
**7**  
A604-T  
**DOOR JAMB DETAIL**  
SCALE: 3' = 1'-0"



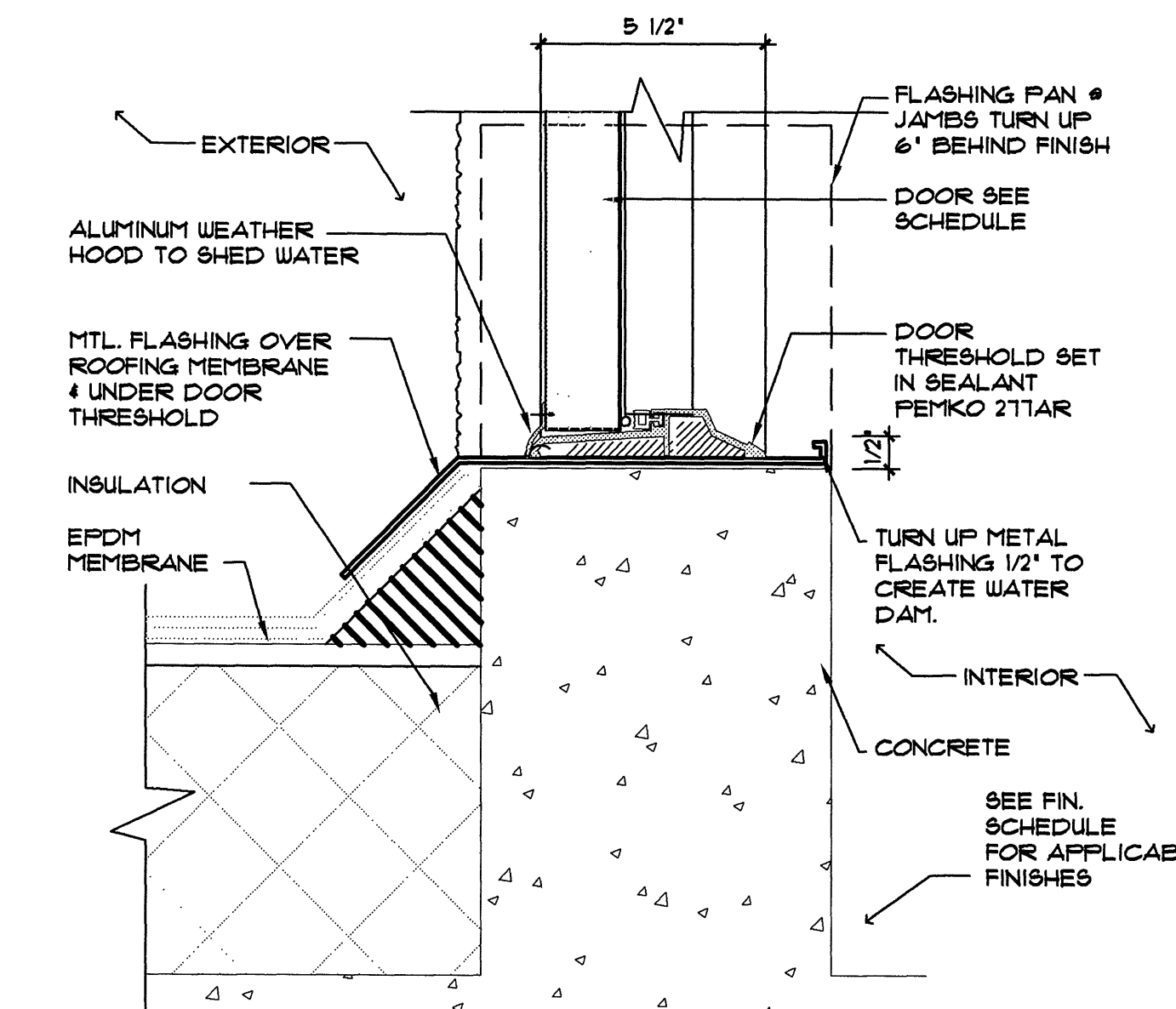
**8**  
A604-T  
**DOOR JAMB DETAIL**  
SCALE: 3' = 1'-0"



**9**  
A604-T  
**DOOR SILL DETAIL**  
SCALE: 3' = 1'-0"



**10**  
A604-T  
**DOOR SILL DETAIL**  
SCALE: 3' = 1'-0"

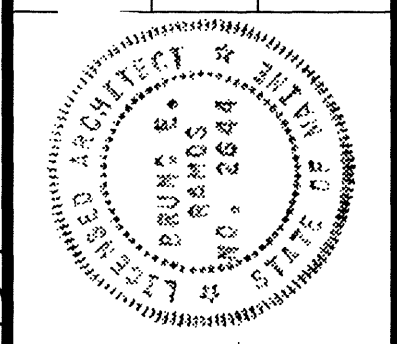


**11**  
A604-T  
**DOOR SILL DETAIL**  
SCALE: 3' = 1'-0"

IN ASSOCIATION WITH:  
BEA INTERNATIONAL  
CONSULTING ENGINEERS  
PERIODICAL CONTRACTORS  
WINTON SCOTT ARCHITECTS  
HALEY & ALDRICH



STATE OF MAINE  
DEPARTMENT OF TRANSPORTATION  
PROJECT NUMBER 009215.00  
PIN  
009215.00



SIGNATURE  
DATE  
P. LICENCE NUMBER  
ARC 2644  
DATE  
10/8/2004

PROJ. MANAGER	PAUL POTTLE	DATE
DESIGN-DETAILED		
CHECKED-REVIEWED		
DESIGN-DETAILED02		
DESIGN-DETAILED03		
REVISIONS 1	ADDED DETAIL	4/21/05
REVISIONS 2		
REVISIONS 3		
REVISIONS 4		
FIELD CHANGES		

CITY OF PORTLAND  
OCEAN GATEWAY PHASE 1  
DOOR DETAILS

A604-T