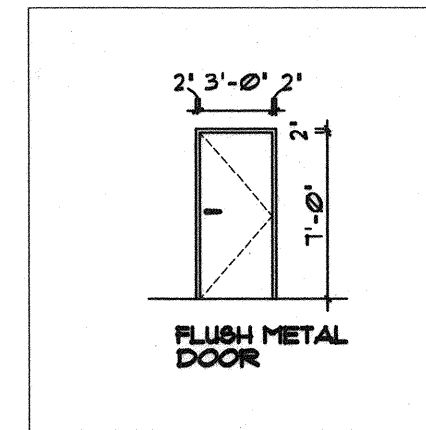


DOOR SCHEDULE

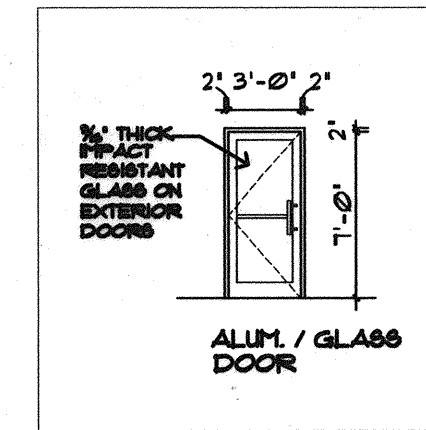
NUMBER	SIZE			DOOR		FRAME				REMARKS
	WIDTH	HEIGHT	THK	MATERIAL	TYPE	MTL.	HEAD	JAMB	SILL	
FIRST FLOOR										
100	(2) 3'-0"	7'-0"	1 3/4"	ALUM/GLASS	4	ALUM.	3 10/24/17	4 10/24/17	5 10/24/17	P.H.W.
101	(2) 3'-0"	7'-0"	1 3/4"	ALUM/GLASS	4	ALUM.	3 10/24/17	4 10/24/17	5 10/24/17	P.H.W.
102	3'-0"	7'-0"	1 3/4"	METAL	1	H.M.	1 10/24/17	5 10/24/17	5 10/24/17	1 1/2 HR LABEL FR
103	3'-0"	7'-0"	1 3/4"	WOOD	3	H.M.	3 10/24/17	7 10/24/17	10 10/24/17	IMPACT RESISTANT
104	3'-0"	7'-0"	1 3/4"	WOOD	3	H.M.	2 10/24/17	6 10/24/17	10 10/24/17	IMPACT RESISTANT
105	(2) 3'-0"	7'-0"	1 3/4"	WOOD	6	H.M.	2 10/24/17	6 10/24/17	10 10/24/17	IMPACT RESISTANT
106	3'-0"	7'-0"	1 3/4"	WOOD	3	H.M.	2 10/24/17	6 10/24/17	10 10/24/17	IMPACT RESISTANT (*)
107	3'-0"	7'-0"	1 3/4"	WOOD	3	H.M.	2 10/24/17	6 10/24/17	10 10/24/17	IMPACT RESISTANT
108	3'-0"	7'-0"	1 3/4"	WOOD	3	H.M.	2 10/24/17	6 10/24/17	10 10/24/17	IMPACT RESISTANT
109	3'-0"	7'-0"	1 3/4"	WOOD	3	H.M.	2 10/24/17	6 10/24/17	10 10/24/17	IMPACT RESISTANT
110	2'-0"	7'-0"	1 3/4"	WOOD	5	H.M.	2 10/24/17	6 10/24/17	10 10/24/17	IMPACT RESISTANT
111	3'-0"	7'-0"	1 3/4"	WOOD	3	H.M.	2 10/24/17	6 10/24/17	10 10/24/17	IMPACT RESISTANT
112	3'-0"	7'-0"	1 3/4"	WOOD	3	H.M.	2 10/24/17	6 10/24/17	10 10/24/17	IMPACT RESISTANT (*)
113	3'-0"	7'-0"	1 3/4"	ALUM/GLASS	2	H.M.	1 10/24/17	5 10/24/17	5 10/24/17	IMPACT RESISTANT GLASS
114	3'-0"	7'-0"	1 3/4"	WOOD	3	H.M.	2 10/24/17	6 10/24/17	10 10/24/17	IMPACT RESISTANT
115	3'-0"	7'-0"	1 3/4"	WOOD	3	H.M.	2 10/24/17	6 10/24/17	10 10/24/17	IMPACT RESISTANT
116	6'-0"	7'-0"	1 3/4"	WOOD	3	H.M.	2 10/24/17	6 10/24/17	10 10/24/17	IMPACT RESISTANT
117	6'-0"	7'-0"	--	WOOD	3	H.M.	2 10/24/17	6 10/24/17	10 10/24/17	IMPACT RESISTANT
118	3'-0"	7'-0"	1 3/4"	WOOD	3	H.M.	2 10/24/17	6 10/24/17	10 10/24/17	IMPACT RESISTANT
119	3'-0"	7'-0"	1 3/4"	WOOD	3	H.M.	2 10/24/17	6 10/24/17	10 10/24/17	IMPACT RESISTANT
120	3'-0"	7'-0"	1 3/4"	ALUM/GLASS	4	H.M.	1 10/24/17	5 10/24/17	5 10/24/17	P.H.W.
121	3'-0"	7'-0"	1 3/4"	METAL	2	H.M.	1 10/24/17	5 10/24/17	5 10/24/17	IMPACT RESISTANT GLASS
122	3'-0"	7'-0"	1 3/4"	METAL	1	H.M.	1 10/24/17	5 10/24/17	5 10/24/17	1 1/2 HR LABEL FR
123	3'-0"	7'-0"	1 3/4"	METAL	1	H.M.	1 10/24/17	5 10/24/17	5 10/24/17	1 1/2 HR LABEL FR
124	3'-0"	7'-0"	1 3/4"	METAL	1	H.M.	1 10/24/17	5 10/24/17	5 10/24/17	1 1/2 HR LABEL FR
125	(2) 3'-0"	7'-0"	1 3/4"	METAL	5	H.M.	1 10/24/17	5 10/24/17	5 10/24/17	P.H.W. - 1 1/2 HR LABEL FR
SECOND FLOOR										
200	(2) 3'-0"	7'-0"	1 3/4"	ALUM/GLASS	4	H.M.				IMPACT RESISTANT GLASS
201	(2) 3'-0"	7'-0"	1 3/4"	ALUM/GLASS	4	H.M.				IMPACT RESISTANT GLASS
202	3'-0"	7'-0"	1 3/4"	WOOD	3	H.M.				IMPACT RESISTANT
203	3'-0"	7'-0"	1 3/4"	WOOD	3	H.M.				IMPACT RESISTANT
204	3'-0"	7'-0"	1 3/4"	METAL	1	H.M.				1 1/2 HR LABEL FR
205	3'-0"	7'-0"	1 3/4"	WOOD	3	H.M.				IMPACT RESISTANT
206	3'-0"	7'-0"	1 3/4"	METAL	1	H.M.	3 10/24/17	7 10/24/17		1 1/2 HR LABEL FR
207	3'-0"	7'-0"	1 3/4"	ALUM/GLASS	2	H.M.	4 10/24/17	5 10/24/17	5 10/24/17	IMPACT RESISTANT GLASS
208	3'-0"	7'-0"	1 3/4"	ALUM/GLASS	2	H.M.	4 10/24/17	5 10/24/17	5 10/24/17	IMPACT RESISTANT GLASS
209	3'-0"	7'-0"	1 3/4"	ALUM/GLASS	2	H.M.	4 10/24/17	5 10/24/17	5 10/24/17	IMPACT RESISTANT GLASS
210	3'-0"	7'-0"	1 3/4"	ALUM/GLASS	2	H.M.	4 10/24/17	5 10/24/17	5 10/24/17	IMPACT RESISTANT GLASS
211	(2) 3'-0"	7'-0"	1 3/4"	ALUM/GLASS	4	H.M.			5 10/24/17	IMPACT RESISTANT GLASS
212	3'-0"	7'-0"	1 3/4"	METAL	5	H.M.			5 10/24/17	1 1/2 HR LABEL FR
213	3'-0"	7'-0"	1 3/4"	WOOD	3	H.M.	2 10/24/17	6 10/24/17	10 10/24/17	IMPACT RESISTANT
214	3'-0"	7'-0"	1 3/4"	METAL	1	H.M.			10 10/24/17	IMPACT RESISTANT
215	3'-0"	7'-0"	1 3/4"	METAL	1	H.M.	2 10/24/17	6 10/24/17	10 10/24/17	1 1/2 HR LABEL FR
THIRD FLOOR										
300	3'-0"	7'-0"	1 3/4"	METAL	1	H.M.			10 10/24/17	IMPACT RESISTANT

DOOR ELEVATION

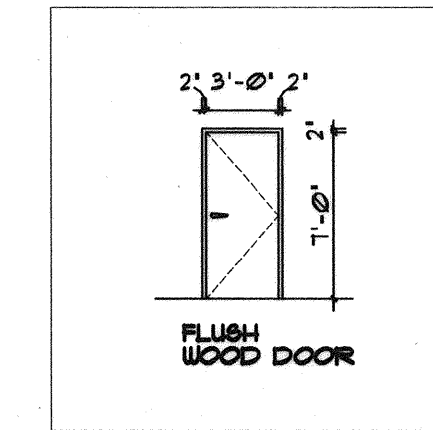
SCALE: 1/8" = 1'



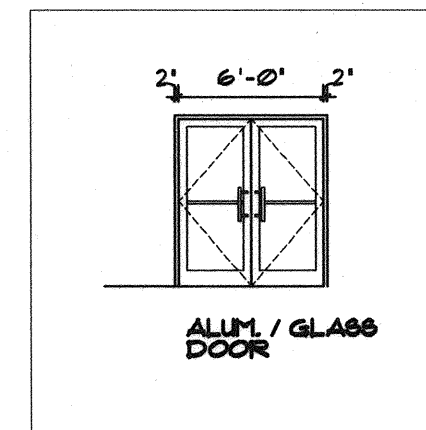
DOOR TYPE No. 1
SCALE: 1/8" = 1'-0"



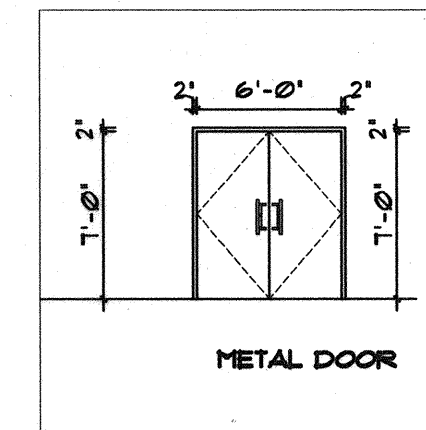
DOOR TYPE No. 2
SCALE: 1/8" = 1'-0"



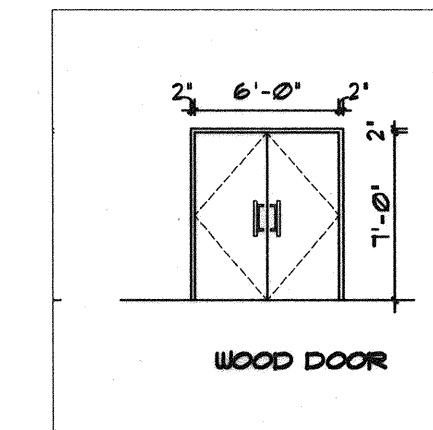
DOOR TYPE No. 3
SCALE: 1/8" = 1'-0"



DOOR TYPE No. 4
SCALE: 1/8" = 1'-0"



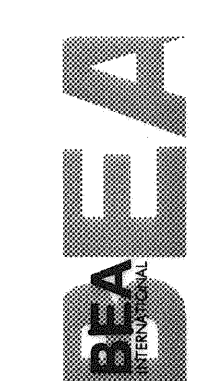
DOOR TYPE No. 5
SCALE: 1/8" = 1'-0"



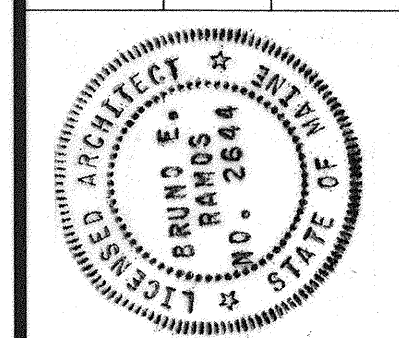
DOOR TYPE No. 6
SCALE: 1/8" = 1'-0"

NOTES:
* 1. UNDERCUT MIN. 3"

IN ASSOCIATION WITH:
GORRILL-PALMER CONSULTING ENGINEERS
1000 MARKET STREET, SUITE 200
WINNONSQUAM, NH 03091
WINNONSQUAM ARCHITECTS
HALEY & ALDRICH



STATE OF MAINE
DEPARTMENT OF TRANSPORTATION
PROJECT NUMBER 009215.00
PIN
009215.00



PROJ. MANAGER	PAUL POTTLE
DESIGN-DETAILED	
CHECKED-REVIEWED	
DESIGN2-DETAILED2	
DESIGN3-DETAILED3	
REVISIONS 1	
REVISIONS 2	
REVISIONS 3	
REVISIONS 4	
FIELD CHANGES	

CITY OF PORTLAND
OCEAN GATEWAY PHASE 1
DOOR SCHEDULE

A603-T
152 OF 288