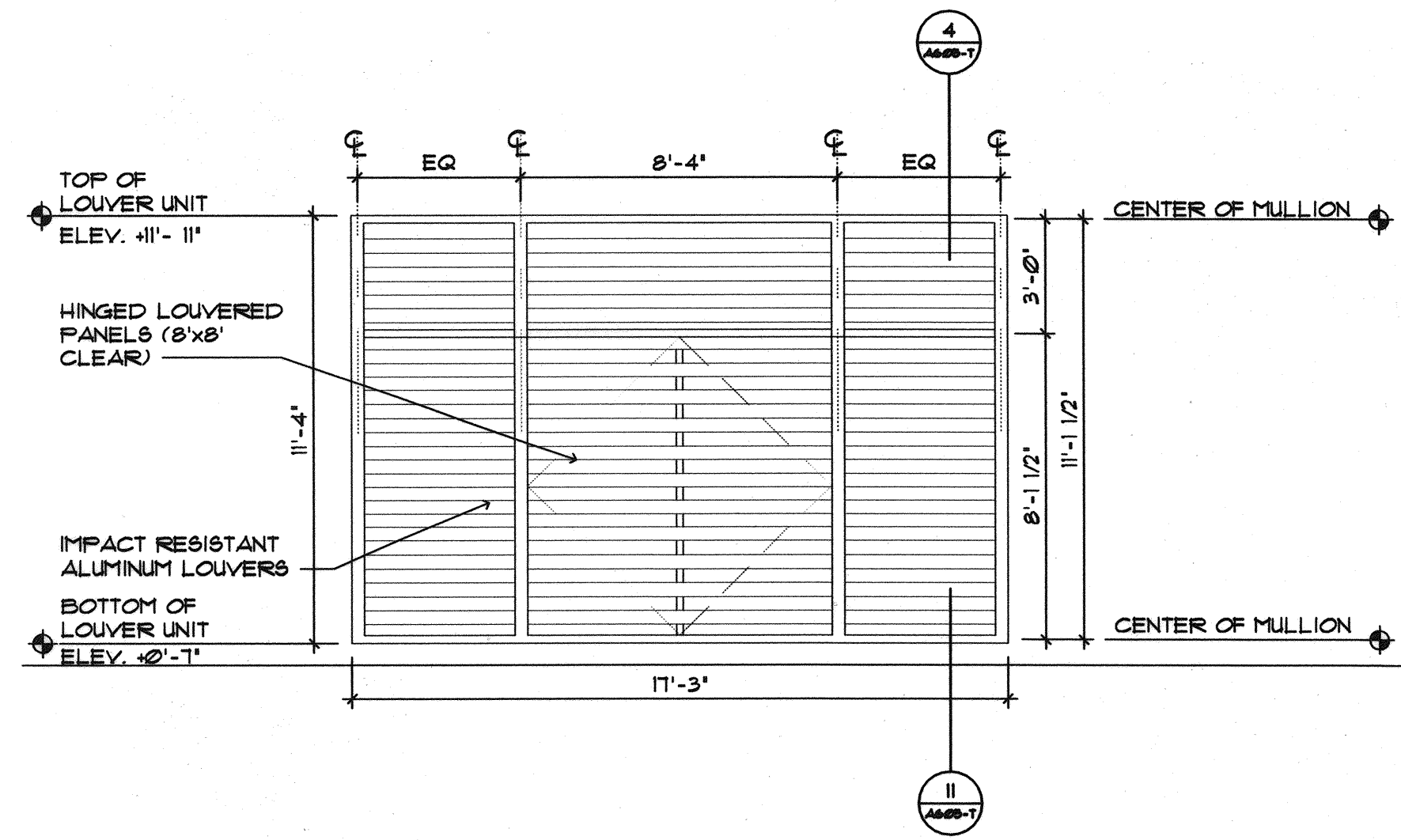
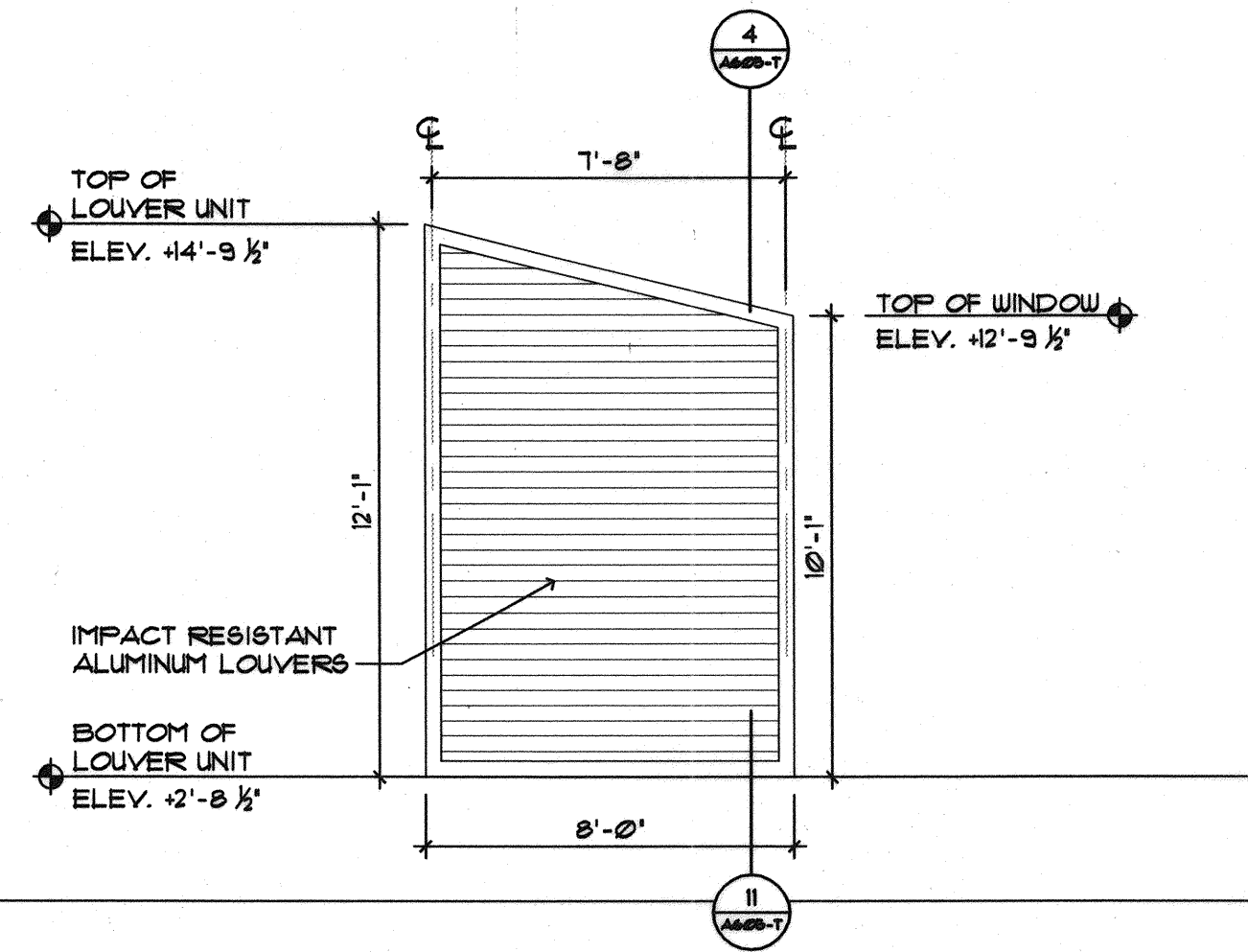


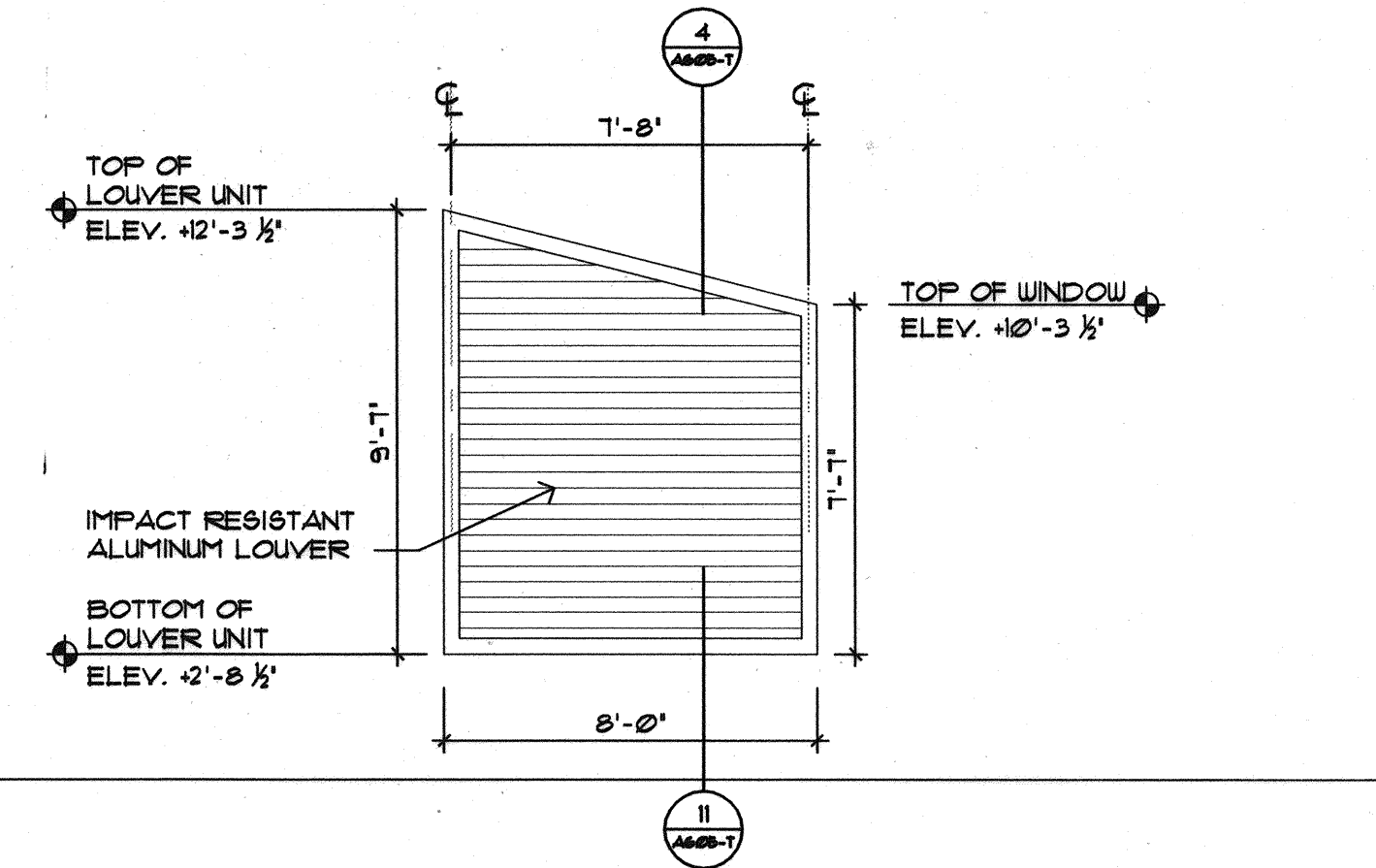
Filename: \\Server1\projects\02-0818_Maine_Int_Ferry_Terminal\PHASE_1\Architecture\FINAL_CONSTRUCTION_DOCUMENTS\TERMINAL_BUILDING\20343802-T-A308.dwg, Oct 07, 2004 - 11:52am



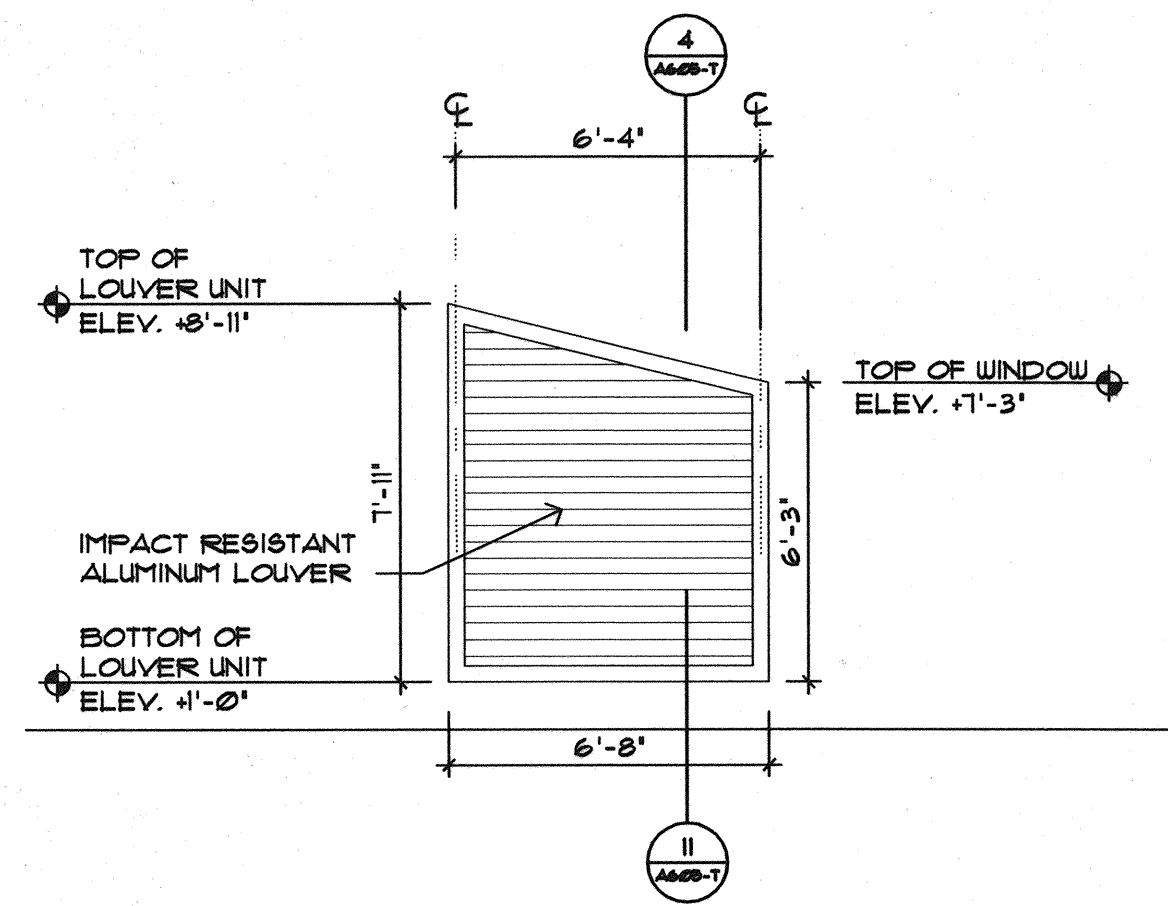
LOUVER UNIT TYPE "K"
SCALE: 1/4" = 1'-0" TOTAL OF 1



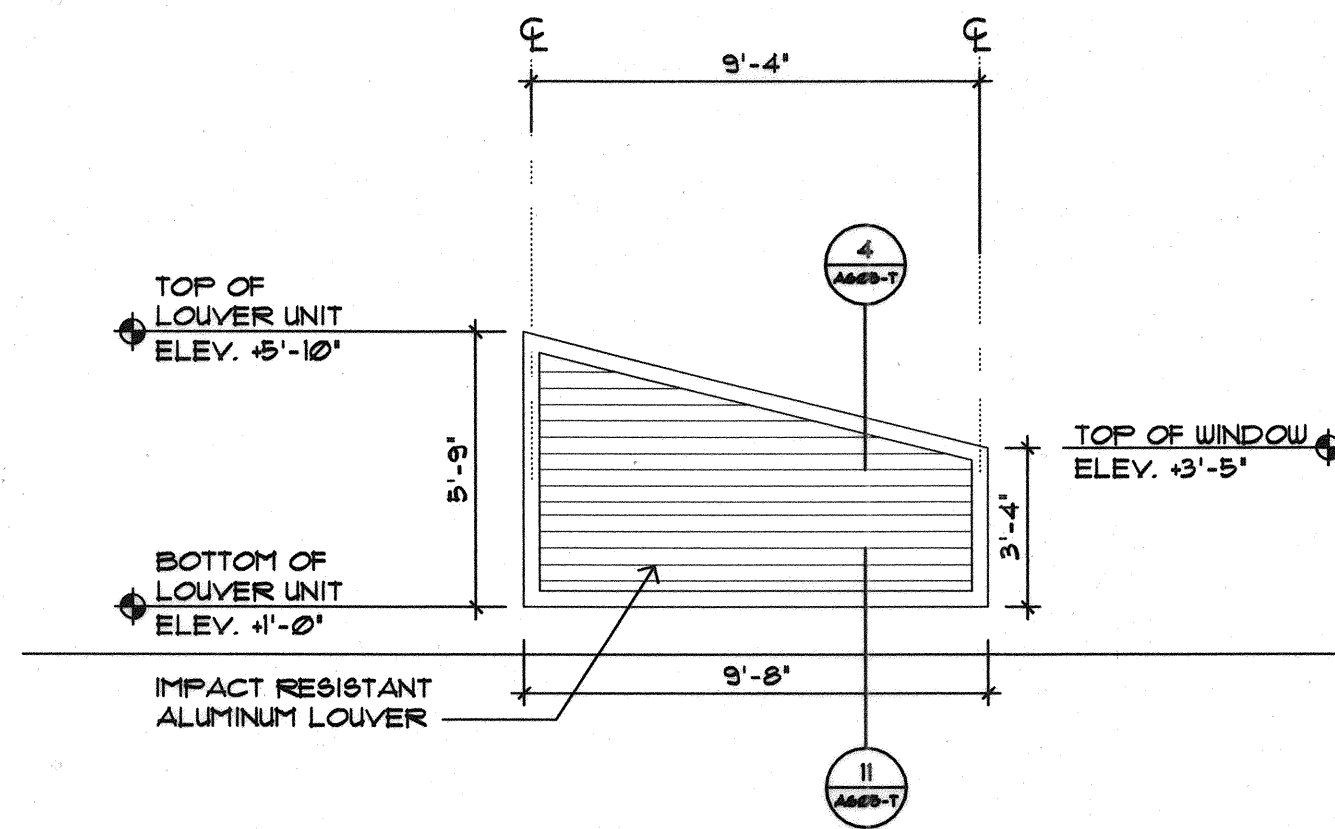
LOUVER UNIT TYPE "L"
SCALE: 1/4" = 1'-0" TOTAL OF 1



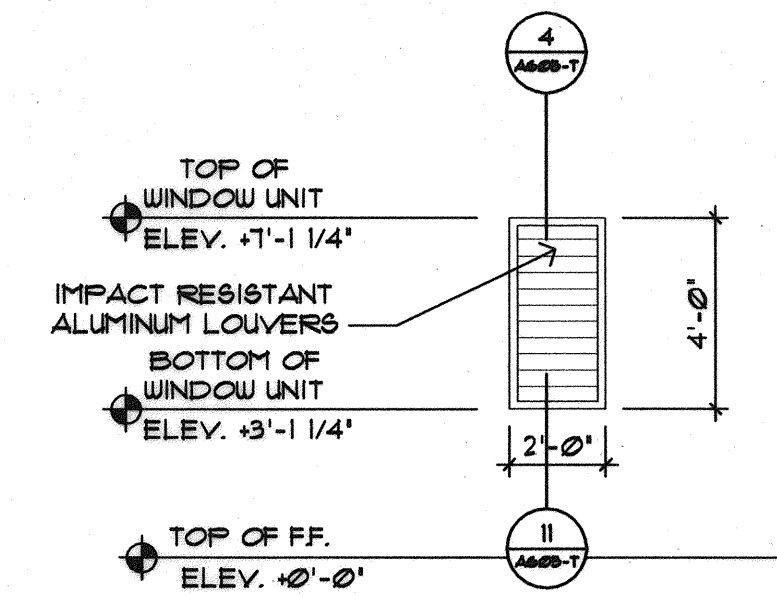
LOUVER UNIT TYPE "M"
SCALE: 1/4" = 1'-0" TOTAL OF 1



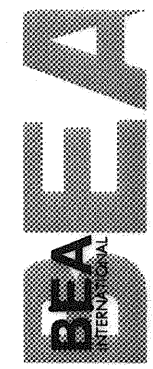
LOUVER UNIT TYPE "N"
SCALE: 1/4" = 1'-0" TOTAL OF 1



LOUVER UNIT TYPE "O"
SCALE: 1/4" = 1'-0" TOTAL OF 1

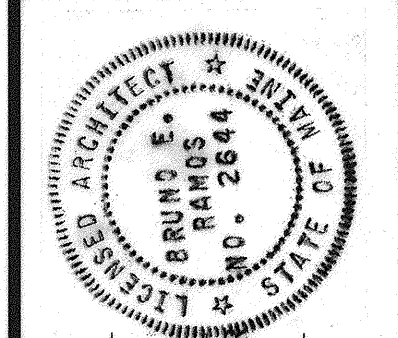


LOUVER UNIT TYPE "P"
SCALE: 1/4" = 1'-0" TOTAL OF 2



IN ASSOCIATION WITH:
PERKINS+WILL CONSULTING ENGINEERS
PERKINS+WILL ARCHITECTS
WINTON SCOTT ARCHITECTS
HALEY & ALDRICH

STATE OF MAINE
DEPARTMENT OF TRANSPORTATION
PROJECT NUMBER 009215.00
PIN
009215.00



SIGNATURE
P. LICENCE NUMBER
ARC 2644
DATE
10/8/2004

PROJ. MANAGER	PAUL POTTLE
DESIGN-DETAILED	
CHECKED-REVIEWED	
DESIGN-2-DETAILED2	
DESIGN-3-DETAILED3	
REVISIONS 1	
REVISIONS 2	
REVISIONS 3	
REVISIONS 4	
FIELD CHANGES	

CITY OF PORTLAND
OCEAN GATEWAY PHASE 1
WINDOW SYSTEM ELEVATIONS

A308-T