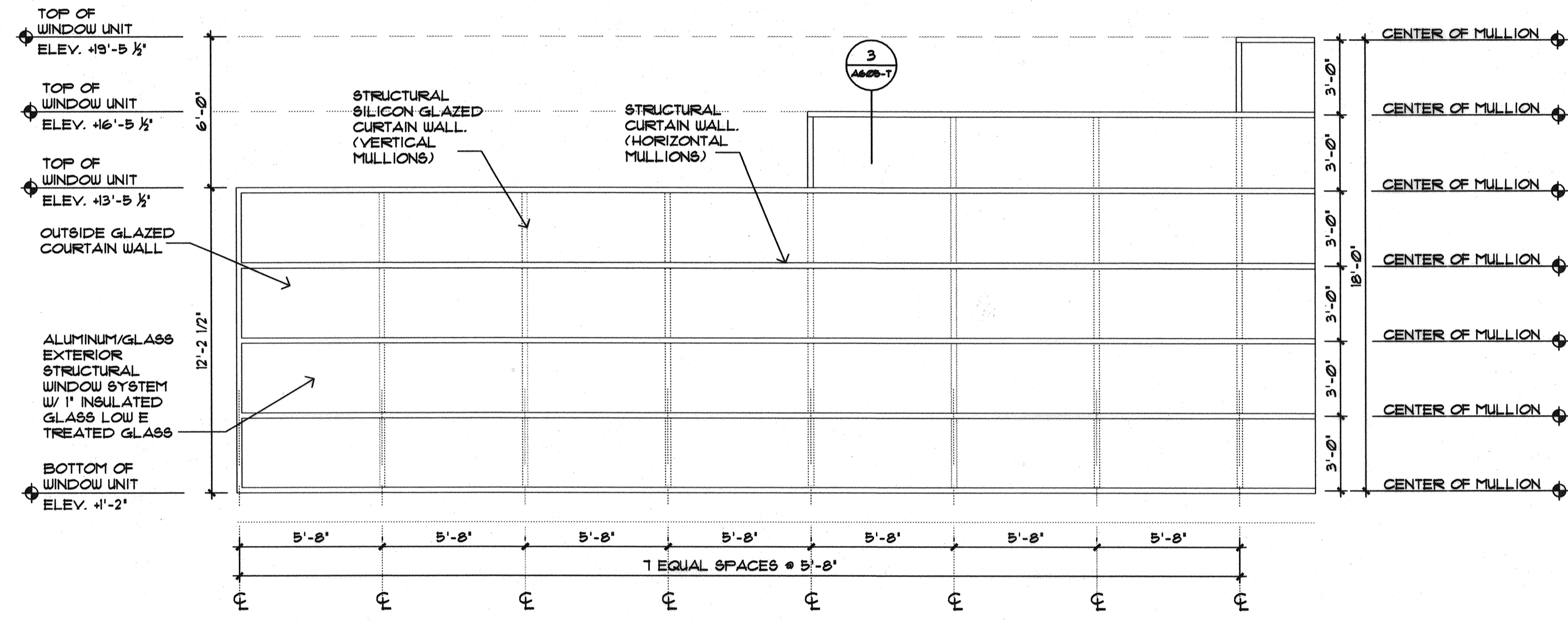
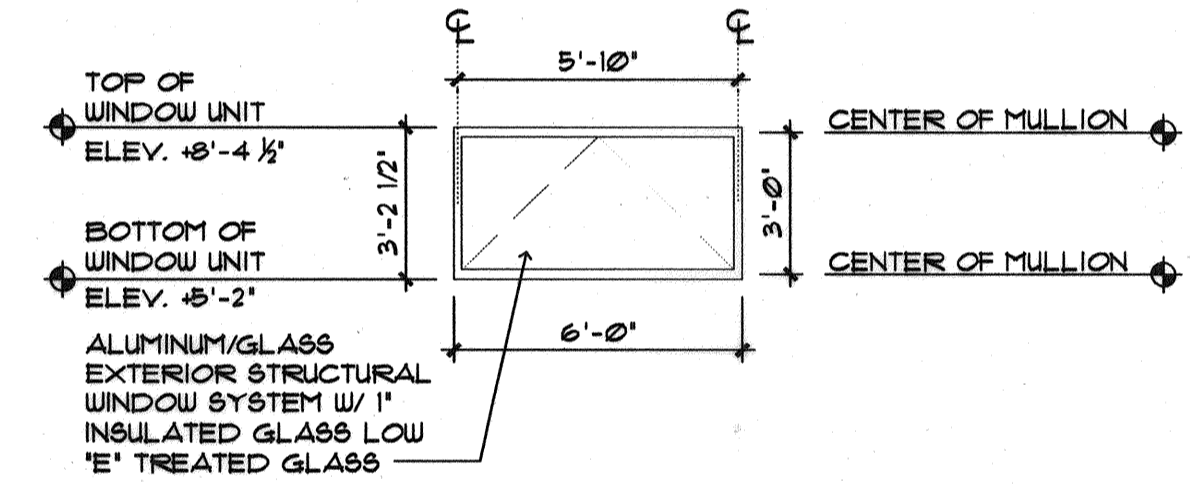


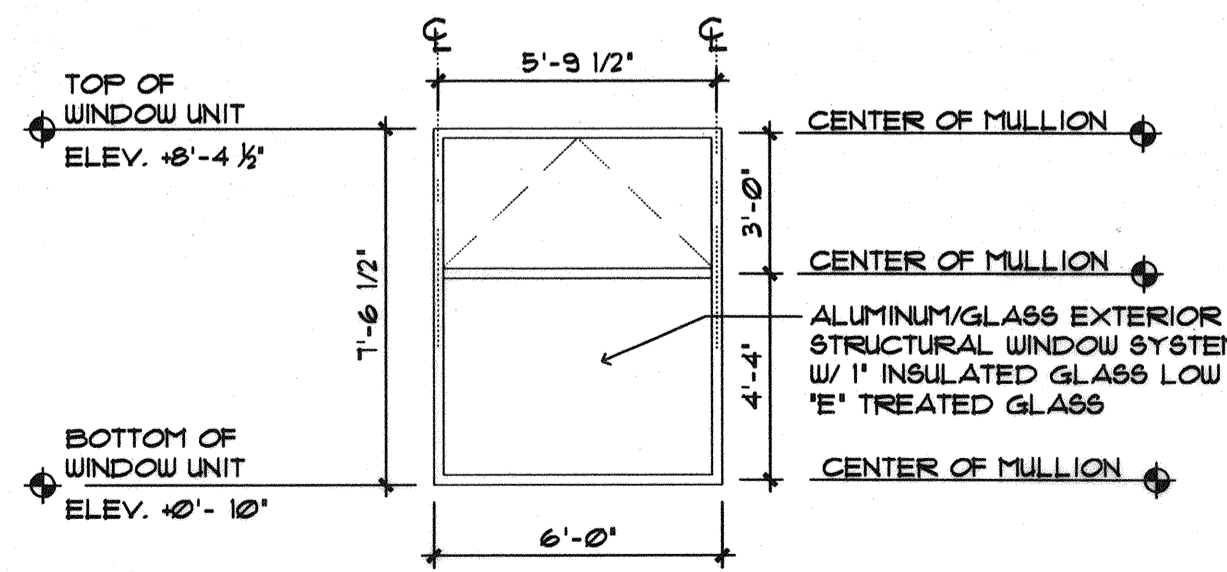
WINDOW UNIT TYPE "H"
SCALE: 1/8" = 1'-0"
TOTAL OF 1



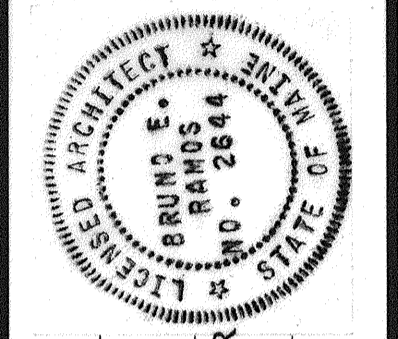
WINDOW UNIT TYPE "G"
SCALE: 1/4" = 1'-0"
TOTAL OF 1



WINDOW UNIT TYPE "I"
SCALE: 1/4" = 1'-0"
TOTAL OF 1



WINDOW UNIT TYPE "J"
SCALE: 1/4" = 1'-0"
TOTAL OF 1



PROJ. MANAGER	PAUL POTTLE	BY		DATE	
DESIGN-DETAILED		CHECKED-REVIEWED		SIGNATURE	
DESIGN-DETAILED		REVISIONS 1		P. LICENSE NUMBER	ARC 2844
REVISIONS 2		REVISIONS 3		DATE	10/8/2004
REVISIONS 4		FIELD CHANGES			