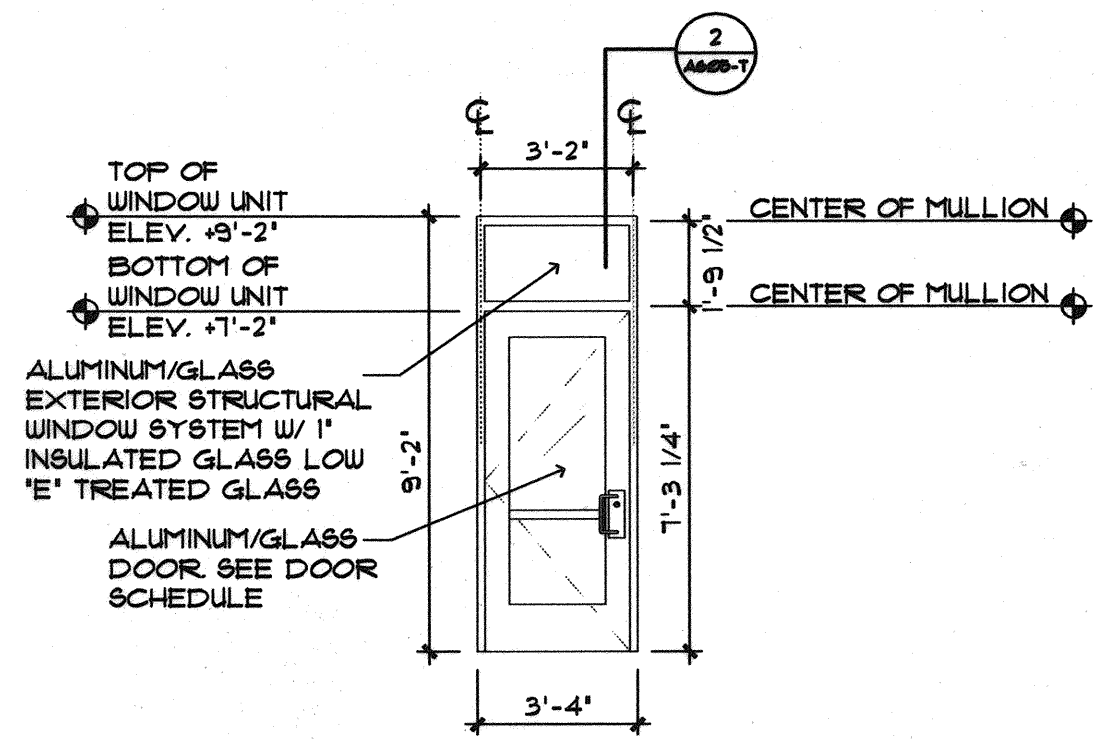
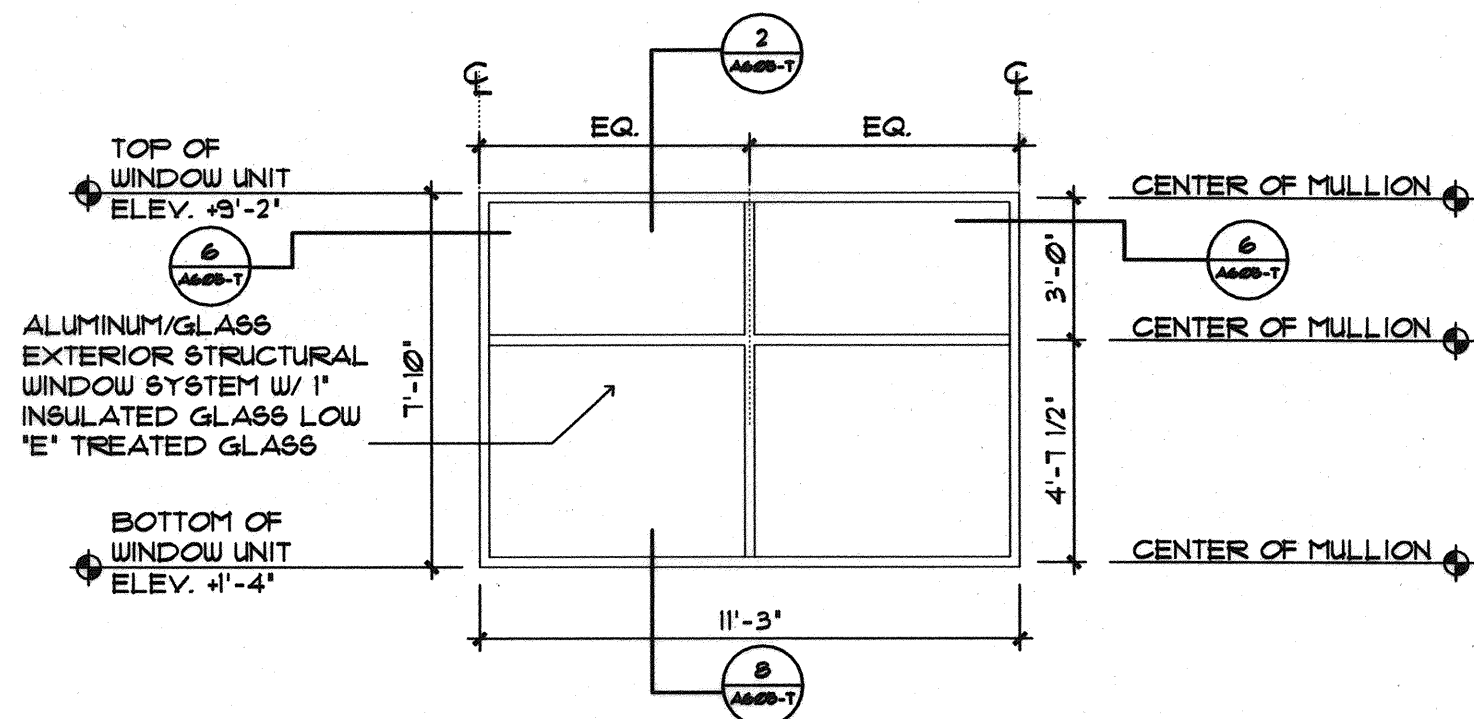


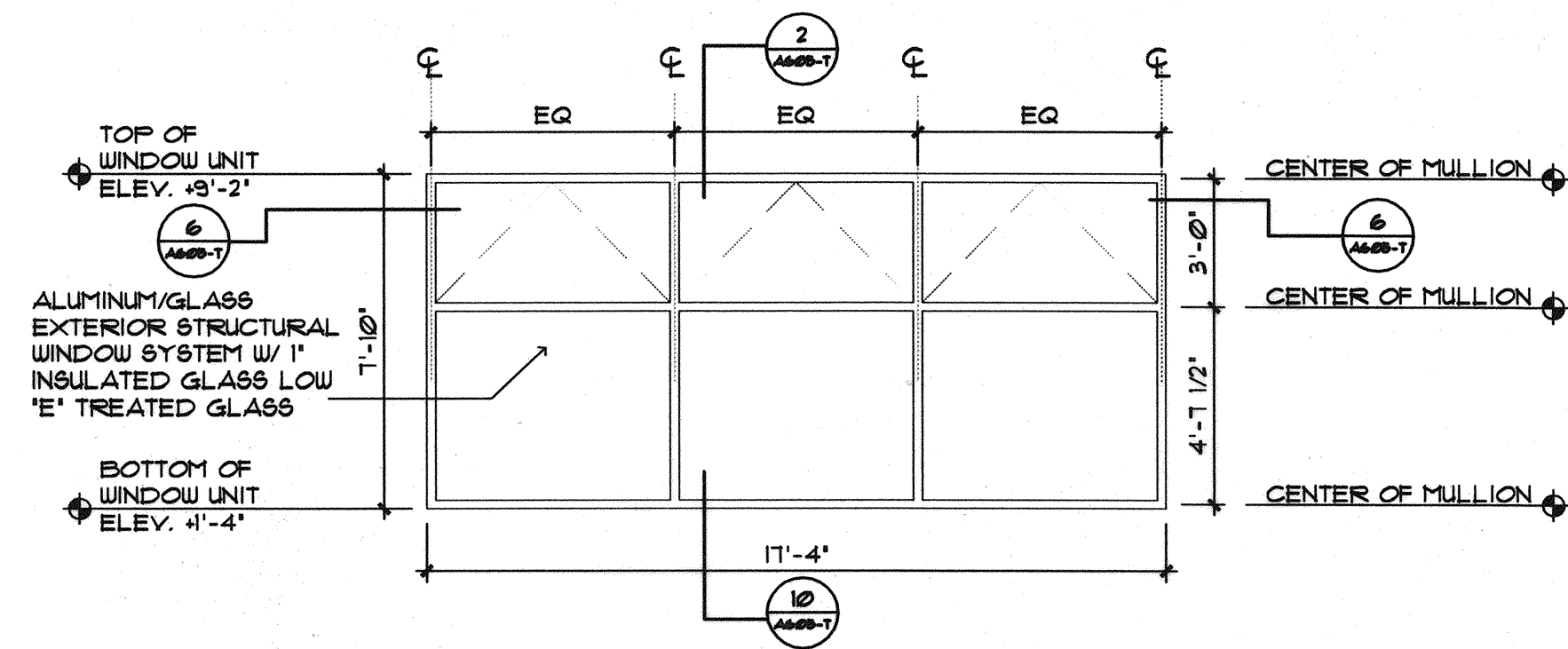
Filename: \\Server1\projects\02-0818_Maine Int. Ferry Terminal\PHASE 1\Architecture\FINAL CONSTRUCTION DOCUMENTS\TERMINAL BUILDING\20343802-T-A306.dwg, Oct 07, 2004 - 11:50am



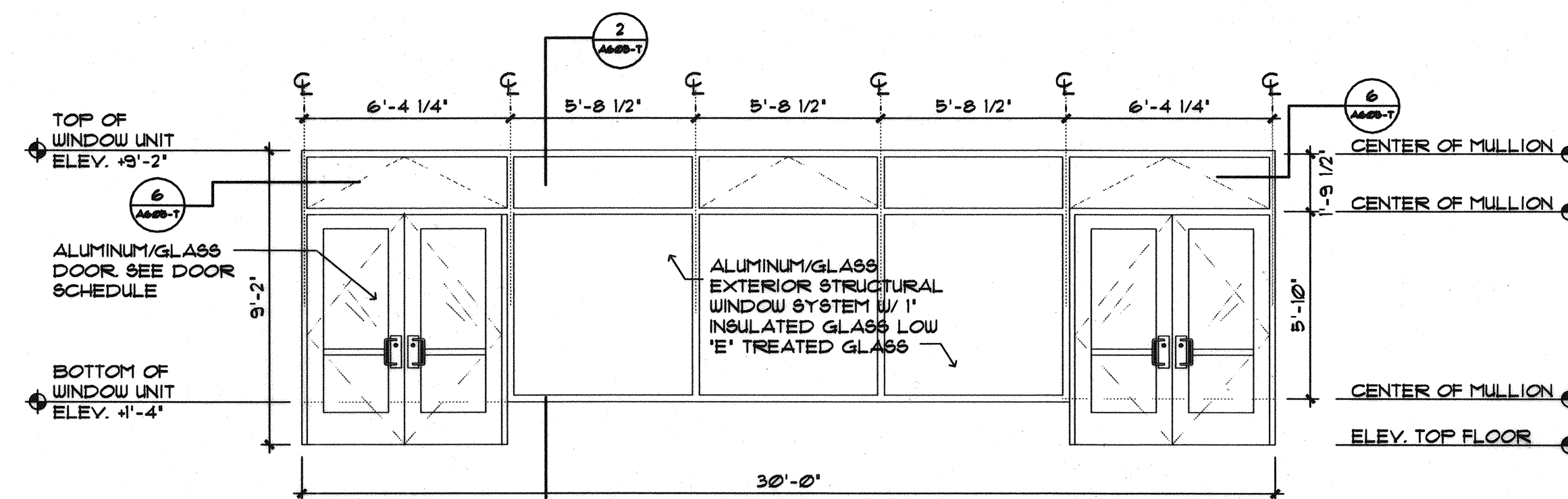
WINDOW UNIT TYPE "A"
SCALE: 1/4" = 1'-0" TOTAL OF 1



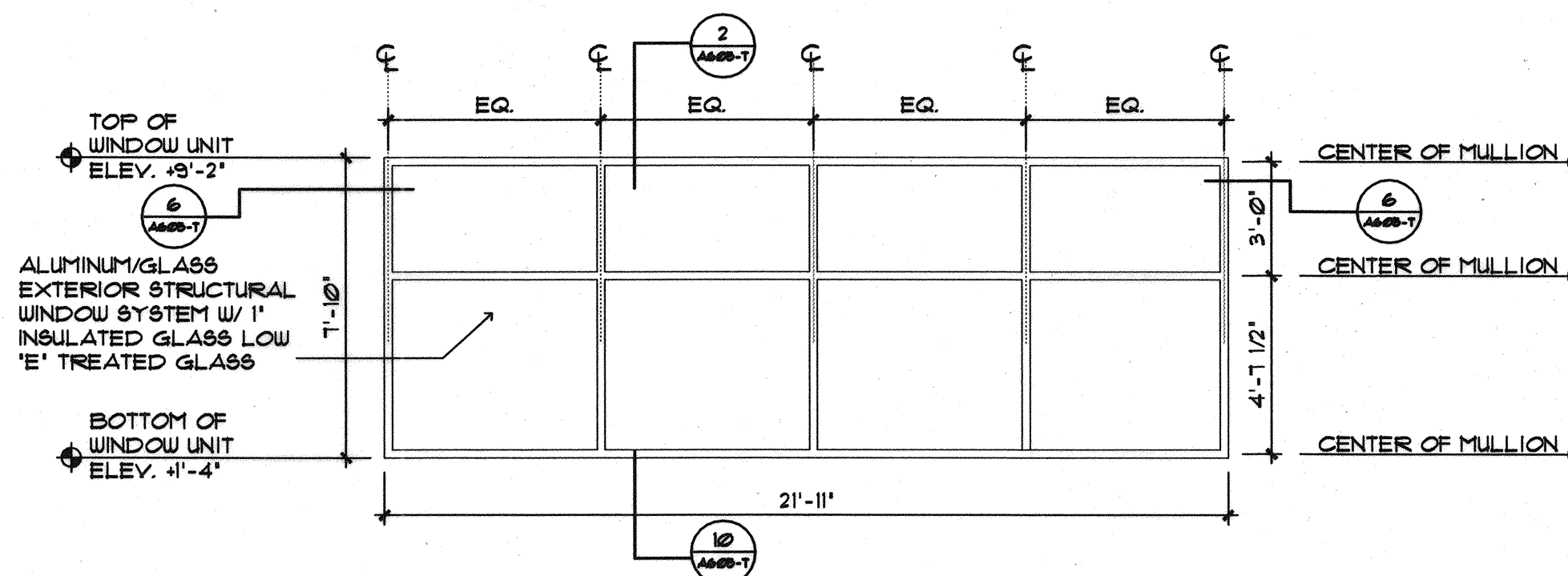
WINDOW UNIT TYPE "C"
SCALE: 1/4" = 1'-0" TOTAL OF 1



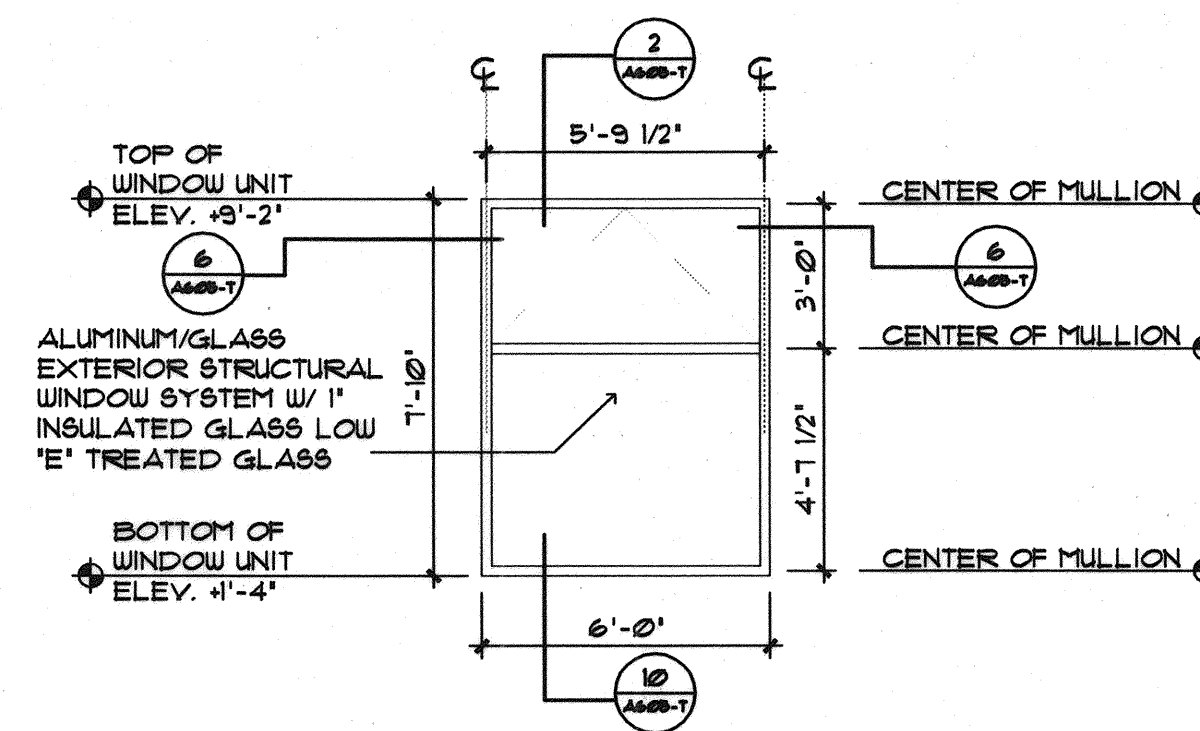
WINDOW UNIT TYPE "E"
SCALE: 1/4" = 1'-0" TOTAL OF 2



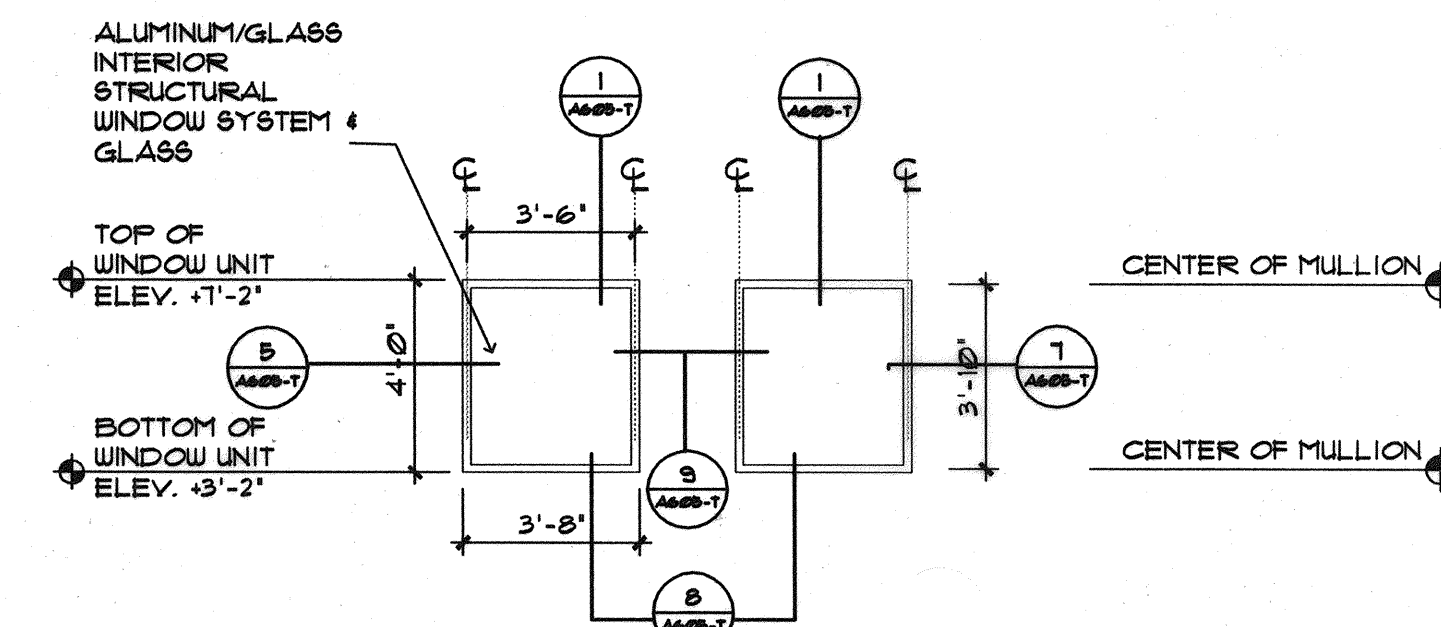
WINDOW UNIT TYPE "B"
SCALE: 1/4" = 1'-0" TOTAL OF 1



WINDOW UNIT TYPE "D"
SCALE: 1/4" = 1'-0" TOTAL OF 2

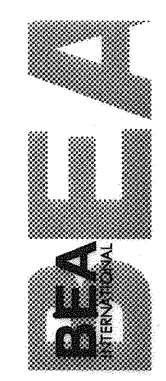


WINDOW UNIT TYPE "F"
SCALE: 1/4" = 1'-0" TOTAL OF 1

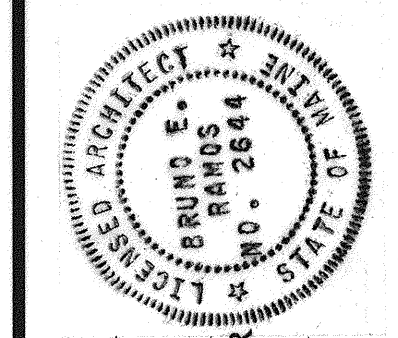


WINDOW UNIT TYPE "G"
SCALE: 1/4" = 1'-0" TOTAL OF 2

IN ASSOCIATION WITH:
GORRILL-PALMER CONSULTING ENGINEERS
WINTON SCOTT ARCHITECTS
HALEY & ALDRICH



STATE OF MAINE
DEPARTMENT OF TRANSPORTATION
PROJECT NUMBER 009215.00
PIN 009215.00



PROJ. MANAGER	PAUL POTTLE	DATE	
CHECKED-REVIEWED		BY	
DESIGN-DETAILED			
DESIGN-DETAILED			
REVISIONS 1			
REVISIONS 2			
REVISIONS 3			
REVISIONS 4			
FIELD CHANGES			

SIGNATURE: *[Signature]*
P. LICENCE NUMBER: ARC 2664
DATE: 10/8/2004

CITY OF PORTLAND
OCEAN GATEWAY PHASE 1
WINDOW SYSTEM ELEVATIONS

A306-T