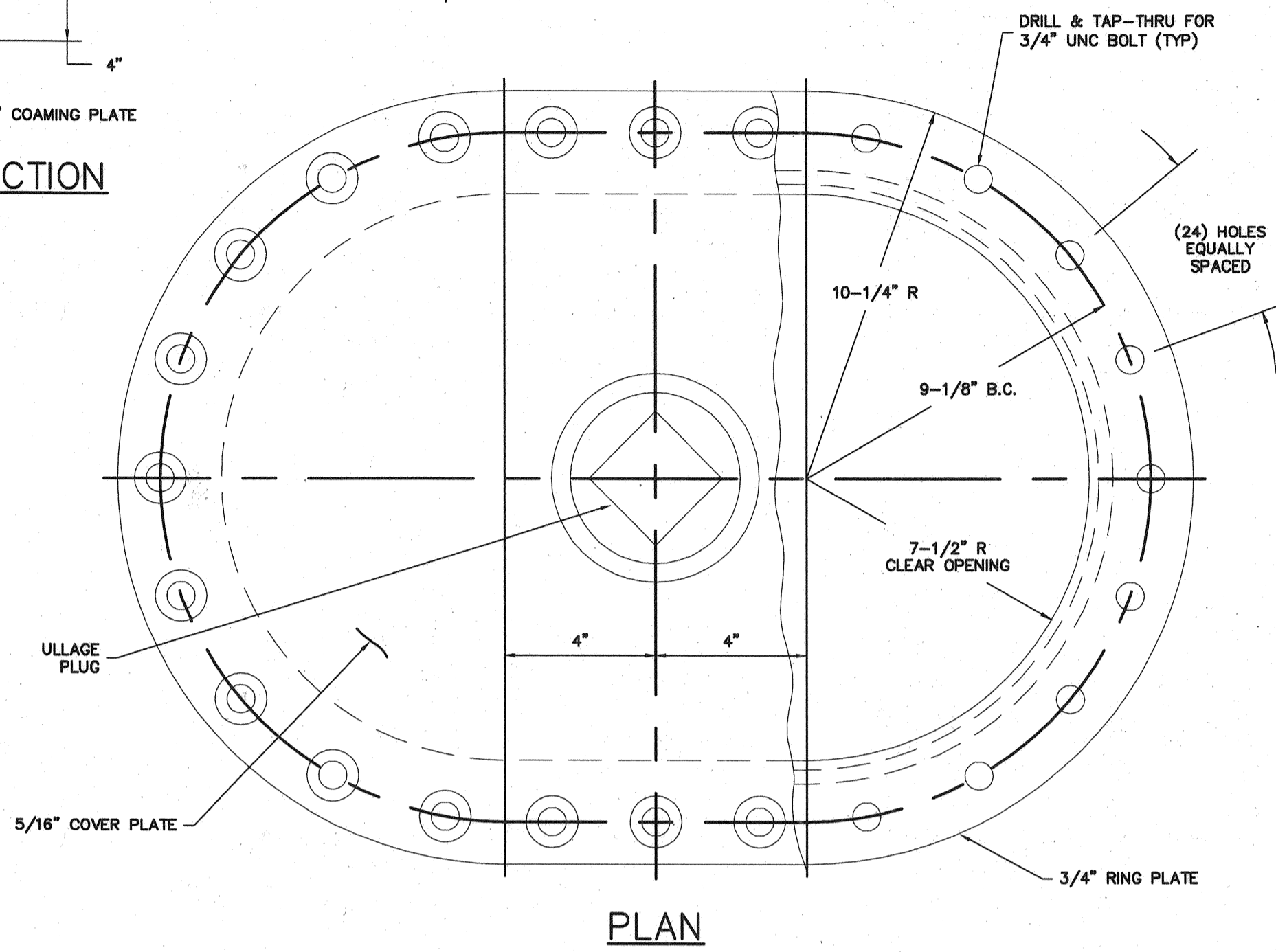
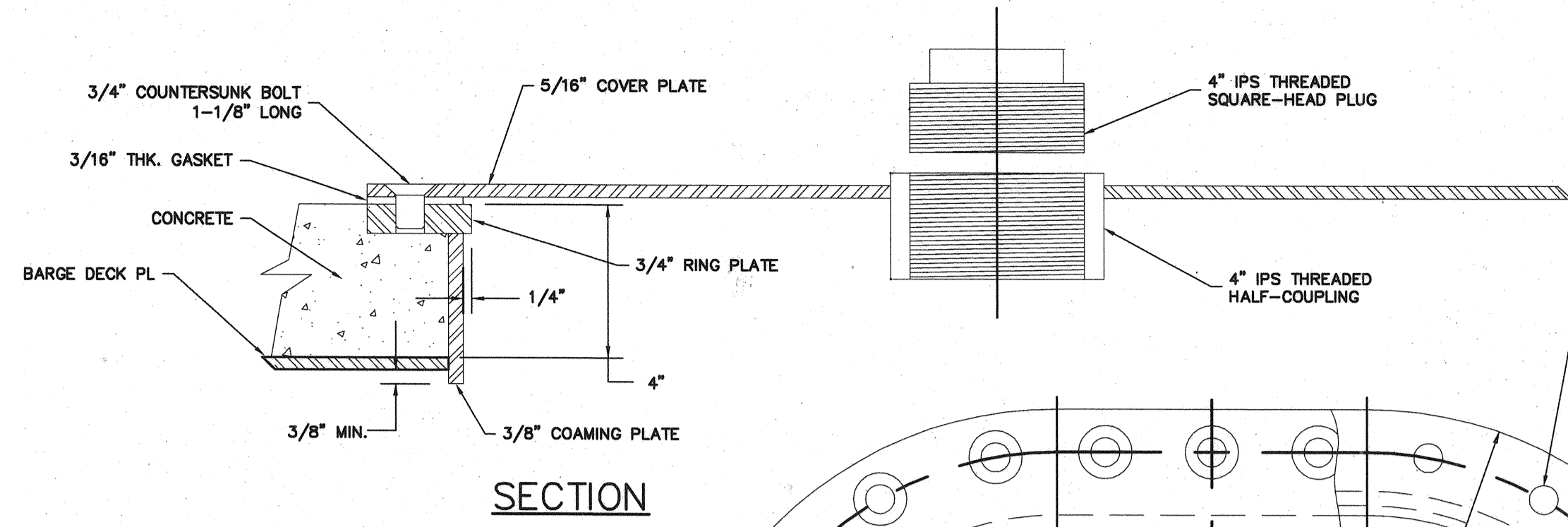
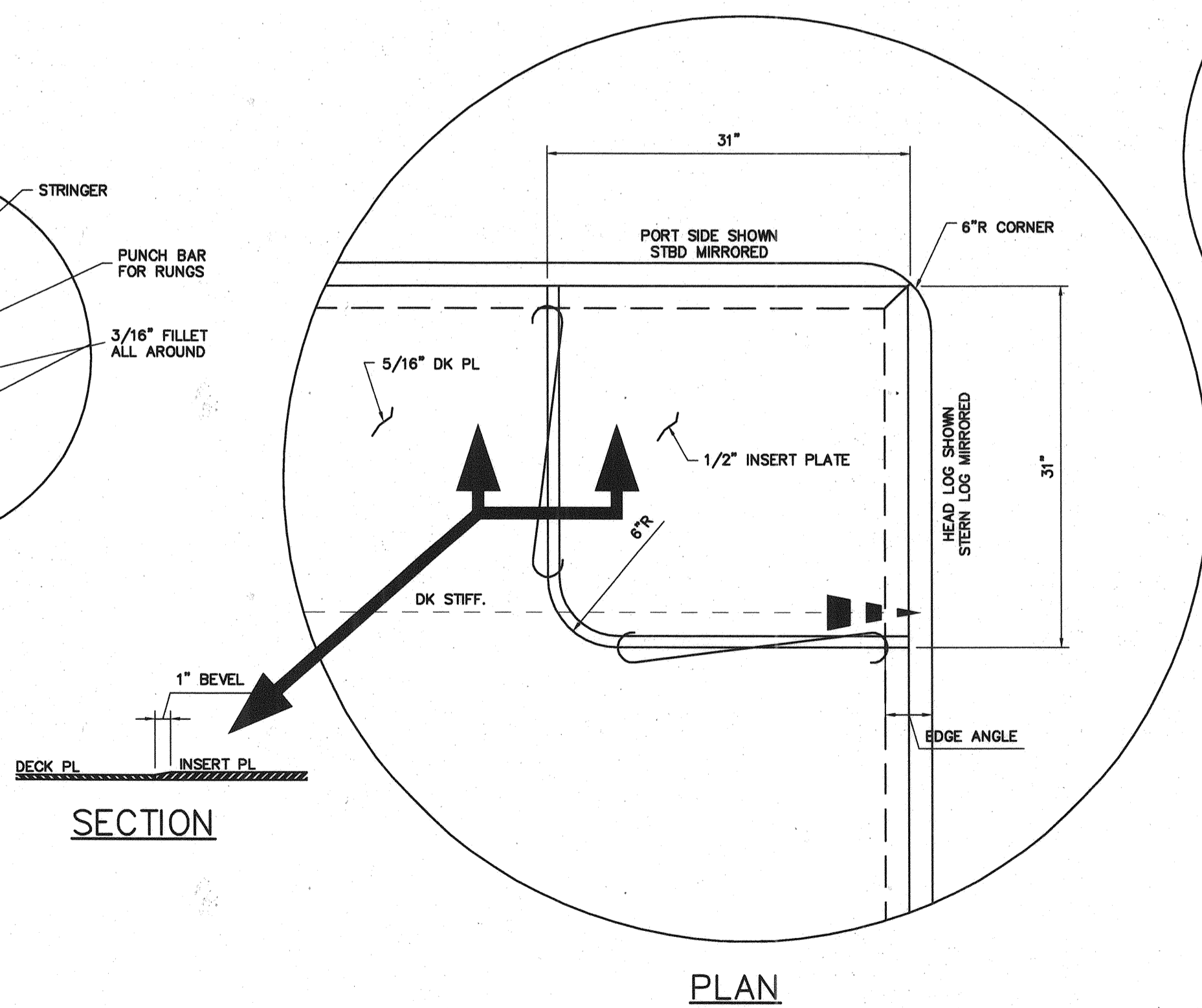


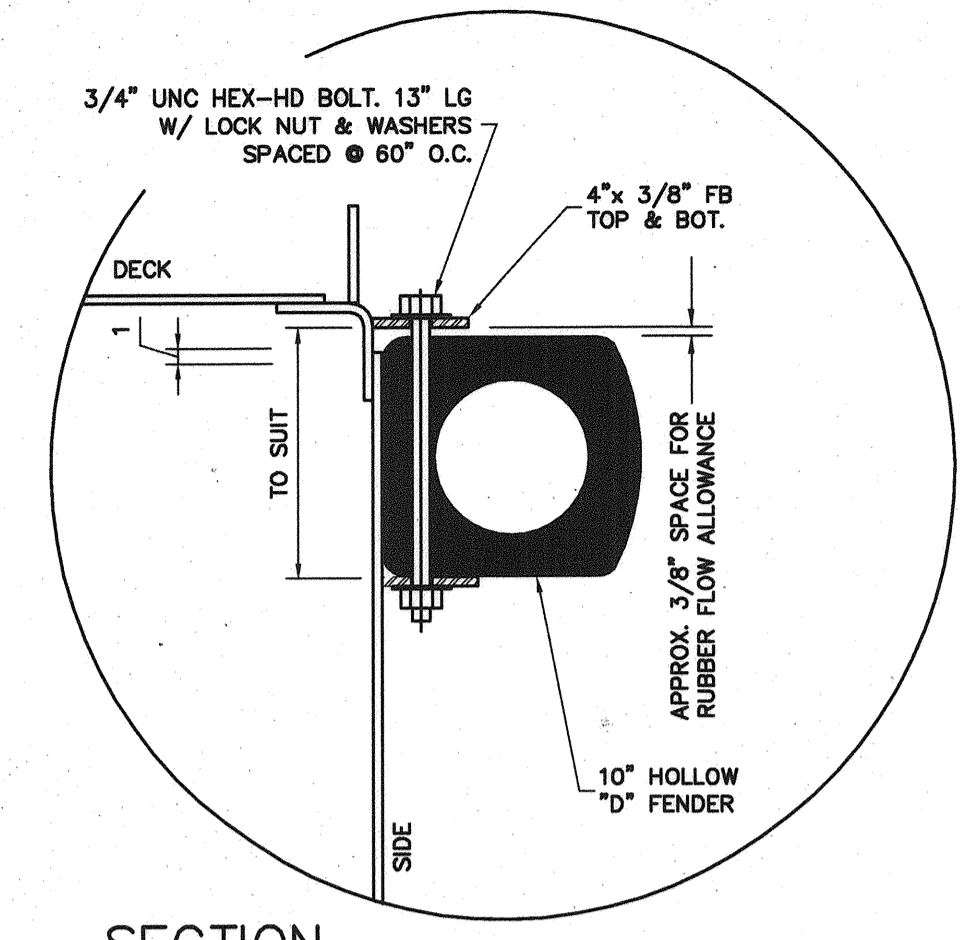
DETAIL 4-C  
 TYPICAL ACCESS LADDER  
 NOT TO SCALE



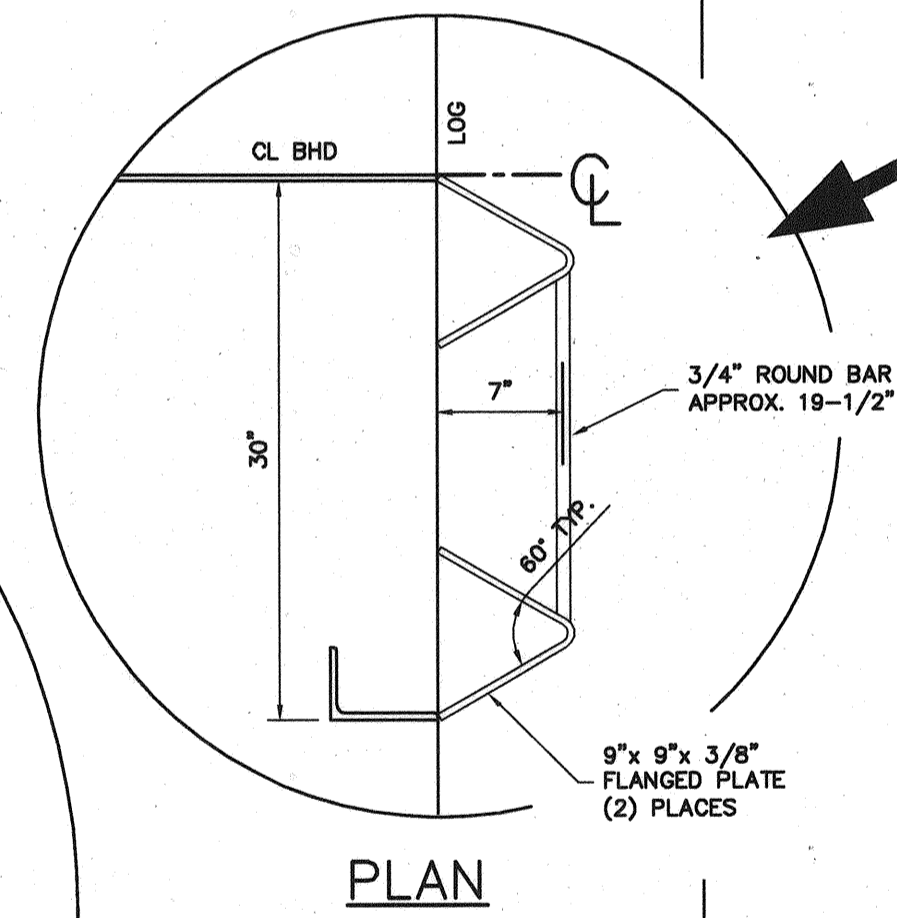
DETAIL 4-E  
 TYPICAL MANHOLE COVER  
 NOT TO SCALE



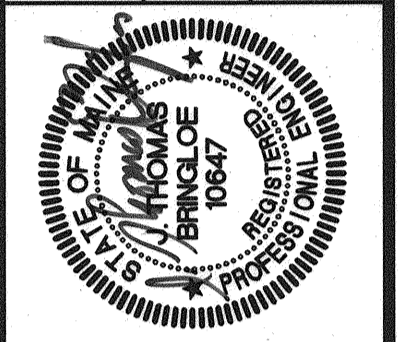
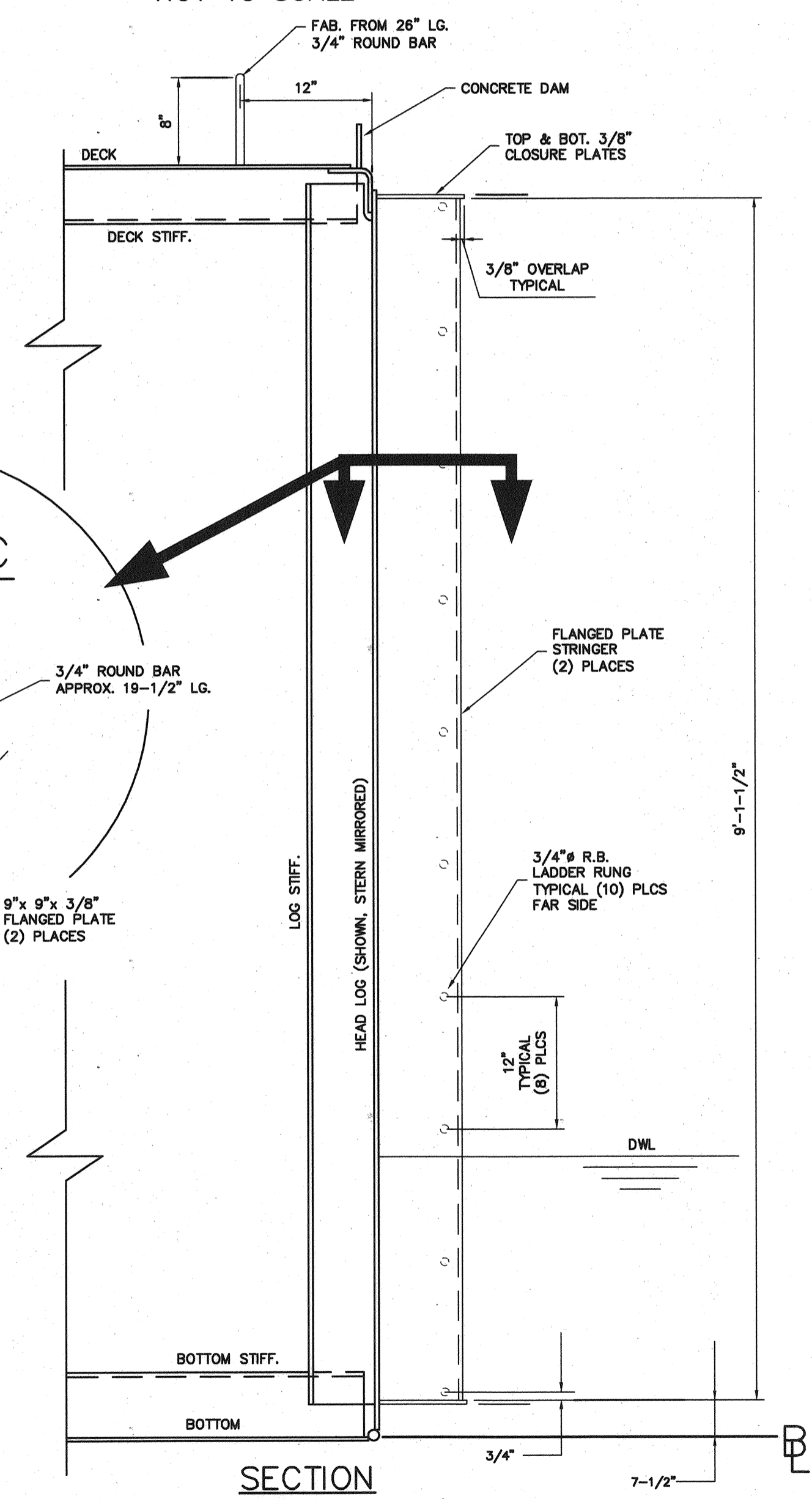
DETAIL 4-B  
 TYPICAL BARGE CORNER  
 NOT TO SCALE



DETAIL 4-D  
 TYPICAL FENDER  
 NOT TO SCALE



DETAIL 4-A  
 TYPICAL BOARDING LADDER (2 PLCS)  
 NOT TO SCALE



PROJ. MANAGER	PAUL POTTLE	BY	DATE	SIGNATURE	P.E. NUMBER	DATE
DESIGN-DETAILED	REL		02/25/04			
CHECKED-REVIEWED	JTB		03/18/04			
DESIGN-DETAILED	REL		08/12/04			
DESIGN-DETAILED						
REVISIONS 1						
REVISIONS 2						
REVISIONS 3						
REVISIONS 4						
FIELD CHANGES						

CITY OF PORTLAND  
 OCEAN GATEWAY PHASE 1  
 PIER 2 BERTH 2  
 DETAILS