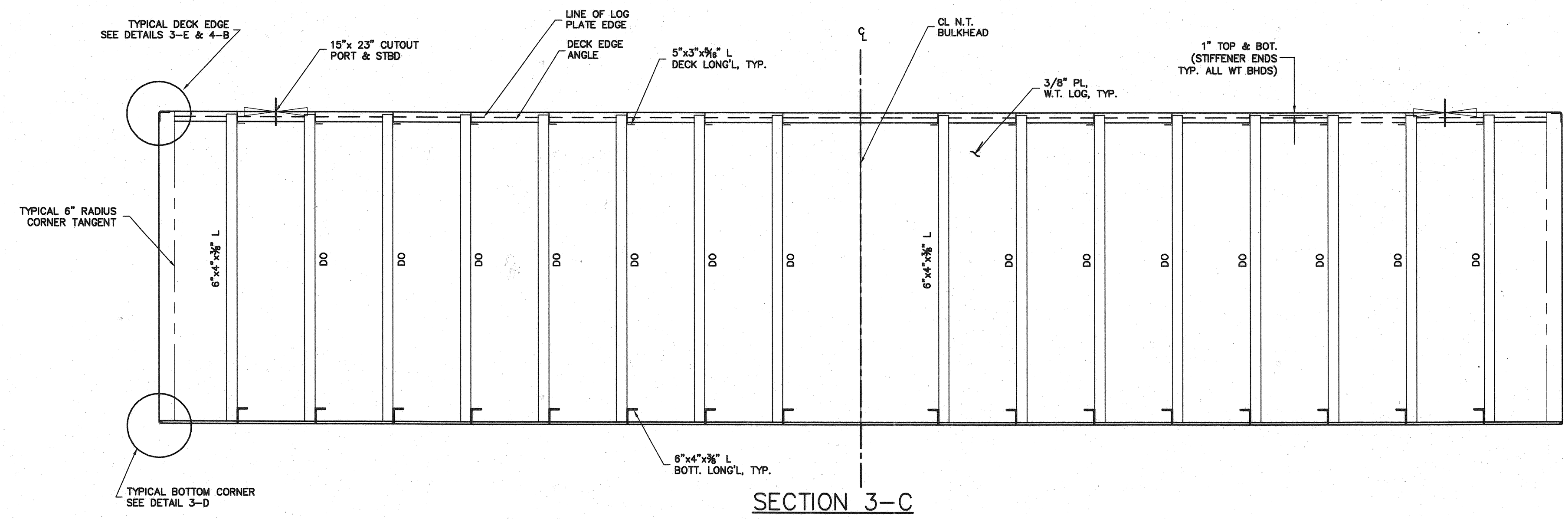


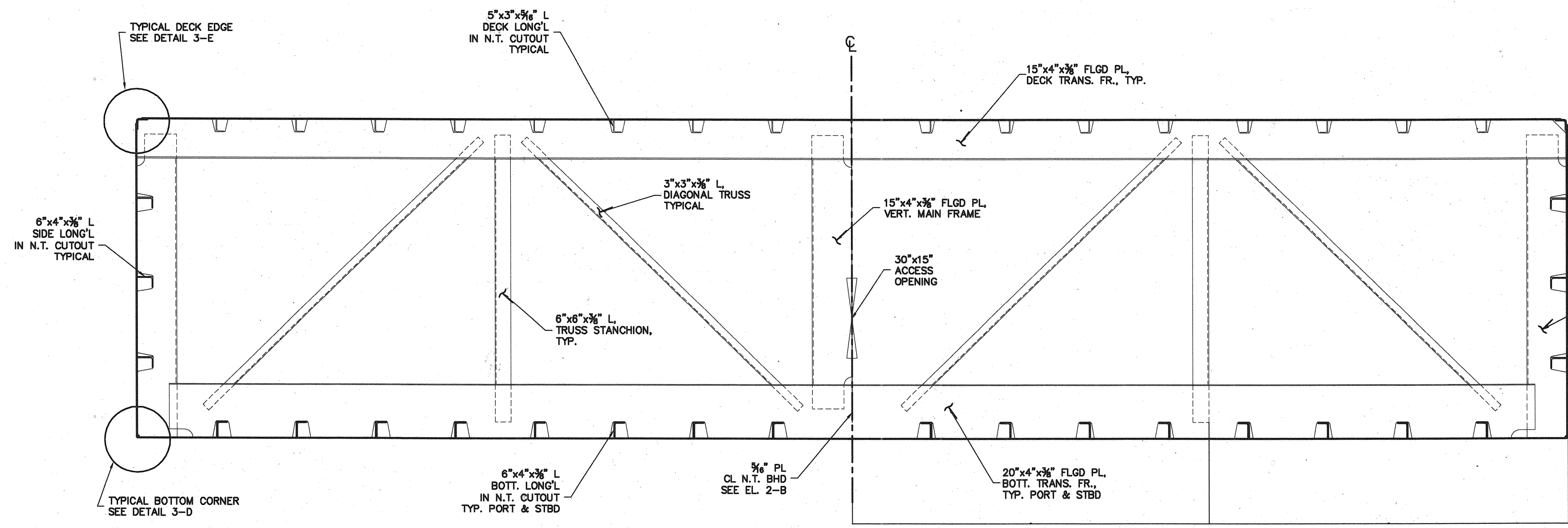
PROJ. MANAGER	PAUL POTTE	DATE
DESIGN-DETAILED	REL	02/25/04
CHECKED-REVIEWED	JTB	03/16/04
DESIGN2-DETAILED2	REL	08/12/04
DESIGN3-DETAILED3		
REVISIONS 1		
REVISIONS 2		
REVISIONS 3		
REVISIONS 4		
FIELD CHANGES		

CITY OF PORTLAND  
 OCEAN GATEWAY PHASE 1  
 PIER 2 BERTH 2  
 SECTIONS

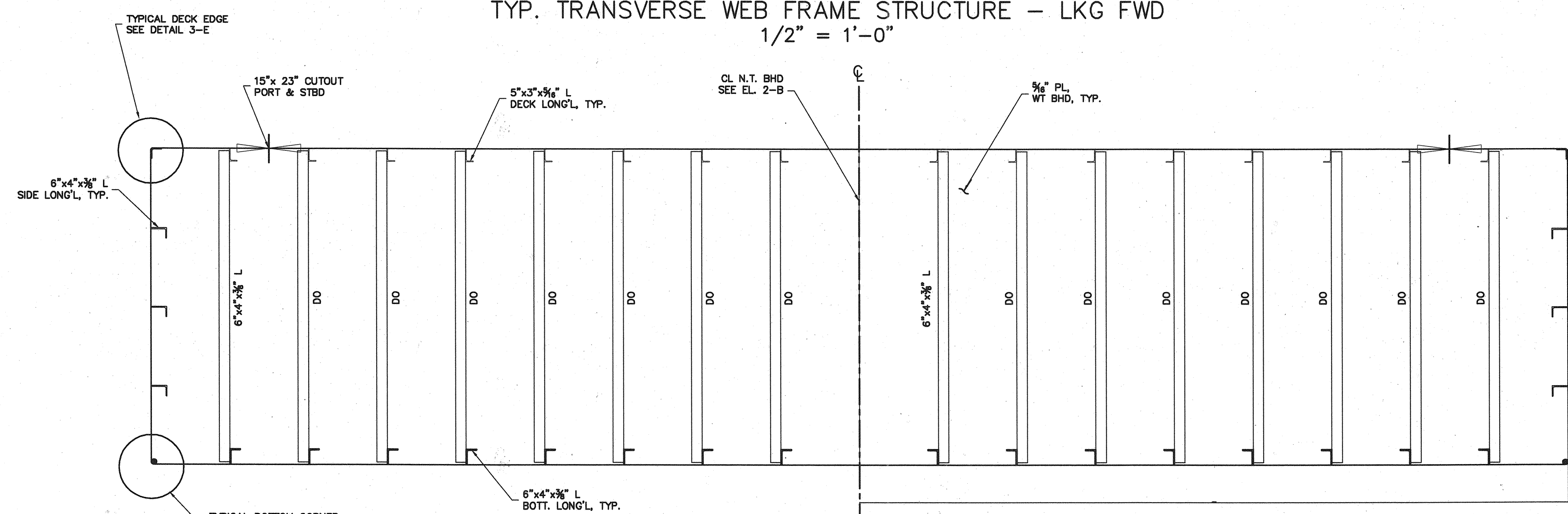
W317-M  
 ALT.  
 122 OF 288



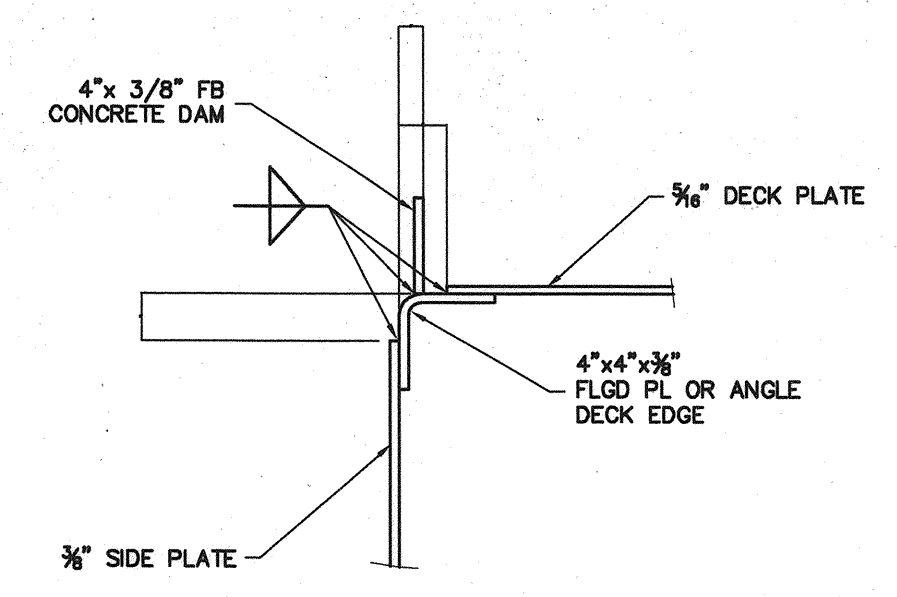
SECTION 3-C  
 TYP. TRANSVERSE LOG STRUCTURE - LKG FROM MIDSHIPS  
 1/2" = 1'-0"



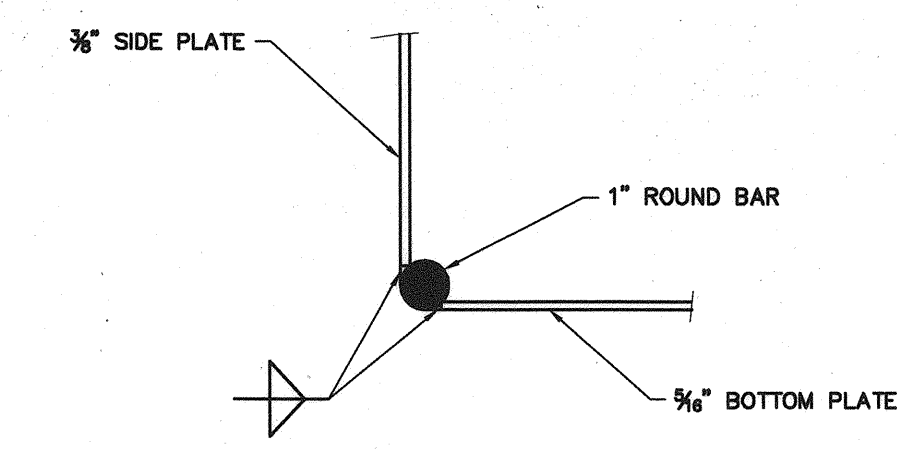
SECTION 3-B  
 TYP. TRANSVERSE WEB FRAME STRUCTURE - LKG FWD  
 1/2" = 1'-0"



SECTION 3-A  
 TYP. TRANSVERSE W.T. BHD STRUCTURE - LKG FWD  
 1/2" = 1'-0"



DETAIL 3-E  
 TYPICAL DECK EDGE  
 2" = 1'-0"



DETAIL 3-D  
 TYPICAL BOTTOM CORNER  
 2" = 1'-0"