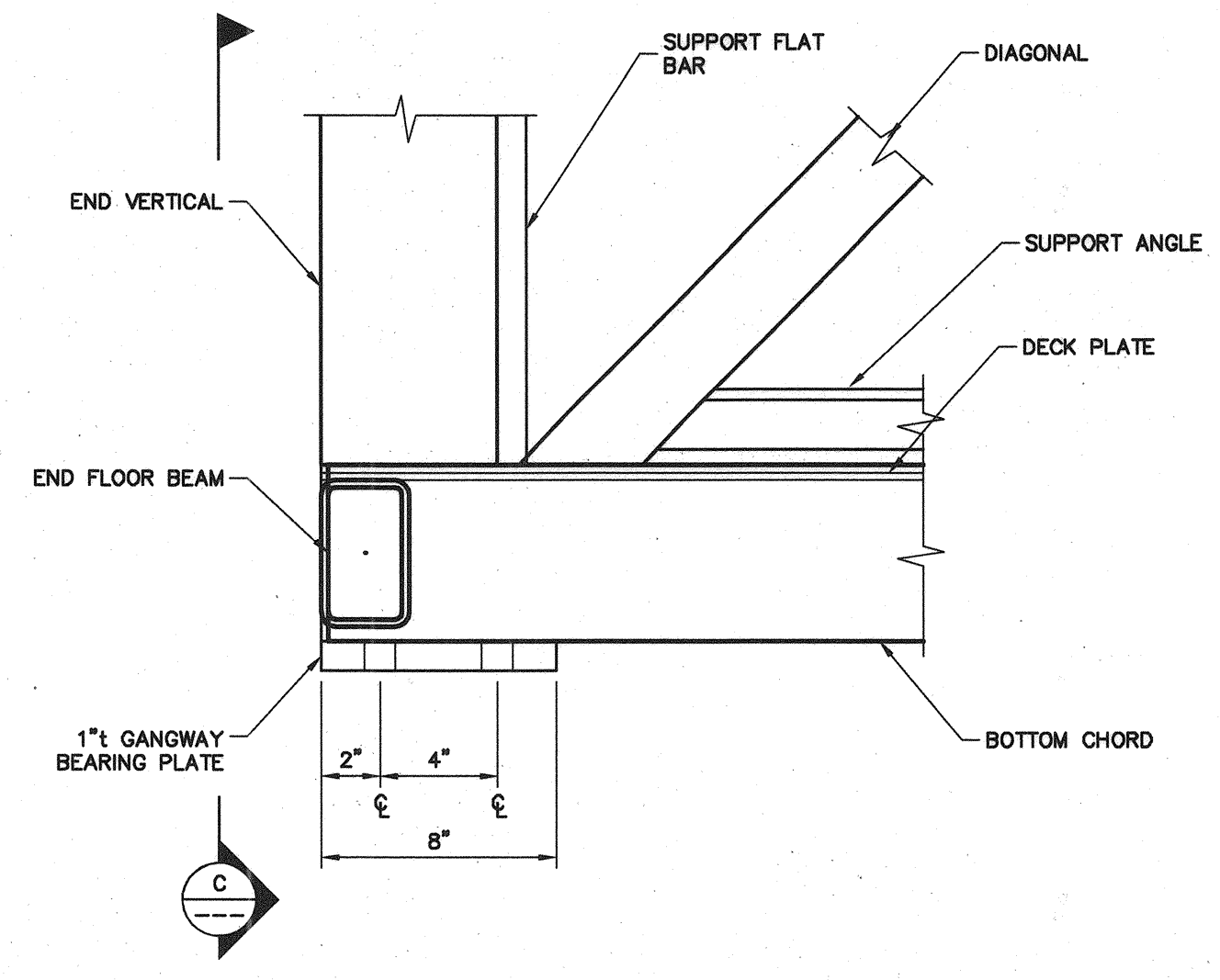
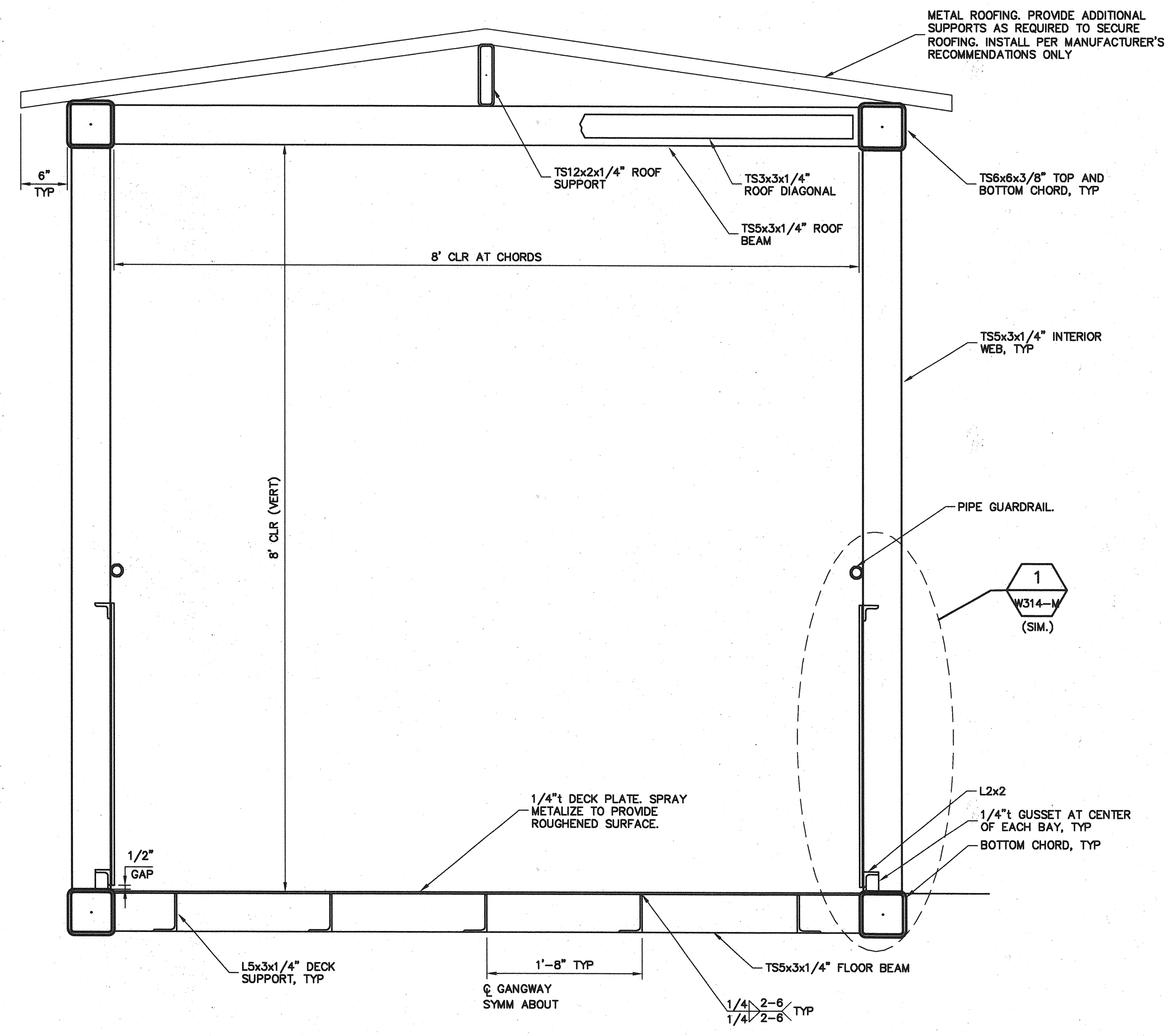
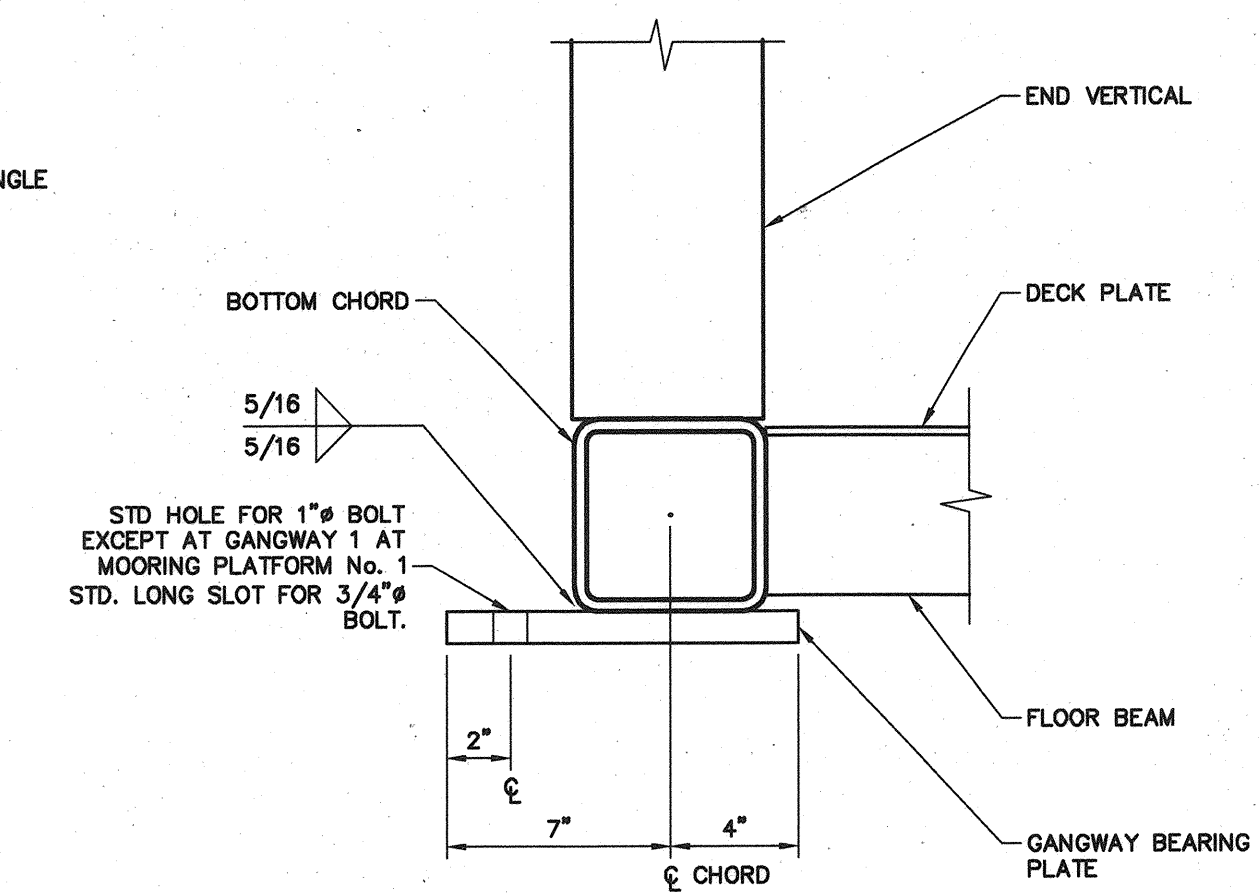


9/30/04
Filename: 20343502-M-W310-ALT-100



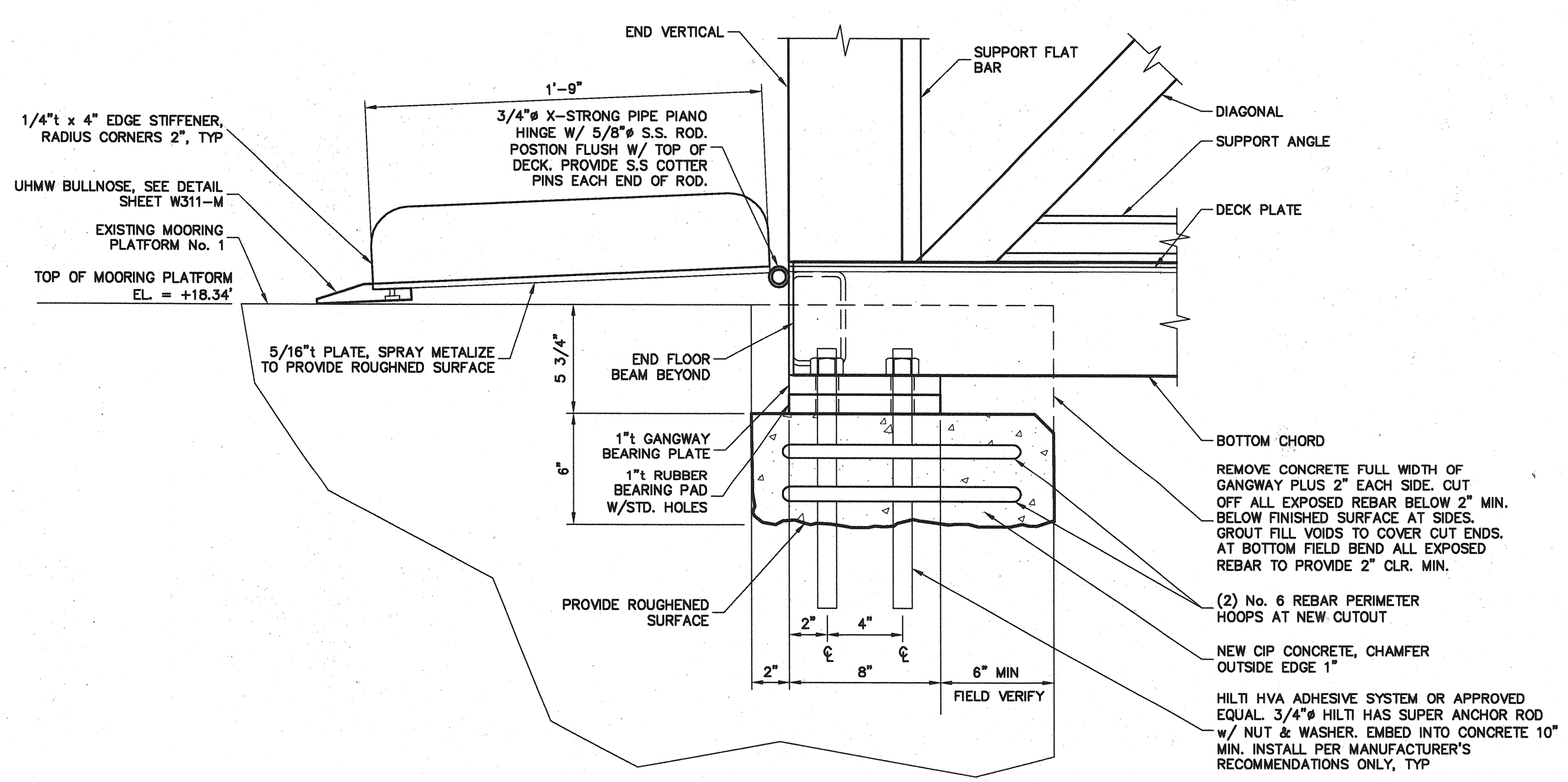
BEARING PLATE DETAIL



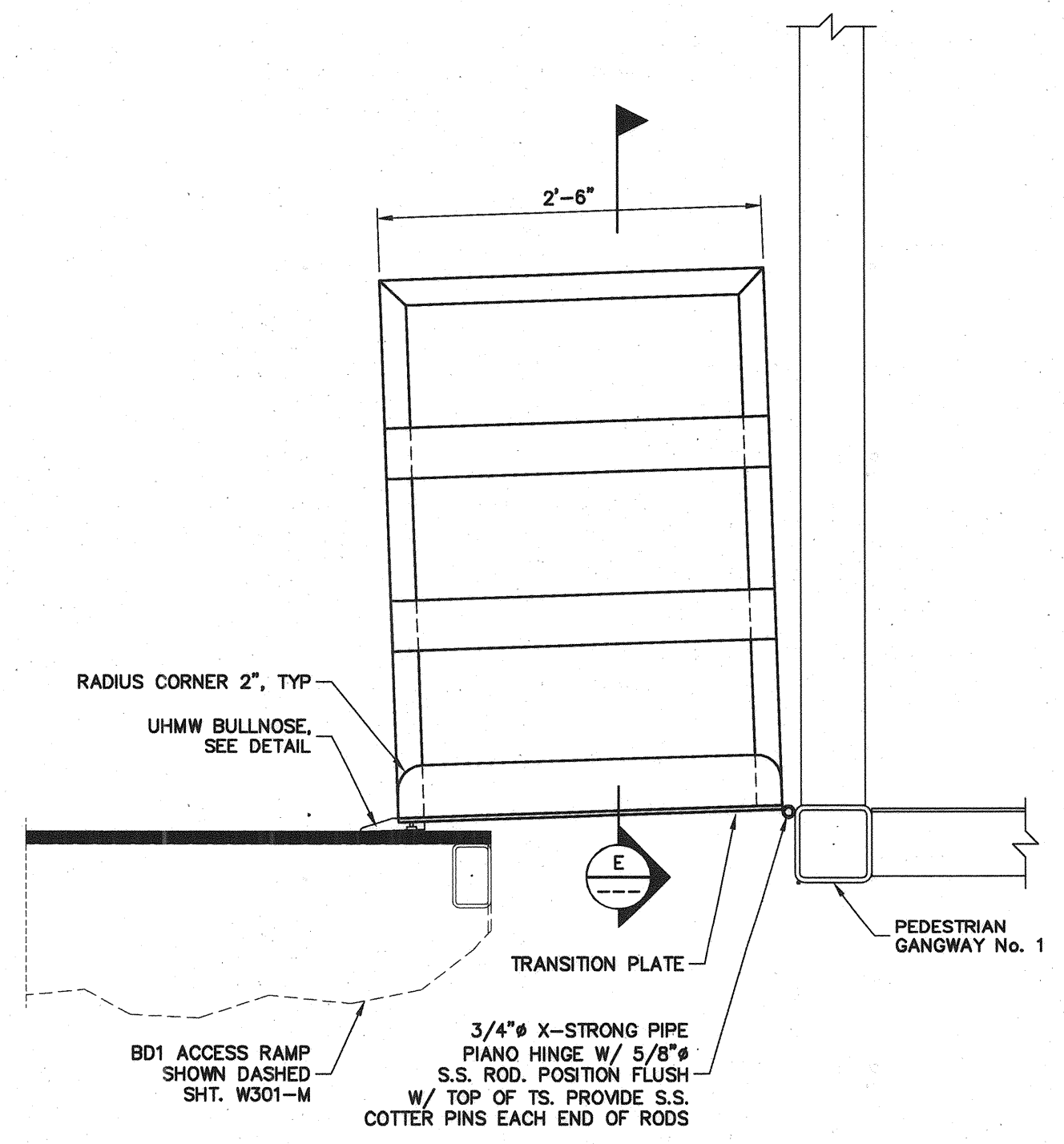
VIEW C

NOTE: WELD ALL JOINTS WITH 1/4" FILLET WELD OR EQUIVALENT BEVEL WELD ALL AROUND UNLESS OTHERWISE NOTED.

SECTION B W309-M

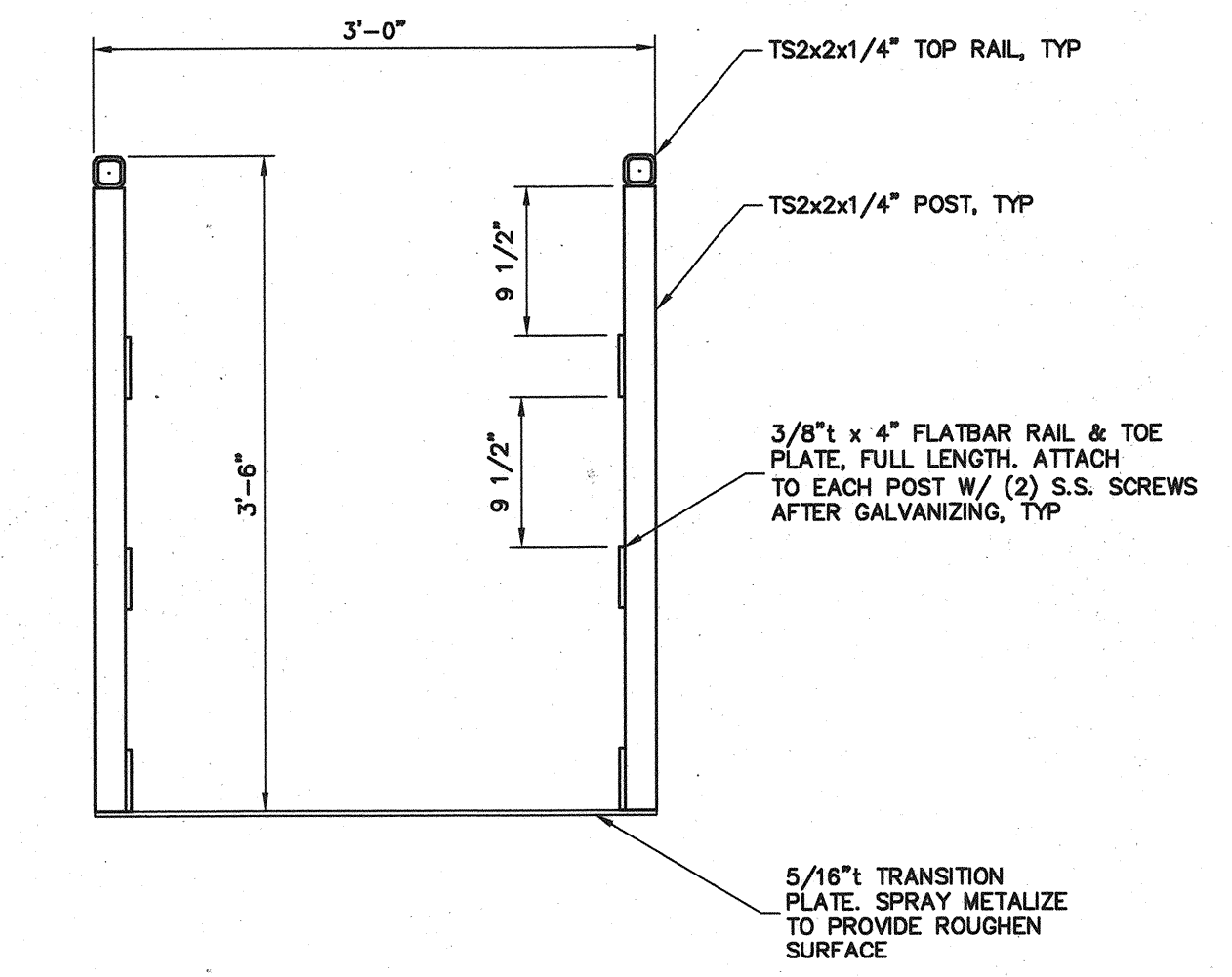


BEARING AT MOORING PLATFORM No. 1



SECTION D W-309M

NOTE: GATE NOT SHOWN FOR CLARITY



SECTION E

ALTERNATE No. 4

811 First Avenue, Suite 570
Seattle, Washington 98104
Phone: (206) 461-1387
Fax: (206) 461-1388
E-Mail: info@pridesa.com

INCORPORATED
CONSULTING ENGINEERS

STATE OF MAINE
DEPARTMENT OF TRANSPORTATION
PROJECT NUMBER 009215.00
PIN 009215.00

DAVID M. PIERCE
REGISTERED PROFESSIONAL ENGINEER
NO. 9437

SIGNATURE
P.E. NUMBER 9437
DATE 10/16/04

PROJ. MANAGER	PAUL POTTLE	DATE	BY	DATE
DESIGN-DETAILED	TMB	09/01/04	DH	
CHECKED-REVIEWED	RJ	09/01/04	DP	
DESIGN2-DETAILED2				
DESIGN3-DETAILED3				
REVISIONS 1				
REVISIONS 2				
REVISIONS 3				
REVISIONS 4				
FIELD CHANGES				

CITY OF PORTLAND
OCEAN GANGWAY PHASE 1
PIER 2 BERTH 2
PEDESTRIAN GANGWAY 1 & 2 DETAILS

W310-M
ALT.
115 OF 288