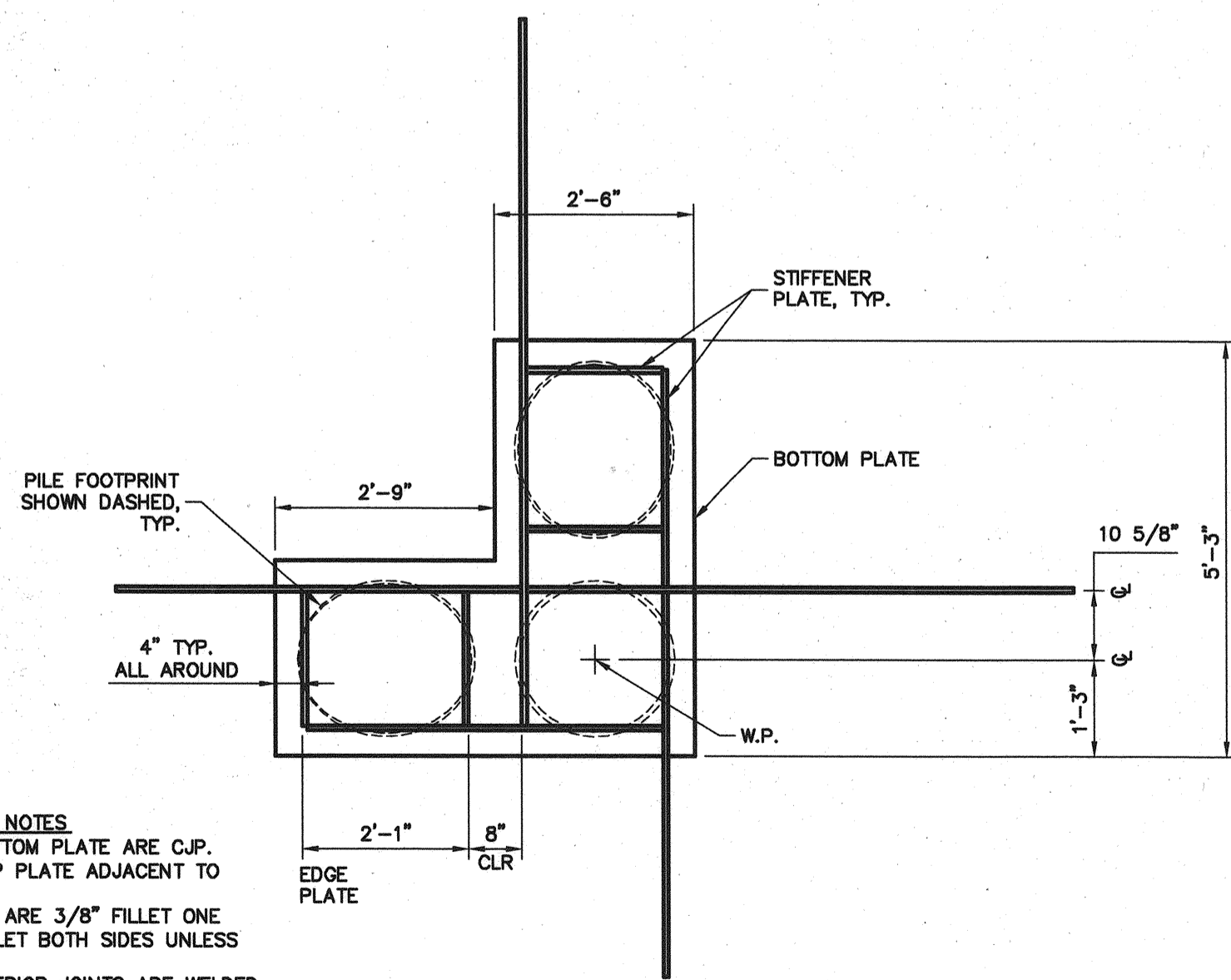


**PLAN
MOORING DOLPHIN No. 2**

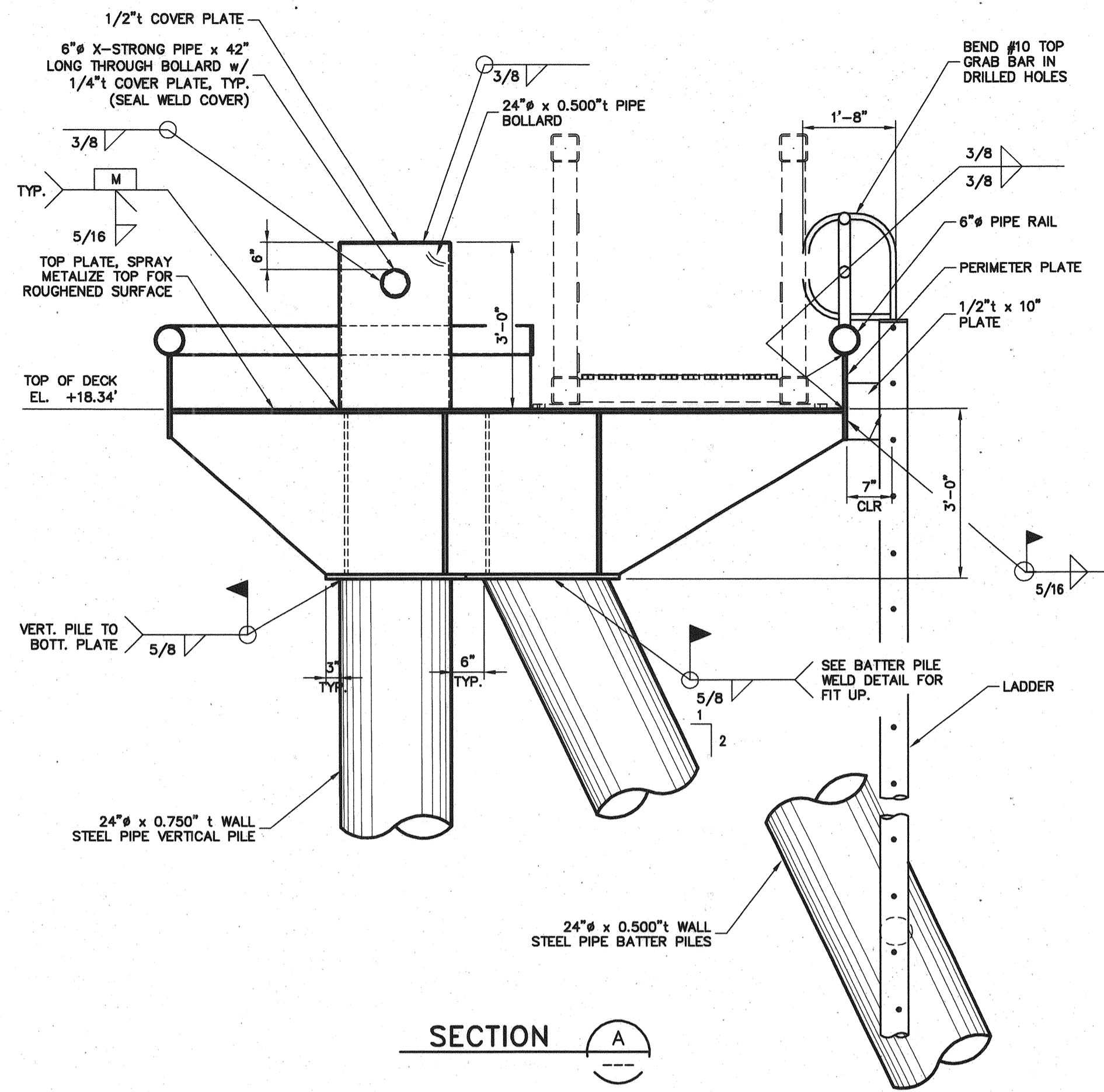
SCALE: 1/2"=1'-0"
(MOORING DOLPHIN No. 1 SIMILAR)

NOTE:
ALL PLATES 3/4" t UNLESS
OTHERWISE NOTED.

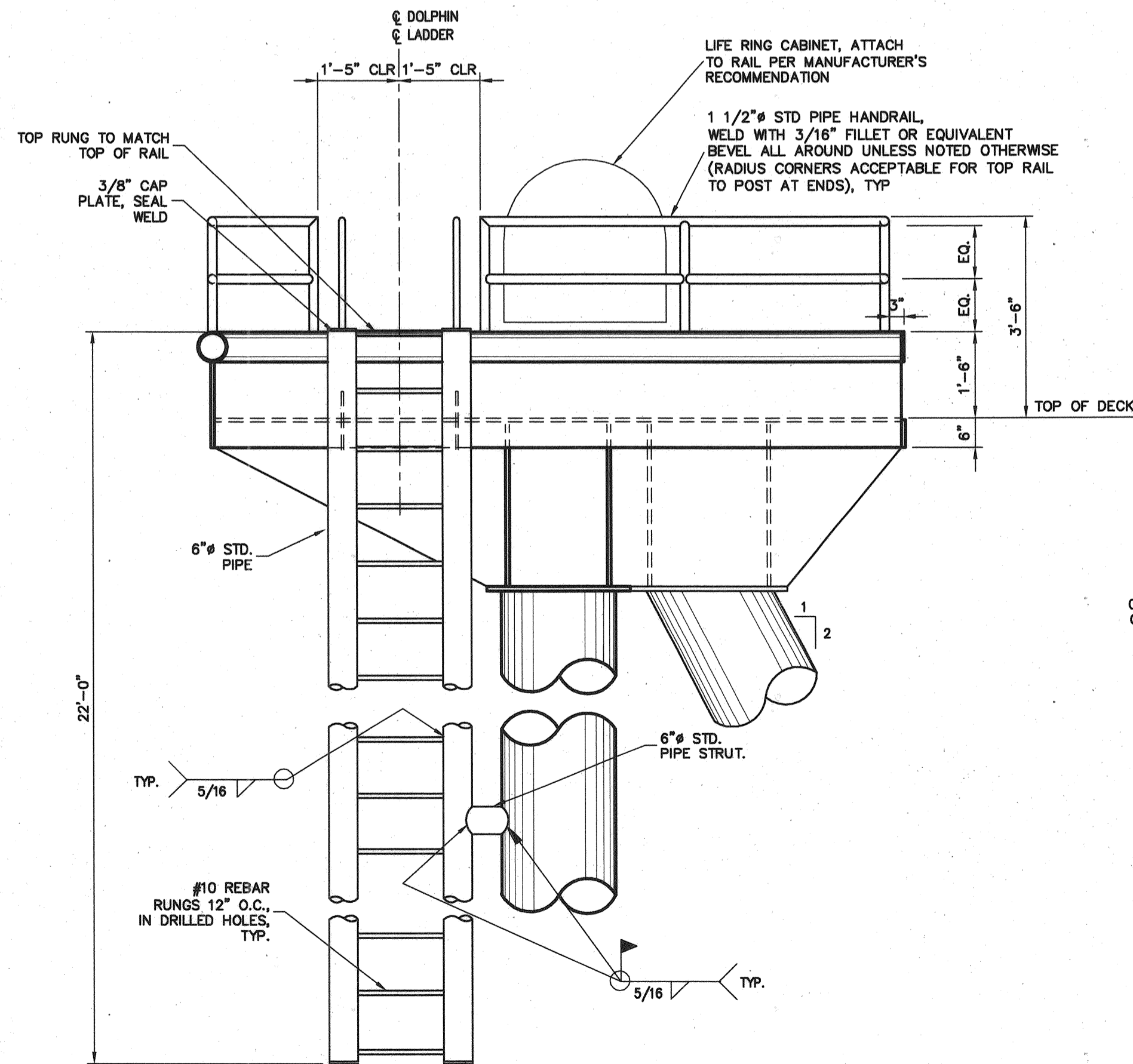


**PLAN
BOTTOM PLATE**

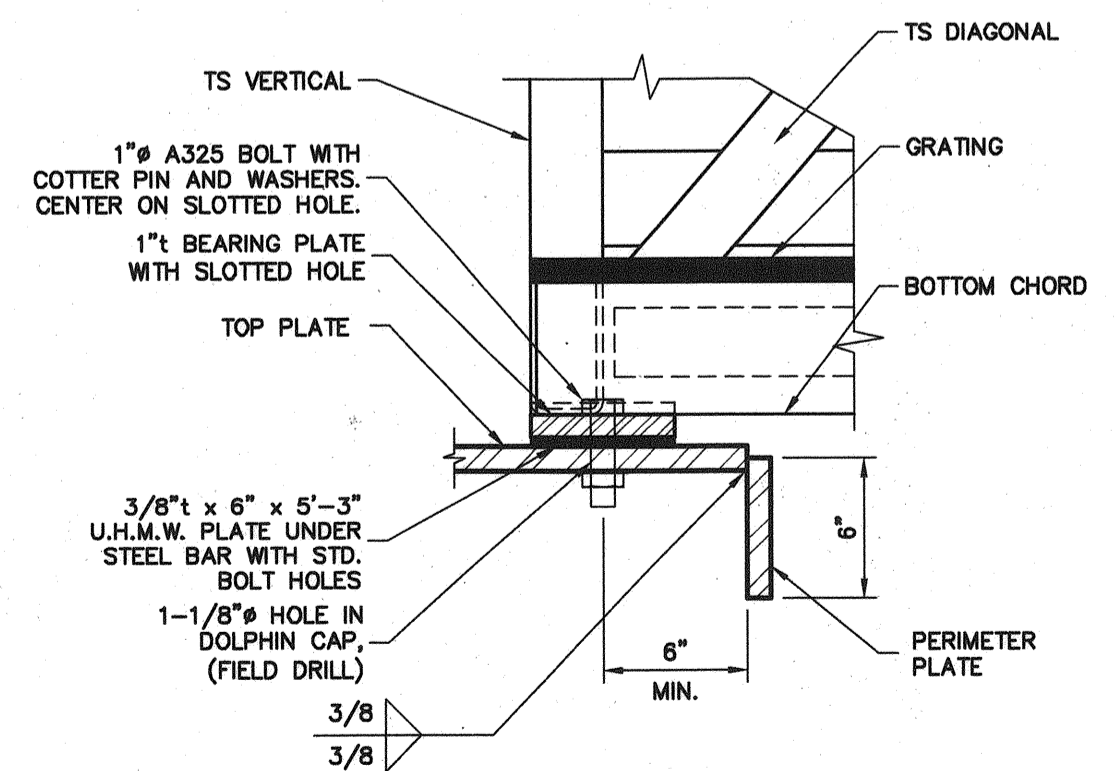
- DOLPHIN CAP WELDING NOTES**
- 1.) ALL JOINTS TO BOTTOM PLATE ARE C.J.P.
 - 2.) ALL JOINTS TO TOP PLATE ADJACENT TO BOLLARD ARE C.J.P.
 - 3.) ALL OTHER JOINTS ARE 3/8" FILLET ONE SIDE OR 5/16" FILLET BOTH SIDES UNLESS NOTED OTHERWISE.
 - 4.) IN ALL CASES EXTERIOR JOINTS ARE WELDED.
 - 5.) CAP WELDMENTS ARE TOTALLY SEALED (NO RAT HOLES OR DRAIN HOLES).



SECTION A

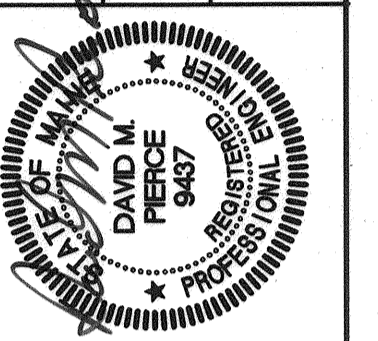


SECTION B



SECTION C

ALTERNATE No. 4



SIGNATURE
P.E. NUMBER
DATE

DATE	BY	PROJ. MANAGER	PAUL POTLIE	DESIGN-DETAILED	TMB	CHECKED-REVIEWED	RU	DESIGN2-DETAILED2	DESIGN3-DETAILED3	REVISIONS 1	REVISIONS 2	REVISIONS 3	REVISIONS 4	FIELD CHANGES
09/01/04	DH													
09/01/04	DP													