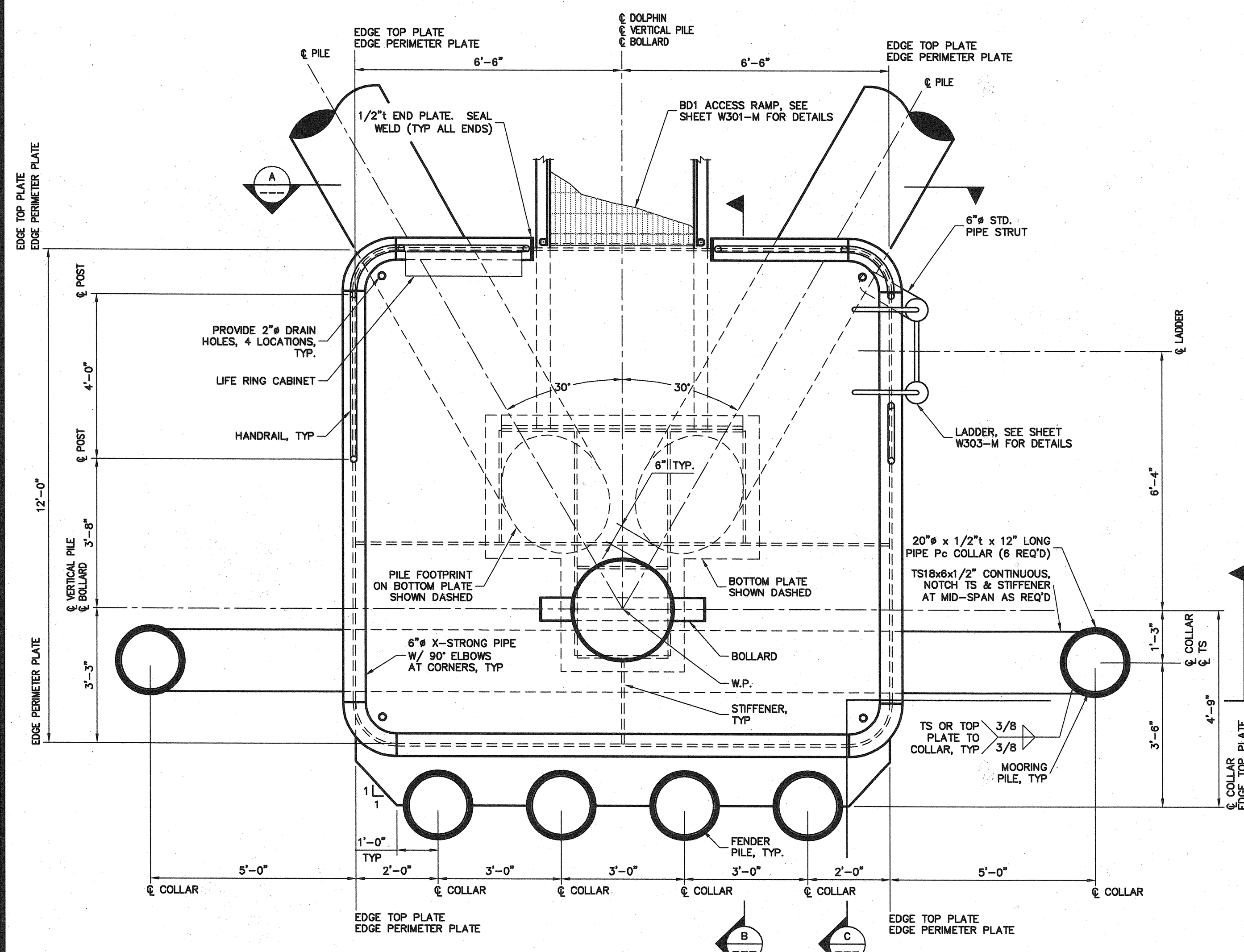
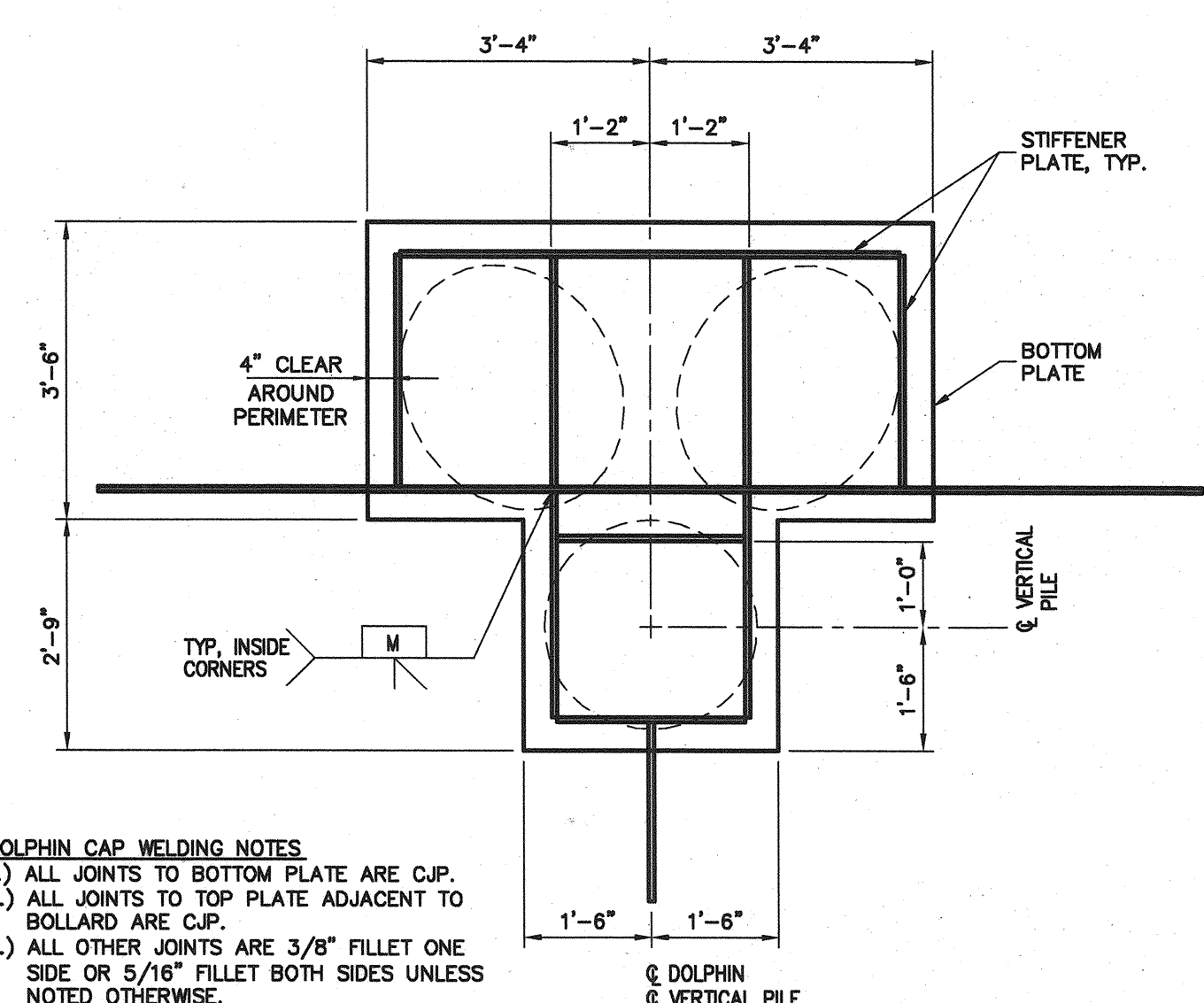


9/30/04  
 Filename: 20343802-M-W300-ALT-100



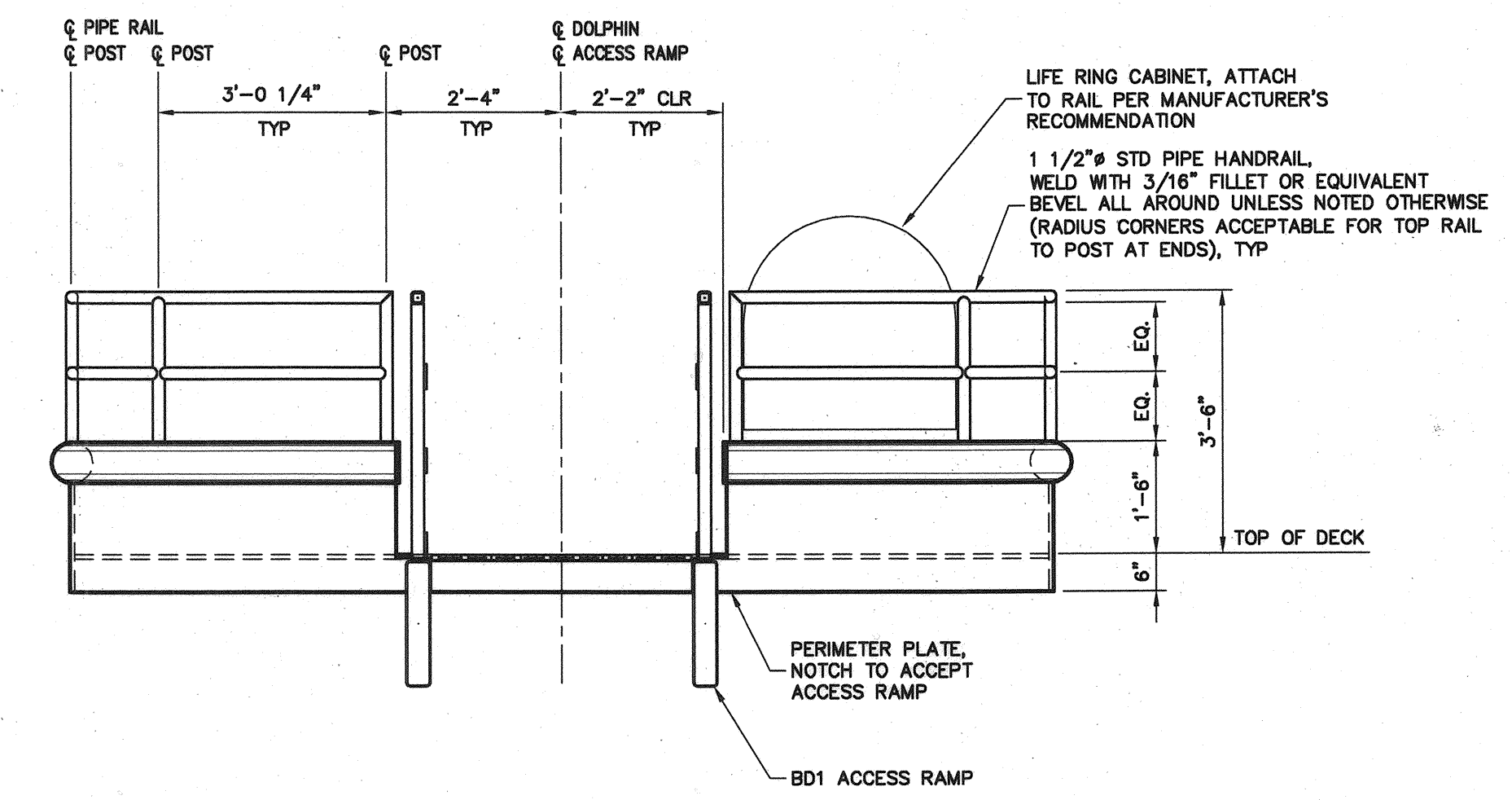
**PLAN BREASTING DOLPHIN No. 1**  
 SCALE: 1/2"=1'-0"  
 (BREASTING DOLPHIN No. 1 & 2 SIMILAR)



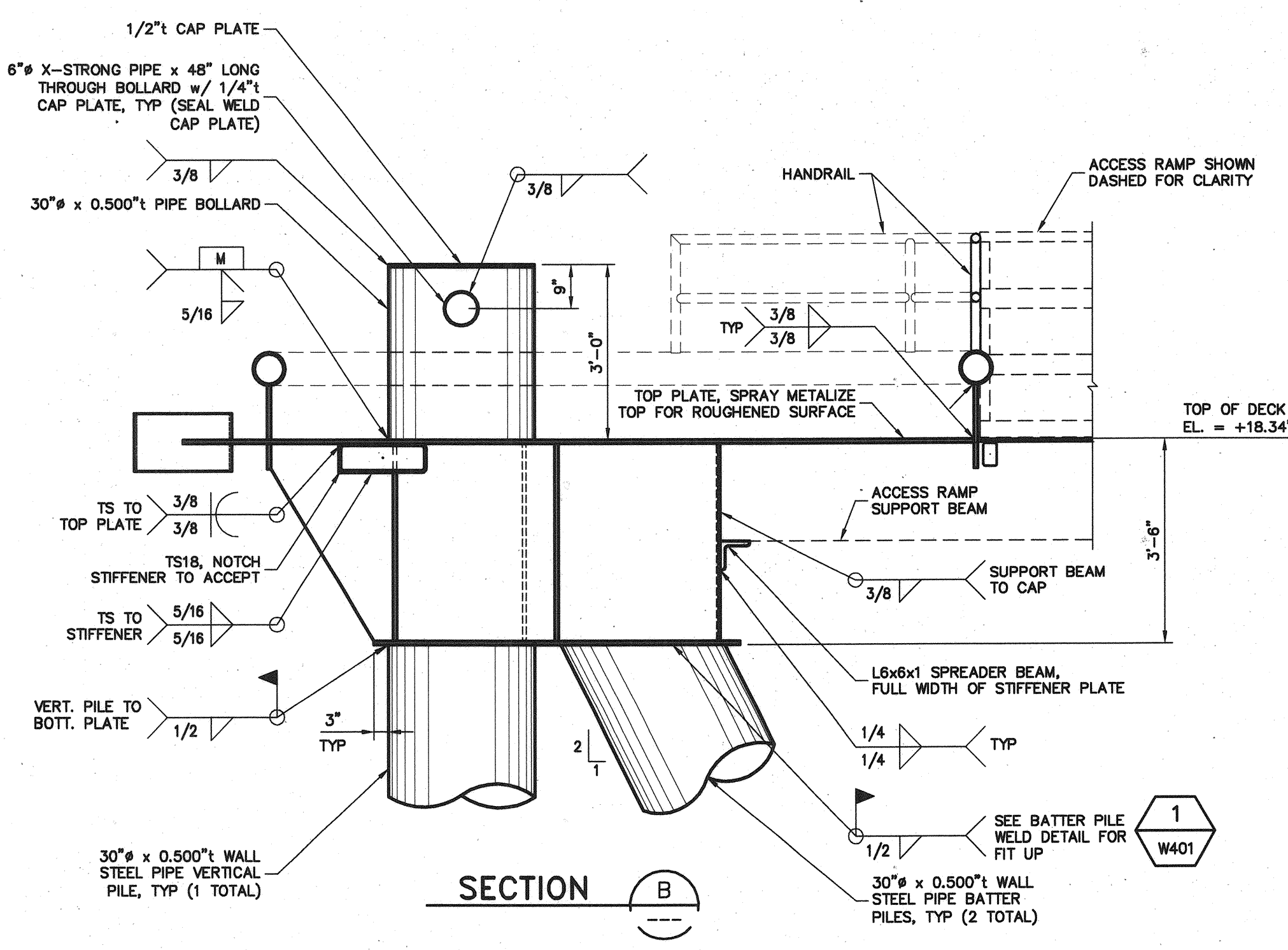
**PLAN BOTTOM PLATE**

- DOLPHIN CAP WELDING NOTES**
- 1.) ALL JOINTS TO BOTTOM PLATE ARE C.J.P.
  - 2.) ALL JOINTS TO TOP PLATE ADJACENT TO BOLLARD ARE C.J.P.
  - 3.) ALL OTHER JOINTS ARE 3/8" FILLET ONE SIDE OR 5/16" FILLET BOTH SIDES UNLESS NOTED OTHERWISE.
  - 4.) IN ALL CASES EXTERIOR JOINTS ARE WELDED.
  - 5.) CAP WELDMENTS ARE TOTALLY SEALED (NO RAT HOLES OR DRAIN HOLES).

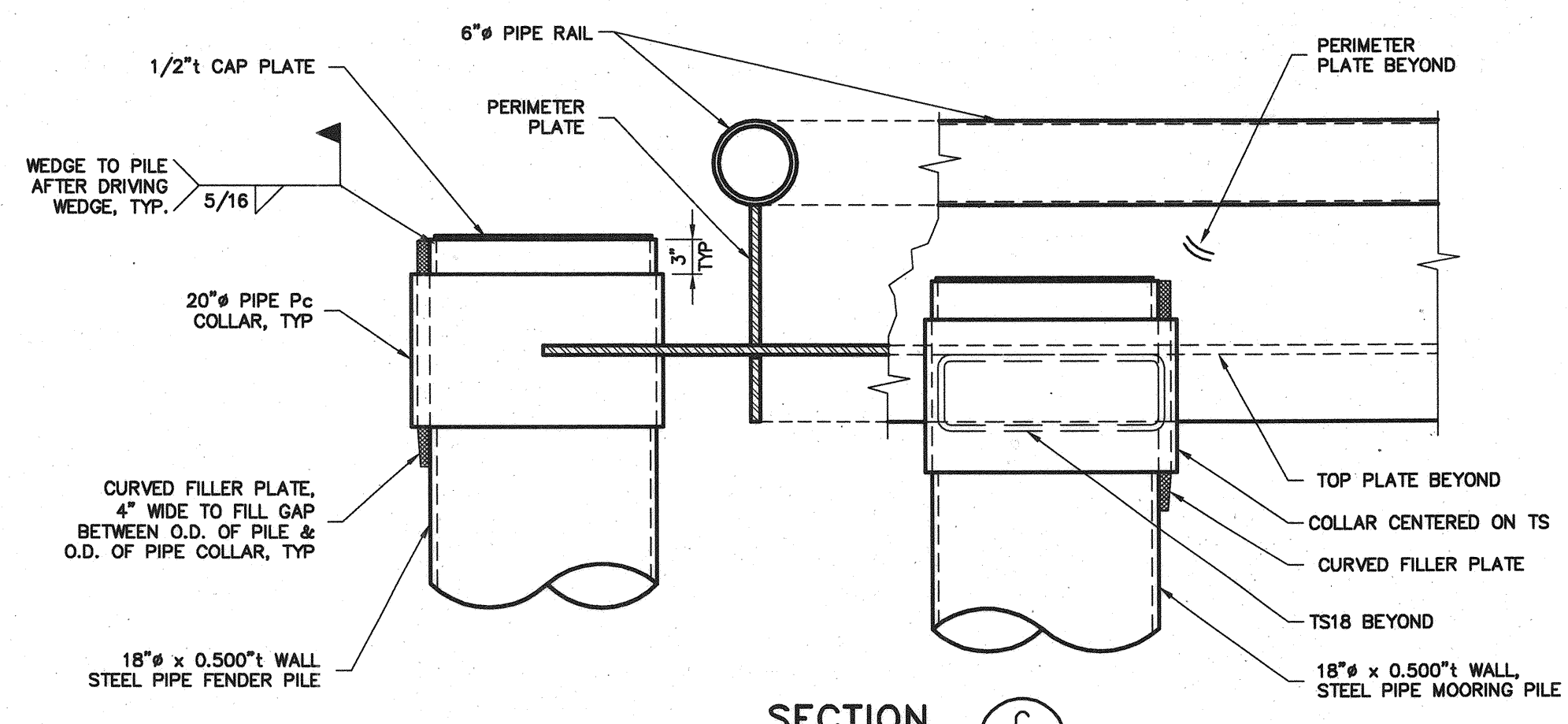
NOTE:  
 ALL PLATES 3/4" UNLESS OTHERWISE NOTED.



**SECTION A**



**SECTION B**

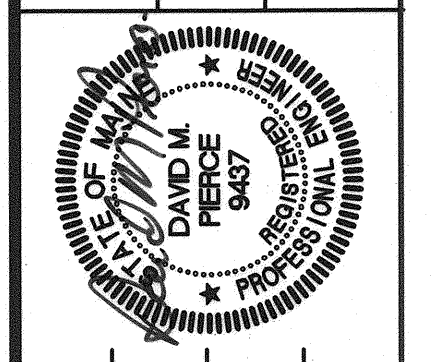


**SECTION C**

811 First Avenue, Suite 570  
 Seattle, Washington 98104  
 Phone: (206) 424-1387  
 Fax: (206) 424-1388  
 E-Mail: info@pinesec.com

**CONSULTING ENGINEERS Incorporated**

STATE OF MAINE  
 DEPARTMENT OF TRANSPORTATION  
 PROJECT NUMBER 009215.00  
 PIN 009215.00



SIGNATURE  
 P.E. NUMBER  
 DATE

PROJ. MANAGER	PAUL POTLIE	DATE	BY	DATE
DESIGN-DETAILED	TMB	09/01/04	DH	09/01/04
CHECKED-REVIEWED	RU	09/01/04	DP	
DESIGN2-DETAILED2				
DESIGN3-DETAILED3				
REVISIONS 1				
REVISIONS 2				
REVISIONS 3				
REVISIONS 4				
FIELD CHANGES				

CITY OF PORTLAND  
 OCEAN GATEWAY PHASE 1  
 PIER 2 BERTH 2  
 BREASTING DOLPHIN No. 1

**W300-M ALT.**

**ALTERNATE No. 4**