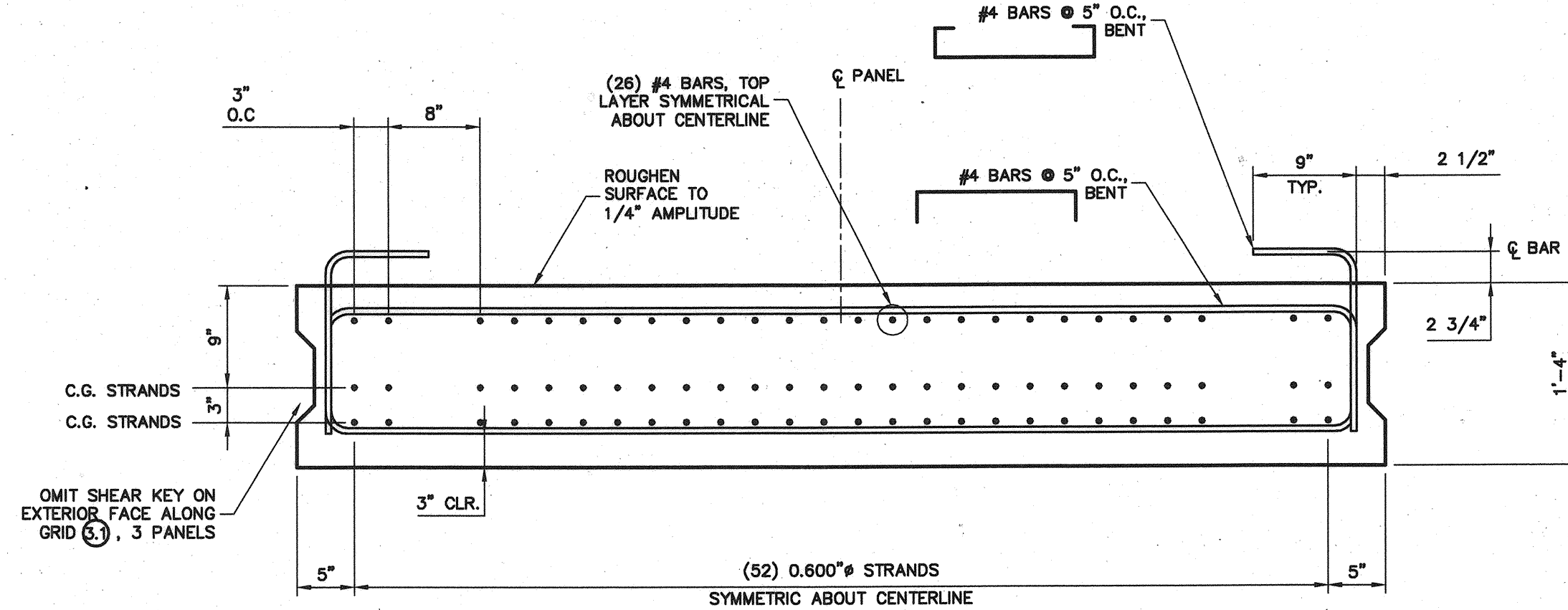
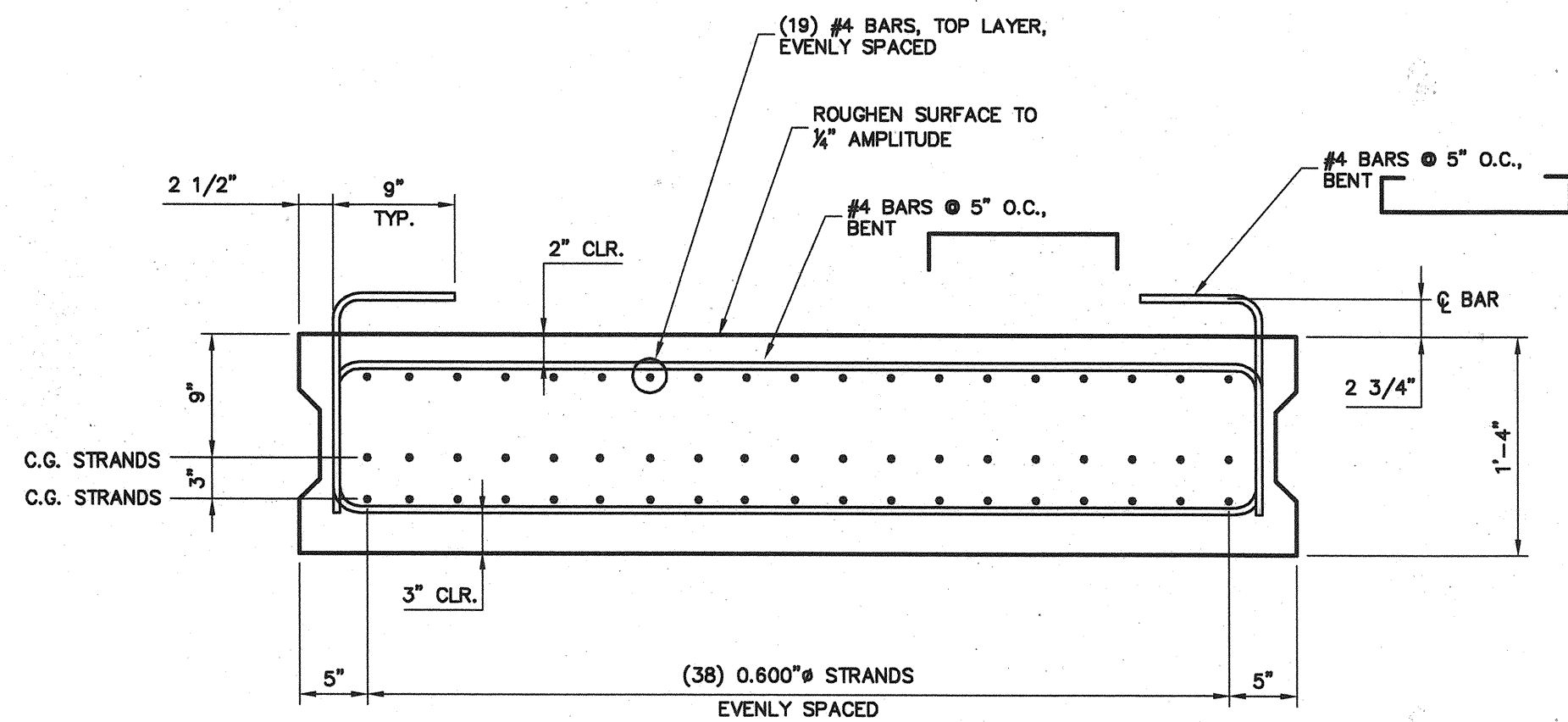


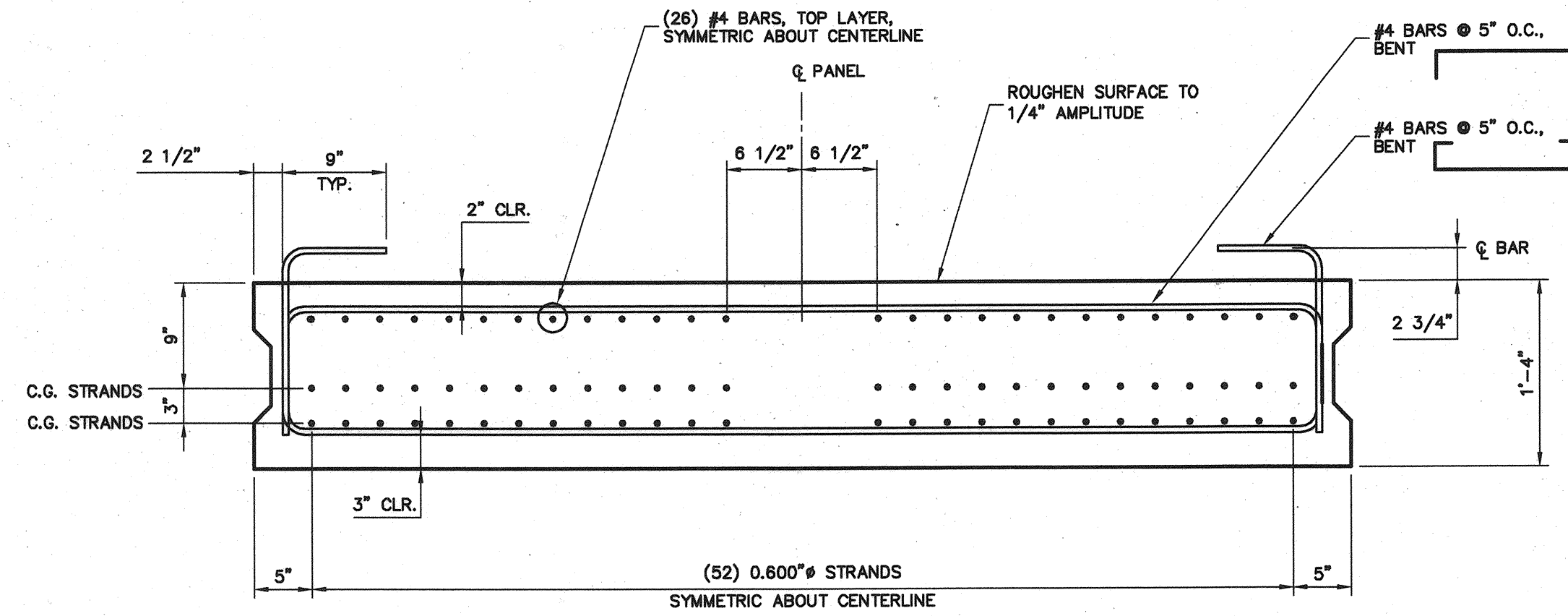
SECTION A
 W304-A



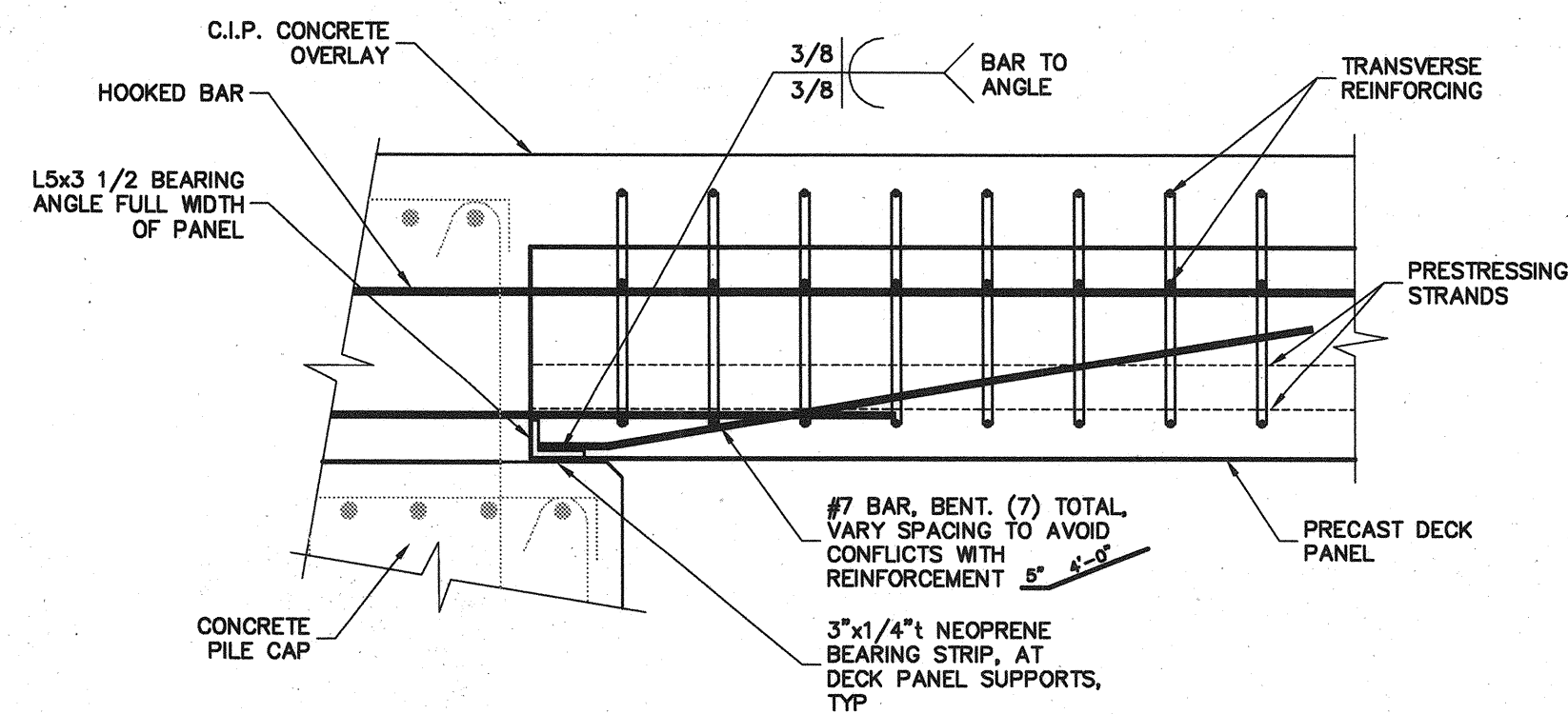
SECTION B
 W304-A



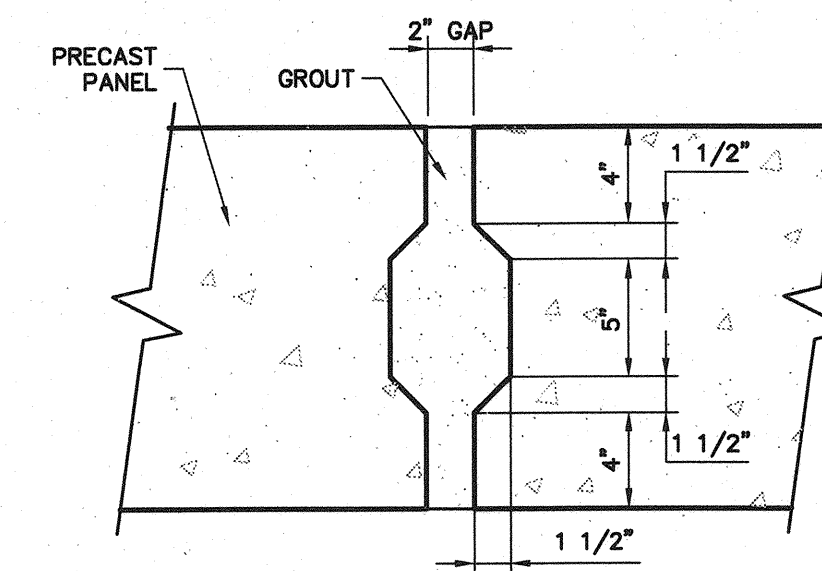
SECTION C
 W304-A



SECTION D
 W304-A



SECTION E
 W304-A



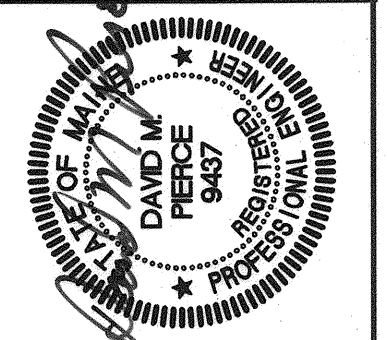
1 TYPICAL SHEAR KEY

811 First Avenue, Suite 570
 Seattle, Washington 98104
 Phone: (206) 624-1387
 Fax: (206) 624-1388
 E-Mail: mail@pge.com

INCORPORATED
ENGINEERS

STATE OF MAINE
 DEPARTMENT OF TRANSPORTATION
 PROJECT NUMBER 009215.00

PIN
 009215.00



SIGNATURE
 P.E. NUMBER
 DATE

PROJ. MGR.	DATE	BY	REVISIONS
PAUL POTTE	09/01/04	DH	DESIGN-DETAILED
	09/01/04	DP	CHECKED-REVIEWED
			DESIGN2-DETAILED
			DESIGN3-DETAILED
			REVISIONS 1
			REVISIONS 2
			REVISIONS 3
			REVISIONS 4
			FIELD CHANGES

CITY OF PORTLAND
 OCEAN GATEWAY PHASE 1

PIER A
 DECK PANEL DETAILS

W305-A