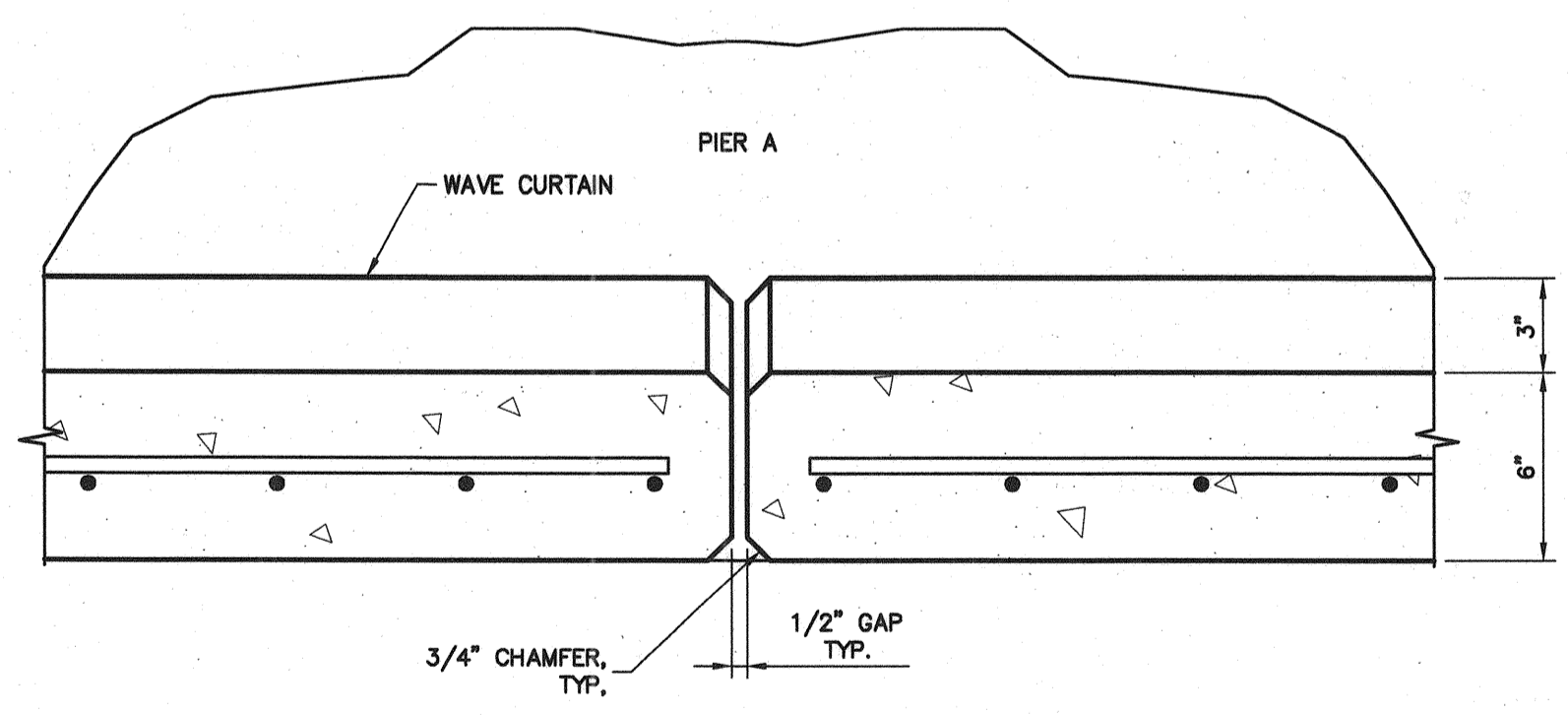
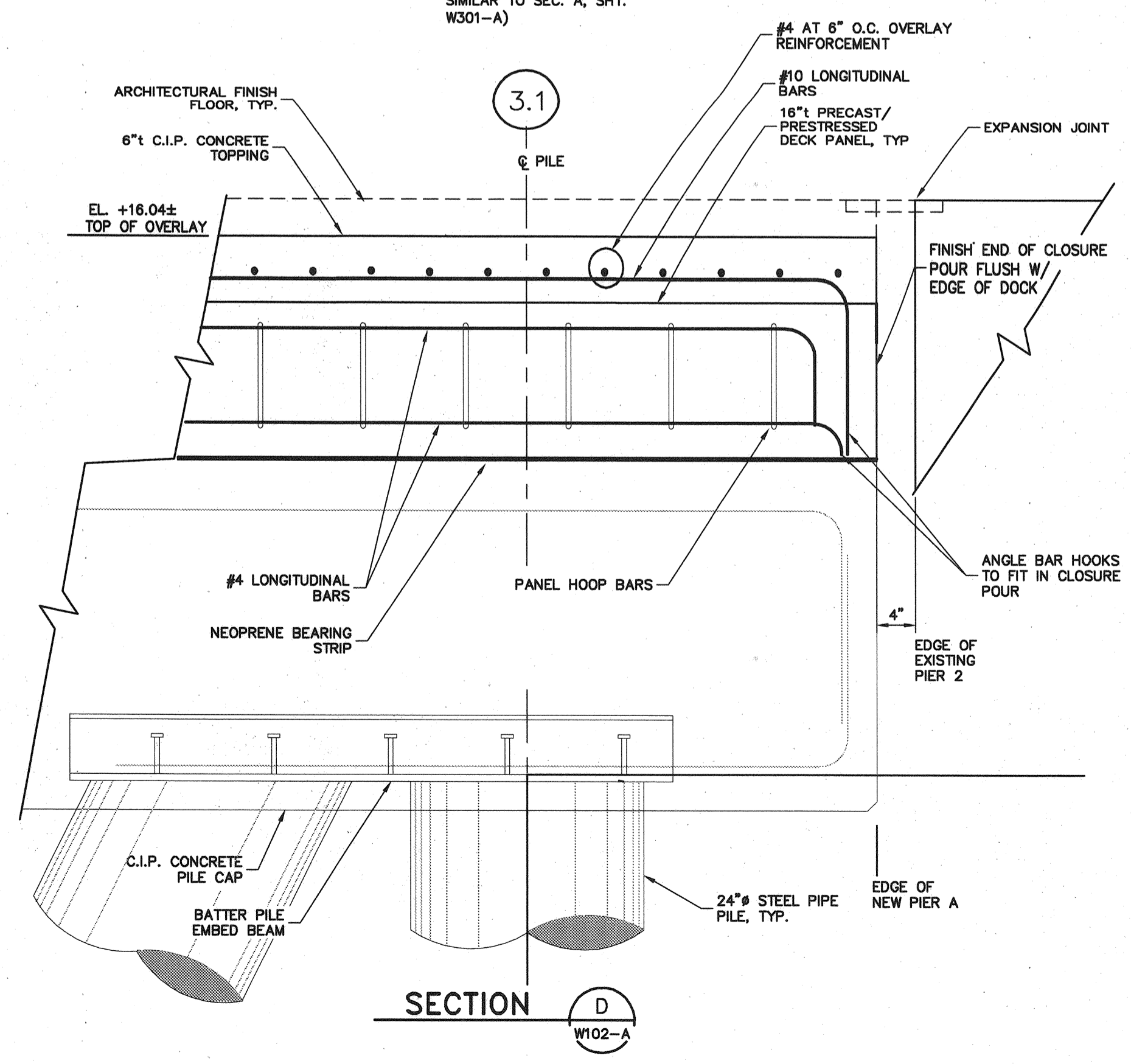
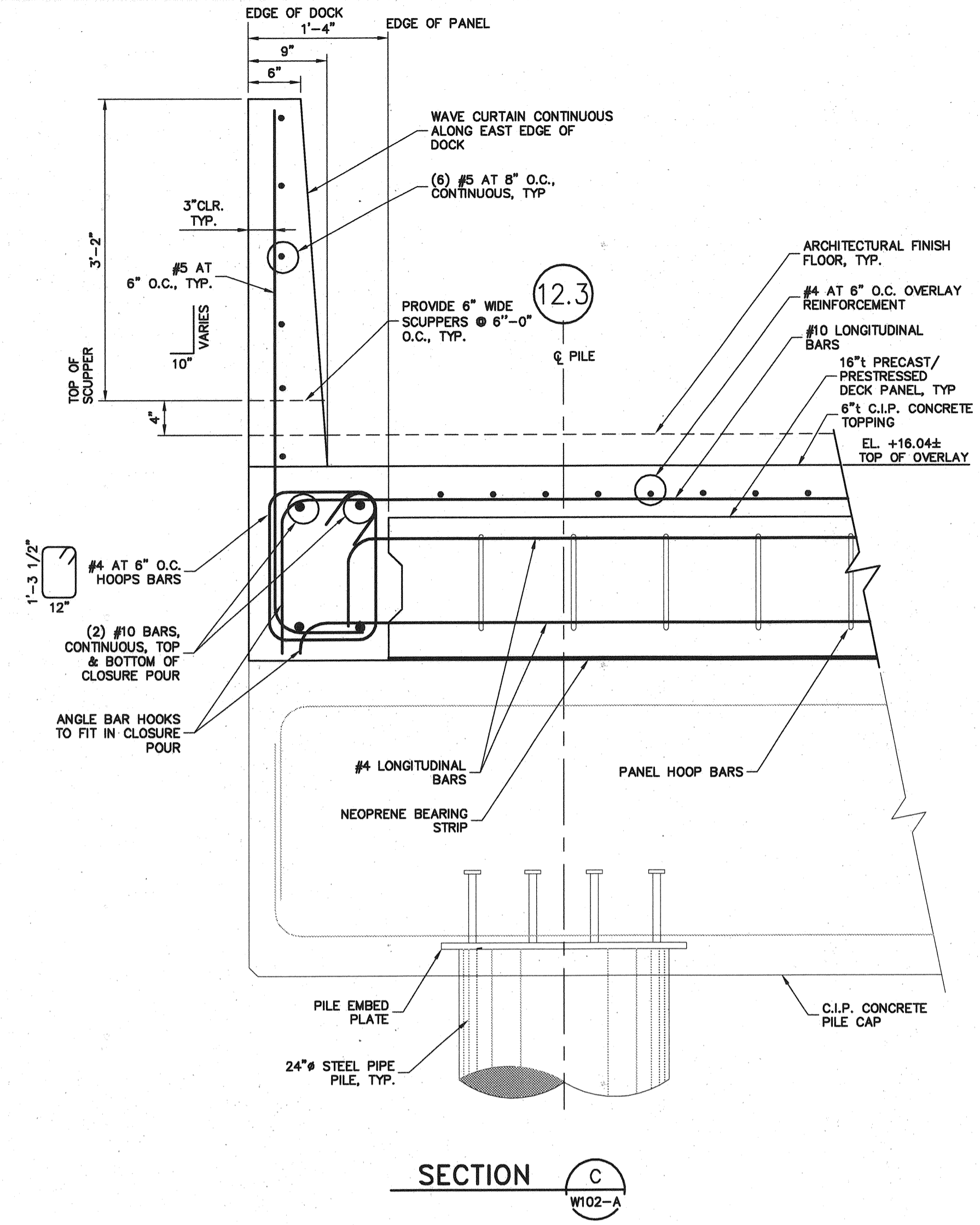
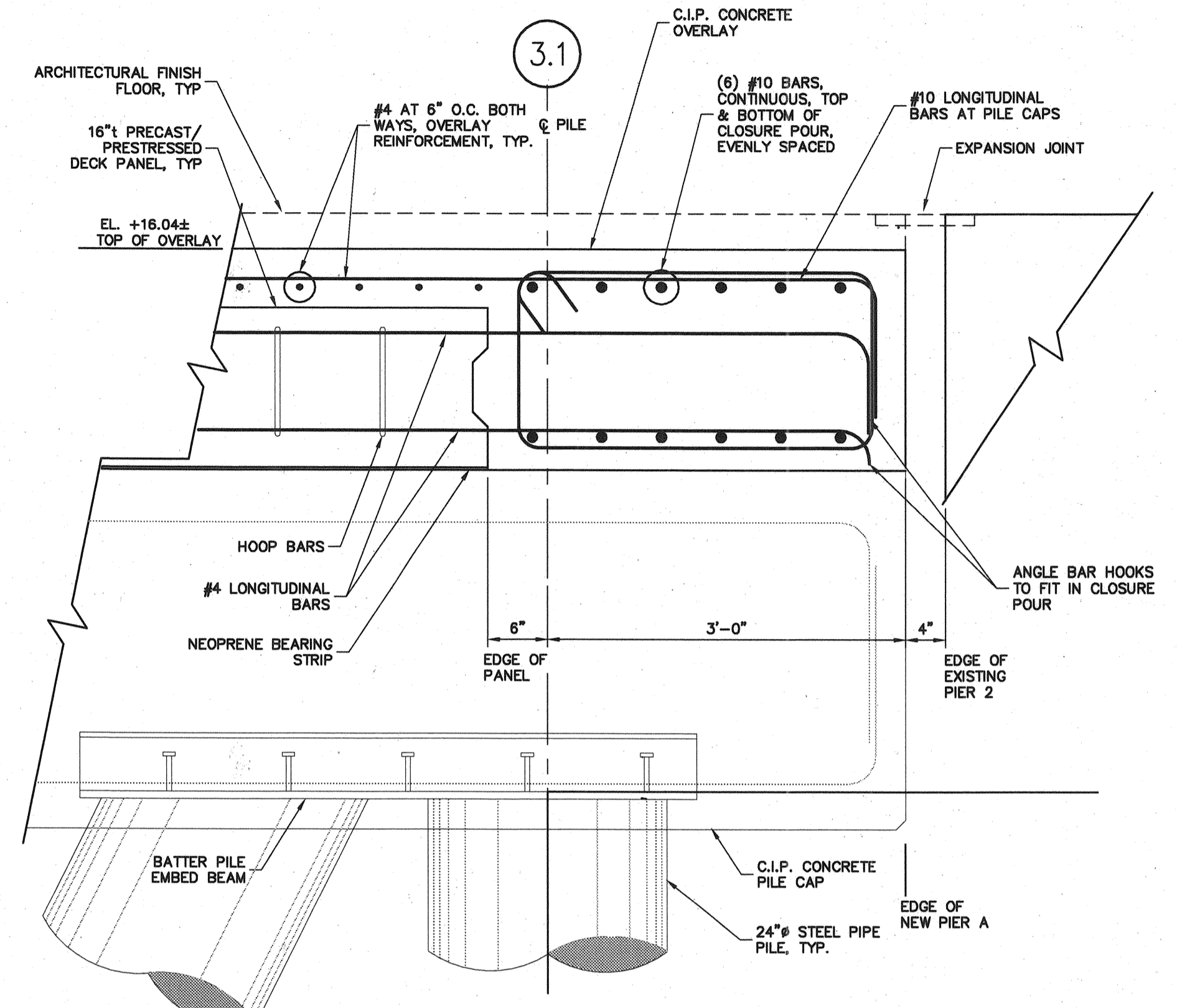
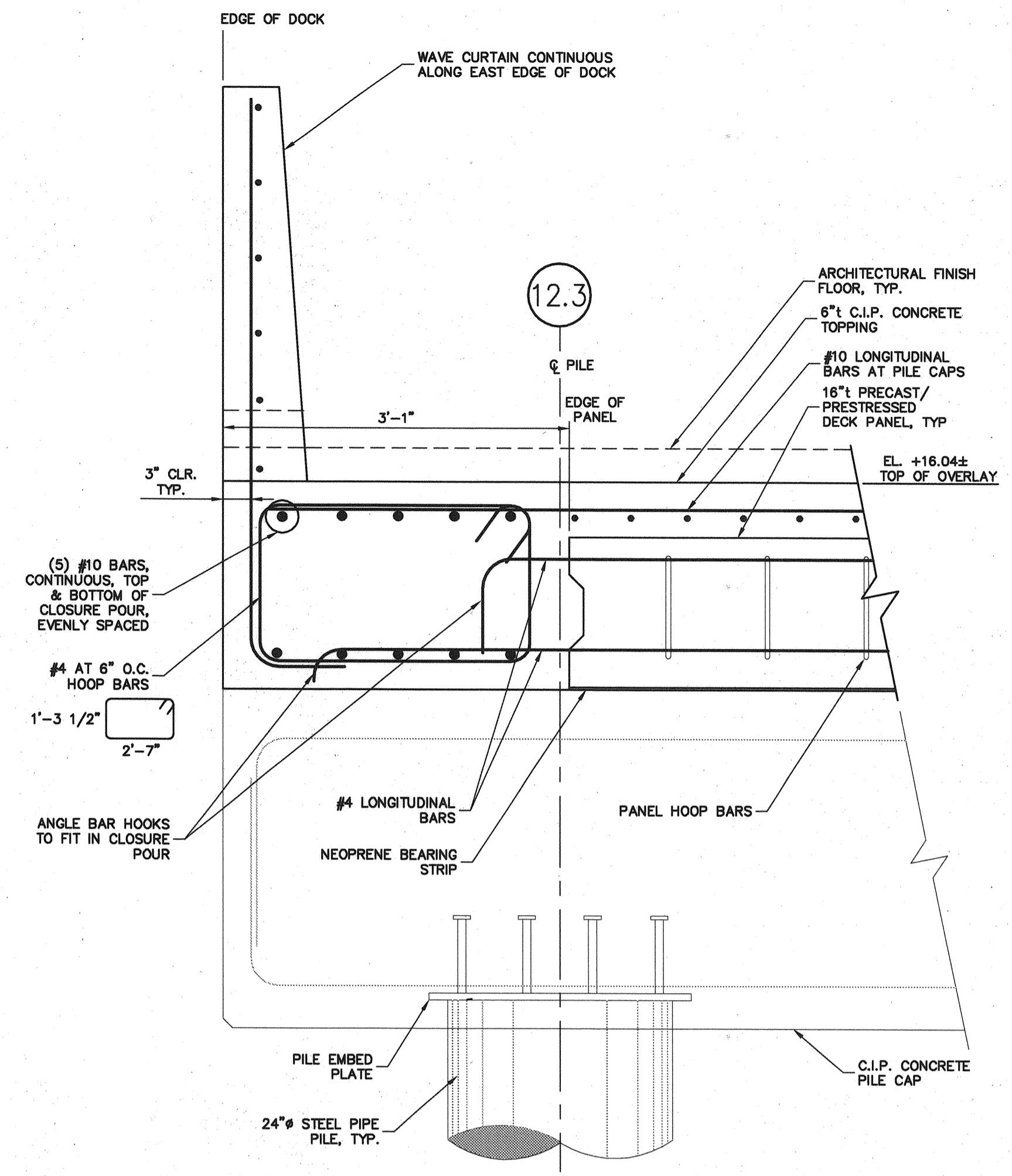


9/30/04  
Filename: 20343502-A-W302-100



BAR SIZE	MINIMUM LAP SPLICE LENGTH	HOOK LENGTH
#4	3'-4"	8"
#5	5'-2"	10"
#10	8'-6"	1'-10"

NOTE:  
ALL REBAR SHALL BE EPOXY COATED

811 First Avenue, Suite 570  
Seattle, Washington 98104  
Phone: (206) 424-1387  
Fax: (206) 424-1388  
E-Mail: rma@pdpinc.com

**CONSULTING ENGINEERS**  
**Incorporated**

STATE OF MAINE  
DEPARTMENT OF TRANSPORTATION  
PROJECT NUMBER 009215.00  
PIN 009215.00

DAVID M. PERCE  
REGISTERED PROFESSIONAL ENGINEER  
NO. 9437  
12/16/04  
DATE

PRJ. MANAGER	PAUL POTLIE	DATE	BY	REVISIONS
DESIGN-DETAILED	RJ	09/01/04	DH	1
CHECKED-REVIEWED	OT	09/01/04	DP	2
DESIGN2-DETAILED2				3
DESIGN3-DETAILED3				4
REVISIONS 1				
REVISIONS 2				
REVISIONS 3				
REVISIONS 4				
FIELD CHANGES				

CITY OF PORTLAND  
OCEAN GATEWAY PHASE 1  
PIER A  
DECK DETAILS

W302-A