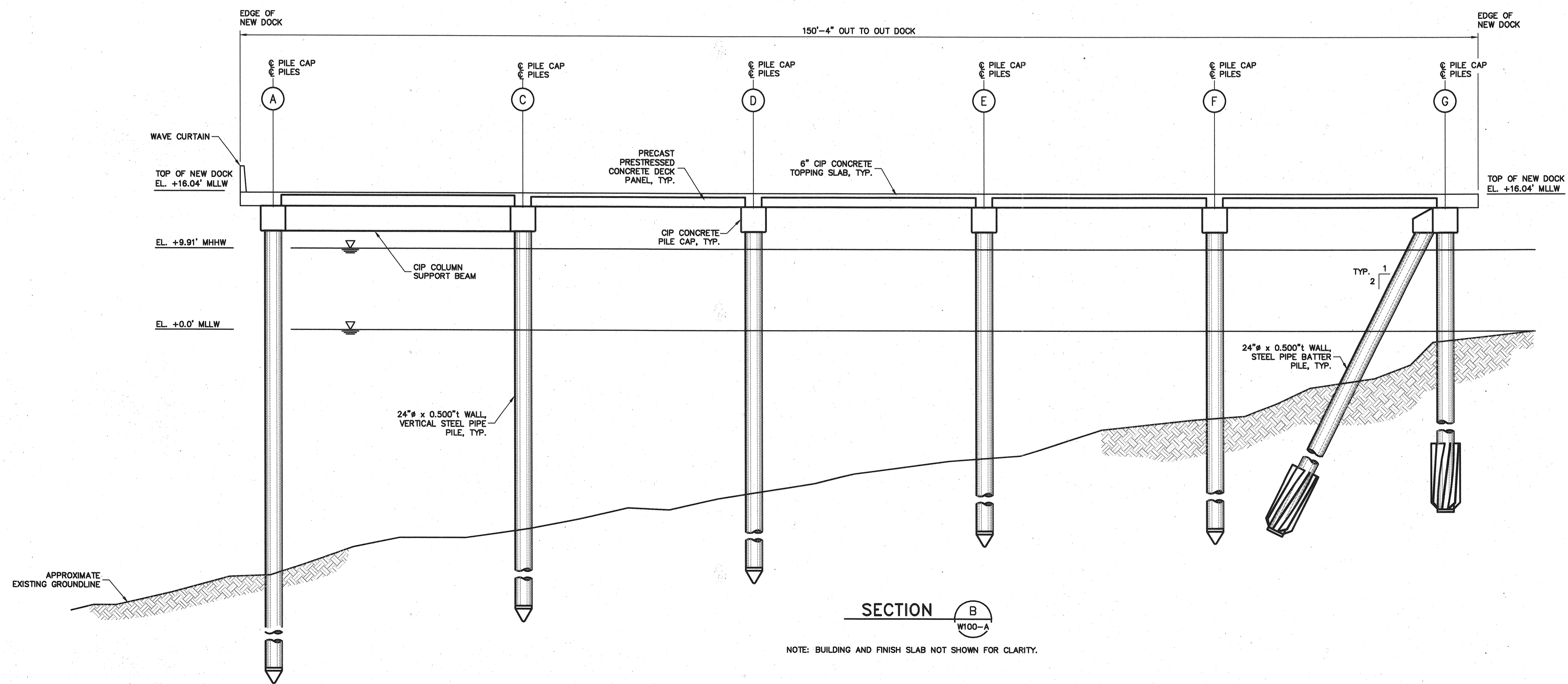


SECTION A
W100-A

NOTE: BUILDING AND FINISH SLAB NOT SHOWN FOR CLARITY.



SECTION B
W100-A

NOTE: BUILDING AND FINISH SLAB NOT SHOWN FOR CLARITY.

811 First Avenue, Suite 570
Seattle, Washington 98104
Phone: (206) 424-1387
Fax: (206) 424-1388
E-Mail: main@prades.com

D **N** **P** Incorporated

STATE OF MAINE
DEPARTMENT OF TRANSPORTATION
PROJECT NUMBER 009215.00
PIN 009215.00

SIGNATURE
P.E. NUMBER
DATE

DATE	BY	PROJ. MANAGER	PAUL POTLIE
09/01/04	DH	DESIGN-DETAILED	IRJ
09/01/04	DP	CHECKED-REVIEWED	OT
		DESIGN-2-DETAILED	2
		DESIGN-3-DETAILED	3
		REVISIONS	1
		REVISIONS	2
		REVISIONS	3
		REVISIONS	4
		FIELD CHANGES	

CITY OF PORTLAND
OCEAN GATEWAY PHASE 1
PIER A
SECTIONS

W200-A

9/02/04
Filename: 20343802-A-W200-100