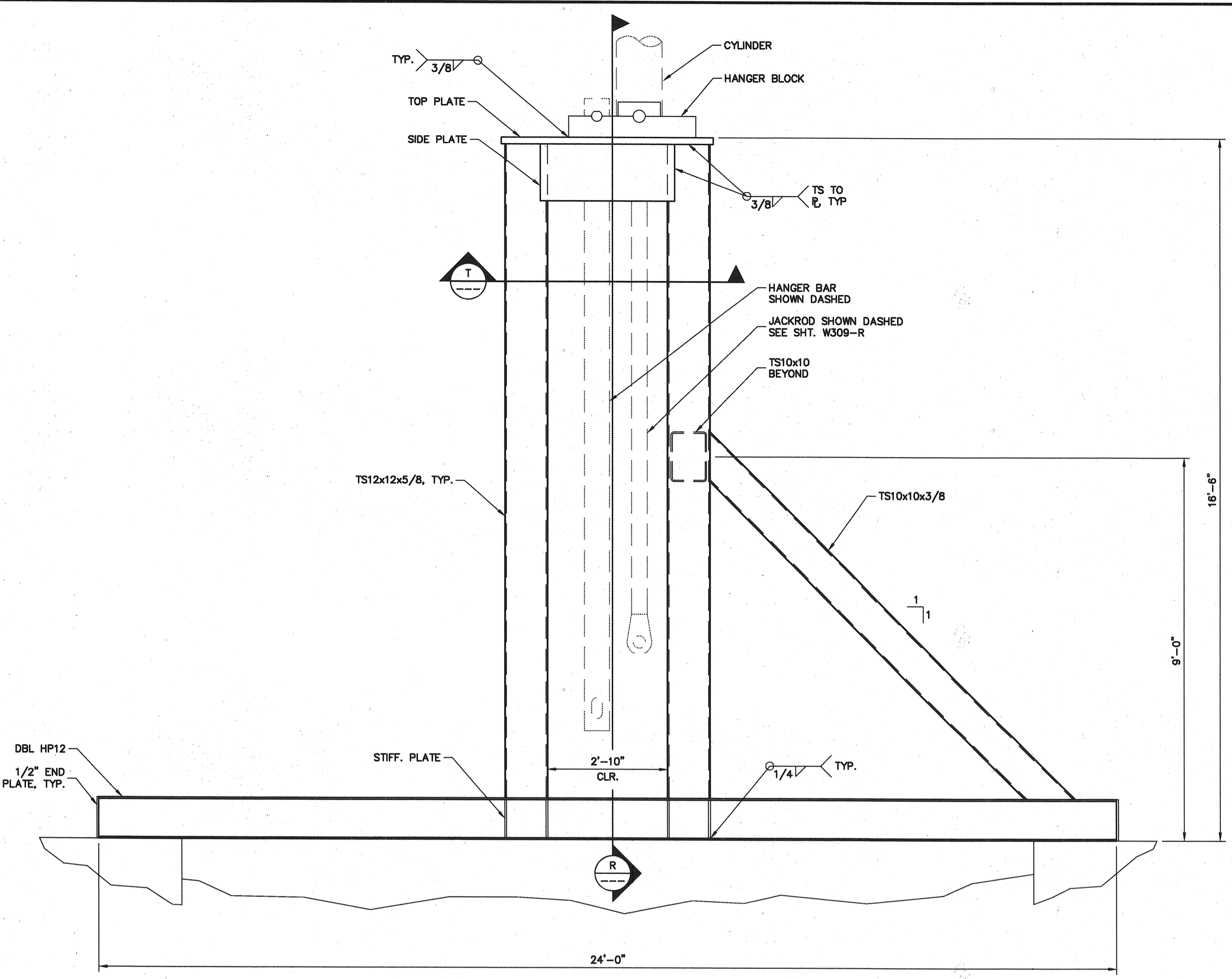
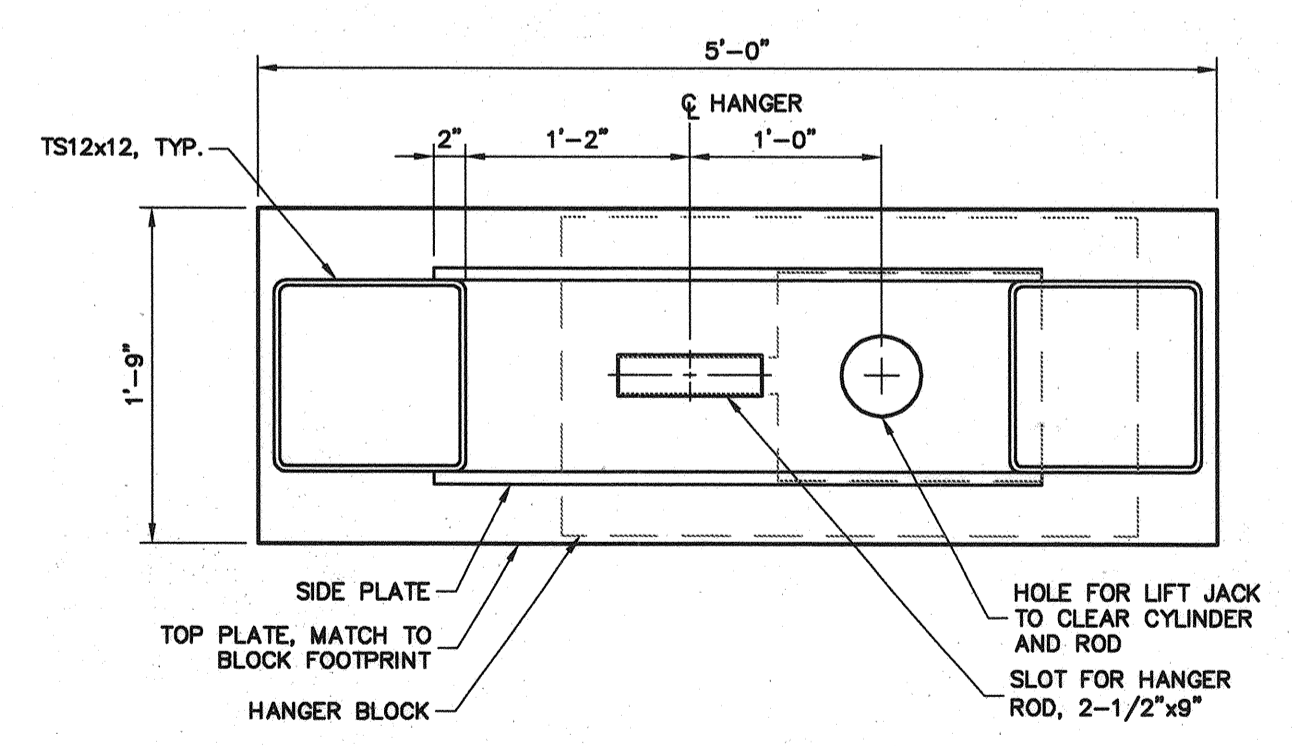


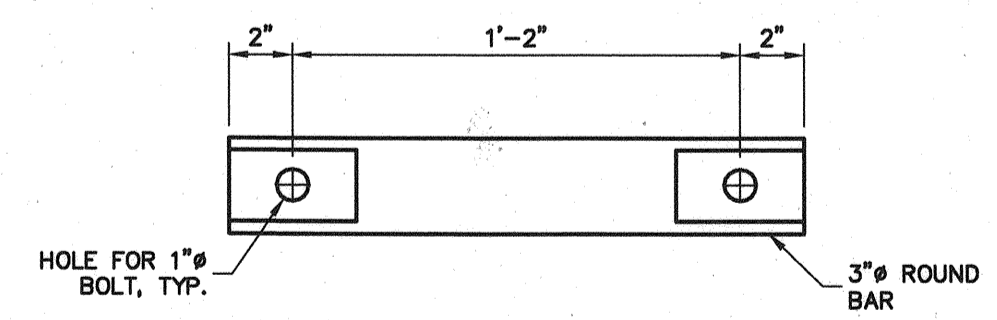
9/30/04
 Filename: 20343802-R-W307-100



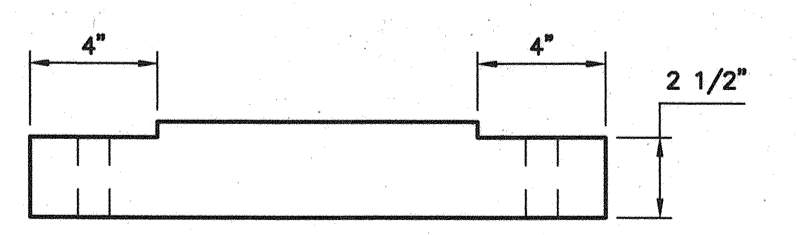
SIDE ELEVATION



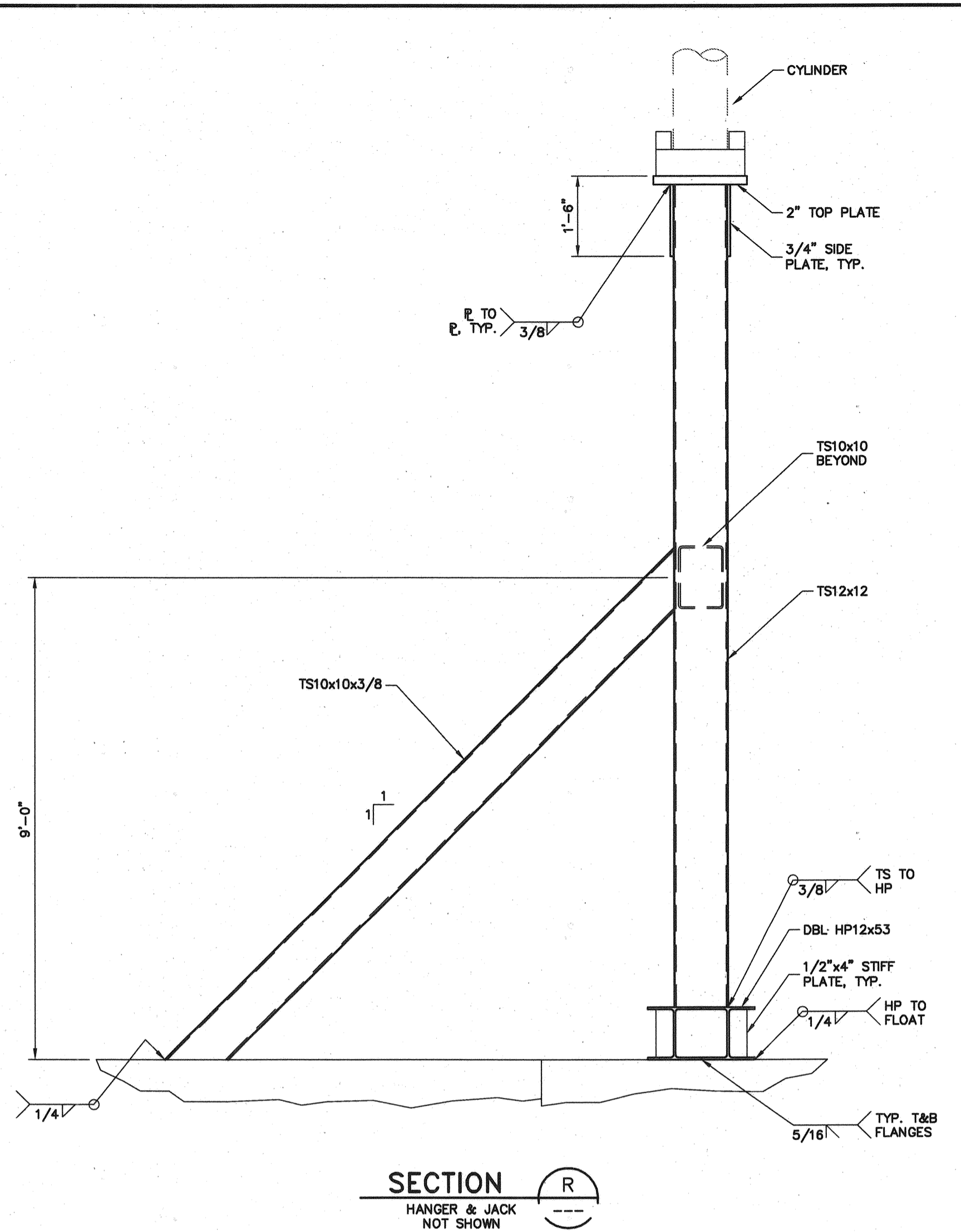
SECTION T



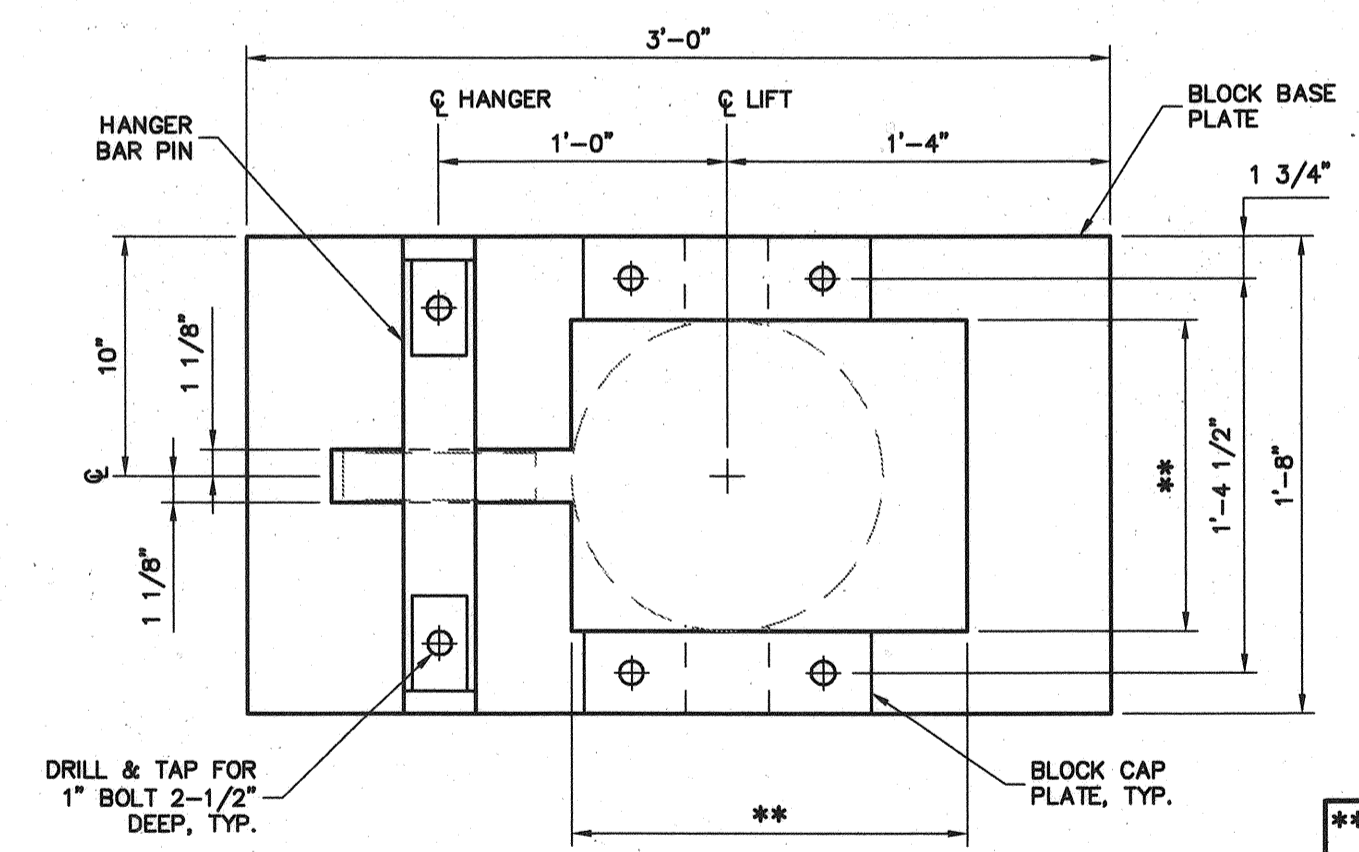
HANGER BAR PIN PLAN



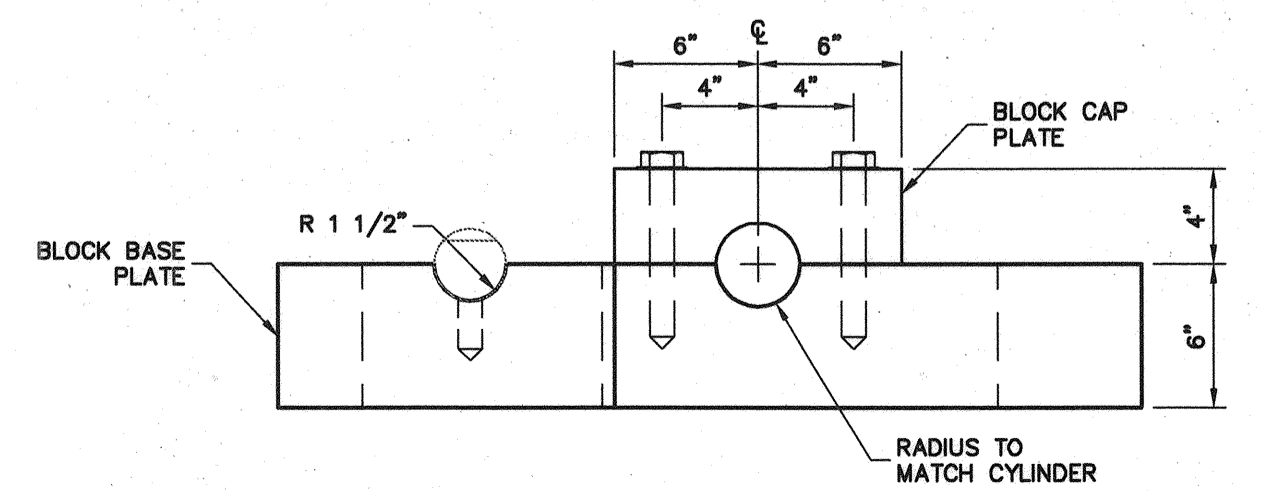
HANGER BAR PIN ELEVATION



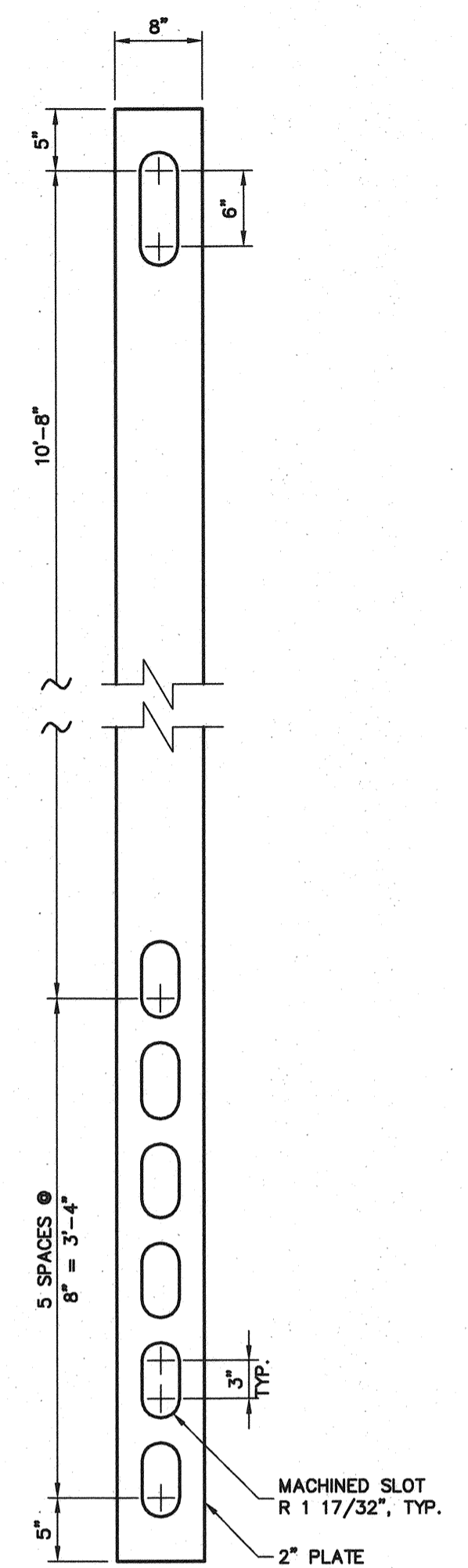
SECTION R
 HANGER & JACK
 NOT SHOWN



HANGER BLOCK PLAN
 HYDRAULIC CYLINDER AND HANGER BAR
 SHOWN DASHED



HANGER BLOCK ELEVATION



HANGER BAR

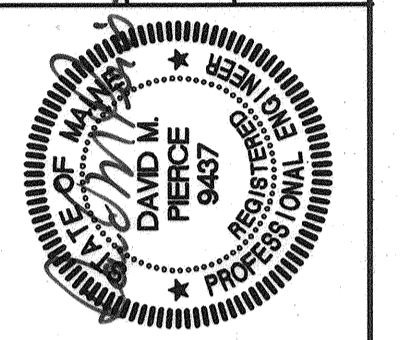
WELD NOTE:
 WELD ALL JOINTS W/
 5/16" FILET ALL AROUND
 UNLESS OTHERWISE NOTED

SURFACE NOTE:
 ALL MACHINE SURFACES
 SHALL HAVE SMOOTHNESS
 OF 125 MICRO INCHES
 UNLESS NOTED.

811 First Avenue, Suite 570
 Seattle, Washington 98104
 Phone: (206) 424-1387
 Fax: (206) 424-1388
 E-Mail: info@pne.com

INCORPORATED
ENGINEERS

STATE OF MAINE
 DEPARTMENT OF TRANSPORTATION
 PROJECT NUMBER 009215.00
 PIN
 009215.00



PROJ. MANAGER	PAUL POTLIE	DATE
DESIGN-DETAILED	TN	09/01/04
CHECKED-REVIEWED	RJ	09/01/04
DESIGN2-DETAILED2	DP	
DESIGN3-DETAILED3		
REVISIONS 1		
REVISIONS 2		
REVISIONS 3		
REVISIONS 4		
FIELD CHANGES		

CITY OF PORTLAND
 OCEAN GATEWAY PHASE 1
 TOWER

W307-R