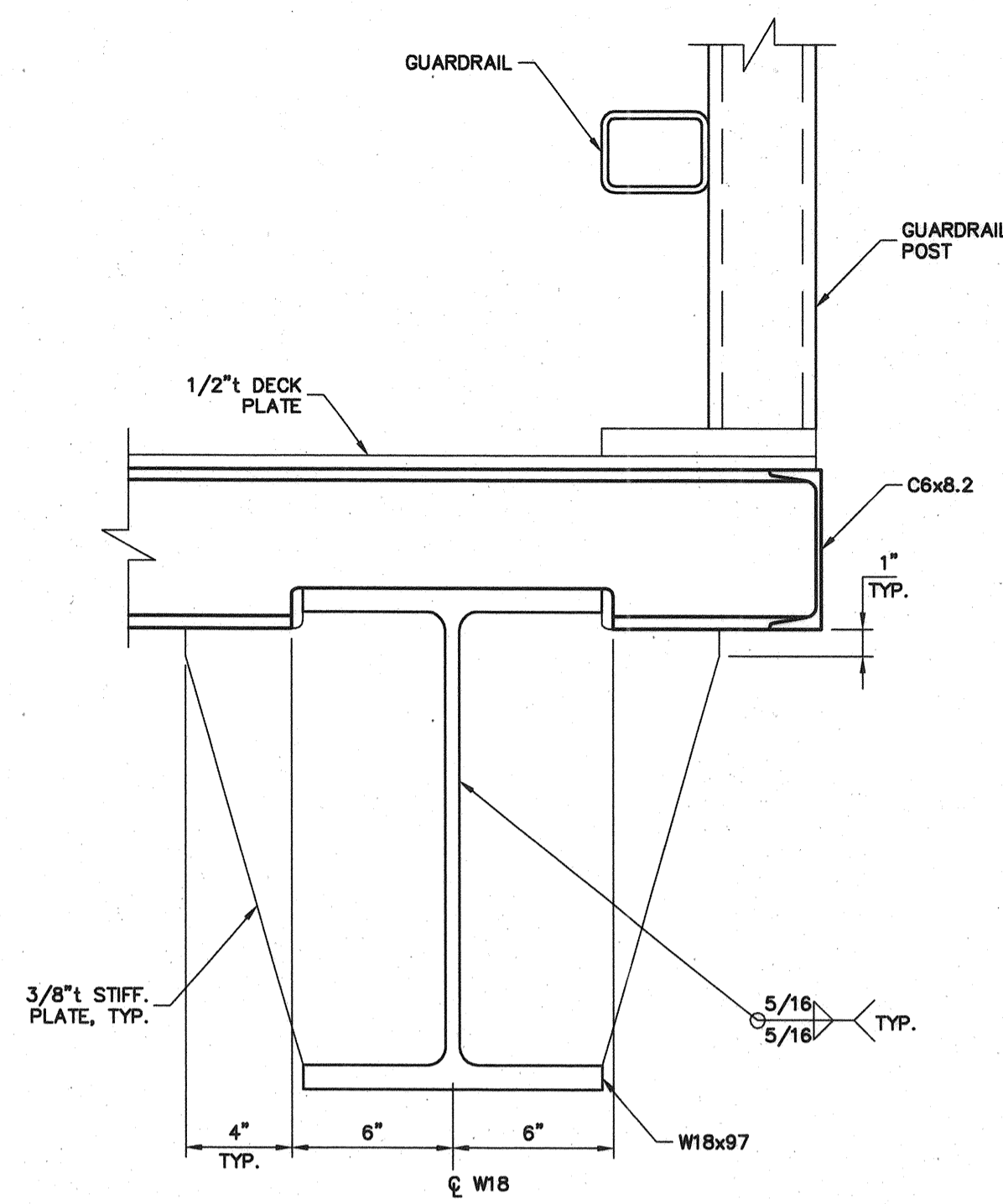
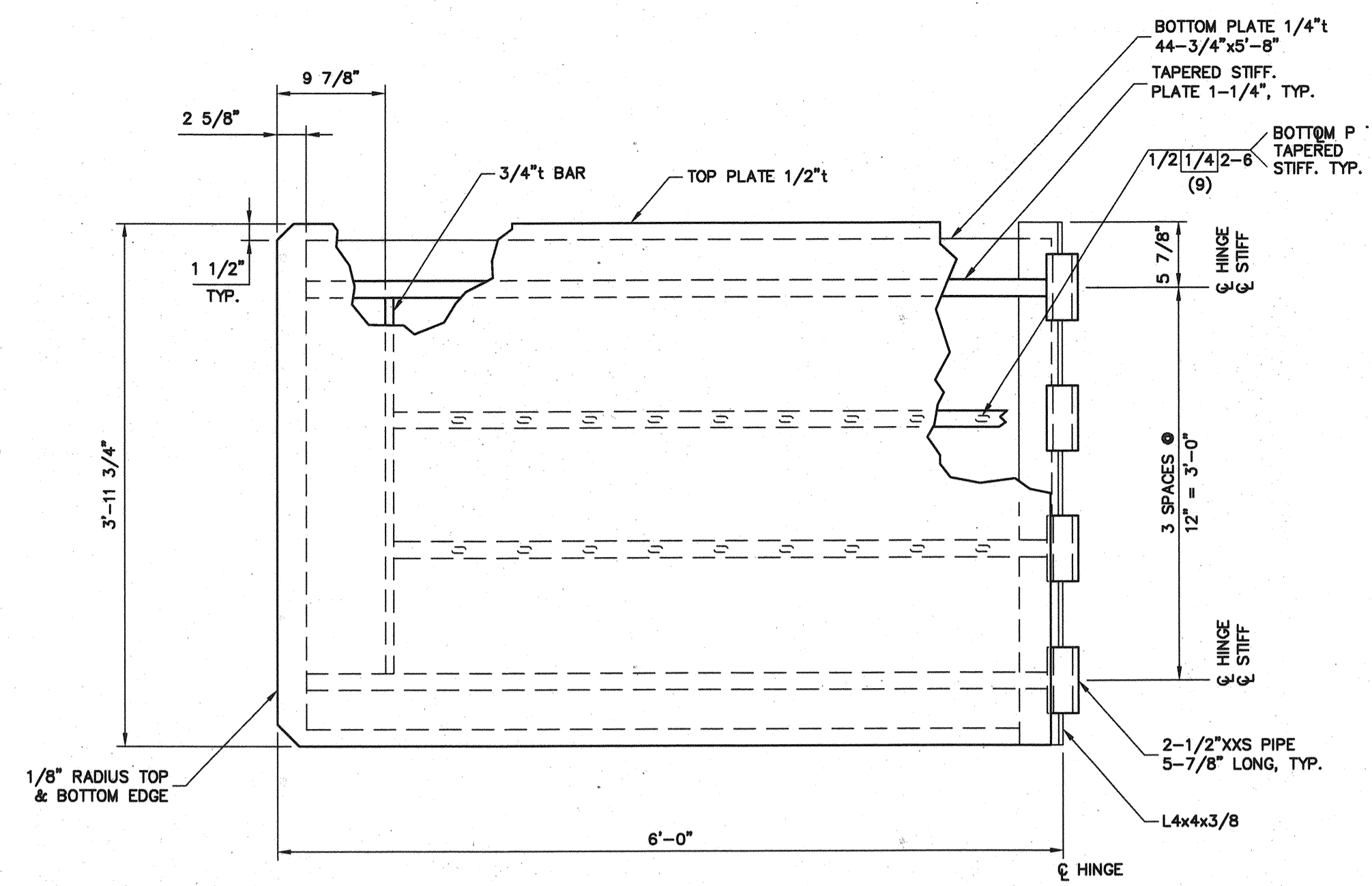


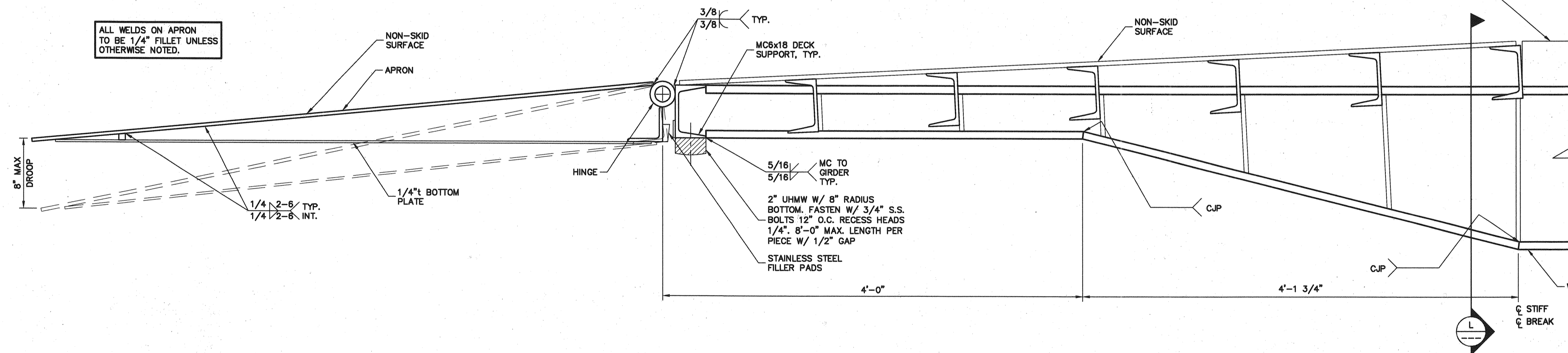
SECTION **K**
W304-R



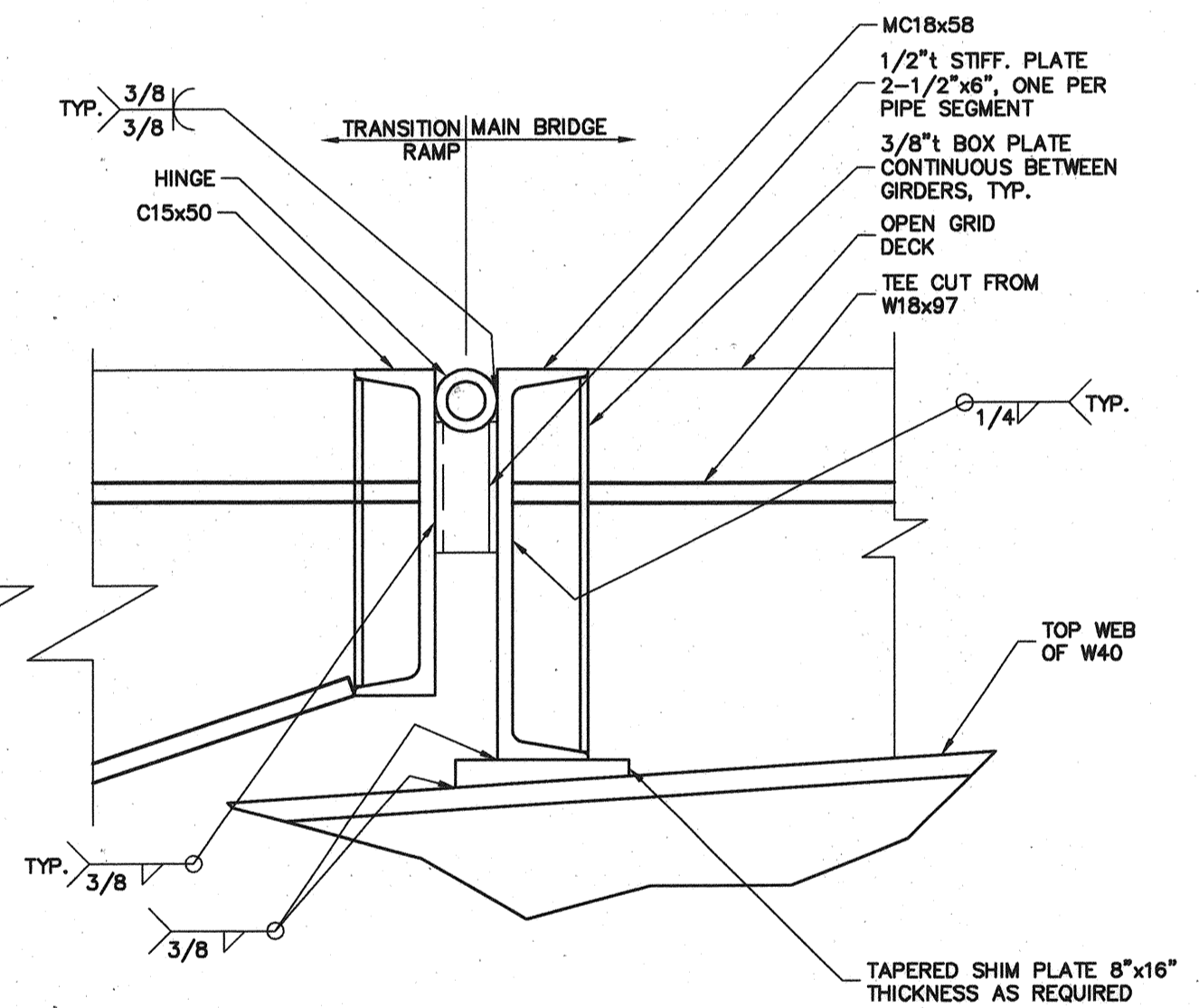
SECTION **L**



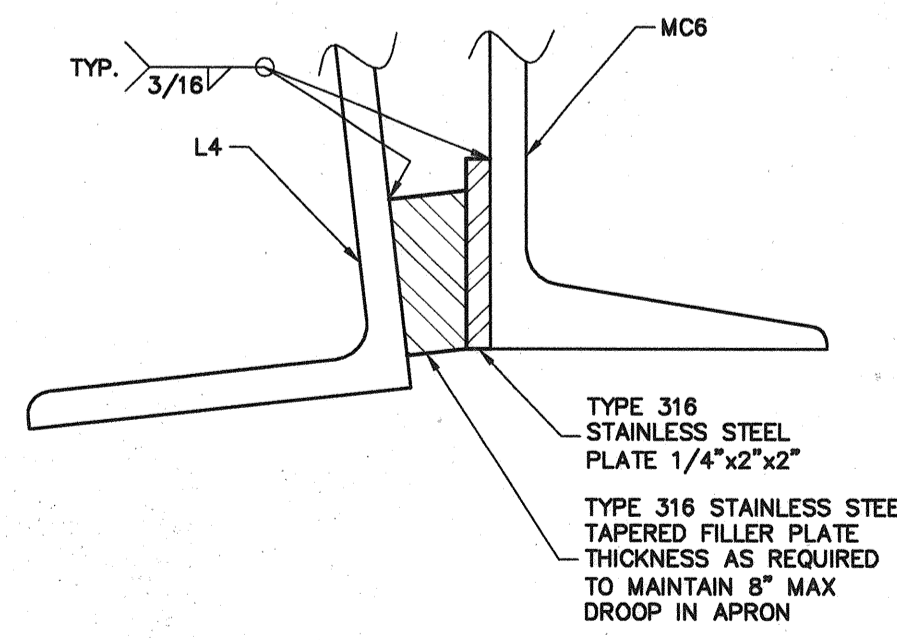
TYPICAL APRON PLAN



TRANSITION RAMP TYPICAL SECTION



ALL WELDS ON APRON TO BE 1/4" FILLET UNLESS OTHERWISE NOTED.



FILLER PADS

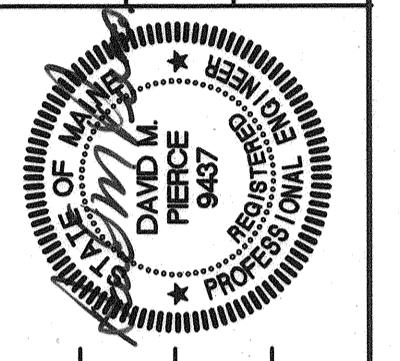
TRANSITION RAMP WELD NOTE:
ALL JOINTS SHALL BE WELDED CONTINUOUS ALL AROUND UNLESS OTHERWISE NOTED.
ALL FILLET WELDS SHALL BE 5/16" OR EQUIVALENT BEVEL UNLESS OTHERWISE NOTED.
ALL BUTT WELD JOINTS SHALL BE COMPLETE JOINT PENETRATION (CJP) WELDED.

HINGE NOTE:
2-1/2" XXS PIPE SEGMENTS
PIN: 1-1/2" ROUND BAR TYPE 316 STAINLESS STEEL.
RETAINERS: STAINLESS STEEL PLATE WASHERS AND 3/8" TYPE 316 STAINLESS STEEL COTTER PINS.

811 First Avenue, Suite 570
Seattle, Washington 98104
Phone: (206) 424-1387
Fax: (206) 424-1386
E-Mail: info@pdpinc.com

PDP Incorporated
ENGINEERS

STATE OF MAINE
DEPARTMENT OF TRANSPORTATION
PROJECT NUMBER 009215.00
PIN 009215.00



SIGNATURE
P.E. NUMBER 9437
DATE 10/6/04

PROJ. MANAGER	PAUL POTLIE	DATE	BY	DATE
DESIGN-DETAILED	TN	09/01/04	GD	09/01/04
CHECKED-REVIEWED	RJ		DP	
DESIGN-DETAILED				
DESIGN-DETAILED				
REVISIONS				
REVISIONS				
REVISIONS				
REVISIONS				
FIELD CHANGES				

CITY OF PORTLAND
OCEAN GATEWAY PHASE 1
TRANSITION RAMP DETAILS

W305-R