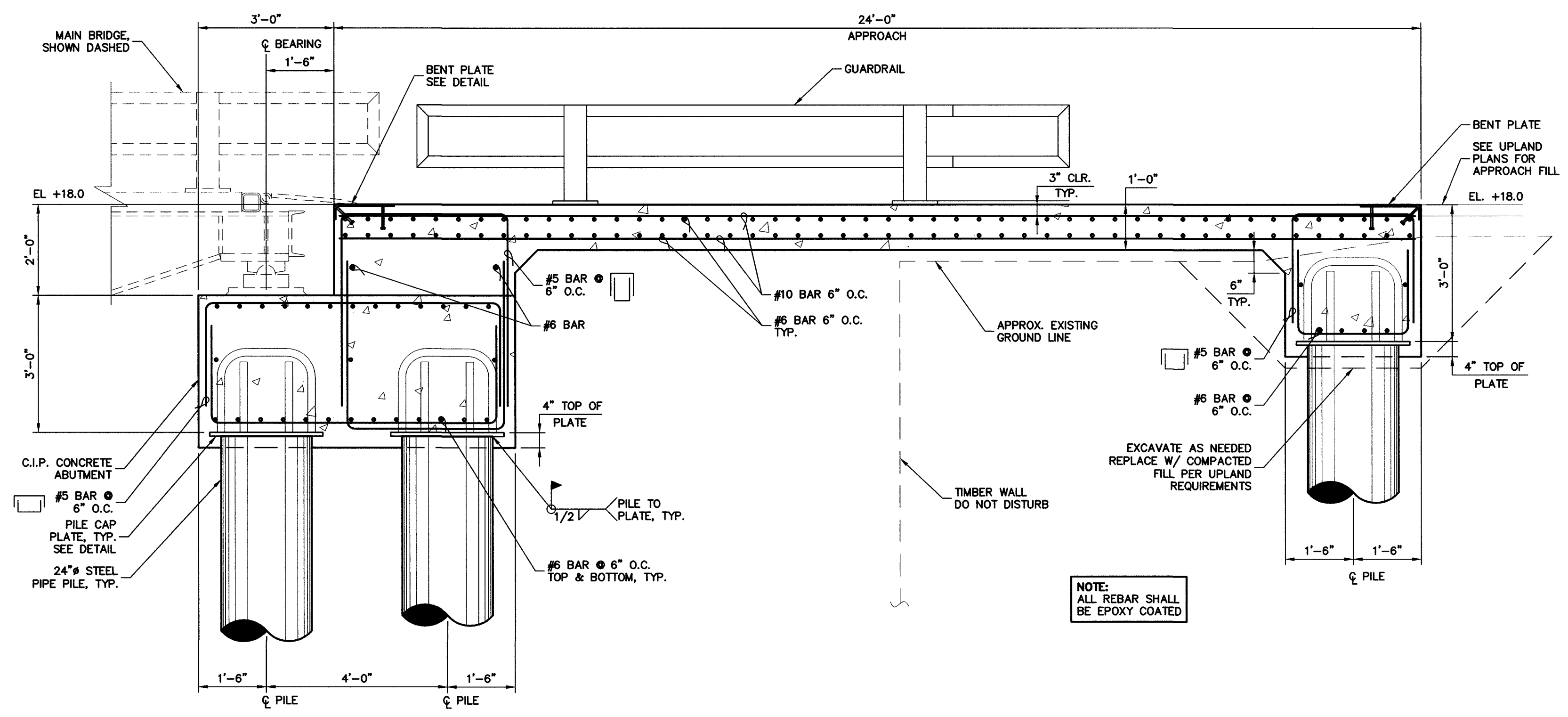
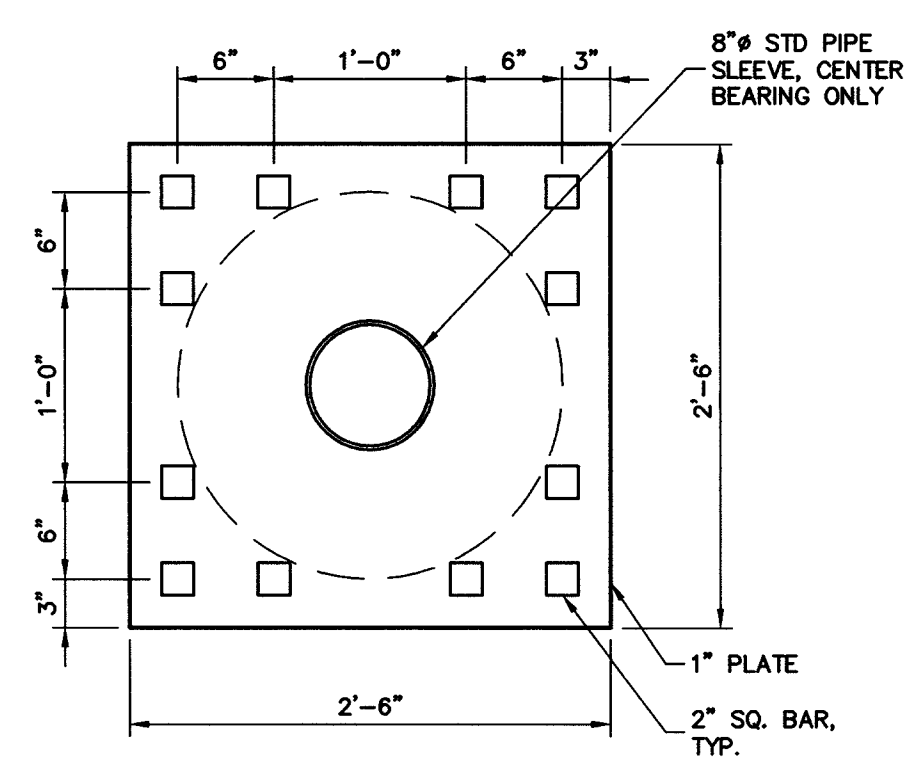


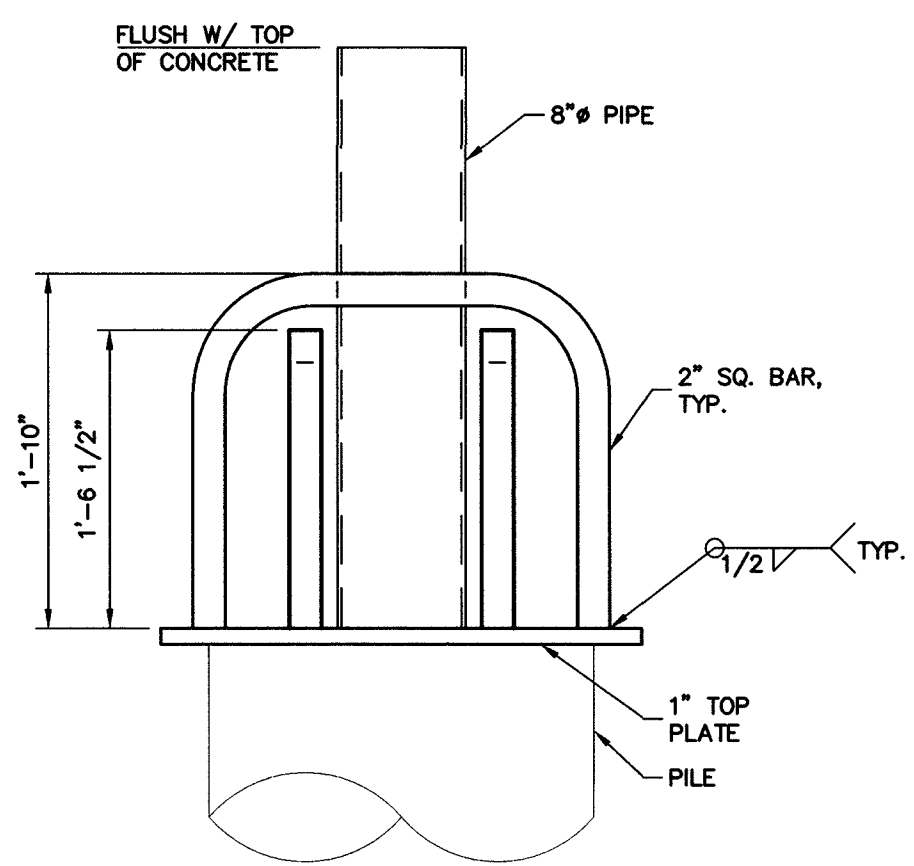
ABUTMENT PLAN



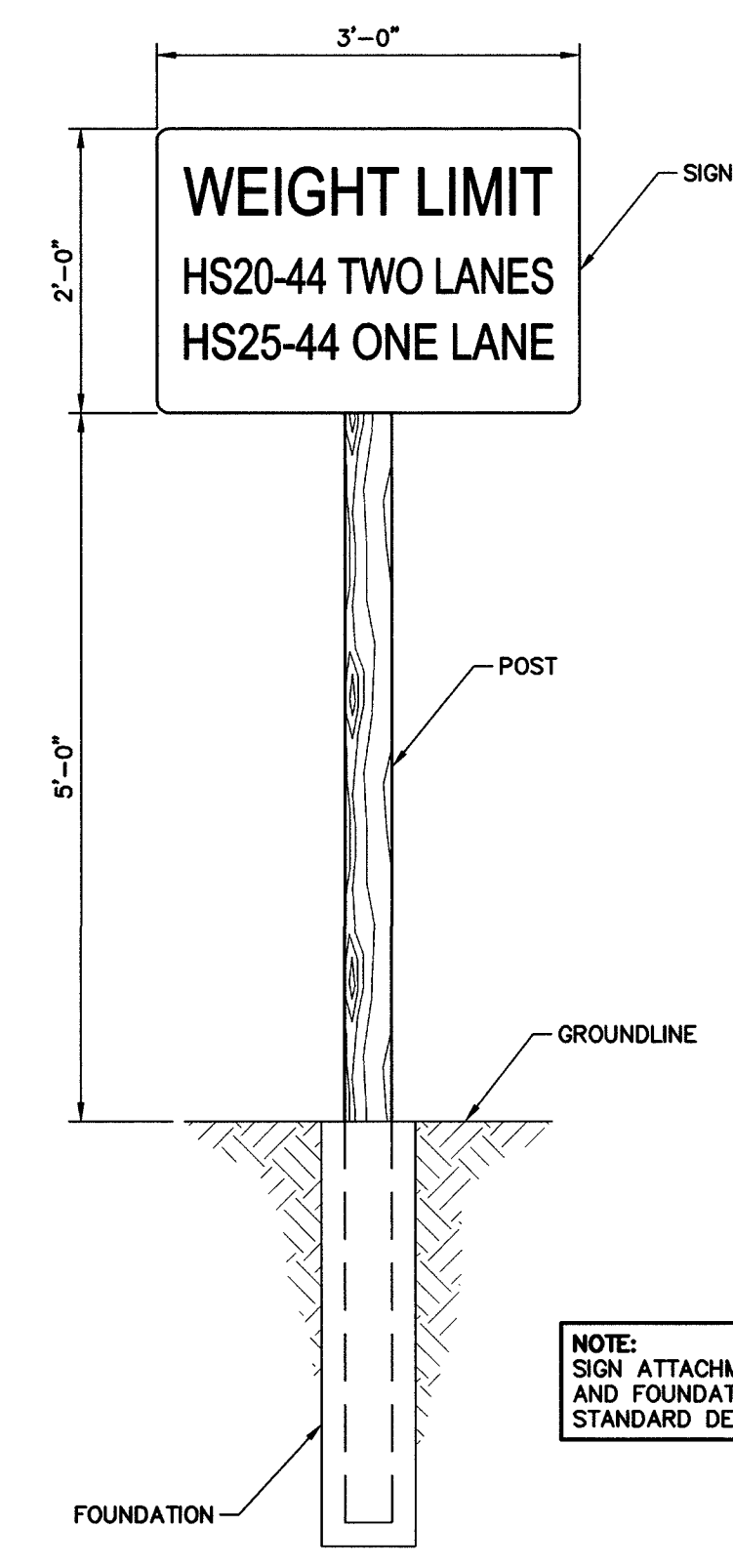
TYPICAL SECTION



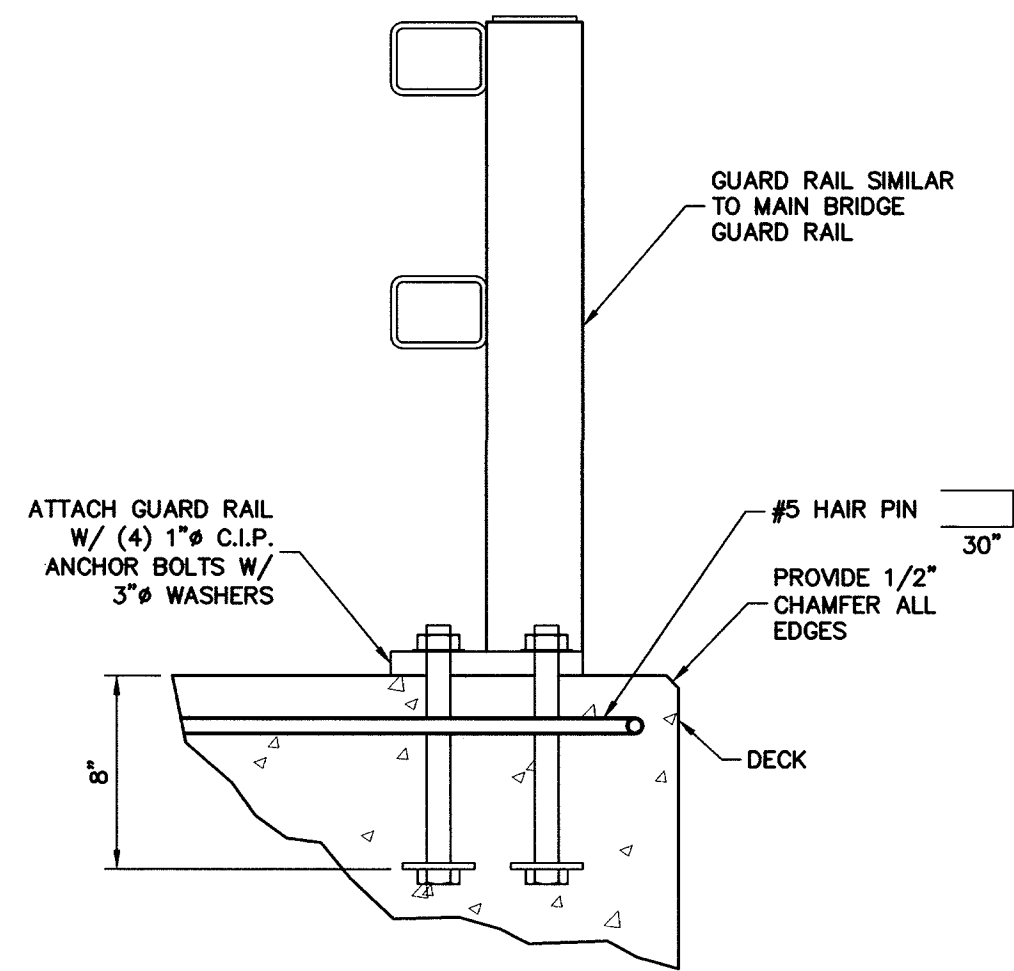
PILE CAP PLATE ASSEMBLY PLAN



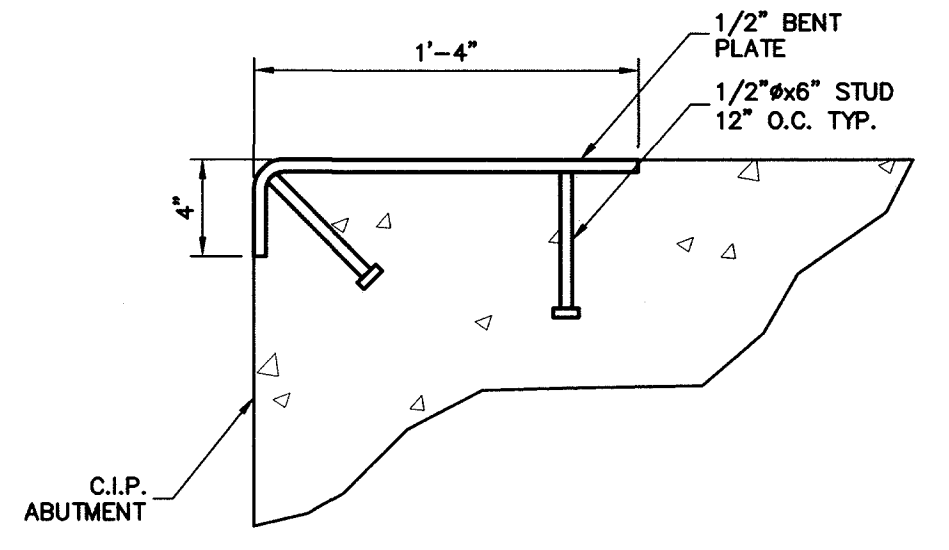
PILE CAP PLATE ASSEMBLY ELEVATION



WEIGHT LIMIT SIGN



GUARDRAIL ELEVATION



BENT PLATE

PROVIDE AT EACH END OF APPROACH

811 First Avenue, Suite 570
 Seattle, Washington 98104
 Phone: (206) 624-1387
 Fax: (206) 624-1388
 E-Mail: mail@pndee.com



STATE OF MAINE
DEPARTMENT OF TRANSPORTATION
 PROJECT NUMBER 009215.00
 PIN 009215.00

PROJ. MANAGER	PAUL POTTLE	IN	TD	BY	DATE
DESIGN-DETAILED	TN	GO	DP		1/13/05
CHECKED-REVIEWED	RJ				1/13/05
DESIGN-DETAILED2					
DESIGN-DETAILED3					
REVISIONS 1					
REVISIONS 2					
REVISIONS 3					
REVISIONS 4					
FIELD CHANGES					

CITY OF PORTLAND
OCEAN GATEWAY PHASE 1
ABUTMENT & APPROACH SLAB

W300-R
 73 OF 288