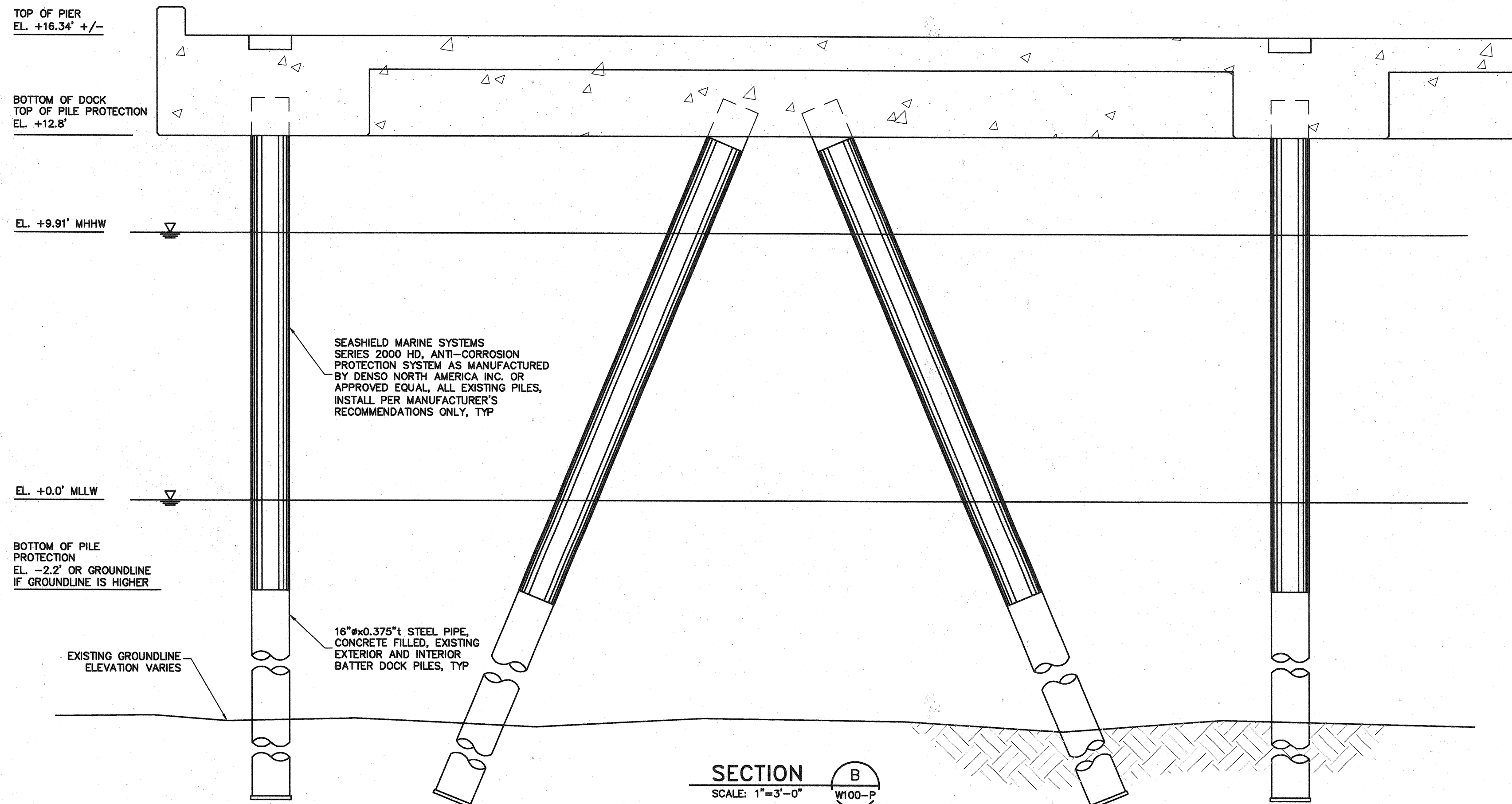


**SECTION A**  
 SCALE: 1"=3'-0"  
 W100-P  
 NOTE: FENDERS NOT SHOWN FOR CLARITY.



**SECTION B**  
 SCALE: 1"=3'-0"  
 W100-P  
 NOTE: FENDERS NOT SHOWN FOR CLARITY.

SEASHIELD MARINE SYSTEMS  
 SERIES 2000 HD, ANTI-CORROSION  
 PROTECTION SYSTEM AS MANUFACTURED  
 BY DENSO NORTH AMERICA INC. OR  
 APPROVED EQUAL, ALL EXISTING PILES,  
 INSTALL PER MANUFACTURER'S  
 RECOMMENDATIONS ONLY, TYP

16"Øx0.375"t STEEL PIPE,  
 CONCRETE FILLED, EXISTING  
 EXTERIOR DOCK PILES, TYP

14"Øx0.375"t OR  
 16"Øx0.375"t STEEL PIPE,  
 CONCRETE FILLED, EXISTING  
 INTERIOR DOCK PILES, TYP

SEASHIELD MARINE SYSTEMS  
 SERIES 2000 HD, ANTI-CORROSION  
 PROTECTION SYSTEM AS MANUFACTURED  
 BY DENSO NORTH AMERICA INC. OR  
 APPROVED EQUAL, ALL EXISTING PILES,  
 INSTALL PER MANUFACTURER'S  
 RECOMMENDATIONS ONLY, TYP

16"Øx0.375"t STEEL PIPE,  
 CONCRETE FILLED, EXISTING  
 EXTERIOR AND INTERIOR  
 BATTER DOCK PILES, TYP

811 First Avenue, Suite 570  
 Seattle, Washington 98104  
 Phone: (206) 624-1387  
 Fax: (206) 624-1388  
 E-Mail: mail@prsdca.com

**P** | **N** | **D** | **E**  
**Incorporated**

**CONSULTING ENGINEERS**

STATE OF MAINE  
 DEPARTMENT OF TRANSPORTATION

PROJECT NUMBER 009215.00  
 PIN 009215.00

STATE OF MAINE  
 DEPARTMENT OF TRANSPORTATION  
 PROFESSIONAL ENGINEER  
 No. 9437  
 PERCE  
 12/6/04  
 DATE

PROJ. MANAGER	PAUL POTTLE	DATE
DESIGN-DETAILED	TWB	09/01/04
CHECKED-REVIEWED	DP	09/01/04
DESIGN2-DETAILED2		
DESIGN3-DETAILED3		
REVISIONS 1		
REVISIONS 2		
REVISIONS 3		
REVISIONS 4		
FIELD CHANGES		

CITY OF PORTLAND  
 OCEAN GATEWAY PHASE 1  
 PIER 2 - EXISTING PILE PROTECTION  
 SECTIONS

W200-P  
 68 OF 288