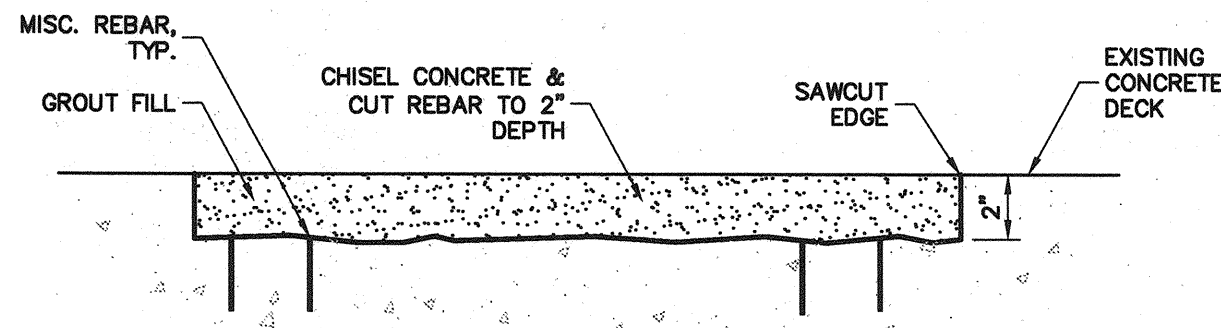
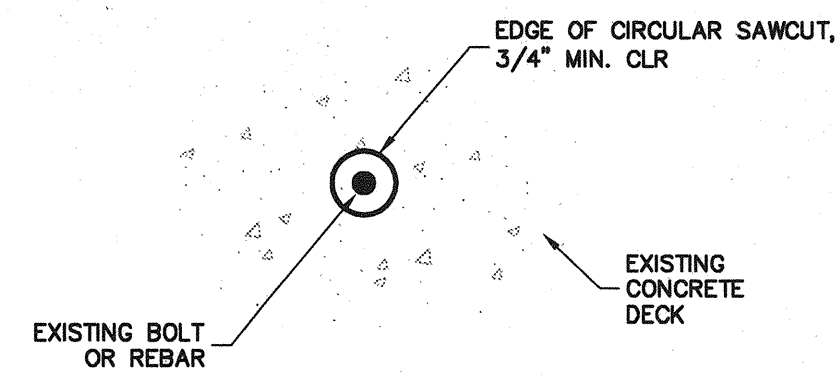


PLAN

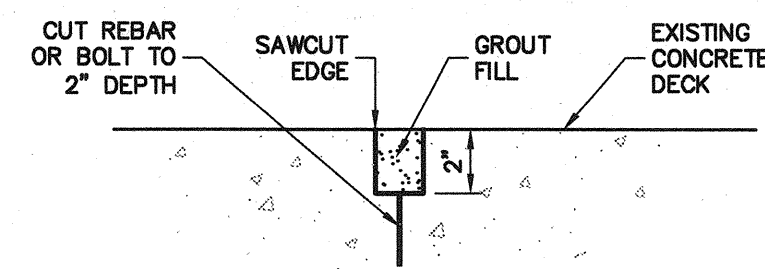


SECTION

**A** CRANE RAIL STOP  
 N.T.S.

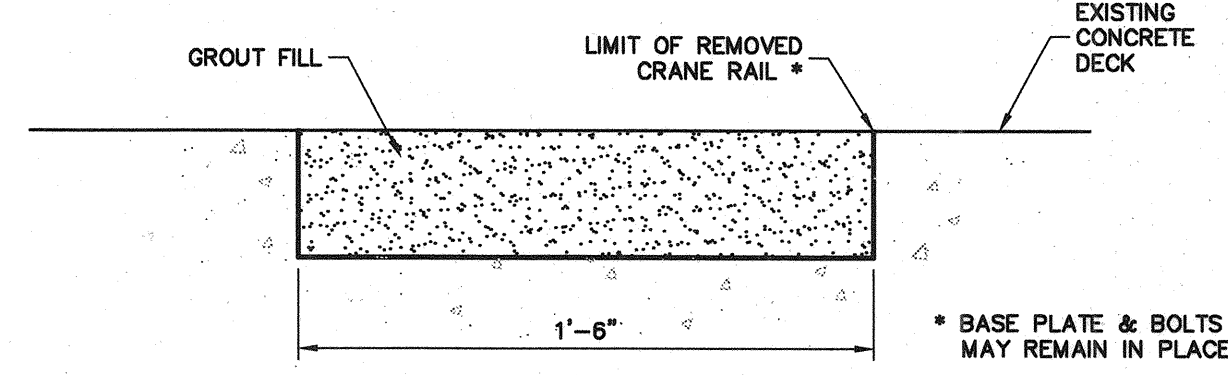


PLAN



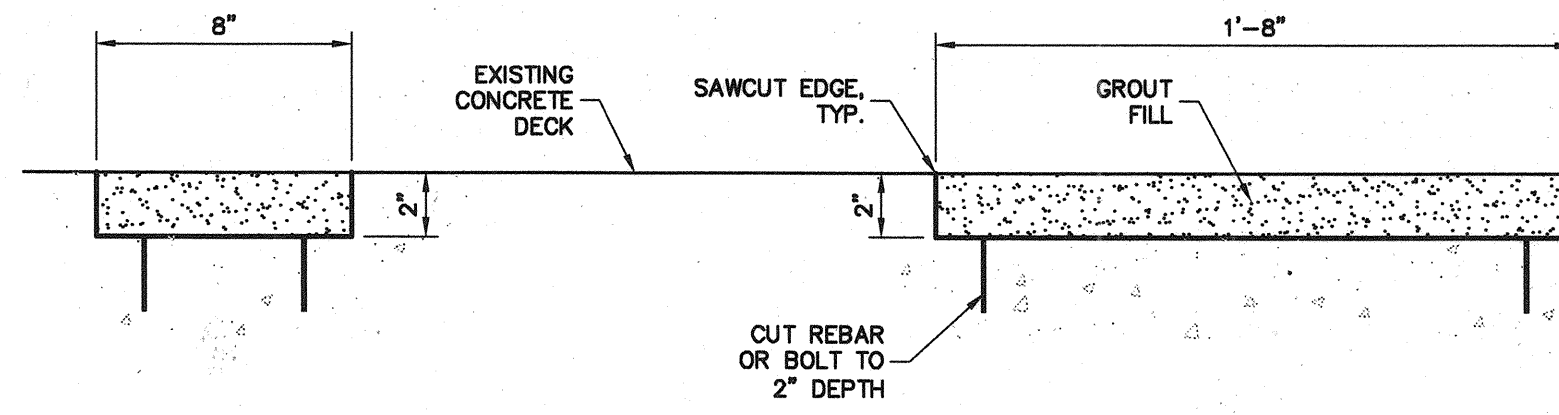
SECTION

**B** BOLT DEMOLITION  
 N.T.S.



SECTION

**C** CRANE RAIL CLOSURE  
 N.T.S.



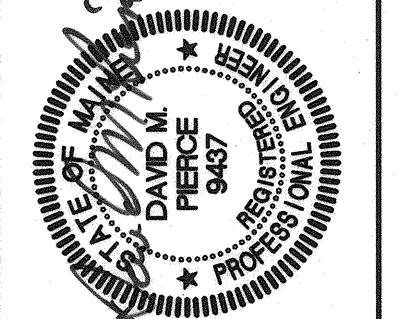
SECTION

**D** UTILITY CORRIDOR CURB  
 N.T.S.

811 First Avenue, Suite 570  
 Seattle, Washington 98104  
 Phone: (206) 624-1387  
 Fax: (206) 624-1388  
 E-Mail: mail@pndea.com

**PND** CONSULTING ENGINEERS  
 Incorporated

STATE OF MAINE  
 DEPARTMENT OF TRANSPORTATION  
 PROJECT NUMBER 009215.00  
 PIN 009215.00



SIGNATURE  
 P.E. NUMBER 9497  
 DATE 12/6/04

PROJ. MGR.	MANAGER	PAUL POTTLE	DATE
DESIGN-DETAILED	TWB	DH	09/01/04
CHECKED-REVIEWED	DP	DP	09/01/04
DESIGN2-DETAILED2			
DESIGN3-DETAILED3			
REVISIONS 1			
REVISIONS 2			
REVISIONS 3			
REVISIONS 4			
FIELD CHANGES			

CITY OF PORTLAND  
 OCEAN GATEWAY PHASE 1  
 MARINE/WATER COMPONENTS  
 DEMOLITION DETAILS