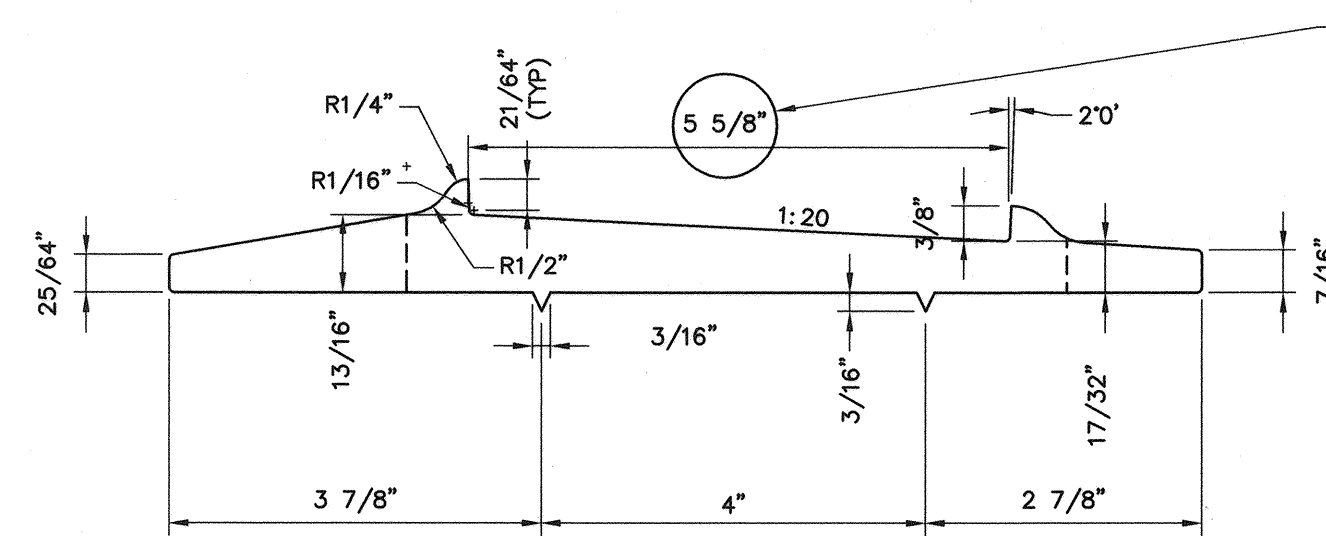


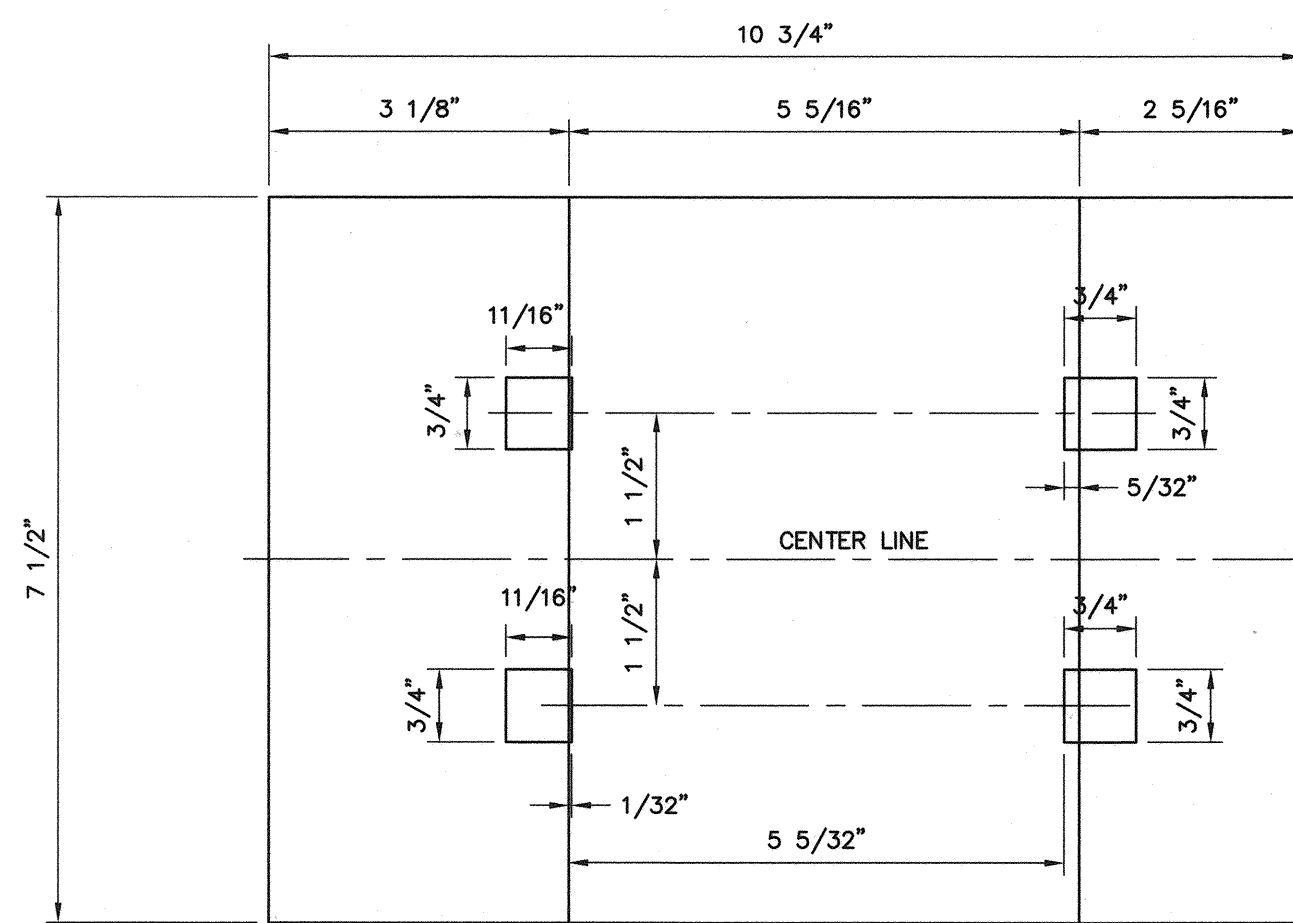
CIRCULAR CAMBER 10" RADIUS



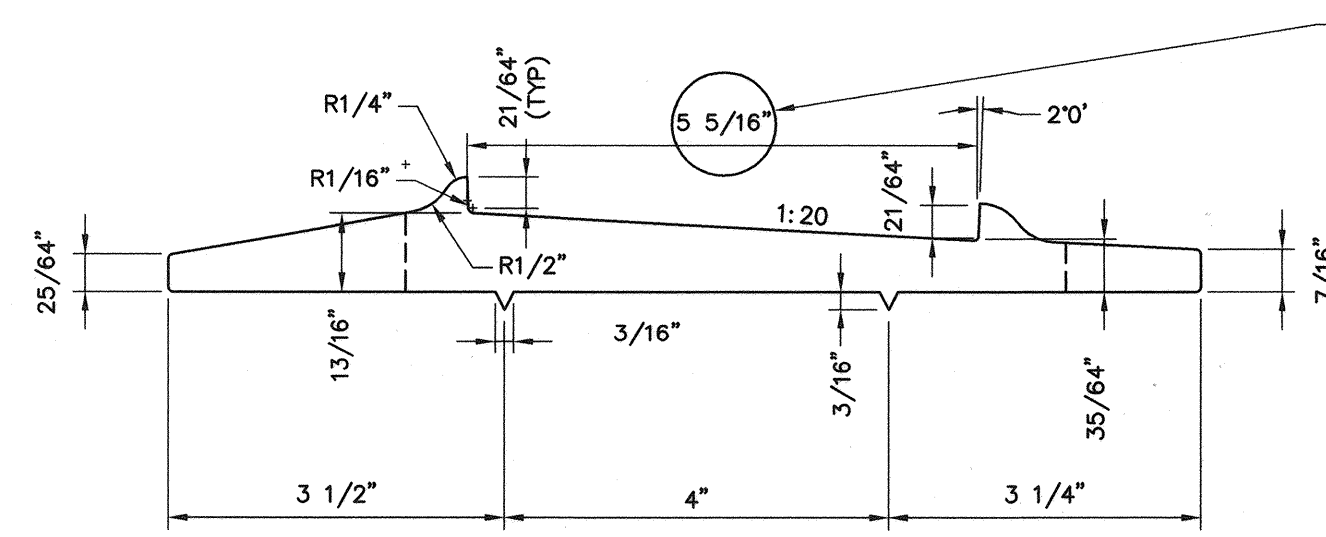
TOTAL ALLOWABLE TOLERANCE 3/64"

NOTES:  
 SPECIFICATIONS FOR STEEL TIE PLATES AS PER A.R.E.M.A. MANUAL.  
 OTHER ARRANGEMENT OF BOTTOM PLATE WILL BE ACCEPTED WHEN PRESENTED BY THE MANUFACTURER AND APPROVED BY RESIDENT.

**TIE PLATE FOR 100 LB ARA-A RAIL**  
 N.T.S.



CIRCULAR CAMBER 10" RADIUS



TOTAL ALLOWABLE TOLERANCE 3/64"

NOTES:  
 SPECIFICATIONS FOR STEEL TIE PLATES AS PER A.R.E.M.A. MANUAL.  
 OTHER ARRANGEMENT OF BOTTOM OF PLATE WILL BE ACCEPTED WHEN PRESENTED BY THE MANUFACTURER AND APPROVED BY RESIDENT.

**TIE PLATE FOR 85 LB A.S.C.E. RAIL**  
 N.T.S.

J.E. LANCASTER, P.E.  
 Railroad Engineering  
 PO Box 377, Gray, ME 04039-9377

STATE OF MAINE  
 DEPARTMENT OF TRANSPORTATION  
 PROJECT NUMBER 009215.00  
 PIN  
 009215.00

STATE OF MAINE  
 JEAN EMMONS  
 LANCASTER JR.  
 REGISTERED PROFESSIONAL ENGINEER  
 1729  
 SIGNATURE  
 P.E. NUMBER  
 DATE 10/8/04

PROJ. MANAGER	PAUL POTTLE	DATE
DESIGN-DRAWN	JEL	10/11/04
CHECKED-REVIEWED	JEL	10/11/04
DESIGN-DETAILED	JEL	
DESIGN-DETAILED		
DESIGN-DETAILED		
REVISIONS		
REVISIONS		
REVISIONS		
REVISIONS		
FIELD CHANGES		

CITY OF PORTLAND  
 OCEAN GATEWAY PHASE 1

RAILROAD DETAILS - 4

C410