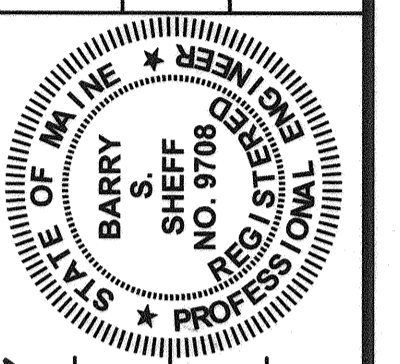


Filename: O:\203438 Ocean Gateway - Phase 1 Engineering\Project Deliverables\2004-10-27_issued for BID\CAD Drawings\Civil\20343802-C300A_XSEC.dwg, Oct 11, 2004 - 9:36am

WOODARD & CURRAN
 Engineering · Science · Operations
 41 Hutchins Drive · Portland, Maine 04102

STATE OF MAINE
 DEPARTMENT OF TRANSPORTATION
 PROJECT NUMBER 009215.00
 PIN
 009215.00

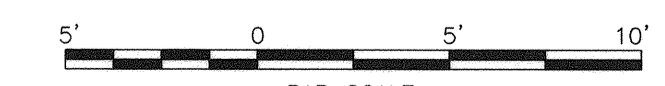
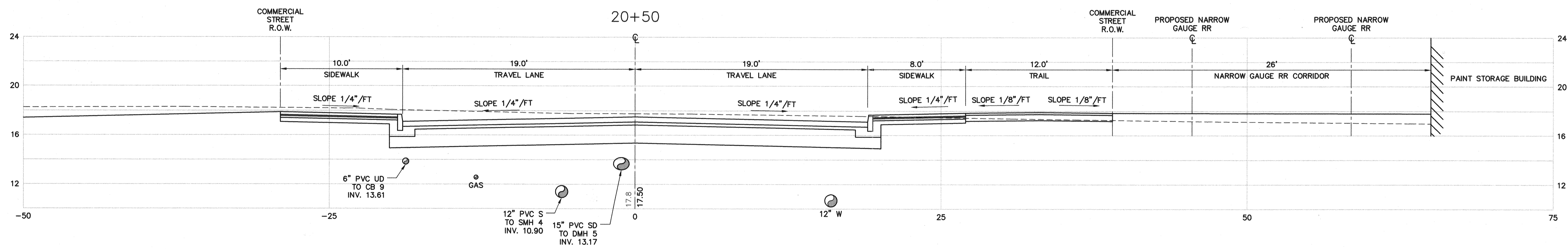
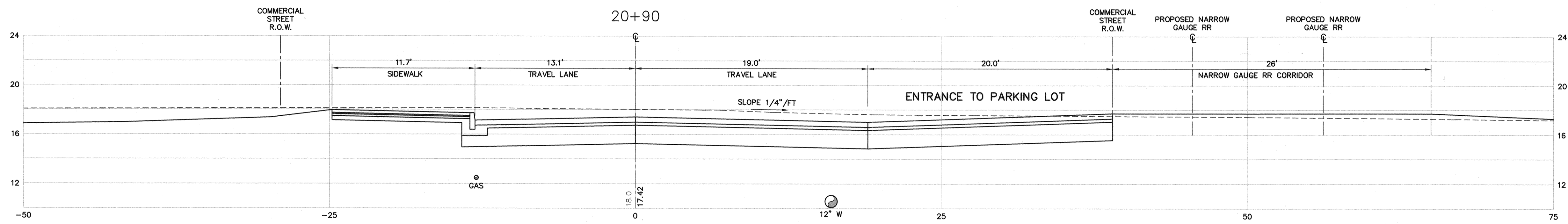
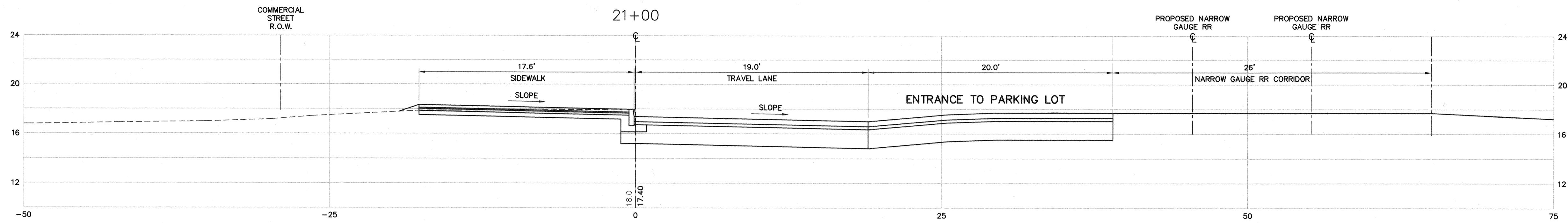


Barry S. Sheff
 SIGNATURE
 9708
 P.E. NUMBER
 10/11/04
 DATE

PROJ. MANAGER	PAUL POTTLE	DATE
DESIGN-DETAILED	DAS	10/11/04
CHECKED-REVIEWED	DAS	10/11/04
DESIGN-DETAILED	BSS	10/11/04
DESIGN-DETAILED	DAS	10/11/04
DESIGN-DETAILED	DAS	10/11/04
REVISIONS 1		
REVISIONS 2		
REVISIONS 3		
REVISIONS 4		
FIELD CHANGES		

CITY OF PORTLAND
 OCEAN GATEWAY PHASE 1
 COMMERCIAL STREET CROSS SECTIONS
 STA. 20+50 TO STA. 21+00

C306
 37 OF 288



1" = 5'
 CHECK GRAPHIC SCALE BEFORE USING
 MLLW = 0.00 FT = -4.57 FT NGVD 1929 (CITY DATUM)