

Filename: O:\203438 Ocean Gateway - Phase 1 Engineering\Project Deliverables\2004-10-27, issued for BID\CAD Drawings\Civil\20343802-C300A_XSEC.dwg, Oct 11, 2004 - 9:35am

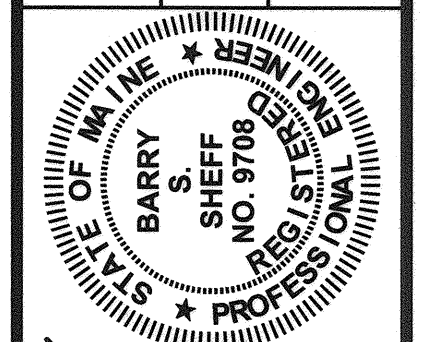


Engineering • Science • Operations
41 Hutchins Drive - Portland, Maine 04102

STATE OF MAINE
DEPARTMENT OF TRANSPORTATION

PROJECT NUMBER 009215.00

PIN
009215.00



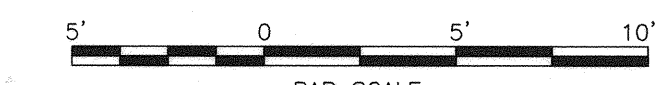
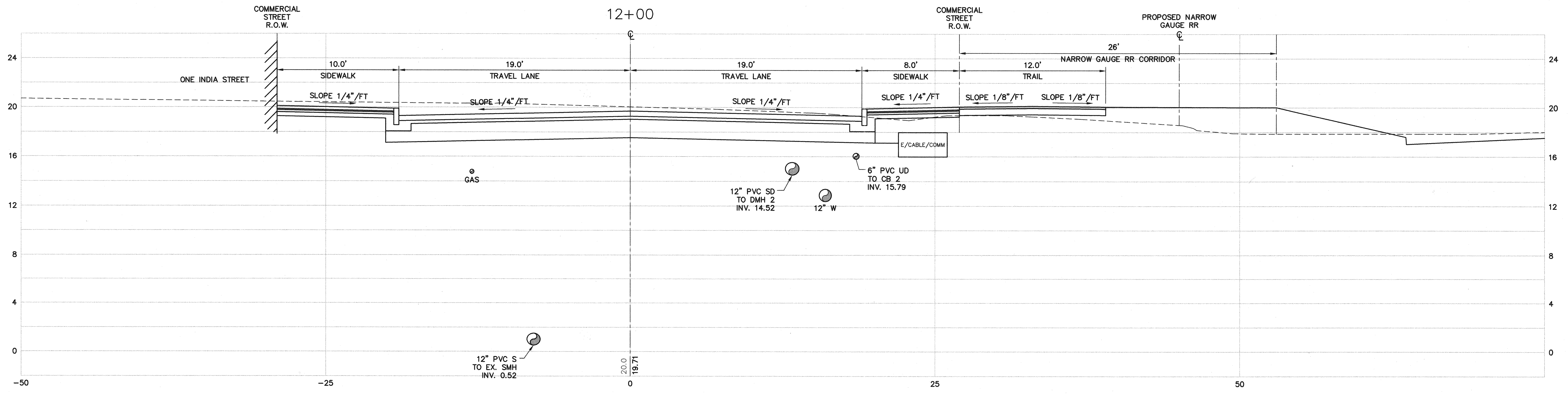
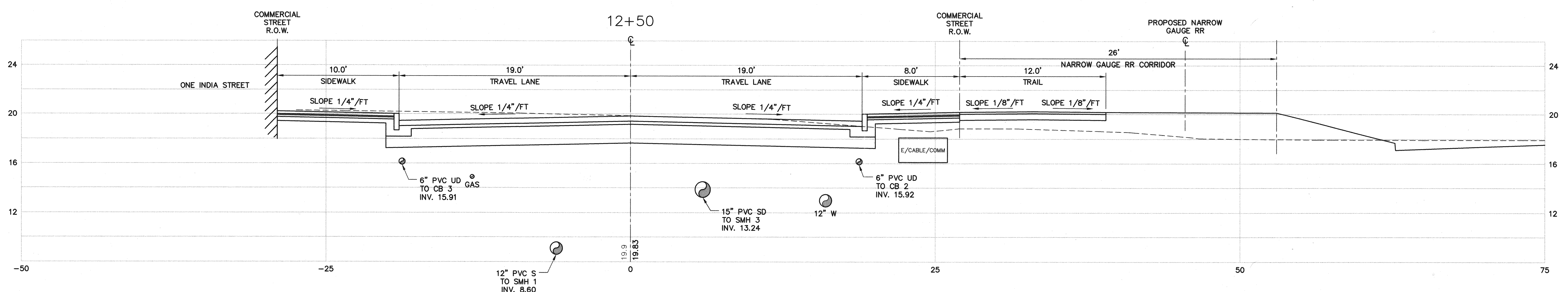
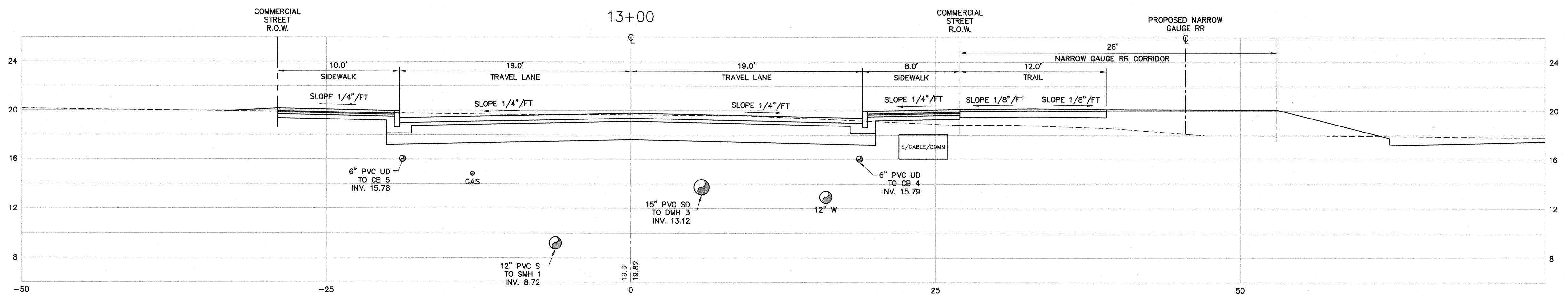
Barry S. Sheff
SIGNATURE
9708
P.E. NUMBER
rel/ef
DATE

PROJ. MANAGER	PAUL POTTLE	BY	DATE
DESIGN--DETAILED	DAS	ABC	10/11/04
CHECKED--REVIEWED	DAS	BSS	10/11/04
DESIGN2--DETAILED2			
DESIGN3--DETAILED3			
REVISIONS 1			
REVISIONS 2			
REVISIONS 3			
REVISIONS 4			
FIELD CHANGES			

CITY OF PORTLAND
OCEAN GATEWAY PHASE 1
COMMERCIAL STREET CROSS SECTIONS
STA. 12+00 TO STA. 13+00

C301

32 OF 288



BAR SCALE
1" = 5'
CHECK GRAPHIC SCALE BEFORE USING
MLLW = 0.00 FT = -4.57 FT NGVD 1929 (CITY DATUM)